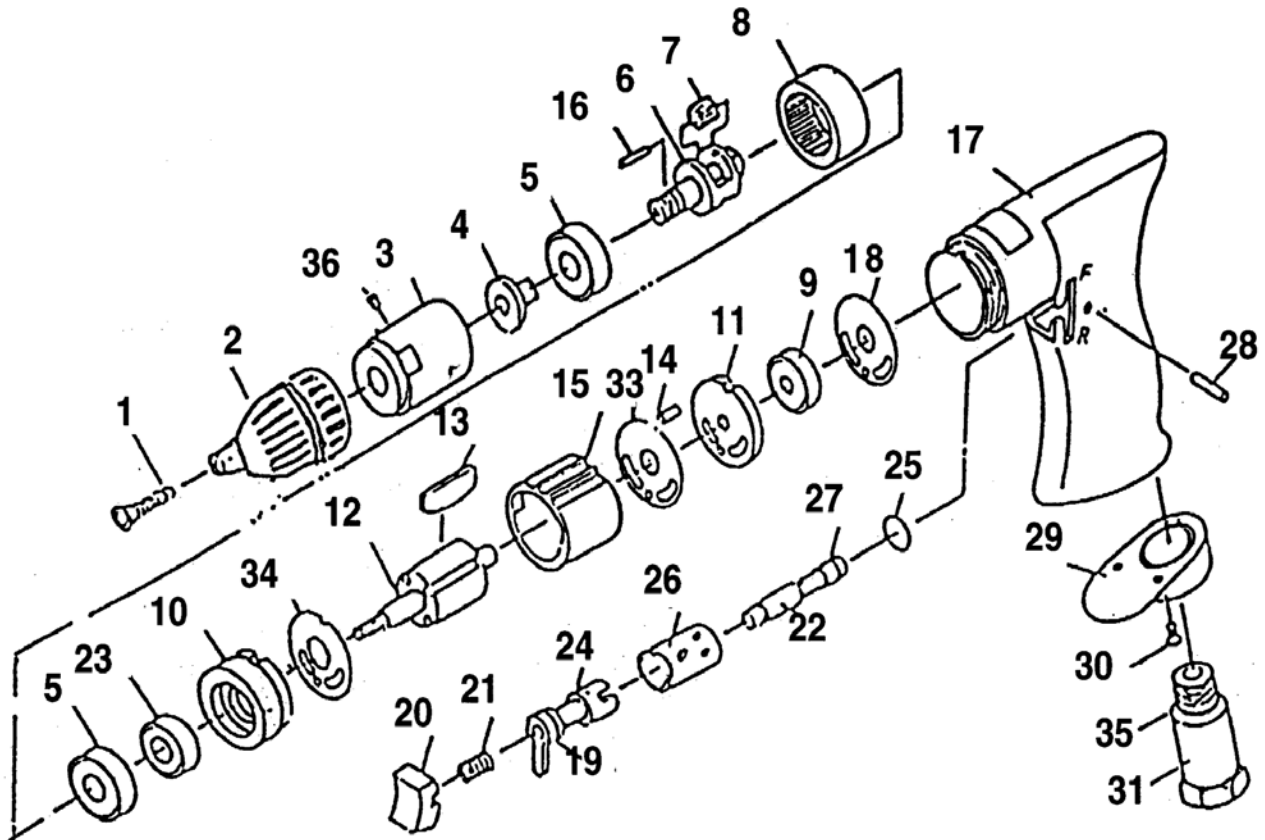


AD380HDR 3/8" Heavy Duty Reversible Drill Product # 404419



REF PART NUMBER	DESCRIPTION	REQ	REF PART NUMBER	DESCRIPTION	REQ
1	PUT-AD380HDR-01 AD380HDR CHUCK SCREW	1	18	PUT-AD380HDR-18 AD380HDR MOTOR GASKET	1
2	PUT-AD380HDR-02 AD380HDR DRILL KEYLESS CHUCK	1	19	PUT-AD380HDR-19 AD380HDR VALVE BUSHING SEAL	1
3	PUT-AD380HDR-03 AD380HDR GEAR CASE HOUSING	1	20	PUT-AD380HDR-20 AD380HDR TRIGGER CAST	1
4	PUT-AD380HDR-04 AD380HDR PHEONLIC WASHER	1	21	PUT-AD380HDR-21 AD380HDR VALVE SPRING	1
5	PB6001-2Z AD380HDR B/BRG	2	22	PUT-AD380HDR-22 AD380HDR THROTTLE VALVE	1
6	PUT-AD380HDR-06 AD380HDR PLANET CARRIER	1	23	PUT-AD380HDR-23 AD380HDR B/BRG:USE PB608-2Z	1
7	PUT-AD380HDR-07 AD380HDR PLANET GEAR	2	24	PUT-AD380HDR-24 AD380HDR REVERSE VALVE	1
8	PUT-AD380HDR-08 AD380HDR INTERNAL GEAR	1	25	PUT-AD380HDR-25 AD380HDR O-RING	1
9	PB626-2Z AD380HDR B/BRG	1	26	PUT-AD380HDR-26 AD380HDR REVERSE VALVE BSG	1
10	PUT-AD380HDR-10 AD380HDR BEARING PLATE	1	27	PUT-AD380HDR-27 AD380HDR O-RING	1
11	PUT-AD380HDR-11 AD380HDR END PLATE	1	28	PUT-AD380HDR-28 AD380HDR PIN	1
12	PUT-AD380HDR-12 AD380HDR ROTOR	1	29	PUT-AD380HDR-29 AD380HDR EXHAUST DIFFUSER	1
13	PUT-AD380HDR-13 AD380HDR ROTOR BLADE (5)	5	30	PUT-AD380HDR-30 AD380HDR SCREW	2
14	PUT-AD380HDR-14 AD380HDR PIN	1	31	PUT-AD380HDR-31 AD380HDR AIR INLET	1
15	PUT-AD380HDR-15 AD380HDR CYLINDER	1	33	PUT-AD380HDR-33 AD380HDR STEEL PLATE REAR	1
16	PUT-AD380HDR-16 AD380HDR PLANET GEAR SHAFT	2	34	PUT-AD380HDR-34 AD380HDR STEEL PLATE FRONT	1
17	PUT-AD380HDR-17 AD380HDR MOTOR HOUSING	1	35	PUT-AD380HDR-35 AD380HDR O-RING	1
			36	PUT-AD380HDR-36 AD380HDR GREASE CAP	1