

# Installation / Operating / Maintenance Instructions

## Filter

Prod. No. 408878, 408879

### Specifications

Model	AFH34	AFH1
Port size	3/4	1
Max. supply pressure	140 psi (10 bar)	
Installation	Vertical (as shown)	
Medium	Compressed air - Filtered	
Ambient / media temperature	5° - 60° C (41° - 140° F)	
Bowl material	Polycarbonate	

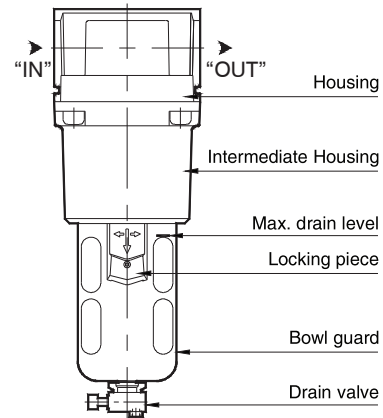


fig. 1

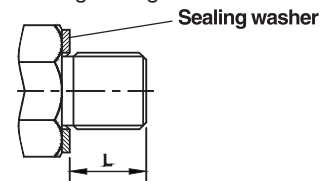
### Important

Since this equipment is used in compressed air line, proper precautions are to be taken for safety.

### Installation Instructions

1. Install in a clean / acid free environment.
2. Before installation of the unit, check whether the unit is as per the specification - especially the port size and the corresponding fittings to be used on the unit.
3. Flush the piping for dirt, dust, rust and other foreign particles.
4. The arrow mark ► on the top of the housing indicates the flow direction, Inlet ► Outlet (If the unit is connected in the reverse direction the unit will not function properly)
5. Use proper thread seals for (R) taper thread nipple, or face washer for (G) parallel thread nipple.
6. Tighten the piping / nipples to the housing ports using proper tools. Do not over torque when tightening.
7. When using (G) parallel thread nipples, check the length of the thread.

Thread Size	Tightening torque, Lb / in (Nm)	Length (L) of thread
G3/4	300 - 354 (34 - 40)	15mm max
G1	398 - 460 (45 - 52)	18mm max



Length of G parallel thread

8. To prevent the condensate splashing all over the place, the M5 thread provided in the drain valve can be used to take the condensate out through tubing.

### Operating Instructions

1. For draining the condensate water collected in the bowl ( 9.1.1 ), press the knob of the Drain valve ( see fig.3 ).
2. It is advisable to drain the bowl every day. The frequency of draining can be decided based on the condensate collection. However, take care that the condensate level does not cross the " Max. level " marked on the bowlguard.

### Maintenance instructions

- a. Before dismantling the unit, exhaust the air in the line completely.
- b. To clean the filter element ( 5 ) and the bowl ( 9.1.1 )  
 Removing the bowl guard ( 9.3 ) : Lift the bowl guard ( 9.3 ) upwards, pull down the locking piece ( 9.3.1 ), Turn the bowl guard by 45° & pull down.  
 Dismantle the components and clean the filter element in kerosene and blow with compressed air. Clean the bowl with soap water or neutral detergent. Do not use thinner, kerosene, petrol, synthetic oil, trichloroethylene or other aromatic hydrocarbons.  
 ( Polycarbonate bowl may get damaged and possibly fail if exposed to these solvents ).
- c. Check for damages in the 'O' rings ( 7 ), ( 9.1.2 ), ( 9.2.3 ) and other parts. Replace if needed ( or ) clean and reassemble.
- d. For assembly of the unit: : apply NLGI Grade 2 grease on the 'O' rings ( 7 ), ( 9.1.2 ), ( 9.2.3 ) and on the surface of the housing where the 'O' ring enters the housing ( 1 ). Reassemble all the components.  
 Assembling the bowl guard ( 9.3 ) : Position the top flange lug portion of the bowl guard ( 9.3 ) to the corresponding slots in the housing ( 1 ). Push the bowl guard fully into the housing. Turn the bowl guard 45° till the locking piece ( 9.3.1 ) enters into the housing slot fully.

**Assembly / Spare Parts List**

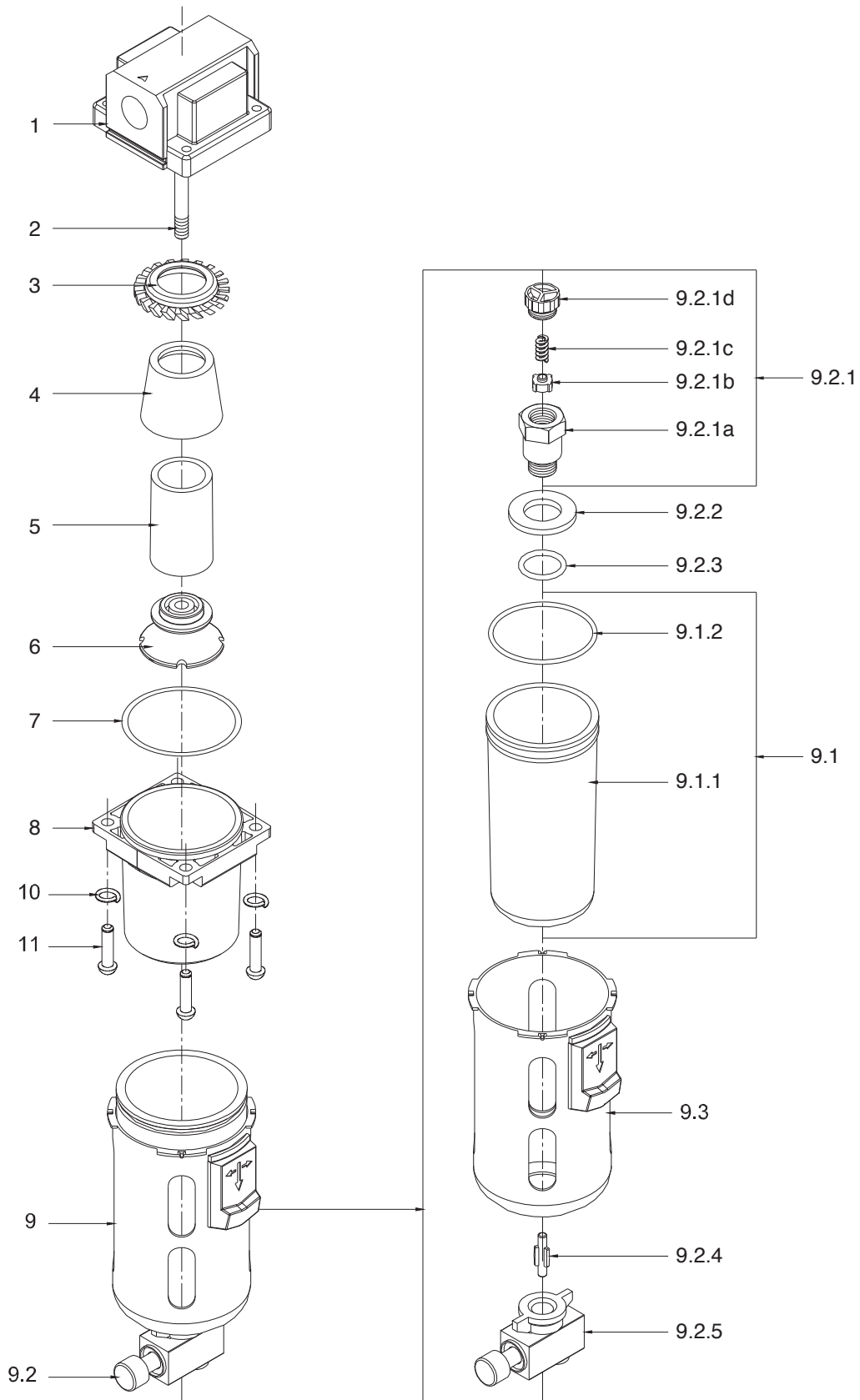


Fig. 2

## Spare Parts List Filter

Ref No	No off	Part name / Ref. No	Ordering No. for
			AFH34 / AFH1
1	1	Housing	-
2	1	Stud	-
3	1	Separator	782018
4	1	Shield	762001
5	1	<b>Filter element</b>	
		Filter element - 5 microns	582049
		Filter element - 25 microns	582050
		Filter element - 40 microns	582051
		Filter element - 50 microns	582052
		Filter element - 100 microns	582053
6		Filter holder	712013
7	1	'O' ring	651119
8	1	Intermediate housing	-
9.1	1	<b>Bowl assembly</b>	LA2002
9.1.1	1	Bowl	732004
9.1.2	1	'O' ring	650110
9.2	1	<b>Drain valve assembly *</b>	SC2004
9.2.1	1	Gland assembly	SA2009
9.2.1a	1	Gland	-
9.2.1b	1	Valve seat	-
9.2.1c	1	Spring	-
9.2.1d	1	Spring guide nut	-
9.2.2	1	Sealing washer	-
9.2.3	1	'O' ring	650121
9.2.4	1	Actuator	722001
9.2.5	1	Stem housing assembly	SA2002
9.3	1	Bowl guard	-
9.3.1	1	Locking piece	-
10	4	Spring washer	-
11	4	Socket button head cap screw	-

Denotes for ordering items. For example, **Bowl with 'O' ring (9.1)** will be supplied as kit consisting of Bowl (9.1.1), 'O' ring (9.1.2) accordingly.

\* (9.2 - Drain valve assembly) - Serviceable type

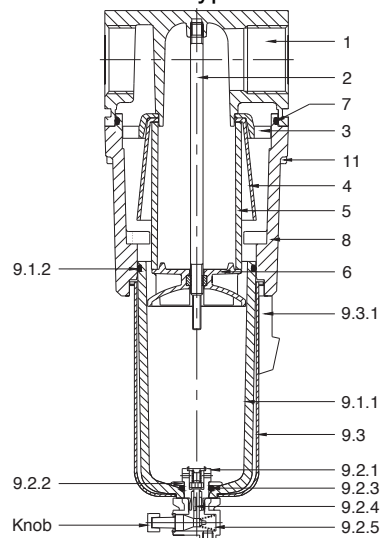


Fig. 3

## Trouble shooting

TROUBLE	CAUSE	SOLUTION
1. Restricted air flow	Filter element (5) clogged	Clean the filter element or replace
2. Water level not visible	Dirt on the inner surface of the bowl (9.1.1)	Clean the bowl
3. Air leaks at housing (1) and Intermediate housing (8)	'O' ring (7) damaged	Replace the 'O' ring (7)
4. Air leaks at Intermediate housing (8) and bowl guard (9.3)	'O' ring (9.1.2) damaged	Replace the 'O' ring (9.1.2)
5. Air leaks at the bottom of the bowl (9.1.1)	'O' ring (9.2.3) damaged	Replace the 'O' ring (9.2.3)
6. Air leaks continuously through the drain valve (9.2)	1. Valve seat damaged (9.2.1b)	1. Replace the drain valve assembly (9.2)
	2. Dust in valve seat (9.2.1b)	2. Clean the valve seat & reassemble
7. The knob of drain valve does not return	Valve components stuck	Pull the knob and operate. If the valve gets stuck again - Replace the drain valve assembly (9.2)
8. Leakage in the bowl	Bowl broken	Change the bowl

### How to order spare parts:

Mention the spare parts and model numbers as given in the tables.

Example: 'O' ring 650110 for AFH34

Subject to change

Pour l'information en français, visitez notre site Web : [www.jetequipment.com/fr/](http://www.jetequipment.com/fr/)