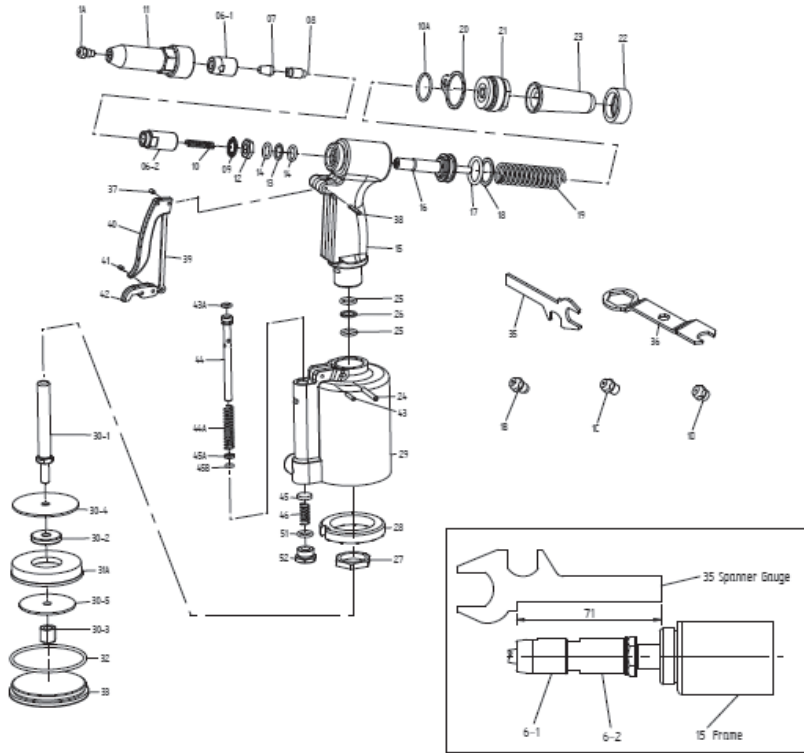


# Air Riveter - Heavy Duty

Prod. No. 409005 Mod. No. AR316HDA



No.	Description	Qty.	No.	Description	Qty.	No.	Description	Qty.
1A	Nosepiece (3/16") 4.8mm	1	19	Return Spring	1	35	Spanner Gauge	1
1B	Nosepiece (5/32") 4.0mm	1	20	Hanging Clip	1	36	Spanner	1
1C	Nosepiece (1/8") 3.2mm	1	21	Frame Cap	1	37	Trigger Pin	1
1D	Nosepiece (3/32") 2.4mm	1	22	Frame Cap Nut	1	38	Connector	1
6-1	Jaw Case Front	1	23	Safety Cap	1	39	Trigger Rod	1
6-2	Jaw Case End	1	24	Setting Screw Pin	1	40	Trigger	1
07	Jaw	Set	25	Back Up O Ring	2	41	Connector	1
08	Jaw Pusher	1	26	Back Up Ring	1	42	Trigger Lever	1
09	Case Washer Ring	1	27	Frame Lock Nut	1	43	Lever Pin	1
10	Jaw Pusher Spring	1	28	Rubber Cushion	1	43A	Valve Pusher O Ring	1
10A	Frame Cap O Ring	1	29	Air Cylinder	1	44	Valve Pusher	1
11	Frame Head	1	30-1	Air Piston Stem	1	44A	Valve Spring	1
12	Case Lock Nut	1	30-2	Air Piston Ai	1	45	Valve	1
13	Back Up Ring	1	30-3	Air Piston Lock Nut	1	45A	Valve Collar	1
14	Back Up O Ring	2	30-4	Big Iron Plate	1	45B	Collar O Ring	1
15	Frame	1	30-5	Small Iron Plate	1	46	Valve Spring	1
16	Oil Piston	1	31A	Air Piston O Ring	1	51	Valve Cap O Ring	1
17	Oil Piston O Ring	1	32	Cylinder O Ring	1	52	Valve Cap	1
18	Back Up Ring	1	33	Cylinder Cap	1			