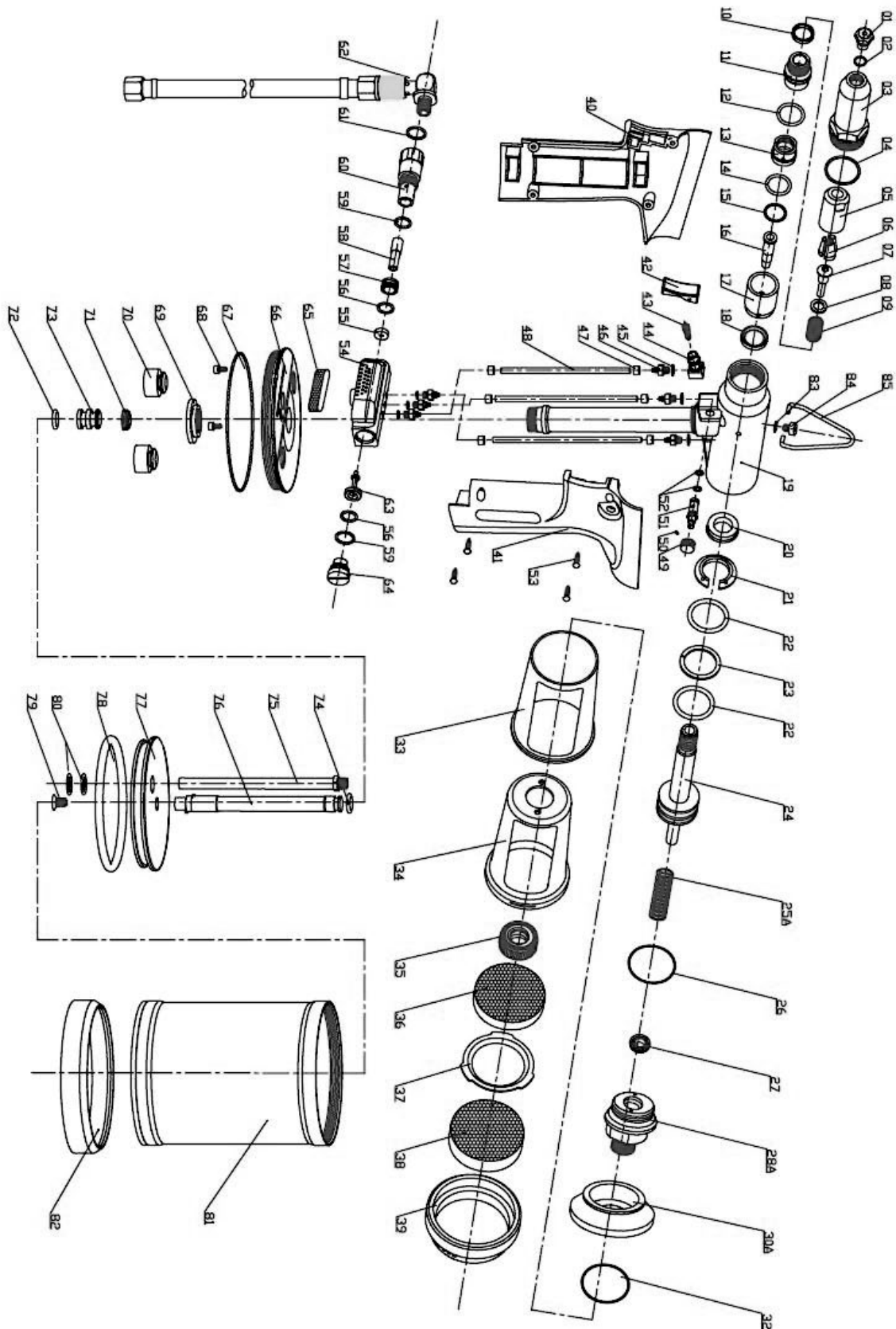


AR316SD 3/16" Air Riveter – Super Heavy Duty # 409007



REF	PART NO.	DESCRIPTION	REQ	REF	PART NO.	DESCRIPTION	REQ
01	PNH-AR316SD-01	NOSEPIECE2.4	1	44	PNH-AR316SD-44	ON/OFF BASE	1
01	PNH-AR316SD-01	NOSEPIECE3.2	1	NS	PNH-AR316SD-AVBA	AIR VALVE BODY ASSY 45,46,54,55,56,57,58, 59,60,63,64,65,75	1
			1				1
01	PNH-AR316SD-01	NOSEPIECE4.0	1	45	PNH-AR316SD-45	O RING	6
01	PNH-AR316SD-01	NOSEPIECE4.8	1	46	PNH-AR316SD-46	AIR INTERFACE	6
02	PNH-AR316SD-02	O-RING	1	47	PNH-AR316SD-47	SHROUD RING	6
03	PNH-AR316SD-03	OUTER SLEEVE	1	48	PNH-AR316SD-48	AIR TUBE	1
04	PNH-AR316SD-04	O RING	1	49	PNH-AR316SD-49	REGULATION BUTTON	3
05	PNH-AR316SD-05	JAW CASE	1	50	PNH-AR316SD-50	RETAINING SCREW	1
06	PNH-AR316SD-06	JAWS 3PCS	1	51	PNH-AR316SD-51	VACUUM VALVE	1
07	PNH-AR316SD-07	PUSHER	1	52	PNH-AR316SD-52	O RING	2
08	PNH-AR316SD-08	WASHER	1	53	PNH-AR316SD-53	TAPPING SCREW	6
09	PNH-AR316SD-09	SPRING	1	54	PNH-AR316SD-54	AIR VALVE BODY	1
10	PNH-AR316SD-10	LOCK RING	1	55	PNH-AR316SD-55	AIR VALVE RING	2
11	PNH-AR316SD-11	FRONT HOUSING	1	56	PNH-AR316SD-56	O RING	1
12	PNH-AR316SD-12	POLYURETHANE RING	1	57	PNH-AR316SD-57	AIR VALVE BASE	1
13	PNH-AR316SD-13	SET NUT	1	58	PNH-AR316SD-58	SUBORDINATE TUBE	2
14	PNH-AR316SD-14	POLYURETHANE RING	1	59	PNH-AR316SD-59	O RING	1
15	PNH-AR316SD-15	O RING	1	60	PNH-AR316SD-60	CONNECTING BASE	1
16	PNH-AR316SD-16	VACUUM TUBE	1	61	PNH-AR316SD-61	O RING	1
17	PNH-AR316SD-17	PLASTIC SEALING RING	1	62	PNH-AR316SD-62	ON/OFF ASSEMBLY	1
18	PNH-AR316SD-18	SEALING RING	1	63	PNH-AR316SD-63	VALVE ROD	1
19	PNH-AR316SD-19	HEAD ASSEMBLY	1	64	PNH-AR316SD-64	SCREW PLUG	1
20	PNH-AR316SD-20	U RING	1	65	PNH-AR316SD-65	SILENCER	1
21	PNH-AR316SD-21	RETAINING NUT	2	66	PNH-AR316SD-66	CYLINDER COVER	1
22	PNH-AR316SD-22	O RING	1	67	PNH-AR316SD-67	O RING	2
23	PNH-AR316SD-23	U RING	1	68	PNH-AR316SD-68	HEX HEAD SCREW	1
24	PNH-AR316SD-24	OIL PISTON	1	69	PNH-AR316SD-69	LOCK NUT	2
25A	PNH-AR316SD-25A	RESTORE SPRING	1	70	PNH-AR316SD-70	BUFFER	1
26	PNH-AR316SD-26	O RING	1	71	PNH-AR316SD-71	LIP SEAL	1
27	PNH-AR316SD-27	LIP SEAL	1	72	PNH-AR316SD-72	O RING	1
28A	PNH-AR316SD-28A	END CAP	1	73	PNH-AR316SD-73	AIR TUBE PISTON	1
32	PNH-AR316SD-32	O RING	1	74	PNH-AR316SD-74	PISTON RING	1
30A NS	PNH-AR316SD-30A PNH-AR316SD-5CA	STEM COLLECTOR ADAPTOR STEM COL ASSY INCL # 33,34,35,36,37,38,39	1	75	PNH-AR316SD-75	TRANSFER TUBE	1
			1	76	PNH-AR316SD-76	PISTON ROD	1
33	PNH-AR316SD-33	COLLECTOR OUTER	1	77	PNH-AR316SD-77	PISTON	1
34	PNH-AR316SD-34	COLLECTOR BODY	1	78	PNH-AR316SD-78	O RING	1
35	PNH-AR316SD-35	SET NUT	1	79	PNH-AR316SD-79	BOLT	2
36	PNH-AR316SD-36	SILENCER	1	80	PNH-AR316SD-80	O RING	1
37	PNH-AR316SD-37	BOARD	1	81	PNH-AR316SD-81	CYLINDER	1
38	PNH-AR316SD-38	SILENCER	1	82	PNH-AR316SD-82	BASE COVER	1
39	PNH-AR316SD-39	END CAP	1	83	PNH-AR316SD-83	BONDED SEAL	1
40/41	PNH-AR316SD-40/41	HANDLE	1	84	PNH-AR316SD-84	SEAL SCREW	1
42	PNH-AR316SD-42	TRIGGER	1	85	PNH-AR316SD-85	HOOK	1
43	PNH-AR316SD-43	TRIGGER VALVE	1				