

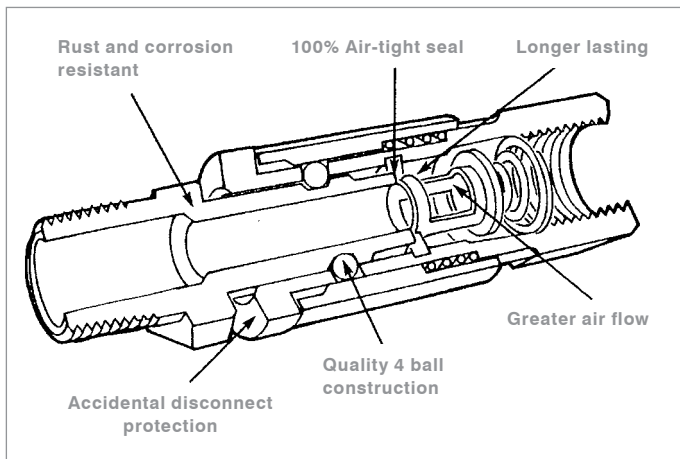
AIR TOOL FITTINGS

420051 - 421651

JET COUPLER AND PLUG FEATURES,
APPLICATIONS AND SPECIFICATIONS;

Common Features

- Couplers have deep knurled socket sleeves and a "4-Ball-Positive-Locking" mechanism.
- Couplers and plugs made from "Zinc-Plated" steel to prevent rust from a moisture rich environment.
- 1/4" Body x 1/4" NPT thread except where specified.



Applications

- General air service
- Pneumatic tools

Specifications

- Maximum Working Pressure - 150PSI
- Air Flow – 35 SCFM at 100 PSIG inlet with 10 PSIG pressure drop
- Operating Temperature Range: -40°F to 225°F (-20°C to 107°C)

How to Identify Plug Designs

Our Standard Sleeve Type Couplers and Plugs are manufactured to ensure interchangeability with other makes of couplers and plugs. The "type" of plug and coupler determines if it is interchangeable with other makes, different "types" can't be interchanged, as they fit improperly, or will not fit, and are therefore unsafe for use.

"I/M" Industrial / Automotive Type Plug



- This type of plug has been adopted by all major manufacturers.
- To identify this plug, look for the 3/16" tip
- "V" shape, flat bottom ball groove.
- Complies with ANSI T3.20.14 dimensions.



"T" Automotive Type Plug



- This type of plug has the shortest tip compared to the other types of plugs.
- It has the widest section between the ball groove and the tip.
- This design has a thick sealing surface around the tip, which provides better sealing and longer seal life.



"A" Type Plug



- To identify this plug, look for the 5/16" tip.
- "Round" shape bottom ball groove.



"L" Type Plug



- This is the most easily identified plug due to its long 3/4" tip.
- Because of this tip length it can only be used with a matching "L" style coupler.
- "Round" shape bottom ball groove.



"T" Automotive Type

1/4" Body x 1/4" NPT Thread

- Accepts 1/4" NPT "T" Automotive type plug

PROD. NO.	MOD. NO.	Description	Type / Thread	Material	Packaging	Pieces
420351	TCF1414	Coupler	Female NPT	Steel	Blister/Card	1
420352	TCM1414	Coupler	Male NPT	Steel	Blister/Card	1
420301	TPM1414	Plug	Male NPT	Steel	Blister/Card	2
420302	TPF1414	Plug	Female NPT	Steel	Blister/Card	2



T TYPE
COUPLER - MALE



T TYPE
COUPLER - FEMALE

"T" Type Air Fitting Set 1/4"

PROD. NO.	MOD. NO.	Set Includes	Material	Packaging	Pieces
420391	T5PCS	1pc Coupler Female 3pc Plug Male 1pc Plug Female	Steel	Blister/Card	5



T TYPE
PLUG - MALE



T TYPE
PLUG - FEMALE

"A" Type

1/4" Body x 1/4" NPT Thread

- Accepts 1/4" NPT "A" type plug

PROD. NO.	MOD. NO.	Description	Type / Thread	Material	Packaging	Pieces
420651	ACF1414	Coupler	Female NPT	Steel	Blister/Card	1
422651	ACF1414B	Coupler	Female NPT	Steel	Bulk	10
420652	ACM1414	Coupler	Male NPT	Steel	Blister/Card	1
420601	APM1414	Plug	Male NPT	Steel	Blister/Card	2
422601	APM1414B	Plug	Male NPT	Steel	Bulk	20
420602	APF1414	Plug	Female NPT	Steel	Blister/Card	2
422602	APF1414B	Plug	Female NPT	Steel	Bulk	20



A TYPE
COUPLER - MALE



A TYPE
COUPLER - FEMALE

"A" Type Air Fitting Set 1/4"

PROD. NO.	MOD. NO.	Set Includes	Material	Packaging	Pieces
420691	A5PCS	1pc Coupler Female 3pc Plug Male 1pc Plug Female	Steel	Blister/Card	5



A TYPE
PLUG - MALE



A TYPE
PLUG - FEMALE