

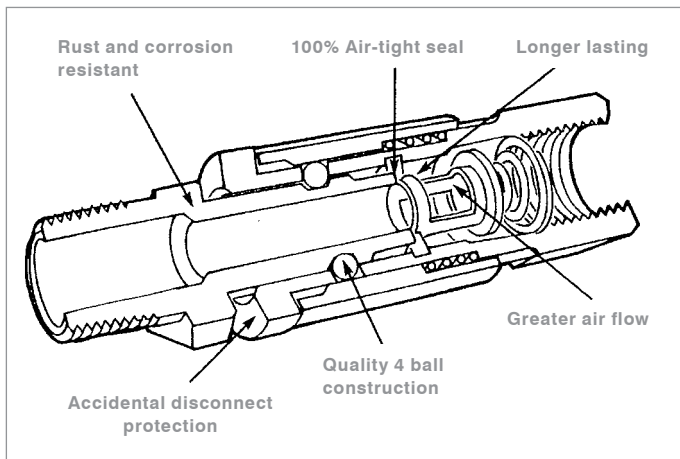
AIR TOOL FITTINGS

420051 - 421651

JET COUPLER AND PLUG FEATURES,
APPLICATIONS AND SPECIFICATIONS;

Common Features

- Couplers have deep knurled socket sleeves and a “4-Ball-Positive-Locking” mechanism.
- Couplers and plugs made from “Zinc-Plated” steel to prevent rust from a moisture rich environment.
- 1/4" Body x 1/4" NPT thread except where specified.



Applications

- General air service
- Pneumatic tools

Specifications

- Maximum Working Pressure - 150PSI
- Air Flow – 35 SCFM at 100 PSIG inlet with 10 PSIG pressure drop
- Operating Temperature Range: -40°F to 225°F (-20°C to 107°C)

How to Identify Plug Designs

Our Standard Sleeve Type Couplers and Plugs are manufactured to ensure interchangeability with other makes of couplers and plugs. The “type” of plug and coupler determines if it is interchangeable with other makes, different “types” can’t be interchanged, as they fit improperly, or will not fit, and are therefore unsafe for use.

“I/M” Industrial / Automotive Type Plug



- This type of plug has been adopted by all major manufacturers.
- To identify this plug, look for the 3/16" tip
- “V” shape, flat bottom ball groove.
- Complies with ANSI T3.20.14 dimensions.



“T” Automotive Type Plug



- This type of plug has the shortest tip compared to the other types of plugs.
- It has the widest section between the ball groove and the tip.
- This design has a thick sealing surface around the tip, which provides better sealing and longer seal life.



“A” Type Plug



- To identify this plug, look for the 5/16" tip.
- “Round” shape bottom ball groove.



“L” Type Plug



- This is the most easily identified plug due to its long 3/4" tip.
- Because of this tip length it can only be used with a matching “L” style coupler.
- “Round” shape bottom ball groove.



DISTRIBUTORS:

Please note: Products supplied in blister packs are sold as a single unit. Products sold in bulk packs are sold by the each but must be ordered in bulk pack quantities (i.e. 10 or 20) or multiples thereof. Bulk packs will not be sold in less than package quantities.



I/M TYPE
COUPLER - MALE



I/M TYPE
COUPLER - FEMALE



I/M TYPE
PLUG - MALE



I/M TYPE
PLUG - FEMALE



L TYPE
COUPLER - FEMALE



L TYPE
PLUG - FEMALE



L TYPE
PLUG - MALE

“I/M” Industrial / Automotive Type

1/4" Body x 1/4" NPT Thread

- Accepts 1/4" NPT Industrial type plug

PROD. NO.	MOD. NO.	Description	Type / Thread	Material	Packaging	Pieces
420051	ICF1414	Coupler	Female NPT	Steel	Blister/Card	1
422051	ICF1414B	Coupler	Female NPT	Steel	Bulk	10
420052	ICM1414	Coupler	Male NPT	Steel	Blister/Card	1
420001	IPM1414	Plug	Male NPT	Steel	Blister/Card	2
422001	IPM1414B	Plug	Male NPT	Steel	Bulk	20
420002	IPF1414	Plug	Female NPT	Steel	Blister/Card	2
422002	IPF1414B	Plug	Female NPT	Steel	Bulk	20

“I/M” Type Air Fitting Sets 1/4"

PROD. NO.	MOD. NO.	Set Includes	Material	Packaging	Pieces
420091	I5PCS	1pc Coupler Female 3pc Plug Male 1pc Plug Female	Steel	Blister/Card	5
420092	I2PCS	1pc Coupler Female 1pc Plug Male	Steel	Blister/Card	2

1/4" Body x 3/8" NPT Thread

- Accepts 3/8" NPT Industrial type plug

PROD. NO.	MOD. NO.	Description	Type / Thread	Material	Packaging	Pieces
420151	ICF1438	Coupler	Female NPT	Steel	Blister/Card	1
420152	ICM1438	Coupler	Male NPT	Steel	Blister/Card	1
420101	IPM1438	Plug	Male NPT	Steel	Blister/Card	2
420102	IPF1438	Plug	Female NPT	Steel	Blister/Card	2

“L” Type

1/4" Body x 1/4" NPT Thread

- Accepts 1/4" NPT “L” type plug

PROD. NO.	MOD. NO.	Description	Type / Thread	Material	Packaging	Pieces
420951	LCF1414	Coupler	Female NPT	Steel	Blister/Card	1
420901	LPM1414	Plug	Male NPT	Steel	Blister/Card	2
420902	LPF1414	Plug	Female NPT	Steel	Blister/Card	2