

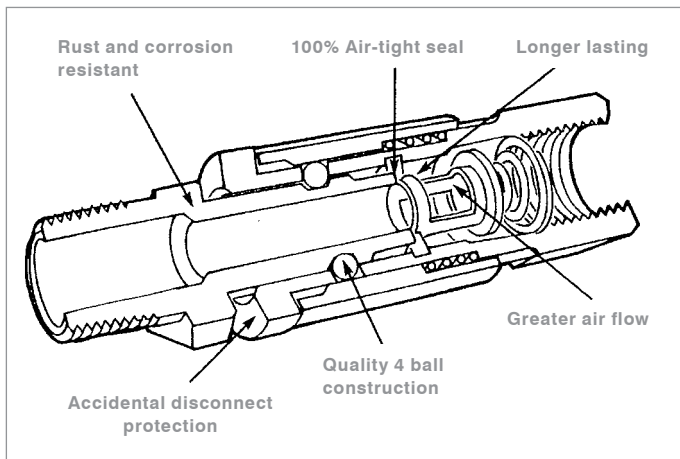
AIR TOOL FITTINGS

420051 - 421651

JET COUPLER AND PLUG FEATURES,
APPLICATIONS AND SPECIFICATIONS;

Common Features

- Couplers have deep knurled socket sleeves and a "4-Ball-Positive-Locking" mechanism.
- Couplers and plugs made from "Zinc-Plated" steel to prevent rust from a moisture rich environment.
- 1/4" Body x 1/4" NPT thread except where specified.



Applications

- General air service
- Pneumatic tools

Specifications

- Maximum Working Pressure - 150PSI
- Air Flow – 35 SCFM at 100 PSIG inlet with 10 PSIG pressure drop
- Operating Temperature Range: -40°F to 225°F (-20°C to 107°C)

How to Identify Plug Designs

Our Standard Sleeve Type Couplers and Plugs are manufactured to ensure interchangeability with other makes of couplers and plugs. The "type" of plug and coupler determines if it is interchangeable with other makes, different "types" can't be interchanged, as they fit improperly, or will not fit, and are therefore unsafe for use.

"I/M" Industrial / Automotive Type Plug



- This type of plug has been adopted by all major manufacturers.
- To identify this plug, look for the 3/16" tip
- "V" shape, flat bottom ball groove.
- Complies with ANSI T3.20.14 dimensions.



"T" Automotive Type Plug



- This type of plug has the shortest tip compared to the other types of plugs.
- It has the widest section between the ball groove and the tip.
- This design has a thick sealing surface around the tip, which provides better sealing and longer seal life.



"A" Type Plug



- To identify this plug, look for the 5/16" tip.
- "Round" shape bottom ball groove.



"L" Type Plug



- This is the most easily identified plug due to its long 3/4" tip.
- Because of this tip length it can only be used with a matching "L" style coupler.
- "Round" shape bottom ball groove.



“U” Universal Style Coupler

- The 1/4" Universal coupler will accept:
 - 1/4" “I/M” Industrial**
 - 1/4" “T” Automotive**
 - 1/4" “A” Type NPT style plugs**
- Automatic push-to-connect operation
- Sleeve guard protects against accidental disconnection when coupler is dragged on the floor or over obstructions
- Deep knurled socket sleeve
- Uses a “4-Ball-Positive-Locking” mechanism
- Made from “Zinc-Plated” steel to prevent rust from a moisture rich environment.

1/4" Body X 1/4" NPT Thread

PROD. NO.	MOD. NO.	Description	Kit Includes	Material	Packaging	Pieces
421251	UCF1414	Coupler	Female NPT	Steel	Blister/Card	1
421252	UCM1414	Coupler	Male NPT	Steel	Blister/Card	1



U TYPE
COUPLER - FEMALE



U TYPE
COUPLER - MALE

3-Way Connectors

FEATURES

- Supply three air tools from a single air inlet
- Not necessary to connect and disconnect for every tool change
- Made from high strength aluminum
- Maximum Inlet Pressure – 150PSI

APPLICATION

- General air service
- Pneumatic tools



PROD. NO.	MOD. NO.	Kit Includes	Material	Packaging	Pieces
421501	3WMC14	One 1/4" FNPT Inlet x Three 1/4" FNPT Outlets	Aluminum	Blister/Card	1
421601	3WMC38	One 3/8" FNPT Inlet x Three 1/4" FNPT Outlets	Aluminum	Blister/Card	1

360° Swivel Connectors

FEATURES

- Connect portable air tools to air hose
- 360° swivels in two places to prevent hose kinking & twisting
- Made from high strength aluminum & steel
- Maximum Inlet Pressure – 150PSI
- Caution – Not For Use With Percussion Tools

APPLICATION

- General air service
- Pneumatic tools



PROD. NO.	MOD. NO.	Kit Includes	Material	Packaging	Pieces
421551	SC1414	1/4" FNPT X 1/4" MNPT	Aluminum & Steel	Blister/Card	1
421651	SC3838	3/8" FNPT X 3/8" MNPT	Aluminum & Steel	Blister/Card	1

BRANCHES:

Vancouver
49 Schooner Street
Coquitlam, BC V3K 0B3
Tel: (604) 523-8665
Toll Free: 1-800-472-7685
Fax: (604) 526-5381
Toll Free: 1-800-663-7742

Edmonton
9720 – 12th Avenue SW
Edmonton, AB T6X 0J5
Toll Free:
Tel: 1-800-472-7685
Fax: 1-800-663-7742

Winnipeg
951 Powell Avenue
Winnipeg, MB R3H 0H4
Tel: (204) 632-6970
Toll Free: 1-800-665-7524
Fax: (204) 694-9534
Toll Free: 1-877-694-9534

Toronto
979 Gana Court
Mississauga, ON L5S 1N9
Tel: (905) 565-8661
Toll Free: 1-800-387-3879
Fax: (905) 565-7266
Toll Free: 1-800-267-3310

Montréal
4620, rue Garand
St. Laurent, QC H4R 2A2
Sans frais :
Tél : 1-800-363-2885
Télec : 1-800-267-3310

Halifax
110 - 11 Morris Drive
Dartmouth, NS B3B 1M2
Tel: (902) 468-8324
Toll Free: 1-800-472-7686
Fax: (902) 468-3461
Toll Free: 1-877-468-3461

®Registered trademark of JET Equipment & Tools Ltd. JET Equipment & Tools Ltd. is not responsible for typography and pricing errors. JET Equipment & Tools Ltd. reserves the right to cancel orders arising from any such errors. Prices are subject to corrections or changes without notice. We reserve the right to limit quantities. Taxes extra. JET products are only available in Canada.

