



OWNER'S MANUAL

JSG-96 Benchttop Disc/Belt Sander



(shown with optional closed stand 708597)

JET EQUIPMENT & TOOLS, INC.

A WMH Company
www.jettools.com

P.O. BOX 1349
Auburn, WA 98071-1349
e-mail jet@jettools.com

Phone: 253-351-6000
Fax: 1-800-274-6840
M-708595 07/01

This manual has been prepared for the owner and operators of a JSG-96 Sander. Its purpose, aside from machine operation, is to promote safety through the use of accepted correct operating and maintenance procedures. Completely read the safety and maintenance instructions before operating or servicing the machine. To obtain maximum life and efficiency from your Sander, and to aid in using the machine safely, read this manual thoroughly and follow instructions carefully.

Warranty & Service

The JET Group warrants every product it sells. If one of our tools needs service or repair, one of our Authorized Repair Stations located throughout the United States can give you quick service.

In most cases, any one of these JET Group Repair Stations can authorize warranty repair, assist you in obtaining parts, or perform routine maintenance and major repair on your JET, Performax or Powermatic tools.

For the name of an Authorized Repair Station in your area, please call 1-800-274-6848.

More Information

Remember, the JET Group is consistently adding new products to the line. For complete, up-to-date product information, check with your local JET Group distributor.

JET Group Warranty

The JET Group (including Performax and Powermatic brands) makes every effort to assure that its products meet high quality and durability standards and warrants to the original retail consumer/purchaser of our products that each product be free from defects in materials and workmanship as follow: 1 YEAR LIMITED WARRANTY ON ALL PRODUCTS UNLESS SPECIFIED OTHERWISE. This Warranty does not apply to defects due directly or indirectly to misuse, abuse, negligence or accidents, normal wear-and-tear, repair or alterations outside our facilities, or to a lack of maintenance.

THE JET GROUP LIMITS ALL IMPLIED WARRANTIES TO THE PERIOD SPECIFIED ABOVE, FROM THE DATE THE PRODUCT WAS PURCHASED AT RETAIL. EXCEPT AS STATED HEREIN, ANY IMPLIED WARRANTIES OR MERCHANTABILITY AND FITNESS ARE EXCLUDED. SOME STATES DO NOT ALLOW LIMITATIONS ON HOW LONG THE IMPLIED WARRANTY LASTS, SO THE ABOVE LIMITATION MAY NOT APPLY TO YOU. THE JET GROUP SHALL IN NO EVENT BE LIABLE FOR DEATH, INJURIES TO PERSONS OR PROPERTY, OR FOR INCIDENTAL, CONTINGENT, SPECIAL, OR CONSEQUENTIAL DAMAGES ARISING FROM THE USE OF OUR PRODUCTS. SOME STATES DO NOT ALLOW THE EXCLUSION OR LIMITATION OF INCIDENTAL OR CONSEQUENTIAL DAMAGES, SO THE ABOVE LIMITATION OR EXCLUSION MAY NOT APPLY TO YOU.

To take advantage of this warranty, the product or part must be returned for examination, postage prepaid, to an Authorized Repair Station designated by our office. Proof of purchase date and an explanation of the complaint must accompany the merchandise. If our inspection discloses a defect, we will either repair or replace the product, or refund the purchase price if we cannot readily and quickly provide a repair or replacement, if you are willing to accept a refund. We will return repaired product or replacement at JET'S expense, but if it is determined there is no defect, or that the defect resulted from causes not within the scope of JET'S warranty, then the user must bear the cost of storing and returning the product. This warranty gives you specific legal rights; you may also have other rights which vary from state to state.

The JET Group sells through distributors only. Members of the JET Group reserve the right to effect at any time, without prior notice, those alterations to parts, fittings, and accessory equipment which they may deem necessary for any reason whatsoever.

WARNING

Wear eye protection.

Always keep guards in place and in proper operating condition. Do not operate the machine without the guards for any reason.

This disc/belt sander is intended to be used with wood and wood products only. Use of this disc/belt sander and a dust collector with metal products is a potential fire hazard.

Support the workpiece adequately at all times during operation; maintain control of the work at all times.

This disc/belt sander is designed and intended for use by properly trained and experienced personnel only. If you are not familiar with the proper and safe operation of a disc/belt sander, do not use until proper training and knowledge has been obtained.

- **REMOVE ADJUSTING KEYS AND WRENCHES.** Form a habit of checking to see that keys and adjusting wrenches are removed from the machine before turning it on.
- **KEEP THE WORK AREA CLEAN.** Cluttered areas and benches invite accidents.
- **DON'T USE IN A DANGEROUS ENVIRONMENT.** Don't use power tools in damp or wet locations, or expose them to rain. Keep work area well lighted.
- **KEEP CHILDREN AWAY.** All visitors should be kept a safe distance from the work area.
- **MAKE THE WORKSHOP KIDPROOF** with padlocks, master swatches, or by removing starter keys.
- **DON'T FORCE THE MACHINE.** It will do the job better and safer at the rate for which it was designed.
- **USE THE RIGHT TOOL.** Don't force a machine or attachment to do a job for which it was not designed.
- **USE THE PROPER EXTENSION CORD.** Make sure your extension cord is in good condition. When using an extension cord, be sure to use one heavy enough to carry the current your machine will draw. An undersized cord will cause a drop in the line voltage resulting in power loss and overheating. The table following shows the correct size to use depending on the cord length and nameplate ampere rating. If in doubt, use the next heavier gauge. Remember, the smaller the gauge number, the heavier the cord.

Volts	Total Length of Cord in Feet			
	25	50	100	150
	AWG			
	16	16	14	12

- **WEAR PROPER APPAREL.** Do not wear loose clothing, gloves, neckties, rings, bracelets, or other jewelry which may get caught in moving parts. Non-slip footwear is recommended. Wear protective hair covering to contain long hair.
- **ALWAYS USE SAFETY GLASSES.** Also use face or dust masks if the cutting operation is dusty. Everyday eyeglasses only have impact resistant lenses; they are not safety glasses.
- **DON'T OVERREACH.** Keep proper footing and balance at all times.
- **MAINTAIN TOOLS WITH CARE.** Keep tools sharp and clean for best and safest performance. Follow instructions for lubricating and changing accessories.

- **ALWAYS DISCONNECT THE MACHINE FROM THE POWER SOURCE BEFORE SERVICING.**
- **REDUCE THE RISK OF UNINTENTIONAL STARTING.** Make sure the switch is in the off position before plugging in.
- **USE RECOMMENDED ACCESSORIES.** The use of accessories and attachments not recommended by JET may cause hazards or risk of injury to persons.
- **NEVER STAND ON A MACHINE.** Serious injury could occur if the machine is tipped.
- **CHECK DAMAGED PARTS.** Before further use of the machine, a guard or other part that is damaged should be carefully checked to determine that it will operate properly and perform its intended function - check for alignment of moving parts, binding of moving parts, breakage of parts, mounting, and any other conditions that may affect its operation. A guard or other part that is damaged should be properly repaired or replaced.
- **NEVER LEAVE THE MACHINE RUNNING UNATTENDED. TURN POWER OFF.** Don't leave the machine until it comes to a complete stop.
- **SOME DUST CREATED** by power sanding, sawing, grinding, drilling and other construction activities contains chemicals known to cause cancer, birth defects or other reproductive harm. Some examples of these chemicals are:
 - Lead from lead based paint
 - crystalline silica from bricks and cement and other masonry products, and
 - arsenic and chromium from chemically-treated lumber.
- Your risk from those exposures varies, depending on how often you do this type of work. To reduce your exposure to these chemicals: work in a well ventilated area, and work with approved safety equipment, such as those dust masks that are specifically designed to filter out microscopic particles
- **DO NOT** operate tool while under the influence of drugs, alcohol or any medication.
- **AVOID** kickback by sanding in accordance with directional arrows. Sand on downward side of disc. Sanding on the upward side could cause the workpiece to fly up causing injury.
- **SAND** with the grain of the wood.
- **DO NOT** sand pieces of material that are too small to be safely supported.
- **WHEN** sanding a large workpiece, provide additional support at table height.
- **ADDITIONAL INFORMATION** regarding the safe and proper operation of this product is available from the the National Safety Council, 1121 Spring Lake Drive, Itasca, IL 60143-3201, in the Accident Prevention Manual for Industrial Operations and also in the safety Data Sheets provided by the NSC. Please also refer to the American National Standards Institute ANSI 01.1 Safety Requirements for Woodworking Machinery and the U.S. Department of Labor OSHA 1910.213 Regulations.
- **SAVE THESE INSTRUCTIONS** refer to them often and use them to instruct others.

Grounding Instructions

Caution: This tool must be grounded while in use to protect the operator from electric shock.

In the event of a malfunction or breakdown, grounding provides a path of least resistance for electric current to reduce the risk of electric shock. This tool is equipped with an electric cord having an equipment-grounding conductor and a grounding plug. The plug must be plugged into a matching outlet that is properly installed and grounded in accordance with all local codes and ordinances.

Do not modify the plug provided. If it will not fit the outlet, have the proper outlet installed by a qualified electrician.

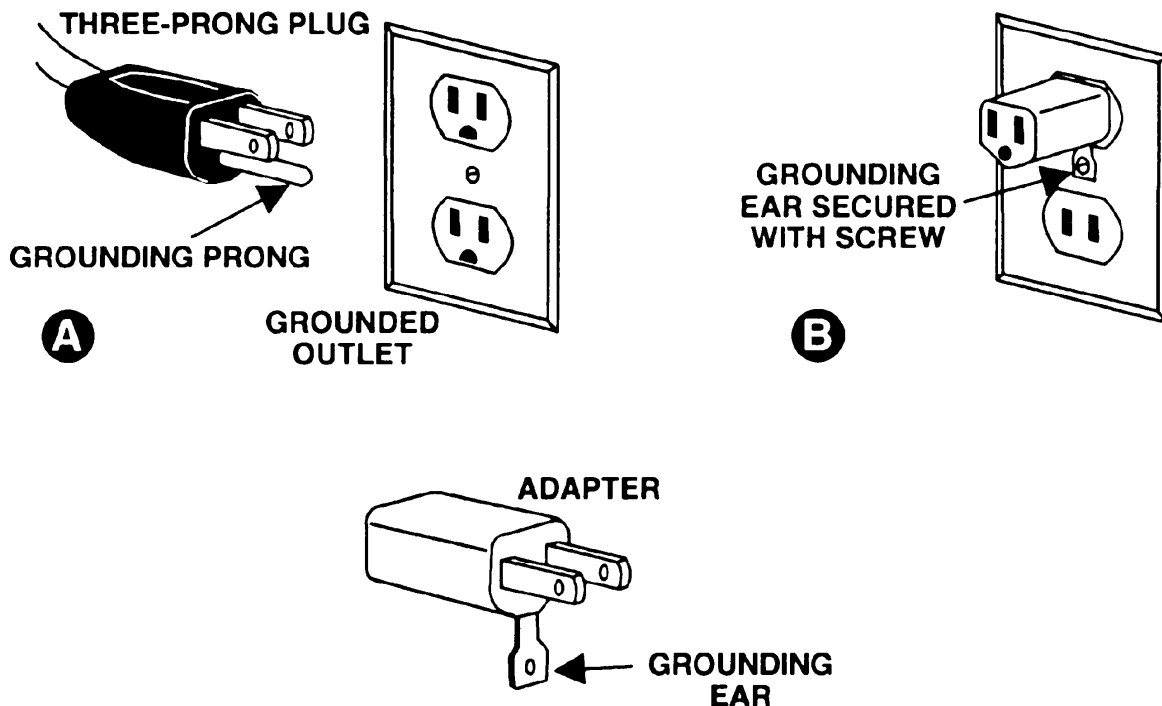
Improper connection of the equipment-grounding conductor can result in a risk of electric shock. The conductor, with insulation having an outer surface that is green with or without yellow stripes, is the equipment-grounding conductor. If repair or replacement of the electric cord or plug is necessary, do not connect the equipment-grounding conductor to a live terminal.

Check with a qualified electrician or service personnel if the grounding instructions are not completely understood, or if in doubt as to whether the tool is properly grounded. Use only three wire extension cords that have three-prong grounding plugs and three-pole receptacles that accept the tool's plug.

Repair or replace a damaged or worn cord immediately.

115 Volt Operation

As received from the factory, your sander is ready to run at 115 volt operation. This sander, when wired for 115 volt, is intended for use on a circuit that has an outlet and a plug that looks like the one illustrated in (A). A temporary adapter, which looks like the adapter as illustrated in (B), may be used to connect this plug to a two-pole receptacle, as shown in (B) if a properly grounded outlet is not available. The temporary adapter should only be used until a properly grounded outlet can be installed by a qualified electrician. **This adapter is not applicable in Canada.** The green colored rigid ear, lug, or tab, extending from the adapter, must be connected to a permanent ground such as a properly grounded outlet box, as shown in (B).



Specifications

JSG-96

Stock Number.....	708595
Sanding Belt.....	6"W x 48"L
Disc Diameter.....	9"
Table Tilt (down).....	90° - 45°
Dust Chute Diameter.....	4"
Belt Table.....	5-1/2"W x 11"L
Disc Table.....	10"W x 12"L
Motor.....	3/4HP, 115V, 60Hz, 1Ph, 4P
Belt Speed (SFPM).....	2,258
Disc Speed (RPM).....	1,725
Overall Dimensions.....	16"Lx29"Wx28-1/2"H
Net Weight (approx.).....	128 Lbs.

Table of Contents

Warranty.....	2
Warnings.....	3-4
Grounding Instructions.....	5
Specifications.....	6
Table of Contents.....	6
Contents of the Shipping Carton.....	7
Unpacking.....	7
Stand Assembly (optional).....	7
Assembly.....	8
Sanding Belt Table Adjustment.....	9
Horizontal Sanding Workstop.....	10
Sanding Belt Replacement.....	10
Belt Tracking Adjustment.....	11
Disc Table Adjustment.....	11-12
Sanding Disc Replacement.....	12
Center Point.....	12
On/Off Switch.....	12
Dust Collection.....	13
Lubrication.....	13
Optional Accessories.....	13
Troubleshooting.....	14
Parts Breakdowns & Parts List.....	15-24


The specifications in this manual are given as general information and are not binding. JET Equipment and Tools reserves the right to effect, at any time and without prior notice, changes or alterations to parts, fittings, and accessory equipment deemed necessary for any reason whatsoever.

Contents of the Shipping Carton

1. Sander
1. Sanding Belt
1. Sanding Disc
2. Tables
1. Center Point
3. Handles (one w/brass insert)
2. 5/16" Flat Washers
1. Miter Gauge
1. Owner's Manual
1. Warranty Card

Tools Required for Assembly

1. 13mm Wrench or socket (stand)
1. 12mm Wrench or socket (stand)

 **WARNING**

Read and understand the entire contents of this manual before attempting assembly or operation of the disc/belt sander!

Failure to comply may cause serious injury!

Unpacking

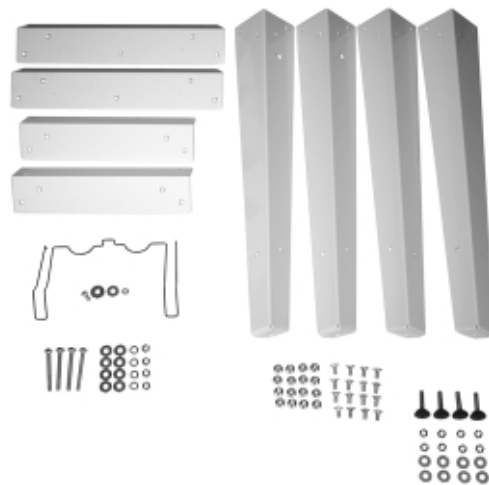
1. Remove all contents from the shipping carton.
2. Report any damage to your distributor.
3. Do not discard any shipping material until the sander has been assembled and is running properly.

Open Stand Assembly (Optional)

1. Match the hole patterns in the stand legs with the hole patterns in the stand top pieces. Mount the legs to the outside of the top pieces using sixteen 5/16"x3/8" carriage bolts and sixteen 5/16" lock nuts. Do not tighten until the stand has been assembled and is sitting level on the floor. **Note:** Flange of long top pieces overlap flange of short top pieces.
2. Install the leveling pads in the bottom hole of legs with eight 3/8" hex nuts and eight 3/8" flat washers.
3. Mount the belt rack to the stand by inserting the 90° bend through the stand and securing the rack in place with a 3/8"x3/4" hex cap bolt, two 3/8" flat washers and a 3/8" hex nut.

Closed Stand Assembly (Optional)

1. Mount the belt rack to the stand by inserting the 90° bend through the stand and securing the rack in place with a hex cap bolt, and a flat washer.



Assembly

CAUTION

Machine is heavy! Use care when lifting out of the shipping carton and moving to a final location. Stand or bench must be stable enough to support weight of machine.

1. Move the sander to a workbench or one of JET's optional stands. Bolt the unit firmly to hold in place.

JET's closed stand uses four 3/8"x2-1/2" hex cap bolts, four 3/8" lock washers and four 3/8" flat washers provided with the stand.

JET's open stand uses four 3/8"x3" hex cap bolts, four 3/8" lock washers and eight 3/8" flat washers, and four hex nuts provided with the stand.

2. Mount the sanding disc table assembly (A, Fig. 1) to the sander base. Insert the rod (B, Fig. 1) into the base and secure in place using the handle with the brass insert (C, Fig. 1). The handle should tighten against the flat portion of the rod.

3. Mount the sanding belt table (A, Fig. 2) to the sander with two locking handles (B, Fig. 2), two 5/16" flat washers. The handle stud needs to go through the upper slot, and the guide pin (C, Fig. 2 & Figure 3) located on the sander should rest in the lower slot.

Note: The belt table can be removed and the disc table can be used in its place. There are two holes in the base, below the sanding belt, that will accommodate the disc table's support rod and locking handle.

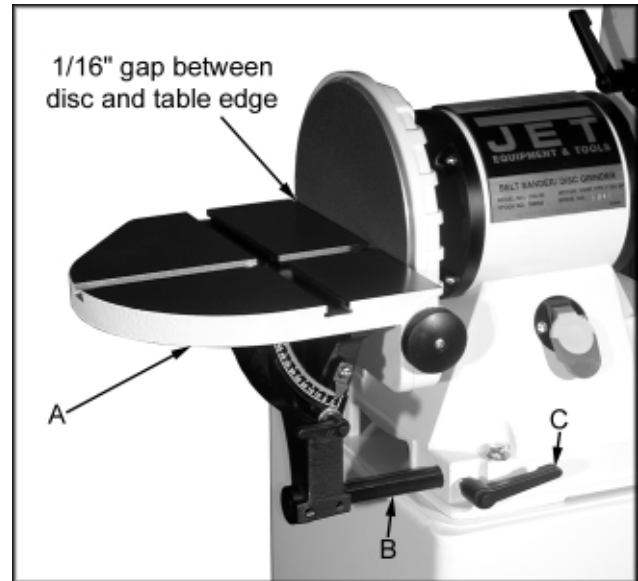


Fig. 1

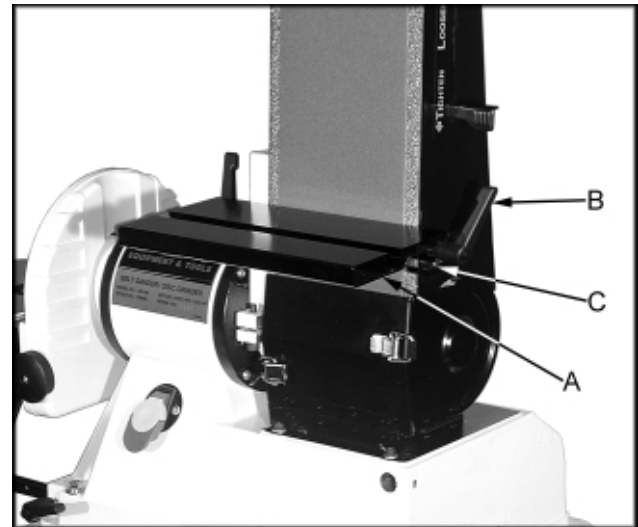


Fig. 2

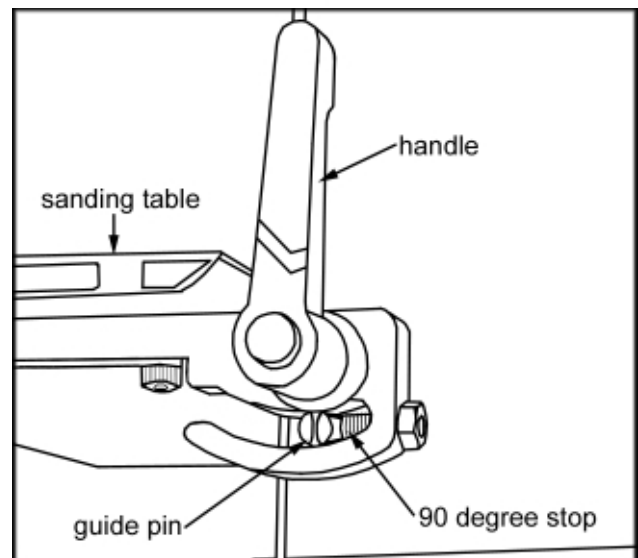


Fig. 3

Sanding Belt Table Adjustment

WARNING

Always disconnect the sander from the power source before servicing or making any adjustments.

Failure to comply may cause serious injury!

1. Place a square on the sanding belt table with one edge along the graphite pad, or sanding belt (Figure 4).
2. If the table is not square to the belt adjust the table by loosening the two locking handles. Adjust to the square position and tighten handles.
3. Place a combination square (A, Fig. 5) in the miter gauge slot (B, Fig. 5) and check the distance from the slot to the edge of the sanding belt. Slide the square along the slot to the other end of the belt and check the distance. The distances should be equal to ensure that the miter gauge travels parallel to the belt. Loosen the three socket head cap screws at the bottom of the table, which hold the table and trunnions in place to adjust the distance.
4. Always maintain a gap of approximately 1/16" between the table edge and belt. Once the table is square and parallel to the belt adjust the 90° stop. Loosen the hex nut and tighten the set screw until it contacts the guide pin, (Figure 6). Tighten the hex nut. Repeat for the other side.
5. If you need to sand at a precise angle, loosen the handles that secure the table in place. Set a combination square on the table and adjust to the desired angle. Always maintain a gap of approximately 1/16" between the table edge and belt.

Note: The belt table can be removed and the disc table can be used in its place. There are two holes in the base, below the sanding belt, that will accommodate the disc table's support rod and locking handle.

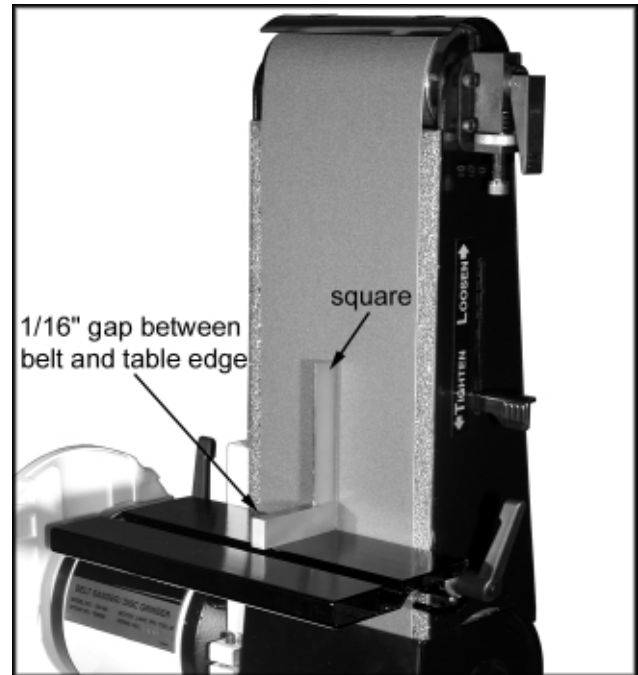


Fig. 4

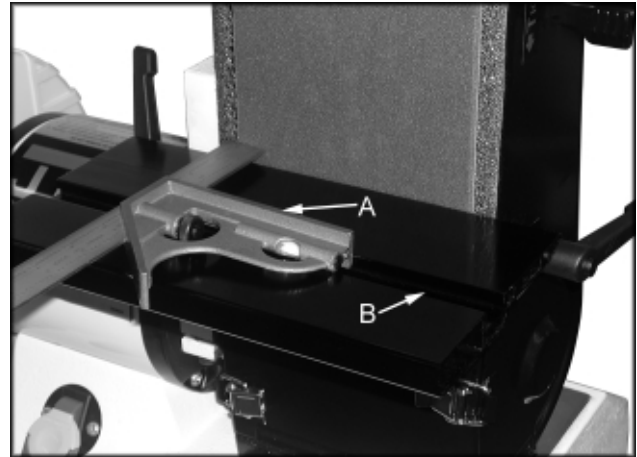


Fig. 5

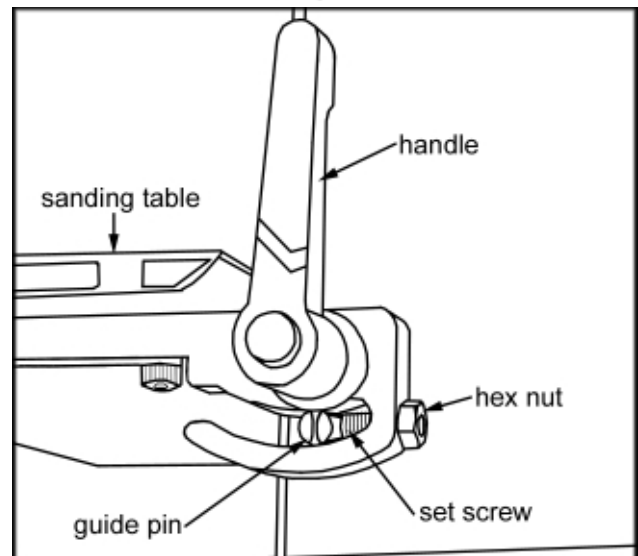


Fig. 6

Horizontal Sanding Workstop

1. Loosen the socket head cap screw (A, Fig. 7) so that the sanding belt can be rotated to the horizontal position.
2. Rotate the sander until the stop (B, Fig. 7) contacts the sander base. Tighten the socket head cap screw.
3. When the sanding belt is used in the horizontal position, the table may be used as a workstop, as shown in Figure 7.

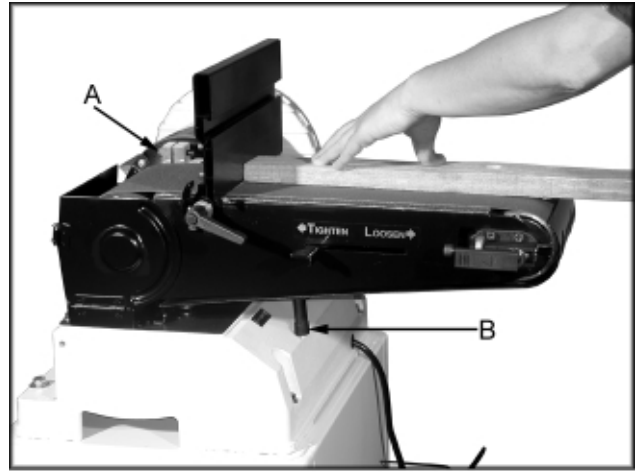


Fig. 7

Sanding Belt Replacement

1. **Disconnect the machine from the power source.**
2. Remove the handle (A, Fig. 8).
3. Release two latches (B, Fig. 8) and open the doors.
4. Pivot the trunnion assembly (A, Fig. 9) out of the way.
5. Release the belt tension by moving the tension handle to the "Loosen" position.
6. Slide the belt off of both sanding drums.
7. Slide new 6"x48" belt sanding belt over both sanding drums, making sure the belt will travel in the direction of the arrow located on the inside of the belt.
8. Re-apply belt tension by moving the tension handle to the "Tighten" position. See "Belt Tracking Adjustment".

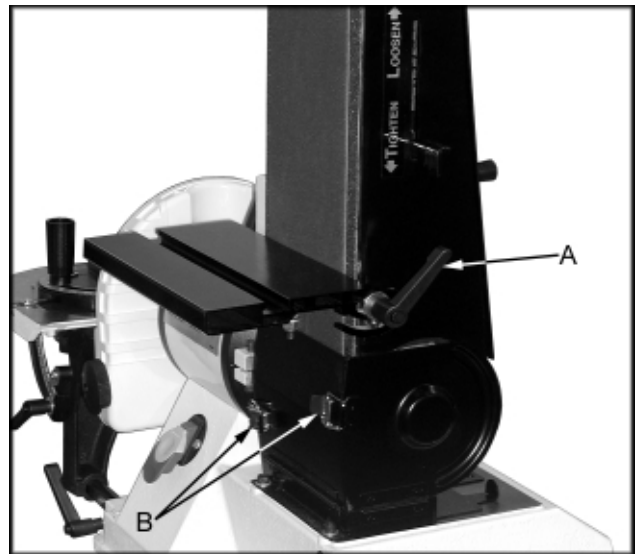


Fig. 8

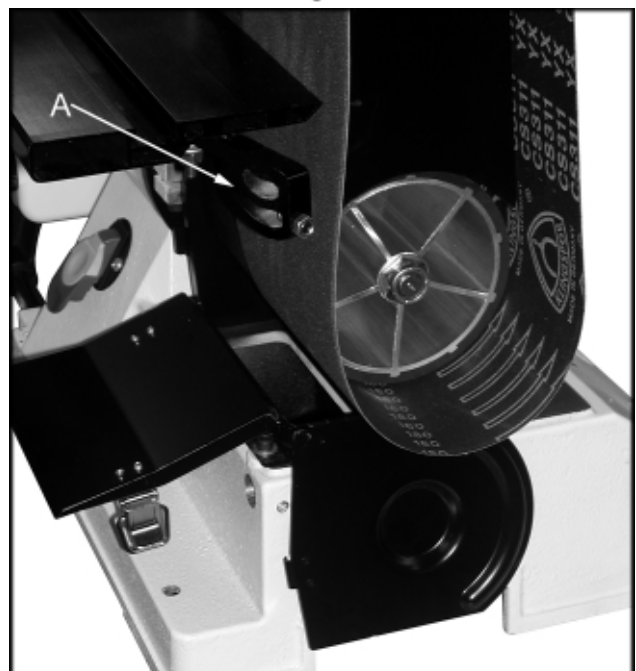


Fig. 9

Belt Tracking Adjustment

1. Connect the machine to the power source. One time quickly turn the machine "ON" and "OFF". This will allow you to view the belts tendency to run down the middle, to the right, or to the left. The belt should run centered on the sanding drums. **Do not** let the belt run off the drum to the right, or left. The belt will tear when it contacts parts of the machine.
2. Disconnect the machine from the power source. Move the tension handle (A, Fig. 10) to the "Loosen" position. Center the belt again and move the handle to the "Tighten" position.
3. Release the tracking lock (B, Fig. 10) by pulling up on the handle. If the belt has a tendency to track left of center, turn the adjusting knob (C, Fig. 10) counterclockwise until the belt tracks in the center.
4. If the belt has a tendency to track right of center, turn the adjusting knob clockwise until the belt tracks in the center.
5. Secure the tracking lock by pushing the lever down. **Note:** when tightening the tracking lock the belt may tend to move to the left.
6. Fine tune tracking by turning the adjusting knob (C, Fig. 10).

Note: To prevent the sanding belt from stretching and to prolong belt life, remove the belt tension from the sander if not using for a long period of time.

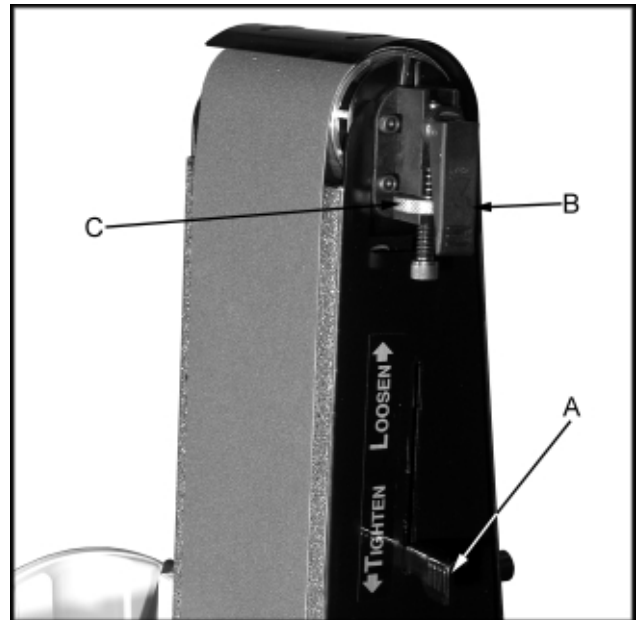


Fig. 10

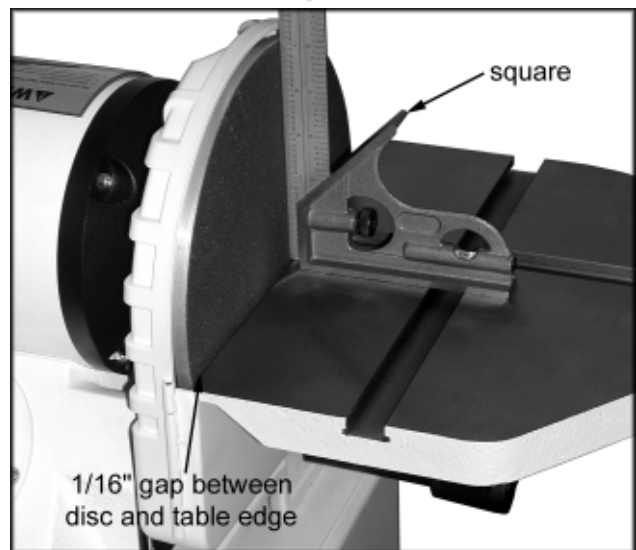


Fig. 11

Disc Table Adjustment

1. **Disconnect machine from the power source.**
2. Place a square on the table next to the sanding disc (Figure 11). Loosen locking handle and move the table to 90°. Tighten locking handles.
3. Place a combination square (A, Fig. 12) in the miter gauge slot (B, Fig. 12) and check the distance from the slot to the edge of the sanding disc. Slide the square along the slot to the other end of the disc and check the distance. The distances should be equal to ensure that the miter gauge travels parallel to the disc.

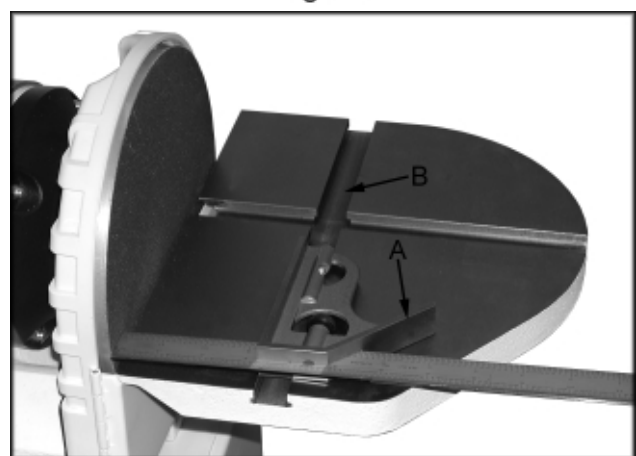


Fig. 12

4. If the miter slot is not parallel loosen the two socket head cap screws (A, Fig. 13) and adjust for parallel. Tighten the two screws when the adjustment is complete.
5. Always maintain a gap of approximately 1/16" between the table edge and disc. Once the table is square and parallel to the disc adjust the 90° stop. Loosen hex nut (B, Fig. 13) and tighten the set screw (C, Fig. 13) until it contacts the trunnion. Tighten hex nut.
6. If the pointer does not line up with the "0" on the scale loosen the screw and adjust for "0". Tighten the screw.
7. The table can be tilted between 0°-45° by loosening the handle (D, Fig. 13) and tilting the table to the desired angle. Tighten the handle. Always maintain a gap of approximately 1/16" between the table edge and disc.

Note: The belt table can be removed and the disc table can be used in its place. There are two holes in the base below the sanding belt that will accommodate the disc table's support rod and locking handle.

Sanding Disc Replacement

1. **Disconnect machine from the power source.**
2. Loosen the handle (C, Fig. 14) and remove the table assembly (A, Fig. 14).
3. Turn the knob (B, Fig. 14) and open the door.
4. Remove old sanding disc by stripping from wheel. Make sure the disc plate is clean.
5. Press the new disc firmly into place.

Center Point

The center point (A, Fig. 15) provided with the sander can be used for sanding circles. The center point can be locked in position by tightening the set screws (B, Fig. 15).

On/Off Switch

The machine can be turned on by moving the switch (C, Fig. 15) to the up position. The key (D, Fig. 15) can be removed when the machine is in the off position. With the key removed the switch will not operate.

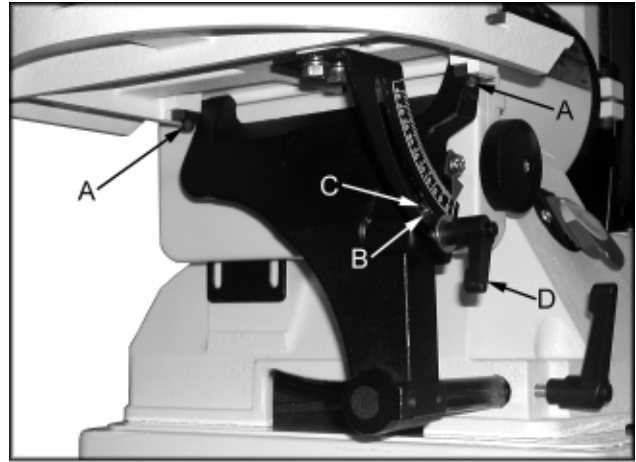


Fig. 13

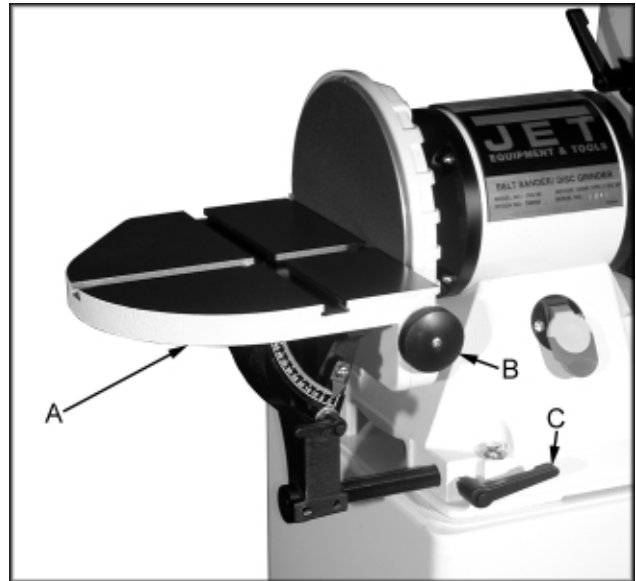


Fig. 14

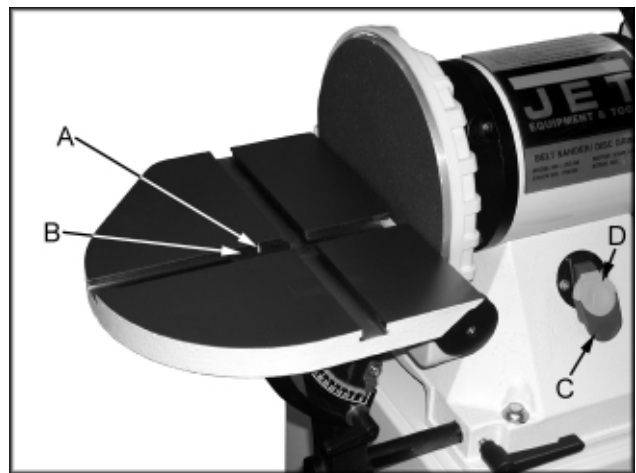


Fig. 15

Dust Collection

1. Hook the sander to a dust collector using a 4" diameter hose and clamp (A, Fig. 16). JET offers a wide variety of hoses, adapters and dust collectors.
2. Loosen the wing nut (B, Fig. 16) and pull the gate (C, Fig. 16) open to allow air suction to the sanding belt. Push the gate closed to shut off air suction. Tighten the wing nut.
3. Push the gate (D, Fig. 16) down to shut off air suction to the disc. Lift the gate to open the air suction to the disc.

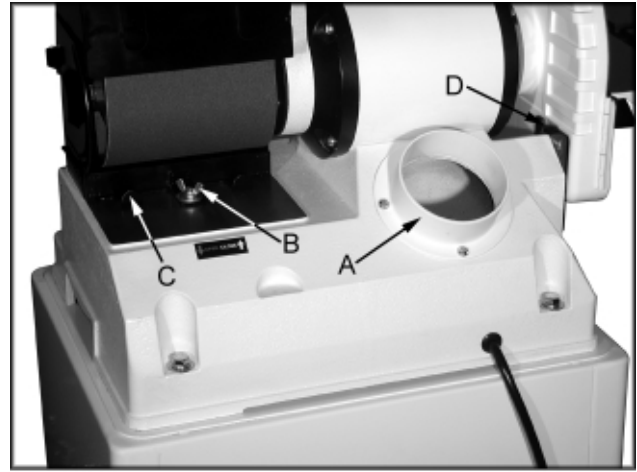


Fig. 16

Lubrication

All moving parts run on sealed ball bearings and require no lubrication.

Optional Accessories

Open Stand w/Belt Rack 708596
 Closed Stand w/Belt Rack 708597
 JET Stik Abrasive Belt and Disc Cleaner 57620025
 Dust Collectors and Accessories see JET Distributor

JSG-96 Sanding Belts, Master Carton 10

6"x48"	24 Grit	40 Grit	60 Grit	80 Grit	100 Grit	120 Grit	150 Grit	180 Grit
Closed Coat	57617110	57617210	57617410	57617510	57617610	57617710	57512210	57512310
Open Coat	57432910	57422110	57422210	57422310	57422410	57422510	57422610	57422710

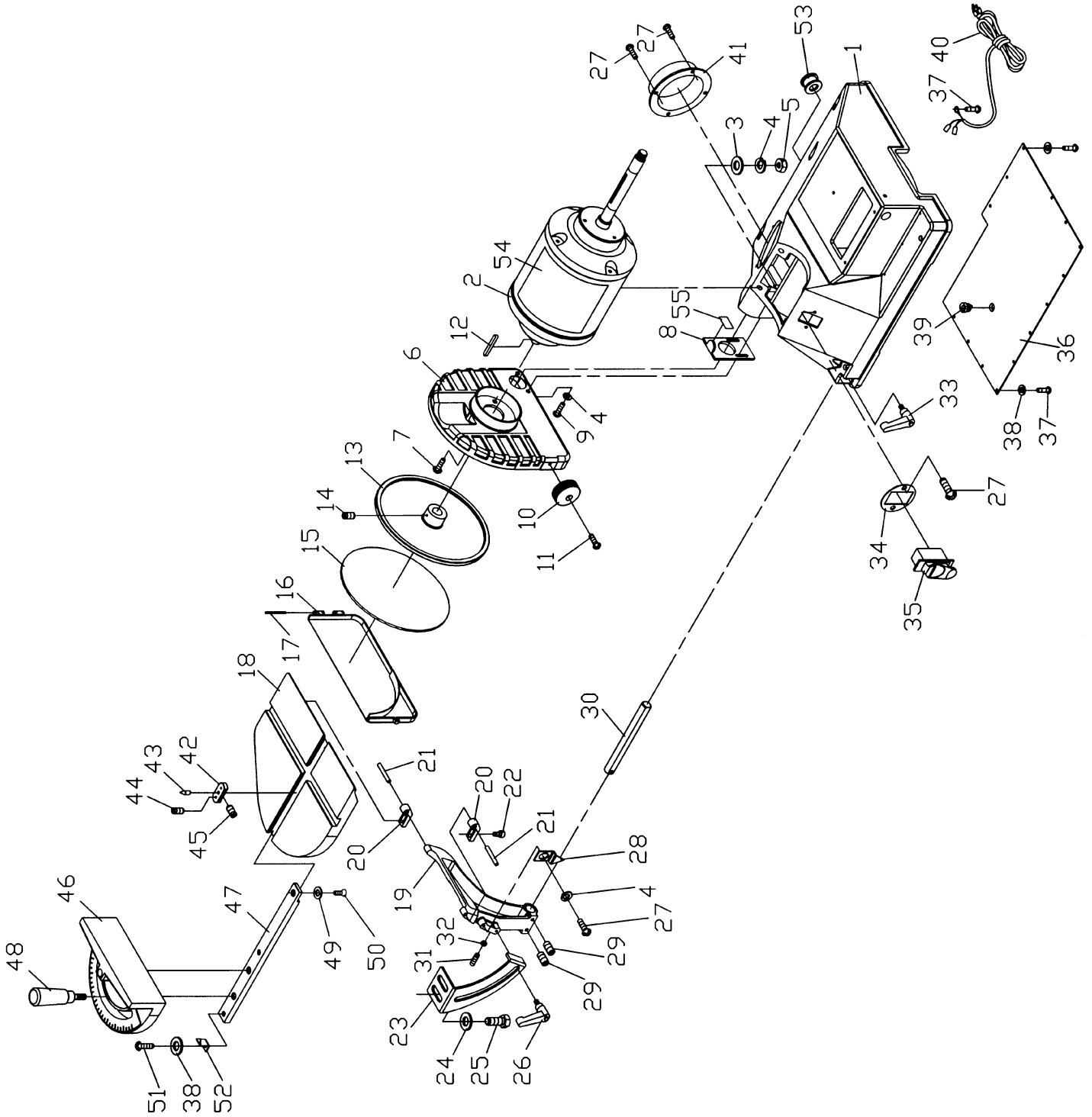
JSG-96 Sanding Disc PSA Aluminum Oxide Cloth Back Sanding Disc, Master Carton 25

9"	36 Grit	50 Grit	60 Grit	80 Grit	100 Grit	120 Grit
Closed Coat	57697525	57697650	57697750	57697850	57697950	57698050

Troubleshooting

Trouble	Possible Cause	Solution
Sander will not start	<ol style="list-style-type: none"> 1. Sander unplugged from wall or motor 2. Fuse blown or circuit breaker tripped 3. Cord damaged 	<ol style="list-style-type: none"> 1. Check all plug connections 2. Replace fuse or reset circuit breaker 3. Replace cord
Sanding belt does not come up to speed	<ol style="list-style-type: none"> 1. Extension cord too light or too long 2. Low current 	<ol style="list-style-type: none"> 1. Replace with adequate size and length cord 2. Contact a qualified electrician
Machine vibrates excessively	<ol style="list-style-type: none"> 1. Stand on uneven floor 	<ol style="list-style-type: none"> 1. Adjust stand so that it rests evenly on the floor
Abrasive belt keeps tearing	<ol style="list-style-type: none"> 1. Belt is running in the wrong direction 	<ol style="list-style-type: none"> 1. Arrow on the sanding belt and machine should be pointing in the same direction.
Sanded edge not square	<ol style="list-style-type: none"> 1. Table not square to sanding belt 2. Miter slot not parallel to sanding belt 	<ol style="list-style-type: none"> 1. Use a square to adjust table to sanding belt 2. Use a square to adjust the table's miter slot parallel to the sanding belt.
Sanding marks on wood	<ol style="list-style-type: none"> 1. Work held still 2. Wrong grit sanding belt 3. Feed pressure too great 4. Sanding against the grain 	<ol style="list-style-type: none"> 1. Keep workpiece moving 2. Use coarser grit for stock removal and fine grit for finish sanding. 3. Never force work into sanding platen 4. Sand with the grain

Disc Sander Assembly Breakdown



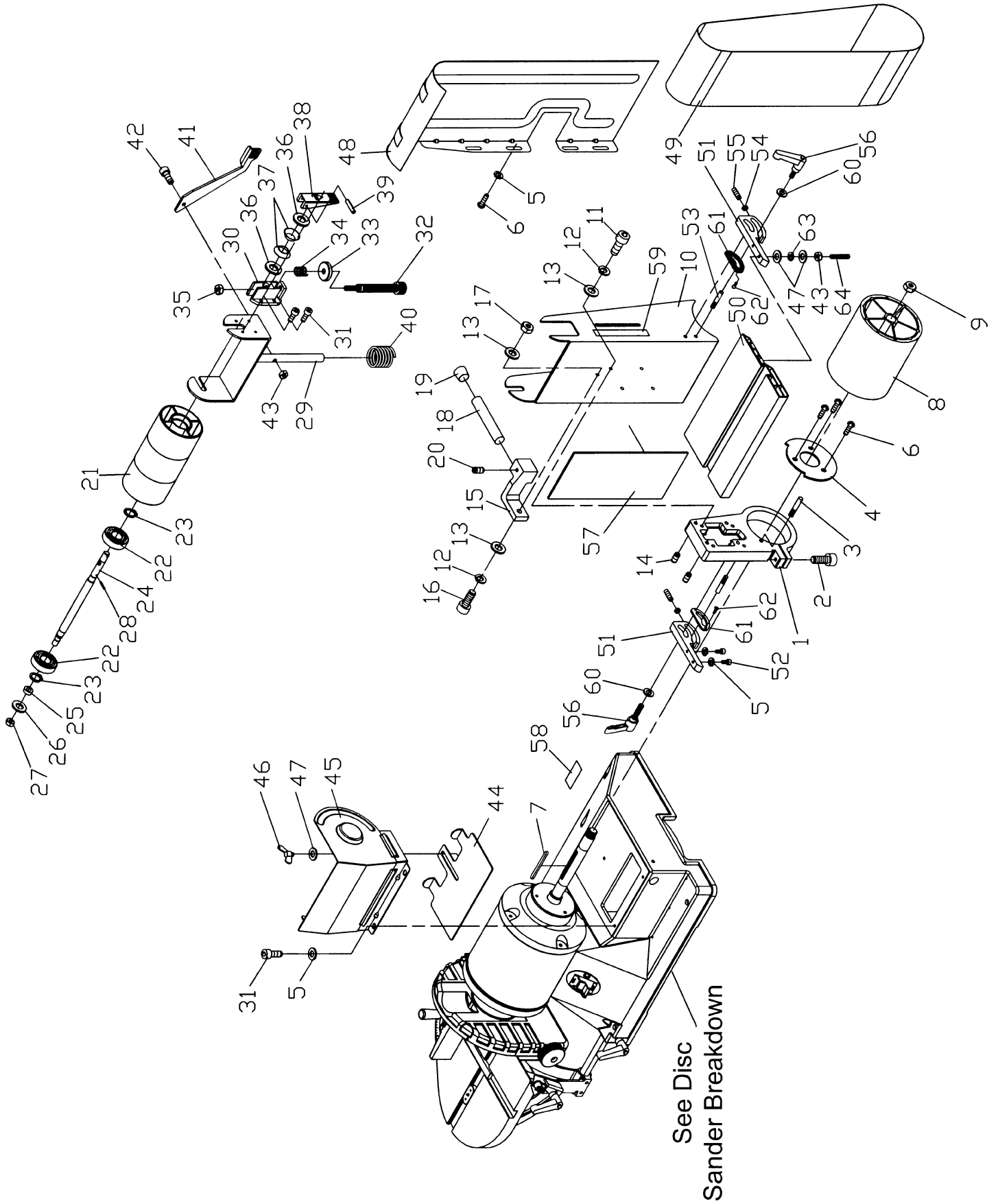
Parts List For The JSG-96 Sander

Disc Sander Assembly

Index No.	Part No.	Description	Size	Qty.
1	JSG96-101	Base		1
2	JSG96-102	Motor		1
	JSG96-102A	Starting Capacitor (not shown)		1
	JSG96-102B	Running Capacitor (not shown)		1
3	TS-1550041	Flat Washer	M6	4
4	TS-1551041	Lock Washer	M6	7
5	TS-1540041	Hex Nut	M6	1
6	JSG96-106	Disc Cover		1
7	JSG96-107	Screw w/Washer	1/4x3/8	3
8	JSG96-108	Air Controller		1
9	TS-0813032	Screw	1/4x1/2	2
10	JSG96-110	Lock Knob		1
11	JSG96-111	Tap Screw	1/4x1	1
12	JSG96-112	Key	5x5x25	1
13	JSG96-113	Disc		1
14	JSG96-114	Set Screw	#10x3/8	1
15	JSG96-115	Sanding Disc		1
16	JSG96-116	End Cover		1
17	JSG96-117	Pin		1
18	JSG96-118	Compound Table		1
19	JSG96-119	Table Bracket		1
20	JSG96-120	Trunnion		2
21	JSG96-121	Pin		2
22	JSG96-122	Hex Socket Cap Screw	#10x5/8	2
23	JSG96-123	Table Support w/Scale		1
24	TS-0680031	Flat Washer	5/16	2
25	TS-0051021	Hex Head Screw	5/16x5/8	2
26	JSG96-126	Lock Handle		1
27	JSG96-127	Screw	1/4x3/8	7
28	JSG96-128	Pointer		1
29	TS-0270031	Set Screw	5/16x3/8	2
30	JSG96-130	Rod		1
31	JSG96-131	Set Screw	1/4x1	1
32	TS-0561011	Hex Nut	1/4	1
33	JSG96-133	Lock Handle w/Brass Insert		1
34	JSG96-134	Switch Plate		1
35	JSG96-135	Switch		1
	JSG96-135A	Switch Key (not shown)		1
36	JSG96-136	Plate		1
37	JSG96-137	Screw w/Flange	#10x3/8	17
38	TS-0680011	Flat Washer	3/16	1
39	JSG96-139	Strain Relief		1
40	JSG96-140	Power Cord		1
41	JSG96-141	Dust Chute		1
42	JSG96-142	Circle Gauge		1
43	JSG96-143	Tip		1
44	JSG96-144	Set Screw	1/4x1/4	2
45	JSG96-145	Set Screw	M4x6	1
46	JWBS18-403	Miter Gauge Body		1
47	JSG96-147	Guide Bar		1
48	JWBS18-401	Lock Handle		1
49	JWBS20-156	Guide Disc		1
50	JSG96-150	Pan Head Screw	1/4x5/16	1

Index No.	Part No.	Description	Size	Qty.
51	JSG96-151	Screw	#10x5/16	1
52	JWBS18-406	Pointer		1
53	JSG96-153	Bushing		1
54	JSG96-154	I.D. Label		1
55	JSG96-155	Indication Label		1
	JSG96-MGA	Miter Gauge Assembly		1
	JSG96-CGA	Circle Gauge Assembly		1

Belt Sander Assembly Breakdown

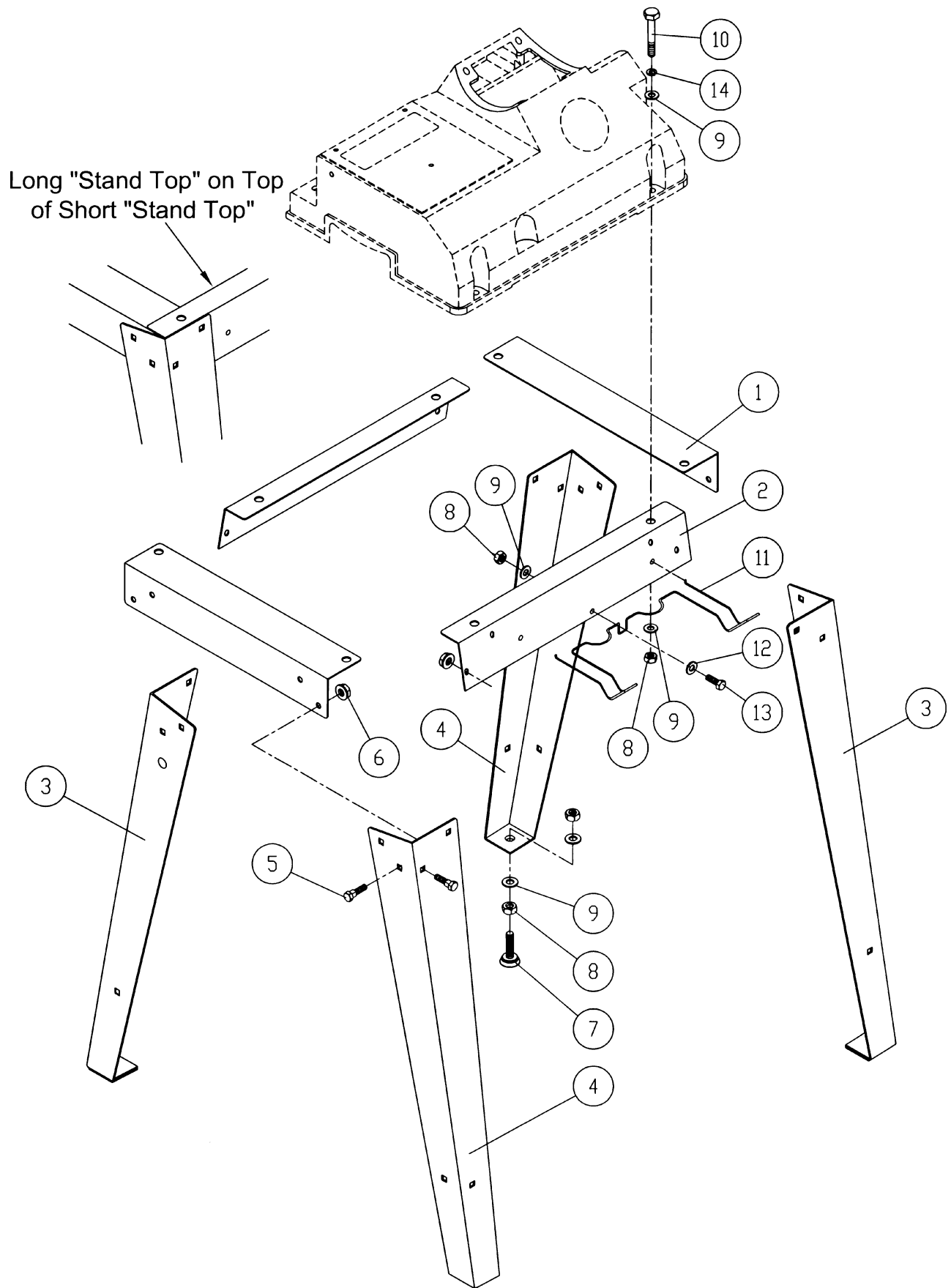


Belt Sander Assembly

Index No.	Part No.	Description	Size	Qty.
1	JSG96-201	Bracket		1
2	TS-0208071	Hex Socket Cap Screw	5/16x1-1/4	1
3	JSG96-203	Pin		1
4	JSG96-204	Fixed Plate		1
5	TS-0680021	Flat Washer	1/4	8
6	JSG96-206	Screw	1/4x3/8	3
7	JSG96-207	Key	5x5x70	1
8	JSG96-208	Drive Drum		1
9	JSG96-209	Lock Nut	5/8-18UNF	1
10	JSG96-210	Belt Support		1
11	JSG96-211	Hex Socket Cap Screw	5/16x5/8	4
12	TS-0720081	Lock Washer	5/16	5
13	TS-0680031	Flat Washer	5/16	6
14	TS-0270031	Set Screw	5/16x3/8	4
15	JSG96-215	Bracket		1
16	TS-0208061	Hex Socket Cap Screw	5/16x1	1
17	TS-0561021	Hex Nut	5/16	1
18	JSG96-218	Rod		1
19	JSG96-219	Pad		1
20	JSG96-220	Set Screw	1/4x3/8	1
21	JSG96-221	Follow Roller		1
22	BB-6201ZZ	Ball Bearing		2
23	JSG96-223	C-Ring	STW-11	2
24	JSG96-224	Shaft		1
25	JSG96-225	Bushing		1
26	TS-0680041	Flat Washer	3/8	1
27	JSG96-227	Lock Nut	3/8	1
28	JSG96-228	Roll Pin	3x20	1
29	JSG96-229	Support Bracket		1
30	JSG96-230	Micro-Adjusting Seat		1
31	TS-0207021	Hex Socket Cap Screw	1/4x1/2	6
32	JSG96-232	Screw		1
33	JSG96-233	Adjusting Knob		1
34	JSG96-234	Spring		1
35	JSG96-235	Lock Nut	M6	1
36	JSG96-236	Washer		2
37	JSG96-237	Disc Spring		2
38	JSG96-238	Lock Handle		1
39	JSG96-239	Roll Pin	3x20	1
40	JSG96-240	Spring		1
41	JSG96-241	Eccentric Handle		1
42	JSG96-242	Hex Socket Cap Screw	1/4x1-1/4	1
43	JSG96-243	Lock Nut	1/4	2
44	JSG96-244	Air Controller (Belt)		1
45	JSG96-245	Dust Chute		1
46	JSG96-246	Wing Screw	1/4x1/2	1
47	JSG96-247	Flat Washer	1/4x3/4	3
48	JSG96-248	Back Cover		1
49	JSG96-249	Sanding Belt		1
50	JSG96-250	Belt Table		1
51	JSG96-251	Trunnion		2
52	TS-0050021	Hex Socket Cap Screw	1/4x5/8	2
53	JSG96-253	Guide Pin		2

Index No.	Part No.	Description	Size	Qty.
54	TS-0561011	Hex Nut	1/4	2
55	JSG96-255	Set Screw	1/4x3/4	2
56	JSG96-256	Lock Handle		2
57	JSG96-257	Graphite Pad		1
58	JSG96-155	Indication Label		1
59	JSG96-259	Loosen/Tighten Label		1
60	JSG96-260	Flat Washer	1/4x9/16x1/8	2
61	JSG96-261	Serrated Plate		2
62	JSG96-262	Phillips Tap Screw	M3x10	4
63	JSG96-263	Lock Washer	1/4	1
64	JSG96-264	Set Screw	1/4x1-1/2	1

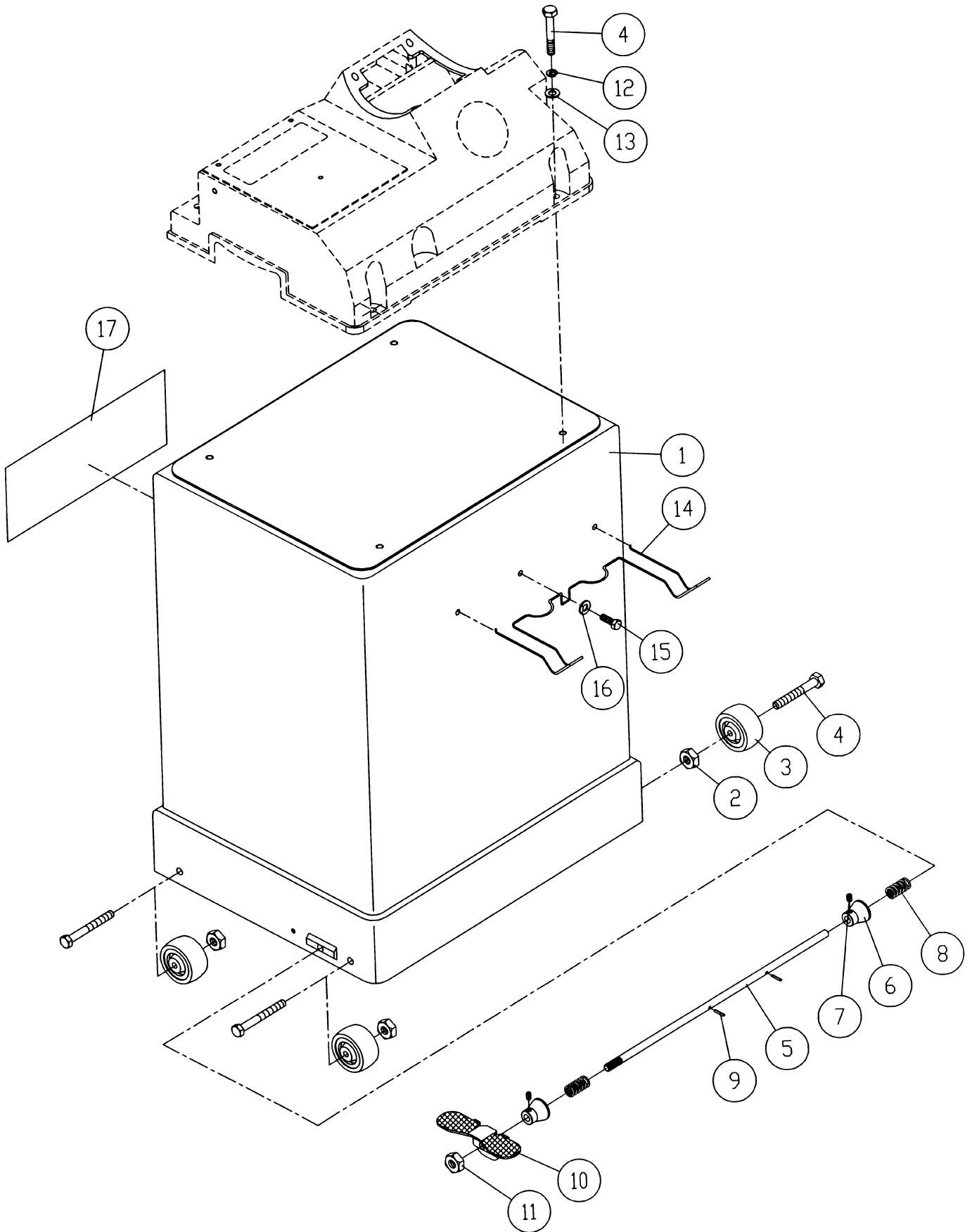
Open Stand Breakdown



JSG-96 Open Stand Assembly

Index No.	Part No.	Description	Size	Qty.
1	JSG96-401	Stand Top (front and rear, short)		2
2	JSG96-402	Stand Top (left and right, long)		2
3	JSG96-403	Stand Leg w/Tool Holder		2
4	JSG96-404	Stand Leg		2
5	JSG96-405	Carriage Bolt	5/16x5/8	16
6	JSG96-406	Lock Nut w/Flange	5/16	16
7	JSG96-407	Leveling Pad		4
8	TS-0561031	Hex Nut	3/8	13
9	TS-0680041	Flat Washer	3/8	17
10	TS-0060131	Hex Head Screw	3/8x3	4
11	JSG96-314	Tool Shelf		1
12	JSG96-316	Flat Washer	3/8x1-1/8	1
13	TS-0060031	Hex Head Screw	3/8x3/4	1
14	TS-0720091	Lock Washer	3/8	4

Closed Stand Breakdown



Closed Stand Assembly

Index No.	Part No.	Description	Size	Qty.
1	JSG96-301	Base		1
2	JSG96-302	Lock Nut	3/8	4
3	PJE-S05	Wheel		4
4	JSG96-304	Hex Head Screw	3/8x2-1/2	8
5	JSG96-305	Shaft		1
6	PJN-S04	Eccentric Cam		2
7	JSG96-307	Set Screw	M6x10	2
8	JSG96-308	Spring		2
9	JSG96-309	Roll Pin	4x16	2
10	PJN-S02	Foot Brake		1
11	JSG96-311	Lock Nut	M10x1.5	1
12	TS-0720091	Lock Washer	3/8	4
13	TS-0680041	Flat Washer	3/8	4
14	JSG96-314	Tool Shelf		1
15	TS-0060031	Hex Head Screw	3/8x3/4	1
16	JSG96-316	Washer	3/8x1-1/8	1
17	JSG96-317	JET Plaque		1