

**cushion grip** series



**JET** EQUIPMENT & TOOLS LTD.

The background of the advertisement is a close-up, shallow depth-of-field photograph of several screwdrivers. The handles are black with yellow accents, and the shafts are silver. The screwdrivers are arranged in a row, receding into the background. A semi-transparent blue banner is overlaid on the middle of the image, containing the main text.

Introducing Our *NEW*  
**Cushion Grip**  
Screwdrivers, Nutdrivers, and  
Multi-bit Drivers

- Super strong acetate handles resist impact and chemicals
- Integrated cushion grips provide all day comfort and increased torque

Professional **Tools.** Professional **Results.**

# Screwdriver

SETS

**SVCM**

Steel



- Patented SVCM tool steel is up to 30% stronger than CRV screwdrivers
- Hardened and tempered for superior strength and improved durability
- Super strong acetate handles resist impact and chemicals
- Integrated cushion grips provide all day comfort and increased torque
- Chrome plated for superior corrosion resistance
- Precision machined blackened tips for superior fit in all screw head types
- Tip type printed on handles for easy identification in tool pouch
- Non-magnetic tips will not interfere with sensitive equipment



## 720564 JKS-9S 9 PC

- 3/16" x 3", 1/4" x 4" slot round shank
- 5/16" x 6" slot round shank
- #1 x 3", #2 x 4", #3 x 6" phillips
- #1 x 4", #2 x 4", #3 x 4" square

## 720562 JKS-4SL

### 4 PC Extra Long Screwdriver Set

- 3/8" x 10" slot round shank
- 3/8" x 12" slot round shank
- #2 x 10" phillips
- #2 x 8" square



## 720560 JKS-4SM

### 4 PC Mini Cushion Grip Screwdriver Set

- 1/16" x 3", 3/32" x 3", 1/8" x 3" slot
- #0 x 3" phillips



## 720566 JKS-14S 14 PC

- 1/4" x 1-1/2" slot stubby round shank
- 1/4" x 4", 5/16" x 6", 3/8" x 8" slot square shank
- 3/16" x 3", 3/16" x 6" cabinet tip
- #1 x 3", #2 x 1-1/2", #2 x 4", #3 x 6" phillips
- #1 x 4", #2 x 1-1/2", #2 x 4", #3 x 4" square

## 720531 JKMD-5S 5-IN-1 STUBBY MULTI-BIT DRIVER

- 3/16" slot • 1/4" slot
- #2 phillips • #2 square

## 720533 JKMD-6 6-IN-1 MULTI-BIT DRIVER

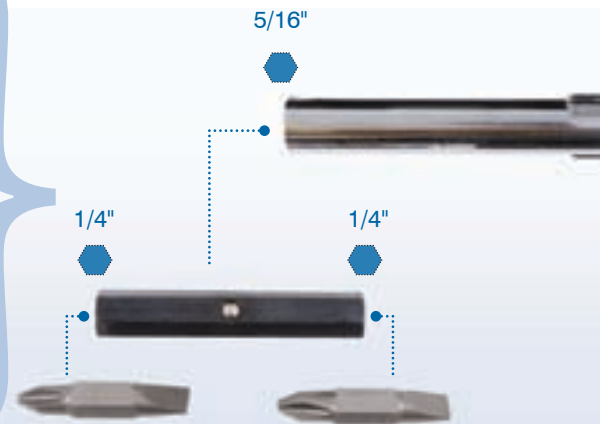
- 3/16" slot • 1/4" slot
- #2 phillips • #2 square

## 720534 JKMD-10 10-IN-1 MULTI-BIT DRIVER

- 3/16" & 1/4" slot
- #1, #2, #3 phillips
- #1, #2, #3 square
- 1/4" & 5/16" hex



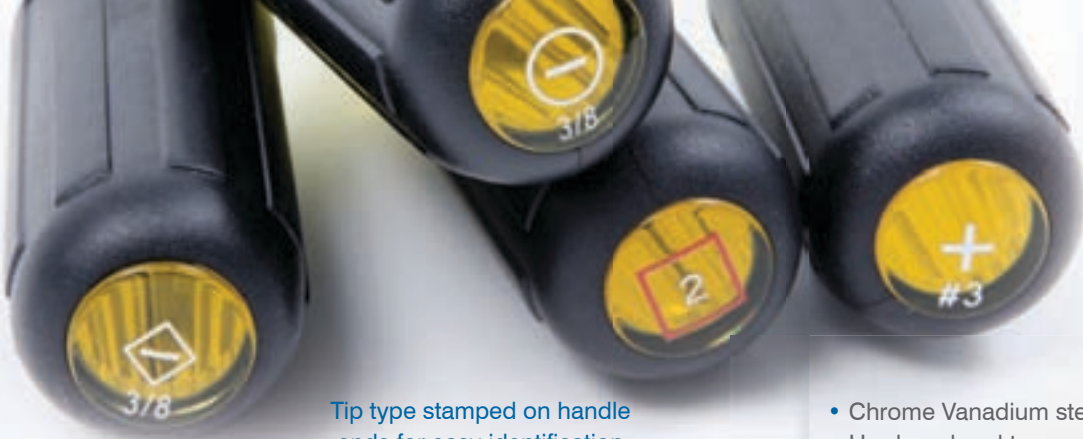
## 720534 JKMD-10 10-IN-1 MULTI-BIT DRIVER



Can be used as a nut driver with bits removed

# Nutdriver SETS

CrV



Tip type stamped on handle ends for easy identification in tool pouch

- Chrome Vanadium steel for professional use
- Hardened and tempered for superior strength and improved durability
- Super strong acetate handles resist impact and chemicals
- Integrated cushion grips provide all day comfort and increased torque
- Chrome plated for superior corrosion resistance
- Hex bolster allows use of a wrench for increased torque
- Hollow shaft fits over long fasteners
- Socket size stamped on handles for easy identification in tool pouch
- Convenient plastic carrying case keeps nut drivers organized



## 721101 JKND-7S 7 PC S.A.E.

- 3/16" x 3" • 1/4" x 3"
- 5/16" x 3" • 11/32" x 3"
- 3/8" x 3" • 7/16" x 3"
- 1/2" x 3"

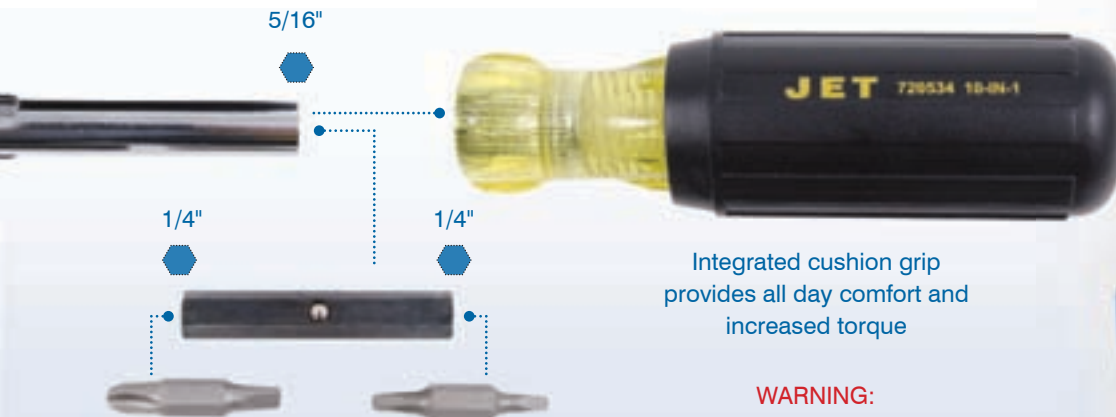
## 721102 JKND-7M 7 PC METRIC

- 6mm x 3" • 7mm x 3"
- 8mm x 3" • 9mm x 3"
- 10mm x 3" • 11mm x 3"
- 12mm x 3"

# Multi-bit Driver SETS

Chrome plated for superior corrosion resistance

Super strong acetate handle resists impact and chemicals



Integrated cushion grip provides all day comfort and increased torque

Double ended bits for maximum versatility with minimal pieces

**WARNING:**  
NOT insulated. Will NOT protect against electrical shock. Do NOT use to pry or chisel.



# Multi-bit Driver

OPEN STOCK



## REPLACEMENT BITS FOR PRODUCTS 720531 and 720534

Prod. No.	Description
720580	3/16" x PH1 BIT
720581	3/16" x R2 BIT
720582	1/4" x PH2 BIT
720583	R1 x R2 BIT
720584	PH3 x R3 BIT
720585	5/16" HEX x 1/4" HEX BIT

## REPLACEMENT BITS FOR PRODUCT 720533

Prod. No.	Description
720592	1/8" SLOT x #0 PHILLIPS
720593	3/16" SLOT x #1 PHILLIPS
720594	1/4" SLOT x #2 PHILLIPS
720595	#1 SQUARE x #2 SQUARE
720596	T10 x T15 TORX
720597	T20 x T25 TORX
720598	1/8" HEX x 3/16" HEX
720599	5/16" SLOT x #3 PHILLIPS

# Nutdriver

OPEN STOCK

Prod. No.	Description	Prod. No.	Description
721141	3/16" X 3"	721151	6MM X 3"
721142	1/4" X 3"	721152	7MM X 3"
721143	5/16" X 3"	721153	8MM X 3"
721144	11/32" X 3"	721154	9MM X 3"
721145	3/8" X 3"	721155	10MM X 3"
721146	7/16" X 3"	721156	11MM X 3"
721147	1/2" X 3"	721157	12MM X 3"

### BRANCHES:

**Vancouver**  
49 Schooner Street  
Coquitlam, BC V3K 0B3  
Tel: (604) 523-8665  
Toll Free: 1-800-472-7685  
Fax: (604) 526-5381  
Toll Free: 1-800-663-7742

**Edmonton**  
9720 - 12th Avenue SW  
Edmonton, AB T6X 0J5  
Toll Free:  
Tel: 1-800-472-7685  
Fax: 1-800-663-7742

**Winnipeg**  
951 Powell Avenue  
Winnipeg, MB R3H 0H4  
Tel: (204) 632-6970  
Toll Free: 1-800-665-7524  
Fax: (204) 694-9534  
Toll Free: 1-877-694-9534

**Toronto**  
979 Gana Court  
Mississauga, ON L5S 1N9  
Tel: (905) 565-8661  
Toll Free: 1-800-387-3879  
Fax: (905) 565-7266  
Toll Free: 1-800-267-3310

**Montréal**  
4620, rue Garand  
St. Laurent, QC H4R 2A2  
Sans frais :  
Tél : 1-800-363-2885  
Télé : 1-800-267-3310

**Halifax**  
110 - 11 Morris Drive  
Dartmouth, NS B3B 1M2  
Tel: (902) 468-8324  
Toll Free: 1-800-472-7686  
Fax: (902) 468-3461  
Toll Free: 1-877-468-3461

®Registered trademark of JET Equipment & Tools Ltd. JET Equipment & Tools Ltd. is not responsible for typography and pricing errors. JET Equipment & Tools Ltd. reserves the right to cancel orders arising from any such errors. Prices are subject to corrections or changes without notice. We reserve the right to limit quantities. Taxes extra. JET products are only available in Canada.



# Screwdriver

OPEN STOCK

Prod. No.	Description
720605	1/16" X 3" SLOT MINI
720606	3/32" X 3" SLOT MINI
720607	1/8" X 3" SLOT MINI
720612	1/4" X 4" SLOT SQUARE SHANK
720613	5/16" X 6" SLOT SQUARE SHANK
720616	3/8" X 8" SLOT SQUARE SHANK
720621	1/4" X 1-1/2" SLOT ROUND SHANK
720622	1/4" X 4" SLOT ROUND SHANK
720623	5/16" X 6" SLOT ROUND SHANK
720626	3/8" X 8" SLOT ROUND SHANK
720627	3/8" X 10" SLOT ROUND SHANK
720628	3/8" X 12" SLOT ROUND SHANK
720632	3/16" X 3" CABINET TIP
720633	3/16" X 4" CABINET TIP
720634	3/16" X 6" CABINET TIP
720635	3/16" X 8" CABINET TIP
720641	PH #0 X 3" PHILLIPS MINI
720642	#1 X 3" PHILLIPS
720644	#2 X 1-1/2" PHILLIPS
720646	#2 X 4" PHILLIPS
720648	#2 X 10" PHILLIPS
720649	#3 X 6 PHILLIPS
720653	#1 X 4" SQUARE
720654	#2 X 1-1/2" SQUARE
720656	#2 X 4" SQUARE
720658	#2 X 8" SQUARE
720659	#3 X 4 SQUARE



Montréal branch moving Fall, 2011

NPA11-HT720531-721157

