



## Operating Instructions and Parts Manual HN-16T Hand Notcher



### **JET**

427 New Sanford Road  
LaVergne, Tennessee 37086  
Ph.: 800-274-6848  
[www.jettools.com](http://www.jettools.com)

**Part No. M-756016**  
Revision B 12/2015  
Copyright © 2015 JET

# Warranty and Service

JET warrants every product it sells against manufacturers' defects. If one of our tools needs service or repair, please contact Technical Service by calling 1-800-274-6846, 8AM to 5PM CST, Monday through Friday.

## Warranty Period

The general warranty lasts for the time period specified in the literature included with your product or on the official JET branded website.

- JET products carry a limited warranty which varies in duration based upon the product. (See chart below)
- Accessories carry a limited warranty of one year from the date of receipt.
- Consumable items are defined as expendable parts or accessories expected to become inoperable within a reasonable amount of use and are covered by a 90 day limited warranty against manufacturer's defects.

## Who is Covered

This warranty covers only the initial purchaser of the product from the date of delivery.

## What is Covered

This warranty covers any defects in workmanship or materials subject to the limitations stated below. This warranty does not cover failures due directly or indirectly to misuse, abuse, negligence or accidents, normal wear-and-tear, improper repair, alterations or lack of maintenance. JET woodworking machinery is designed to be used with Wood. Use of these machines in the processing of metal, plastics, or other materials may void the warranty. The exceptions are acrylics and other natural items that are made specifically for wood turning.

## Warranty Limitations

Woodworking products with a Five Year Warranty that are used for commercial or industrial purposes default to a Two Year Warranty. Please contact Technical Service at 1-800-274-6846 for further clarification.

## How to Get Technical Support

Please contact Technical Service by calling 1-800-274-6846. **Please note that you will be asked to provide proof of initial purchase when calling.** If a product requires further inspection, the Technical Service representative will explain and assist with any additional action needed. JET has Authorized Service Centers located throughout the United States. For the name of an Authorized Service Center in your area call 1-800-274-6846 or use the Service Center Locator on the JET website.

## More Information

JET is constantly adding new products. For complete, up-to-date product information, check with your local distributor or visit the JET website.

## How State Law Applies

This warranty gives you specific legal rights, subject to applicable state law.

## Limitations on This Warranty

JET LIMITS ALL IMPLIED WARRANTIES TO THE PERIOD OF THE LIMITED WARRANTY FOR EACH PRODUCT. EXCEPT AS STATED HEREIN, ANY IMPLIED WARRANTIES OF MERCHANTABILITY AND FITNESS FOR A PARTICULAR PURPOSE ARE EXCLUDED. SOME STATES DO NOT ALLOW LIMITATIONS ON HOW LONG AN IMPLIED WARRANTY LASTS, SO THE ABOVE LIMITATION MAY NOT APPLY TO YOU.

JET SHALL IN NO EVENT BE LIABLE FOR DEATH, INJURIES TO PERSONS OR PROPERTY, OR FOR INCIDENTAL, CONTINGENT, SPECIAL, OR CONSEQUENTIAL DAMAGES ARISING FROM THE USE OF OUR PRODUCTS. SOME STATES DO NOT ALLOW THE EXCLUSION OR LIMITATION OF INCIDENTAL OR CONSEQUENTIAL DAMAGES, SO THE ABOVE LIMITATION OR EXCLUSION MAY NOT APPLY TO YOU.

JET sells through distributors only. The specifications listed in JET printed materials and on official JET website are given as general information and are not binding. JET reserves the right to effect at any time, without prior notice, those alterations to parts, fittings, and accessory equipment which they may deem necessary for any reason whatsoever. JET® branded products are not sold in Canada by JPW Industries, Inc.

## Product Listing with Warranty Period

90 Days – Parts; Consumable items; Light-Duty Air Tools
1 Year – Motors; Machine Accessories; Heavy-Duty Air Tools; Pro-Duty Air Tools
2 Year – Metalworking Machinery; Electric Hoists, Electric Hoist Accessories; Woodworking Machinery used for industrial or commercial purposes
5 Year – Woodworking Machinery
Limited Lifetime – JET Parallel clamps; VOLT Series Electric Hoists; Manual Hoists; Manual Hoist Accessories; Shop Tools; Warehouse & Dock products; Hand Tools

NOTE: JET is a division of JPW Industries, Inc. References in this document to JET also apply to JPW Industries, Inc., or any of its successors in interest to the JET brand.



# Warnings

**For your own safety, read the owner's manual before operating the hand notcher.**

**This hand notcher is designed and intended for use by properly trained and experienced personnel only. If you are not familiar with the proper and safe operation of a hand notcher, do not use until proper training and knowledge have been obtained.**

1. **KEEP GUARDS IN PLACE** and in working order.
2. **KEEP ALL BODY PARTS AWAY FROM MOVING PARTS.** Avoid placing any part of your body near belts, cutters, gears, etc.
3. **DO NOT EXCEED RATED GAUGE CAPACITY** on this hand notcher.
4. **KEEP THE WORK AREA CLEAN.** Cluttered areas and work benches invite accidents.
5. **KEEP CHILDREN AWAY.** All visitors should be kept a safe distance from the work area.
6. **MAKE THE WORKSHOP KID PROOF** with padlocks, master switches, or by removing starter keys.
7. **DON'T FORCE THE MACHINE.** It will do the job better and more safely at the rate for which it was designed.
8. **USE THE RIGHT MACHINE.** Do not force a machine or attachment to do a job for which it was not designed.
9. **WEAR PROPER APPAREL.** Do not wear loose clothing, gloves, neckties, rings, bracelets, or other jewelry which may get caught in moving parts. Non-slip footwear is recommended. Wear protective hair covering to contain long hair.
10. **ALWAYS USE SAFETY GLASSES.** Also use face or dust masks if the cutting operation is dusty. Everyday eyeglasses only have impact resistant lenses; they are not safety glasses.
11. **DON'T OVERREACH.** Keep proper footing and balance at all times.
12. **MAINTAIN TOOLS WITH CARE.** Keep tools sharp and clean for the best and safest performance. Follow instructions for lubricating and changing accessories.
13. **NEVER STAND ON A MACHINE.** Serious injury could occur if the machine tipped.
14. **CHECK DAMAGED PARTS.** Before further use of the machine, a guard or other part that is damaged should be carefully checked to determine that it will operate properly and perform its intended function - check for alignment of moving parts, binding of moving parts, breakage of parts, mounting, and any other conditions that may affect its operation. A guard or other part that is damaged should be properly repaired or replaced.
15. **SHEET METAL STOCK HAS SHARP EDGES.** To prevent cuts, use caution when handling.
16. **KEEP HANDS AND FINGERS** clear of the area in front and rear of the hand notcher.
17. **DO NOT USE THE MACHINE** for any purpose other than for which it was designed.
18. **FAILURE TO COMPLY** with all of these warnings may cause serious injury.
19. **SOME DUST CREATED BY** power sanding, sawing, grinding, drilling and other construction activities contains chemicals known to cause cancer, birth defects or other reproductive harm. Some examples of these chemicals are:
  - Lead from lead based paint
  - crystalline silica from bricks and cement and other masonry products, and
  - arsenic and chromium from chemically-treated lumber.

YOUR RISK FROM THESE EXPOSURES varies, depending on how often you do this type of work. To reduce your exposure to these chemicals: work in a well ventilated area, and work with approved safety equipment, such as those dust masks that are specifically designed to filter out microscopic particles
20. **DO NOT OPERATE TOOL** while under the influence of drugs, alcohol or any medication.

# Specifications

Stock Number.....	756016
Model Number.....	HN-16T
Cutting Capacity.....	16 Gauge
Piercing Capacity.....	18 Gauge
Maximum Notch.....	6" x 6"
Stroke.....	3/4"
Overall Dimensions (LxWxH).....	24" x 21" x 26"
Net Weight.....	165 lbs.

## Uncrating and Clean-Up

1. Remove the HN-16T from the crate.
2. Carefully clean all rust protected surfaces with a mild solvent or kerosene and a soft rag. Do not use lacquer thinner, paint thinner, or gasoline. These will damage painted surfaces.
3. Lubricate all moving parts of the machine with light grease, or heavy oil.
4. Carefully move the machine to a well lighted area and attach to a solid, level work bench.

## Notcher Setup

Use a machinist's level and shims if the notcher is not level. The notcher has been adjusted at the factory for proper use of capacity material. During shipment of this unit the machine may have come out of alignment.

## Blade Adjustment

The (#) in the text refers to the breakdown.

1. Remove the table (8-01) and position the ram (3-01) to its lowest position.
2. Slightly loosen socket head cap screws (5-03).
3. Use the set screw (7-02) to adjust the positioning block (7-01). The blade gap should be approximately 0.002". As a general rule the blade gap should be approximately 6% of stock thickness.
4. Tighten screws (5-03).

## Blades

The upper blades (4-01 & 4-02) are factory set for "splay" cutting. This method provides that the cut begins at the outside of the material. The capacity at this setting is 16 gauge. The notcher is also capable of piercing. To

accomplish this, interchange upper blades end for end so that the cut begins at the apex or corner of inside out. Align blades at the point flush and tighten screws. In the piercing capacity the notcher's capacity is reduced to 18 gauge mild steel.

## Depth of Cut

Adjust set screw (3-08) to stop the ram at a desired depth and tighten hex nut (3-07).

## Ram Brake

The set screw (3-04) acts as a drag on the ram so that the blade does not free fall. The screw should be checked and adjusted as needed.

## Opening Throat

The notcher's throat can be opened by removing hex socket cap screw (1-08). This will allow squaring, or shearing. Always replace screw when notching.

## Slitting

Remove the upper left blade (4-02) and mount the right blade in the splay position, and open the throat. Always replace screw (1-08) when notching.

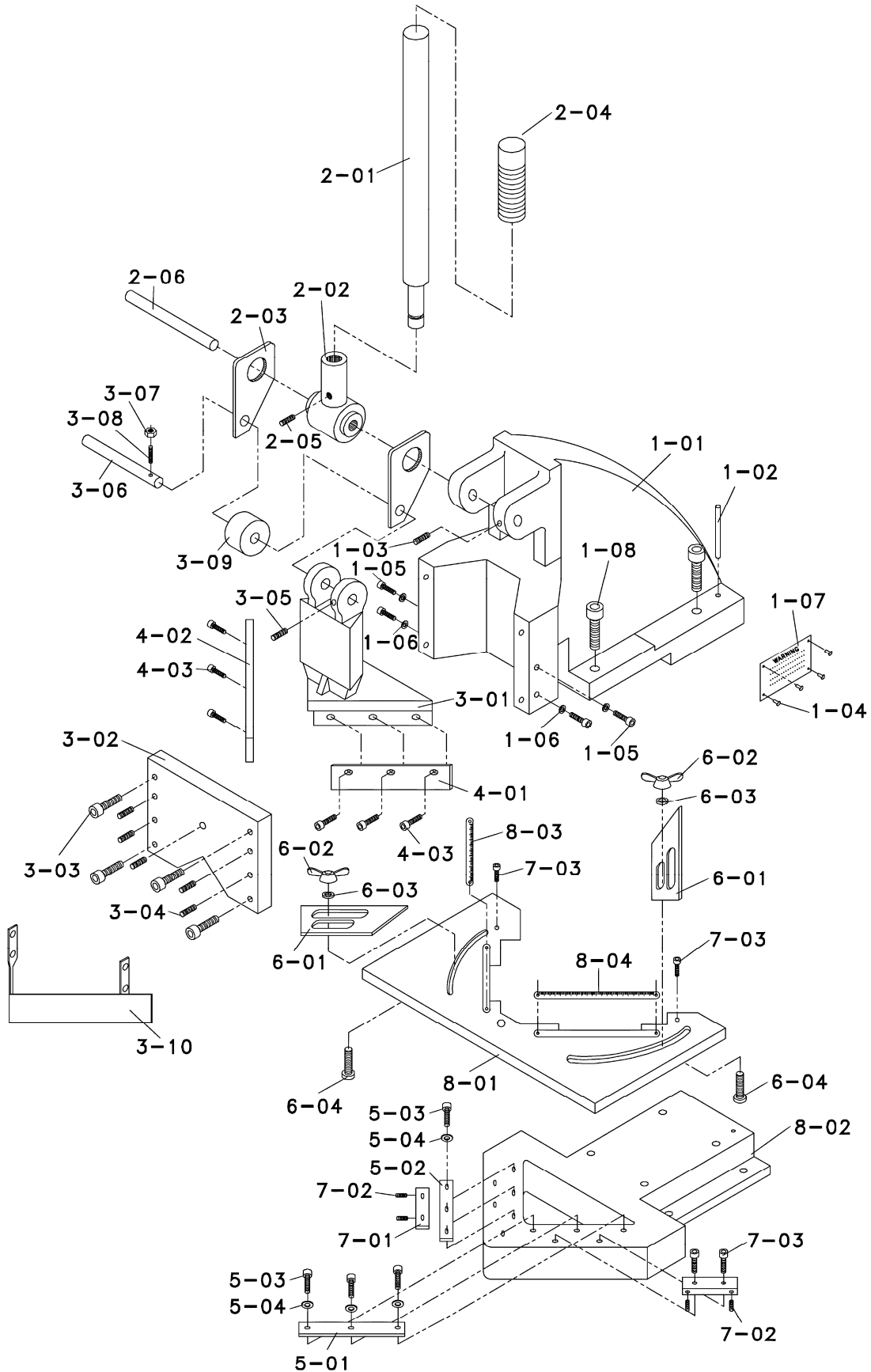
## Ram Adjustment

Normal wear on the ram (3-01) may require adjustment. Loosen set screws (3-04) and evenly tighten the hex socket cap screws (3-03) until the ram is snug. Tighten set screws from side to side until the ram has a proper fit. Lubricate the ways.

## Lubrication

Lubricate the ways weekly, and lightly oil machined surfaces to prevent rust. Lubricate daily oil pinholes that are located on the eccentric bushing (2-02), and top of the ram (3-01).

# Breakdown for the HN-16T Hand Notcher



## Parts List for the HN-16T Hand Notcher

Index No	Part No.	Description	Size	Quantity
1-01	HN16N-1-01G	Body		1
1-02	HN16N-1-02	Pin	Ø6x55	2
1-03	TS-1523061	Set Screw	M6x20	1
1-04	HN16N-1-04	Rivet	Ø2x4	12
1-05	TS-1503031	Socket Head Cap Screw	M6x12	4
1-06	TS-1550041	Washer	Ø6	4
1-07	HN16N-1-07	Warning Label		1
1-08	TS-1492071	Hex Cap Bolt	M12x65	4
1-09	HN16N-1-09	Label (not shown)		1
2-01	HN16N-2-01G	Lever		1
2-02	HN16N-2-02G	Cam		1
2-03	HN16N-2-03	Plate		2
2-04	HN16N-2-04	Cap		1
2-05	TS-1524041	Set Screw	M8x16	1
2-06	HN16N-2-06	Shaft		1
3-01	HN16N-3-01G	Ram		1
3-02	HN16N-3-02G	Fixed Plate		1
3-03	TS-1504051	Socket Head Cap Screw	M8x25	4
3-04	TS-1524051	Set Screw	M8x20	5
3-05	TS-1523051	Set Screw	M6x14	1
3-06	HN16N-3-06	Shaft		1
3-07	TS-1540061	Hex Nut	M8	2
3-08	HN16N-3-08	Set Screw	M8x40	1
3-09	HN16N-3-09	Shaft Bushing		1
3-10	HN16N-3-10	Guard		1
4-01	HN16N-4-01	Upper Blade (right)		1
4-02	HN16N-4-02	Upper Blade (left)		1
4-03	TS-1505031	Socket Head Cap Screw	M10x25	6
5-01	HN16N-5-01	Lower Blade (right)		1
5-02	HN16N-5-02	Lower Blade (left)		1
5-03	TS-1504051	Socket Head Cap Screw	M8x25	6
5-04	TS-1550061	Washer	Ø8	6
6-01	HN16N-6-01	Side Positioning Block		2
6-02	TS-0590031	Wing Nut	M10	4
6-03	TS-1550071	Washer	Ø10	4
6-04	HN16N-6-04	Screw		4
7-01	HN16N-7-01	Positioning Block		2
7-02	TS-1523061	Set Screw	M6x20	4
7-03	TS-1504041	Socket Head Cap Screw	M8x20	7
8-01	HN16N-8-01G	Table		1
8-02	HN16N-8-02G	Base		1
8-03	HN16N-8-03	Scale (left)		1
8-04	HN16N-8-04	Scale (right)		1
	LM000153	ID Label, HN-16T (not shown)		1
	JET-92	JET Logo (not shown)	.92 x 38mm	1

An accessory stand (part no. 754017) is available for the Hand Notcher. See your dealer or call JET to order.



754017



427 New Sanford Road  
LaVergne, Tennessee 37086  
Phone: 800-274-6848  
[www.jettools.com](http://www.jettools.com)