

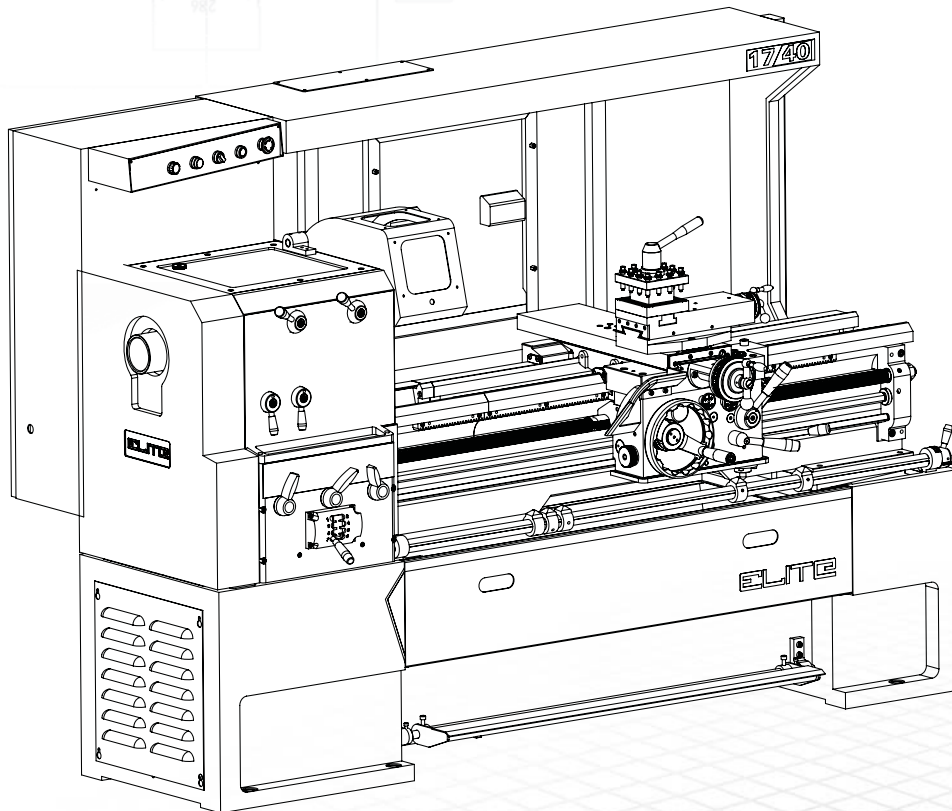
ELITE

HIGH PERFORMANCE MACHINERY

Operating Instructions and Parts Manual

1700 Series Lathe

Models: EGH-1740 | EGH-1760



JET®

427 New Sanford Road
LaVergne, Tennessee 37086
www.jettools.com
Ph.: 855-336-4032

Part No. M-EGH-1740
REV C1 07/2015
Copyright © 2015 JET



1.0 WARRANTY AND SERVICE

JET® warrants every product it sells against manufacturers' defects. If one of our tools needs service or repair, please contact Technical Service by calling 1-855-336-4032, 8AM to 5PM CST, Monday through Friday.

WARRANTY PERIOD

The general warranty lasts for the time period specified in the literature included with your product or on the official JET branded website, jettools.com.



WHO IS COVERED?

This warranty covers only the initial purchaser of the product from the date of delivery.

WHAT IS COVERED?

This warranty covers any defects in workmanship or materials subject to the limitations stated below. This warranty does not cover failures due directly or indirectly to misuse, abuse, negligence or accidents, normal wear-and-tear, improper repair, alterations or lack of maintenance.

HOW TO GET TECHNICAL SUPPORT

Please contact Technical Service by calling 1-855-336-4032. Please note that you will be asked to provide proof of initial purchase when calling. If a product requires further inspection, the Technical Service representative will explain and assist with any additional action needed. JET has Authorized Service Centers located throughout the United States. For the name of an Authorized Service Center in your area call 1-855-336-4032 or use the Service Center Locator on the JET website.

MORE INFORMATION

JET® is constantly adding new products. For complete, up-to-date product information, check with your local distributor or visit the JET website, jettools.com.

HOW STATE LAW APPLIES

This warranty gives you specific legal rights, subject to applicable state law.

LIMITATIONS ON THIS WARRANTY

JET LIMITS ALL IMPLIED WARRANTIES TO THE PERIOD OF THE LIMITED WARRANTY FOR EACH PRODUCT. EXCEPT AS STATED HEREIN, ANY IMPLIED WARRANTIES OF MERCHANTABILITY AND FITNESS FOR A PARTICULAR PURPOSE ARE EXCLUDED. SOME STATES DO NOT ALLOW LIMITATIONS ON HOW LONG AN IMPLIED WARRANTY LASTS, SO THE ABOVE LIMITATION MAY NOT APPLY TO YOU.

JET SHALL IN NO EVENT BE LIABLE FOR DEATH, INJURIES TO PERSONS OR PROPERTY, OR FOR INCIDENTAL, CONTINGENT, SPECIAL, OR CONSEQUENTIAL DAMAGES ARISING FROM THE USE OF OUR PRODUCTS. SOME STATES DO NOT ALLOW THE EXCLUSION OR LIMITATION OF INCIDENTAL OR CONSEQUENTIAL DAMAGES, SO THE ABOVE LIMITATION OR EXCLUSION MAY NOT APPLY TO YOU.

JET sells through distributors only. The specifications listed in JET printed materials and on official JET website are given as general information and are not binding. JET reserves the right to effect at any time, without prior notice, those alterations to parts, fittings, and accessory equipment which they may deem necessary for any reason whatsoever. JET® branded products are not sold in Canada by JPW Industries, Inc.

NOTE: JET is a division of JPW Industries, Inc. References in this document to JET also apply to JPW Industries, Inc., or any of its successors in interest to the JET brand.



2.0 TABLE OF CONTENTS

1.0 WARRANTY AND SERVICE	2
2.0 TABLE OF CONTENTS.....	4
3.0 SAFETY PRECAUTIONS.....	5
4.0 INTRODUCTION.....	6
5.0 SPECIFICATIONS.....	7
6.0 GENERAL INSTRUCTION.....	8
6.1 GENERAL LAYOUT OF LATHE.....	8
6.2 FOUNDATION PLAN	9
6.3 MOVING THE MACHINE WITH A FORKLIFT	10
7.0 INSTALLATION	11
7.1 LEVELING THE LATHE	11
7.2 CHUCK PREPARATION	12
7.3 CHUCK AND CHUCK MOUNTING (FOR D1-6 SPINDLE)	13
7.4 LUBRICATION CHECKS	13
7.5 COMPLETING INSTALLATION	14
7.6 BREAK-IN PERIOD	14
8.0 ELECTRICAL CONNECTIONS.....	14
9.0 OPERATION.....	14
9.1 LATHE CONTROLS.....	14
9.2 ELECTRICAL CONTROL PANEL	15
9.3 HEADSTOCK SELECTORS	15
9.4 THREADS AND FEEDS.....	15
9.5 APRON CONTROLS.....	16
9.6 THREADING DIAL INDICATOR.....	17
9.7 CROSS SLIDE AND TOP SLIDE	17
9.8 TAILSTOCK.....	18
9.9 END GEAR TRAIN.....	18
9.10 DRIVING BELTS	18
10.0 RECOMMENDED CUTTING SPEED OF LATHE	20
11.0 REPLACEMENT PARTS	20
12.0 WIRING DIAGRAM	68

3.0 SAFETY PRECAUTIONS

1. Read and understand the entire owner's manual before attempting assembly or operation.
2. Read and understand the warnings posted on the machine and in this manual. Failure to comply with all of these warnings may cause serious injury.
3. Replace the warning labels if they become obscured or removed.
4. This lathe is designed and intended for use by properly trained and experienced personnel only. If you are not familiar with the proper and safe operation of a lathe, do not use until proper training and knowledge have been obtained.
5. Do not use this lathe for other than its intended use. If used for other purposes, JET[®], disclaims any real or implied warranty and holds itself harmless from any injury that may result from that use.
6. Always wear approved safety glasses/face shields while using this lathe. Everyday eyeglasses only have impact resistant lenses; they are not safety glasses.
7. Before operating this lathe, remove tie, rings, watches and other jewelry, and roll sleeves up past the elbows. Remove all loose clothing and confine long hair. Non-slip footwear or anti-skid floor strips are recommended. Do not wear gloves.
8. Wear ear protectors (plugs or muffs) during extended periods of operation.
9. Some dust created by power sanding, sawing, grinding, drilling and other construction activities contain chemicals known to the state of California to cause cancer, birth defects or other reproductive harm. Some examples of these chemicals are:
 - Lead from lead based paint.
 - Crystalline silica from bricks, cement and other masonry products.
 - Arsenic and chromium from chemically treated lumber.Your risk of exposure varies, depending on how often you do this type of work. To reduce your exposure to these chemicals, work in a well-ventilated area and work with approved safety equipment, such as face or dust masks that are specifically designed to filter out microscopic particles.
10. Do not operate this machine while tired or under the influence of drugs, alcohol or any medication.
11. Make certain the switch is in the OFF position before connecting the machine to the power supply.
12. Make certain the machine is properly grounded.
13. Make all machine adjustments or maintenance with the machine unplugged from the power source.
14. Remove adjusting keys and wrenches. Form a habit of checking to see that keys and adjusting wrenches are removed from the machine before turning it on.
15. Keep safety guards in place at all times when the machine is in use. If removed for maintenance purposes, use extreme caution and replace the guards immediately after maintenance is complete.
16. Check damaged parts. Before further use of the machine, a guard or other part that is damaged should be carefully checked to determine that it will operate properly and perform its intended function. Check for alignment of moving parts, binding of moving parts, breakage of parts, mounting and any other conditions that may affect its operation. A guard or other part that is damaged should be properly repaired or replaced.
17. Do not use power tools in damp/wet locations or other dangerous environments. Do not expose them to rain. Keep work area well lighted. Provide for adequate space surrounding work area and non-glare, overhead lighting.
18. Keep the floor around the machine clean and free of scrap material, oil and grease.
19. Keep visitors a safe distance from the work area. Keep children away.
20. Make your workshop child proof with padlocks, master switches or by removing starter keys.
21. Give your work undivided attention. Looking around, carrying on a conversation and "horse-play" are careless acts that can result in serious injury.
22. Maintain a balanced stance at all times so that you do not fall or lean against moving parts. Do not overreach or use excessive force to perform any machine operation. Never force the cutting action.
23. Do not operate the lathe in flammable or explosive environments. Do not use in a damp environment or expose to rain.



24. Use the right tool at the correct speed and feed rate. Do not force a tool or attachment to do a job for which it was not designed. The right tool will do the job better and more safely.
25. Use recommended accessories; improper accessories may be hazardous.
26. Maintain tools with care. Keep cutting tools sharp and clean for the best and safest performance. Follow instructions for lubricating and changing accessories.
27. Do not attempt to adjust or remove tools during operation. Disconnect tools before servicing; when changing accessories, such as blades, bits, cutters, and the like.
28. Never stop a rotating chuck or workpiece with your hands.
29. Choose a low spindle speed when working unbalanced workpieces, and for threading and tapping operations.
30. Do not exceed the maximum speed of the workholding device.
31. Do not exceed the clamping capacity of the chuck.
32. Secure Work. For safety and use of both hands, use clamps or a vise to hold work when practical.
33. Workpieces longer than 3 times the chucking diameter must be supported by the tailstock or a steady rest.
34. Avoid small chuck diameters with large turning diameters.
35. Avoid short chucking lengths and small chucking contact.
36. Turn off the machine and disconnect from power before cleaning. Use a brush to remove shavings or debris — do not use your hands.
37. Do not stand on the machine. Serious injury could occur if the machine tips over.
38. Never leave the machine running unattended. Turn the power off and do not leave the machine until moving parts come to a complete stop.
39. Remove loose items and unnecessary work pieces from the area before starting the machine.
40. Direction of feed — feed work into a blade or cutter against the direction of rotation of the blade or cutter only.
41. Installation work and electrical wiring must be done by qualified electrician in accordance with all applicable codes and standards.
42. Tighten all locks before operating.
43. Rotate workpiece by hand before applying power.
44. Rough out workpiece before installing on faceplate.
45. Do not mount split workpiece or one containing knot.
46. Use lowest speed when starting new workpiece.

Familiarize yourself with the following safety notices used in this manual:

 **CAUTION**

This means that if precautions are not heeded, it may result in minor injury and/or possible machine damage.

 **WARNING**

This means that if precautions are not heeded, it may result in serious injury or possibly even death.

4.0 INTRODUCTION

This manual is provided by JET® covering the safe operation and maintenance procedures for a JET Model EGH-1740 and EGH-1760. This manual contains instructions on installation, safety precautions, general operating procedures, maintenance instructions and parts breakdown. Your machine has been designed and constructed to provide years of trouble-free operation if used in accordance with the instructions as set forth in this document.

If there are questions or comments, please contact your local supplier or JET. JET can also be reached at our web site: www.jettools.com. Retain this manual for future reference. If the machine transfers ownership, the manual should accompany it.

5.0 SPECIFICATIONS

MODEL	EGH-1740	EGH-1760
STOCK NUMBER	892100	892150
CAPACITY		
Swing over Bed	17 in.	
Swing over Cross Slide	11 in.	
Distance between Centers	40 in.	
BED		
Width of Bed	12 in.	
Swing Through Gap	24-1/4 in.	
Length of Gap	7-2/3 in.	
HEADSTOCK		
Spindle Mount	D1-6	
Spindle Bore	3-1/8 in.	
Number of spindle speeds	12	
Range of spindle speeds	36-1800 R.P.M	
Spindle Taper	MT-5	
CROSS SLIDE		
Cross Slide Travel	9-1/4 in.	
Top Slide Travel	6-2/7 in.	
TAIL STOCK		
Tailstock Spindle Travel	5 in.	
Tailstock Diameter	2-1/3 in.	
Taper in Tailstock Spindle	MT-4	
THREADS AND FEEDS		
Longitudinal feeds (IPR)	0.0015-0.04"	
Cross feeds (IPR)	0.00075-0.02"	
Inch threads Number/Range	(45) 2-72"	
Metric threads Number/Range	(39) 0.2-14mm	
D.P. threads Number/Range	(21) 8-44	
M.P. threads Number/Range	(18) 0.3-3.5	
ELECTRICS		
Motor	7-1/2HP, 230/460V, 3-PH Prewired 230V CSA/CUS Certified	
Coolant Pump Motor	1/8 HP	
Overall Dimensions	94.5 x 44 x 69 in.	114 x 44 x 69 in.
Machine Net Weight	3,748 lbs.	4,079 lbs.
Gross Weight	4,409 lbs.	4,740 lbs.

We reserve the right to modify and improve our products.

6.0 GENERAL INSTRUCTION

6.1 GENERAL LAYOUT OF LATHE

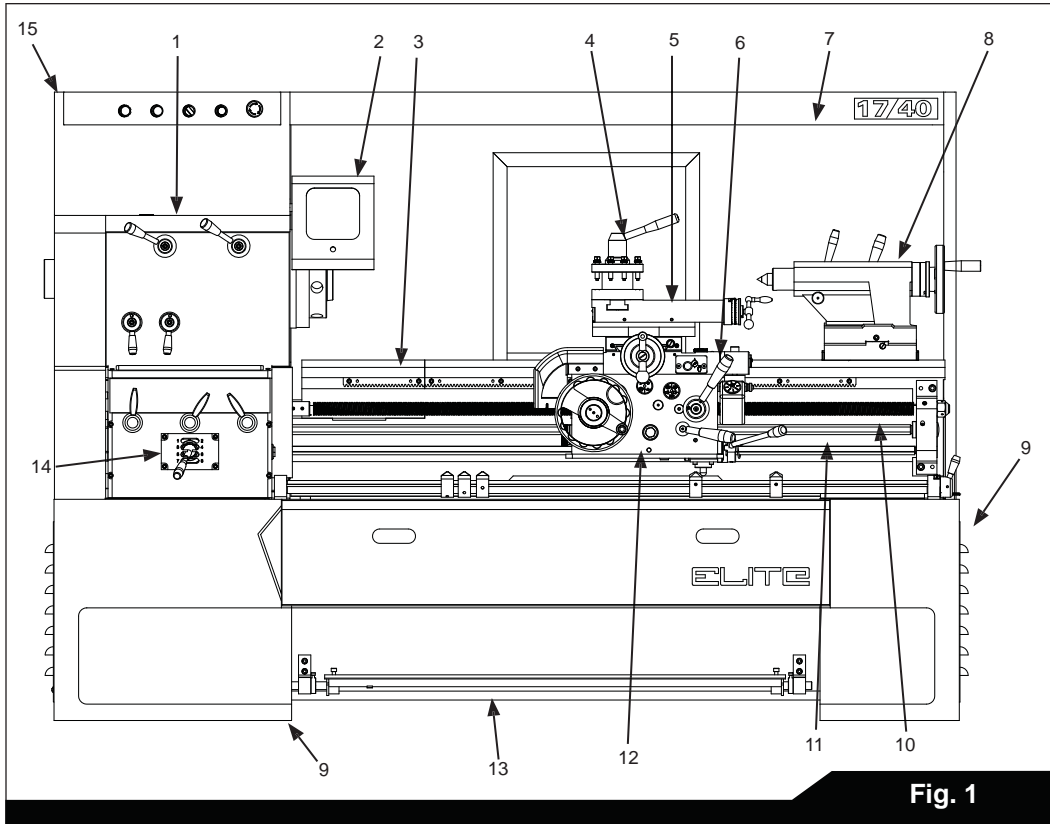
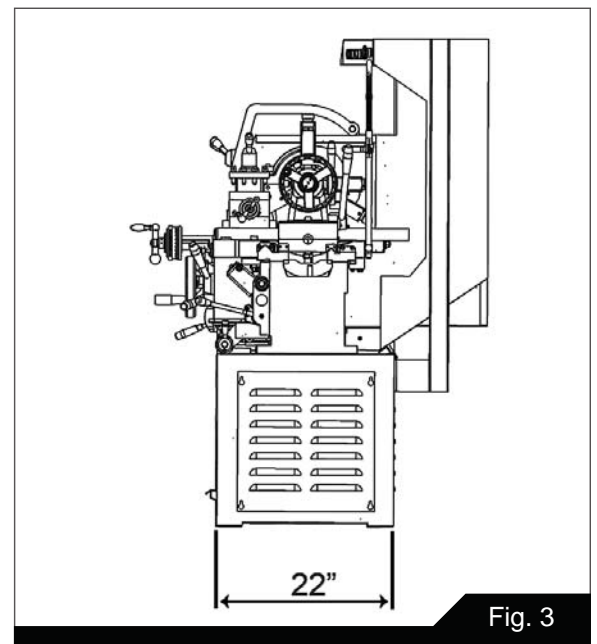
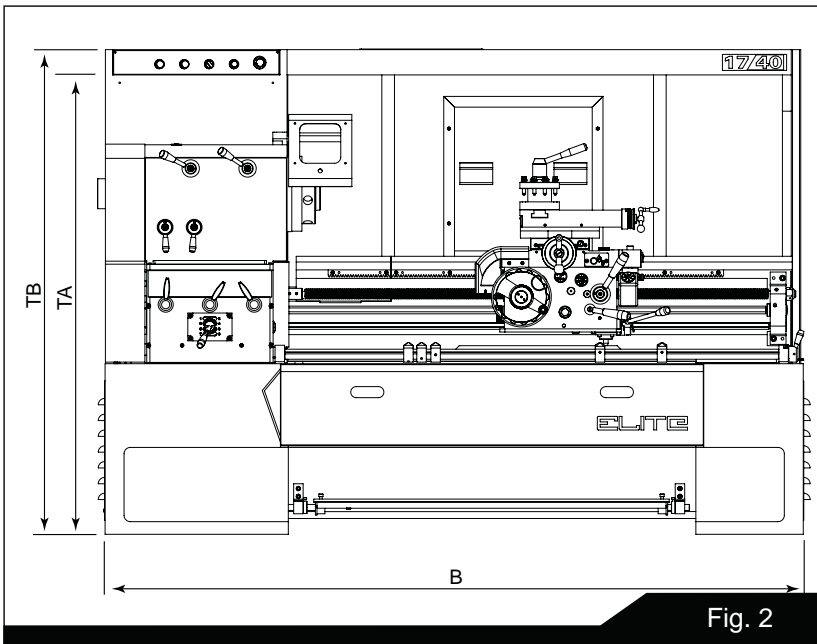


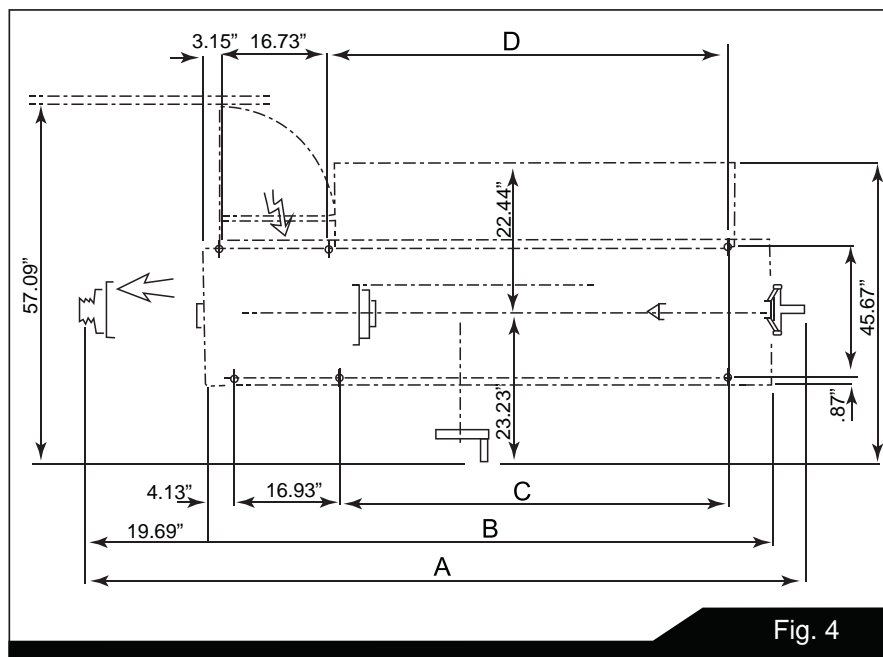
Fig. 1

- | | |
|---------------------------|----------------------------|
| 1. Headstock | 9. One piece solid stand |
| 2. Spindle | 10. Leadscrew |
| 3. Bed | 11. Feed shaft |
| 4. 4-Way tool post | 12. Apron |
| 5. Top slide | 13. Footbrake |
| 6. Saddle and Cross slide | 14. Gearbox |
| 7. Splash guard | 15. End cover (Gear train) |
| 8. Tailstock | |

6.2 FOUNDATION PLAN



Model	TA	TB
EGH-1740, EGH-1760	42.15"	48.25"



(One piece solid stand combined with the chip tray in the middle)

Model	A	B	C	D
EGH-1740	112.2"	87.0"	59.25"	60.43"
EGH-1760	131.88"	106.69"	78.93"	80.11"

6.3 MOVING THE MACHINE WITH A FORKLIFT

Preparation:

1. Ensure the power is disconnected from machine.
2. Move the saddle and tailstock to the far right side of machine in order to achieve balance.
3. Ensure that tailstock and saddle are firmly locked into place before attempting to move machine.

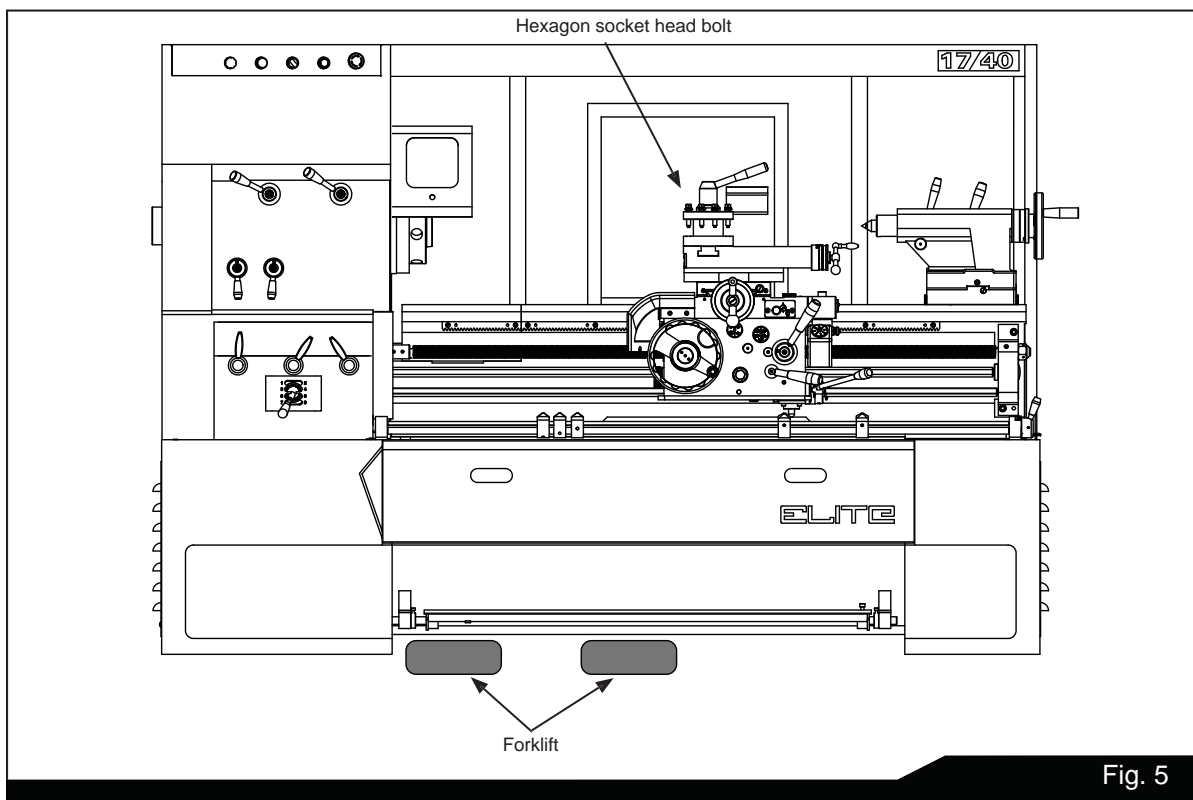


Fig. 5

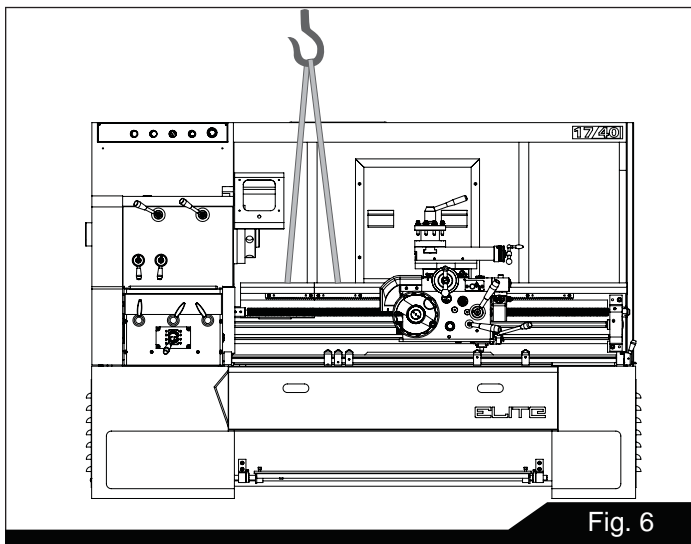
- Make sure that the minimum forklift capacity is more than 3 tons.
- Forklift work should be done by two people, an operator and watchman.
- Insert forks under the bed as close to the headstock as possible.
- Make sure to keep the machine's center of gravity spread evenly across the forks.

⚠ WARNING

Read and understand the entire contents of this manual before attempting set-up or operation. Failure to comply may cause serious injury.

7.0 INSTALLATION

1. Finish removing all crate material from around lathe.
2. Unbolt lathe from shipping pallet.
3. Choose a location for the lathe that is dry and has sufficient illumination (consult OSHA or ANSI standards for recommended lighting levels in workshop environments).
4. Allow enough room to service the lathe on all four sides, and to load and off-load work pieces. In addition, if bar work is to be performed, allow enough space for stock to extend out the headstock end. If used in production operations, leave enough space for stacking unfinished and finished parts.
5. The foundation must be solid to support the weight of the machine and prevent vibration, preferably a solid concrete floor.
6. The lathe's center of weight is near the headstock. Before lifting, move the tailstock and the carriage to the right end of the bed and lock them.
7. With properly rated lifting equipment, slowly raise lathe off shipping pallet. (see Figure 6). Do not lift lathe by the spindle.



⚠ CAUTION

Confirm that all suspension equipment is properly rated and in good condition for lifting lathe. Do not allow anyone beneath or near load while lifting.

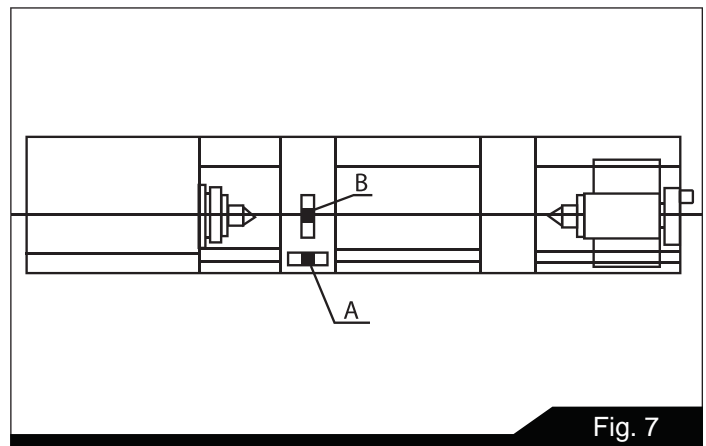
8. The lathe can be placed upon the cast iron leveling pads under each foot hole, and adjusted using the adjusting bolts with hex nuts. Or, it may be secured to the floor using bolts placed head-down in the concrete, and using shims where needed to level the machine. Refer to Figure 1 for mounting hole dimensions.

7.1 LEVELING THE LATHE

It is imperative that the lathe be on a level plane; that is, where headstock and tailstock center points remain aligned throughout the tailstock travel, with the bed ways absent of twist and thus parallel to the operational center line.

A lathe which is not properly leveled will be inaccurate, producing tapered cuts. Also, the center point of the tailstock will vary as it is positioned along the bed, thus requiring constant readjustment.

9. Use a machinist's precision level on the bed ways both front to back and side to side, as shown in Figure 7. Take the reading in one direction every ten inches. Make sure the ways are clean and free of any debris before placing a level upon them.
10. Deviation over bed length (see Figure 7):
 - (a) Maximum 0.02/1000mm
 - (b) Maximum 0.04/1000mm



11. Tighten foot screw nuts evenly to avoid distortion.
12. Leveling should be inspected occasionally, and especially if the accuracy of the lathe begins to diminish.

7.2 CHUCK PREPARATION

WARNING

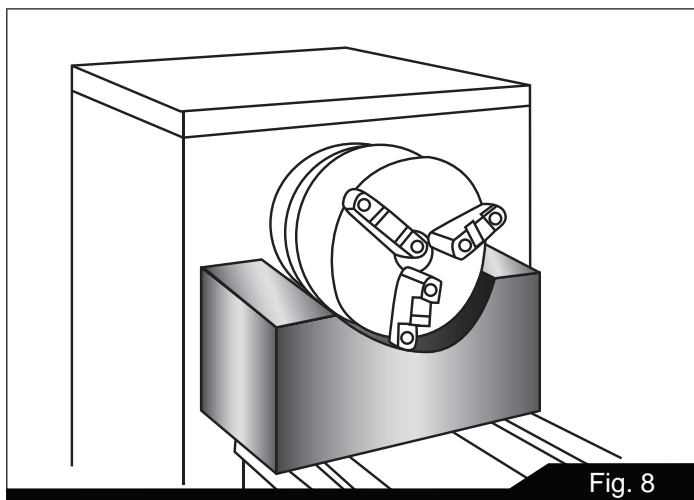
Read and understand all directions for chuck preparation. Failure to comply may cause serious injury and/or damage to the lathe.

WARNING

Chucks are heavy; use an assistant to help remove.

The three-jaw scroll chuck is shipped pre-installed on the lathe. It can be used for clamping cylindrical, triangular and hexagonal stock, and has reversible jaws.

The four-jaw chuck has independently adjustable jaws, and permits the holding of square and asymmetrical pieces. It also enables accurate concentric set-up of cylindrical pieces.

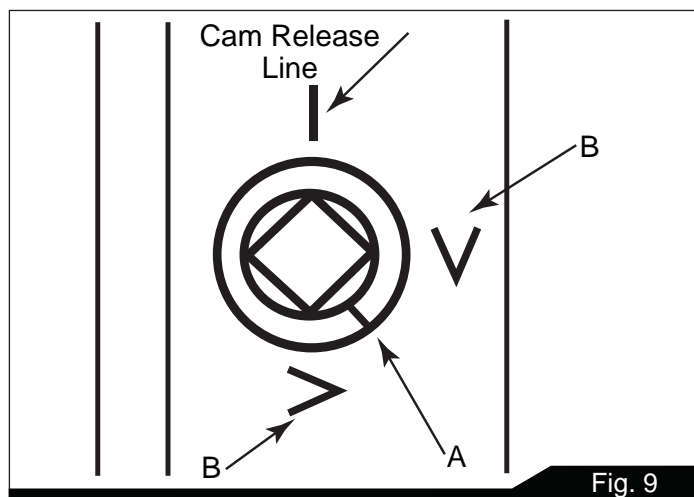


Before removing a chuck, place a flat piece of thick plywood across the bedways under the chuck to prevent damage to the bedways should the chuck fall from your hands. Alternatively, many users make a wood chuck cradle that sits atop the ways and accepts the specific

diameter of chuck, for easier installing and removal. Figure 8 shows an example.

To remove a chuck from the spindle:

1. Support the chuck while turning six camlocks 1/4-turn counterclockwise, using the chuck wrench from the tool box. See Figure 9.
2. Carefully remove the chuck from the spindle and place on a firm work surface. If the spindle seems stuck, use a mallet at various points on the back side to help free it from the spindle.
3. Inspect the camlock studs. Make sure they have not become cracked or broken during transit. Clean all parts thoroughly with solvent. Also clean the spindle and camlocks.
4. Cover all chuck jaws and the scroll inside the chuck with #2 lithium tube grease. Cover the spindle, camlocks, and chuck body with a light film of 20W oil.
5. Lift the chuck up to the spindle nose and press onto the spindle. Tighten in place by turning the camlocks 1/4 turn clockwise. The index mark (A, Figure 9) on the camlock should be between the two indicator arrows (B) when tight, as shown in Figure 9.
 - If the index mark (A) is not between the two arrows, i.e. the cam turns beyond the indicator arrows, then remove the chuck and turn the camlock stud IN one full turn.
 - If a camlock will not engage, remove the chuck and turn the camlock stud OUT one full turn.
6. Make sure chuck is secure on the spindle with the camlocks correctly engaged.



7.3 CHUCK AND CHUCK MOUNTING (FOR D1-6 SPINDLE)

⚠ WARNING

Use only high-speed chucks with these machines.

When fitting chucks or faceplate, ensure that spindle and chuck tapers are thoroughly cleaned and that all cams lock in the correct positions the first.

It may be necessary to re-set the camlock studs (A) when mounting a new chuck. To do this, remove the hexagon socket locking screws (B) and set each stud so that the scribed ring (C) is flush with the rear face of the chuck - with the slot - lining up with the locking screw hold.

Now mount the chuck or faceplate on the spindle nose and tighten the six cams in turn.

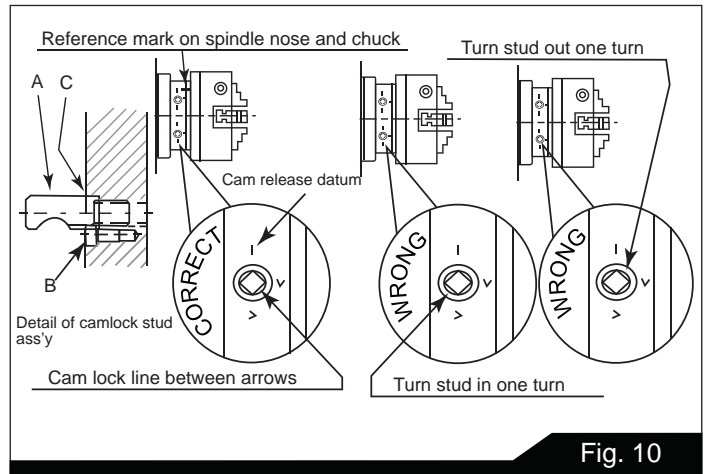
When fully tightened, the cam lock line on each cam should be between the two V marks on the spindle nose.

If any of the cams do not tighten fully within these limit marks, remove the chuck or faceplate and readjust the stud as indicated in the illustration.

Fit and tighten the locking screw (B) at each stud before remounting the chuck for work. A reference mark should be made on each correctly fitted chuck or faceplate to coincide with the reference scribed on the spindle nose. This will assist subsequent remounting.

Note: Do not interchange chucks or faceplates between lathes without checking for correct cam lock.

Take careful note of speed limitations when using faceplates; 12 inch faceplates should not be run at speeds higher than 1000 rev/min. and 14 inch faceplates should not be run at speeds higher than 770 rev/min.



7.4 LUBRICATION CHECKS

Headstock/Gearbox/Carriage, Apron/Tailstock

Before operating the machine, make the following important checks:

- The headstock is filled to the correct level with 11.5 liters of R-32 oil, or equivalent. Check oil weekly and change the oil every 6 months.
- The gearbox is filled to the level marked on the oil sight window with 1.8 liters of R-68 oil, or equivalent. Check oil weekly and change the oil every year.
- The carriage apron is filled to the level marked on the oil sight window with 1.8 liters of R-68 oil or equivalent. Check oil weekly and change the oil every year.
- In addition, using an oil can, apply oil to the points shown on lubrication diagram which require daily oiling. Use light machine oil or way lubricant.
- Before each working shift, operate the one shot lubrication pump to ensure adequate lubrication of carriage slideways.

A manually operated one shot lubrication pump (A) is incorporated into the apron. It enables the operator to ensure that the slideways are kept adequately lubricated. The pump should be operated before and occasionally during the work period.

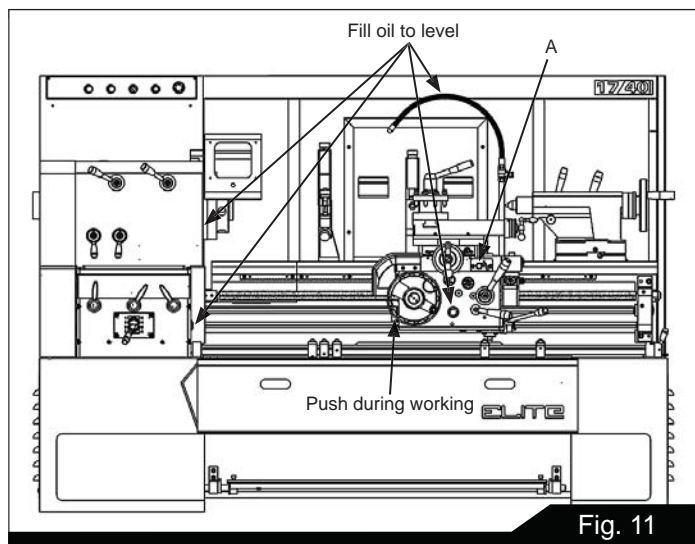


Fig. 11

Oil can be added or drained via hex drain plug located in the bottom plate of the apron.

In addition to the one shot lubrication, oiler points are provided for the saddle cross-slide and cross-slide nut. Use a standard oil can with light machine oil or way lubricant.

On the tailstock and tail end of leadscrew, lubrication points are provided for daily attention from a standard oil can.

It is recommended that all slideways, the leadscrew and feed shaft are cleaned daily and then lightly lubricated.

7.5 COMPLETING INSTALLATION

13. Exposed metal surfaces have been coated with a rust protectant. Remove this using a soft rag and mild commercial solvent or kerosene. Do not use paint thinner, gasoline, or lacquer thinner, as these will damage painted surfaces. Cover all cleaned surfaces with a light film of SAE-20W machine oil, such as Mobil DTE Oil Heavy Medium.
14. Open the end gear cover. Clean all components of the end gear assembly and coat all gears with a heavy, non-slinging grease. Close the end gear cover. (Note: A limit switch prevents the lathe from operating when the end gear cover is open.)

7.6 BREAK-IN PERIOD

Do not run the lathe above 560 RPM for the first six hours of operation, to allow gears and bearings to adapt and run smoothly.

8.0 ELECTRICAL CONNECTIONS

WARNING

Electrical connections must be made by a qualified electrician in compliance with all relevant codes. This machine must be properly grounded while in use to help protect the operator from electrical shock and possible fatal injury.

Confirm that power available at the lathe's location is the same rating as the lathe.

IMPORTANT: The lathe must be wired properly and phased correctly. The spindle should rotate counterclockwise (as viewed from the tailstock end) while the feed rod rotates clockwise (as viewed from the tailstock end). If the phasing needs correction, disconnect lathe from power source and switch any two of the three power leads (not the green ground wire).

Make sure the lathe is properly grounded.

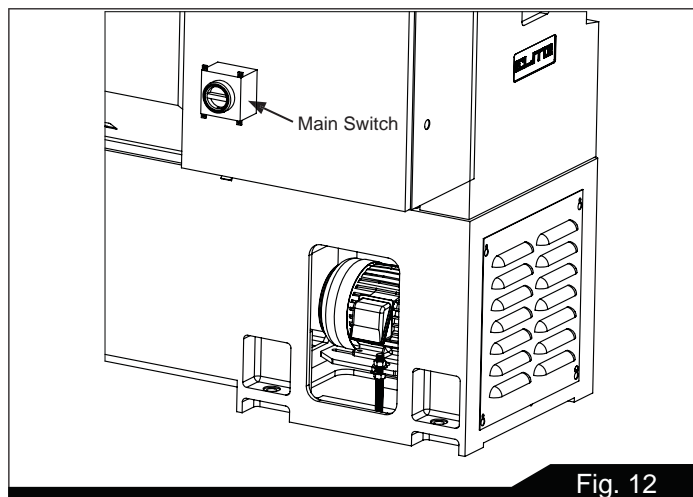


Fig. 12

9.0 OPERATION

9.1 LATHE CONTROLS

- A. Headstock selector
- B. Electrical control
- C. Gearbox (threads and feeds)
- D. Apron control units, for surfacing, sliding and

threading controls.

E. Spindle rotation, forward, stop and reverse.

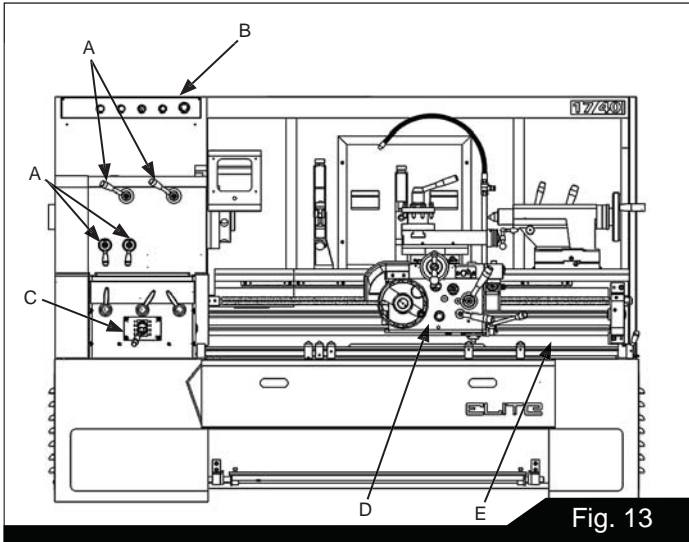


Fig. 13

9.2 ELECTRICAL CONTROL PANEL

With the exception of the lathe isolator, all electrical controls are fitted onto the front face of the headstock.

1. WORK LAMP: On/Off switch.
2. POWER INDICATOR LIGHT: When the power is on, the indicator light glows.
3. COOLANT PUMP: On/Off switch.
4. JOG BUTTON: Push it to move spindle slightly, this will make spindle speed selection easier.
5. EMERGENCY STOP SWITCH: Press in order to kill all electric power to lathe.

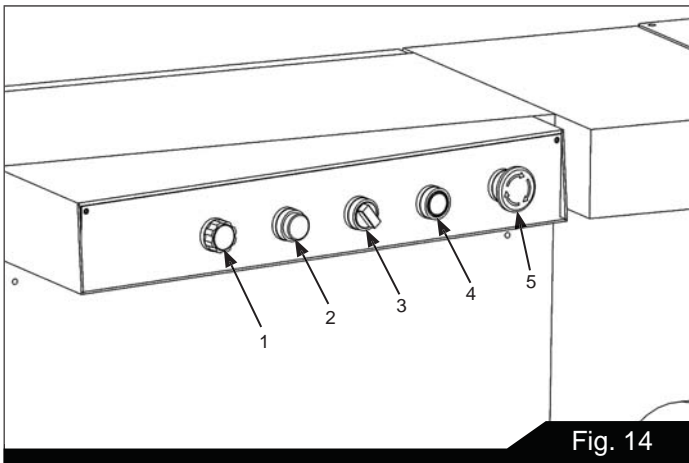


Fig. 14

9.3 HEADSTOCK SELECTORS

Spindle speed selector

1. The upper two selectors on the headstock are for spindle speed selection. There are 16 spindle speeds, as shown on speed chart, divided into four groups. Each speed is the result of combining the above two selectors.
2. For instance, if 1000 r.p.m. of spindle speed is to be chosen, then move left selector to D, and two-speed motor switch to low range.

H-N-L selector for gearbox

1. Following each feed rate or thread pitch on gearbox thread and feed chart, there is a prefix of either H or L.
2. Move H-N-L selector to H or L accordingly for feeding or threading. If this lever is positioned at N, the headstock rotation will not be transmitted to gearbox.

Apron orientation selector

1. This selector may affect the rotation orientation of the lead screw, feed rod and henceforth the movement direction of apron.
2. Right-hand arrow (toward tailstock) is used for cutting right-hand threads. Left-hand arrow (toward end-guard) is used for cutting left-hand threads.

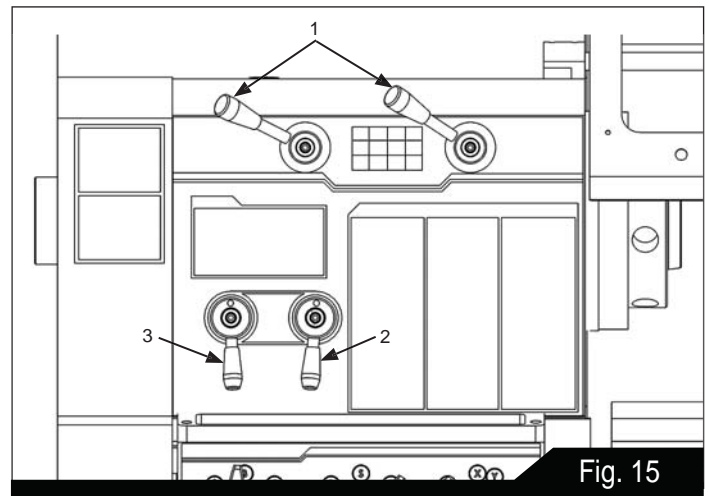


Fig. 15

9.4 THREADS AND FEEDS

Gearbox, thread and feed selectors

All the thread pitches and feeds directly available from the gearbox are shown on the data plate fitted on the front of headstock and the positioning control levers are (G1), (G2), (G3), and (G4).

End gear trains diagram

The end gear train should be arranged as in the diagram shown on the dataplate (G5) to meet threading requirements.

Feeds:

Sliding feeds per spindle revolution range from 0.0015 to 0.04 inch (0.04mm to 1.0mm).

Surfacing feeds per spindle revolution range from 0.00075 to 0.02 inch (0.02 to 0.5mm).

Threads & Feeds	
Whitworth threads: Kinds / Range	45 Kinds / 2–72 T.P.I.
Metric threads:	39 Kinds / 0.2–14mm
Diametral pitch (D.P.) worm gear	21 Kinds / 8–44 D.P.
Module pitch (M.P.) worm gear	18 Kinds / 0.3–3.5 M.P.
Longitudinal feeds	0.04–1.0mm (0.0015" – 0.04")
Cross feeds	0.02–0.5mm (0.00075" – 0.02")

Gearbox Selectors

- (G1) A,B,C three section selector
- (G2) R,S,T three section selector
- (G3) 1–8 eight section selector
- (G4) W–Z five section selector
- (G5) End gear train diagram

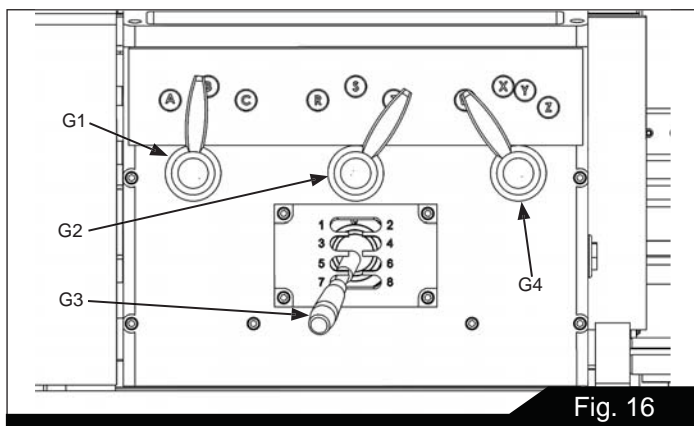


Fig. 16

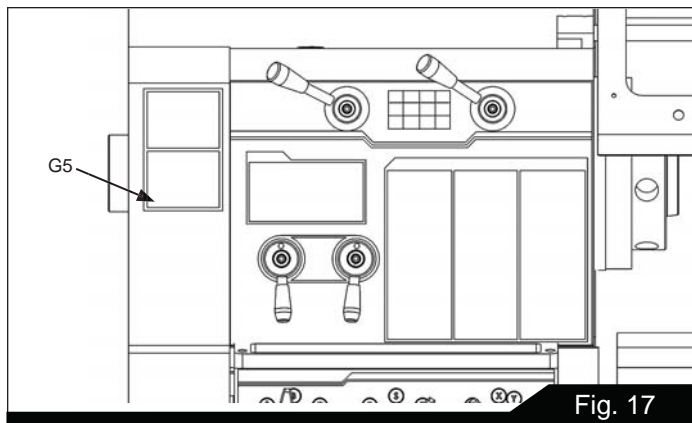


Fig. 17

9.5 APRON CONTROLS

In addition to handwheel traverse the carriage can be power-operated through controls on the front of the apron.

Lever (A) is moved down for power operation and up for manual.

The push-pull knob (B) selects power surfacing (cross feed) when pulled out, sliding feeds are selected when the knob is pushed right in. The adjacent push pull knob (C) controls forward or backward feed direction.

Lever (D) is pressed downward to engage the leadscrew nut for screwcutting. To avoid undue wear, release the nut except when thread cutting, an interlock within the apron prevents inadvertent engagement of levers A and D at the same time.

Note: Do not use headstock lever for reversing feeds except during left-hand screwcutting; Use instead, the apron handle (C).

Feed-trip adjustment: A trip mechanism is incorporated in the apron, enabling saddle and/or cross-slide to be fed up to fixed stops. Trip loads can be set high or low by adjustment of the knurled handwheel (F) on the side of the apron. The apron handwheel may be disengaged from its gear train during power operation or when thread cutting by pulling the handwheel outwards to on other spring-ball detent.

Note: This does not apply when the longitudinal dial accessory is fitted.

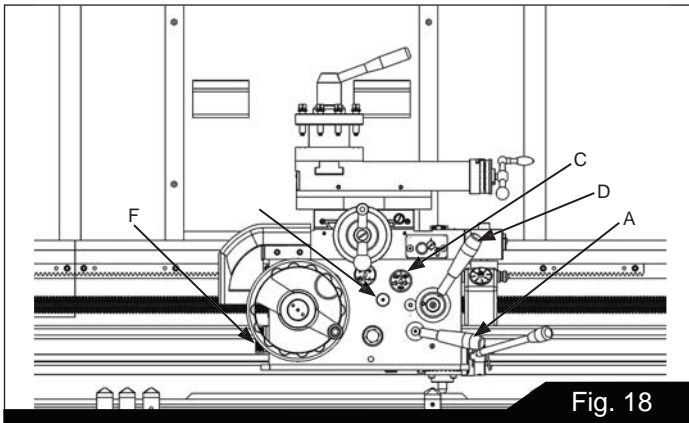


Fig. 18

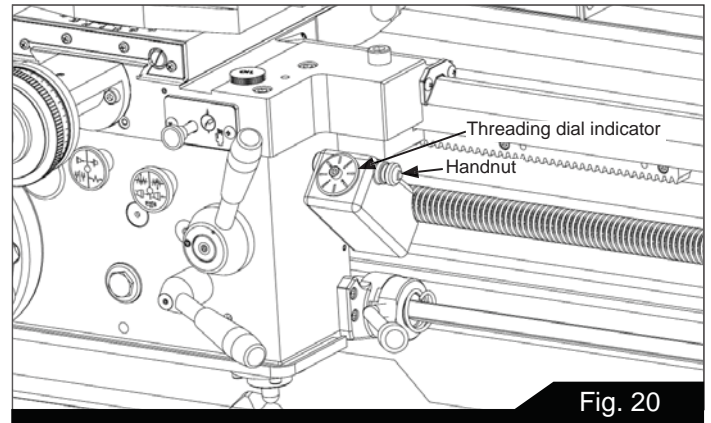


Fig. 20

9.6 THREADING DIAL INDICATOR

For threads cutting:

- Tighten the handnut to retain indicator in when engaging the indicator with the leadscrew. When not required, release hand-nut and swing indicator out of engagement.
- To cut threads with an even number per inch, the leadscrew nut can be closed as any line on the dial passes the datum mark.
- To cut threads with an odd number per inch, close the leadscrew nut at any NUMBERED line.
- Fractional threads of 1/2 or 1/4 T.P.I. may be cut by closing the nut at the SAME NUMBERED LINE on each pass of the tool.
- This dial can not be used with an IMPERIAL leadscrew to cut metric threads, D.P., M.P. which are shown on gear box data plate. For the threads being shown, the leadscrew nut must be kept closed. Use apron control lever after each thread cutting when the tool is withdrawn to original start of thread cutting operation.

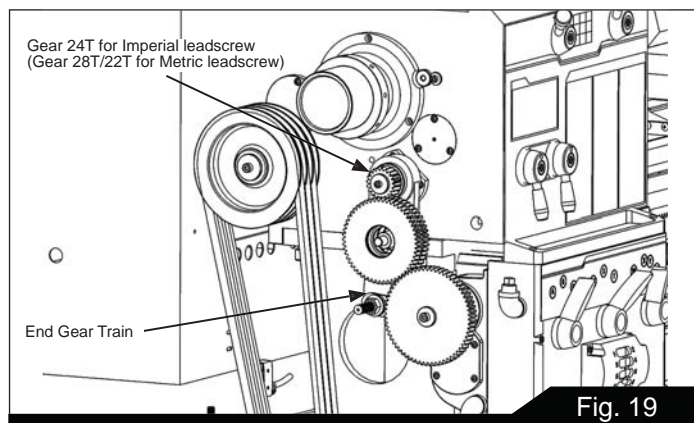


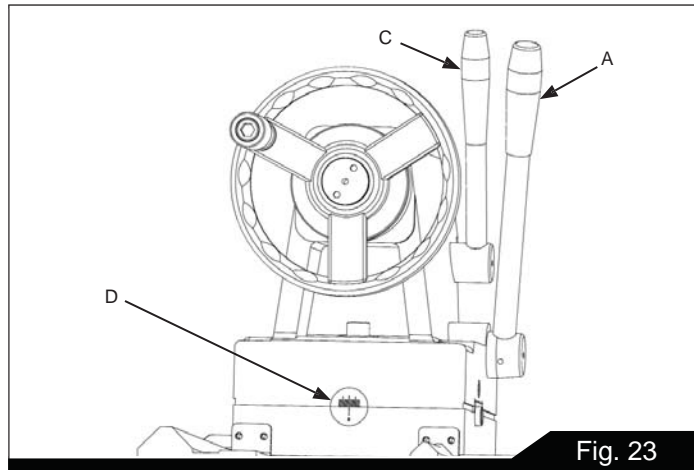
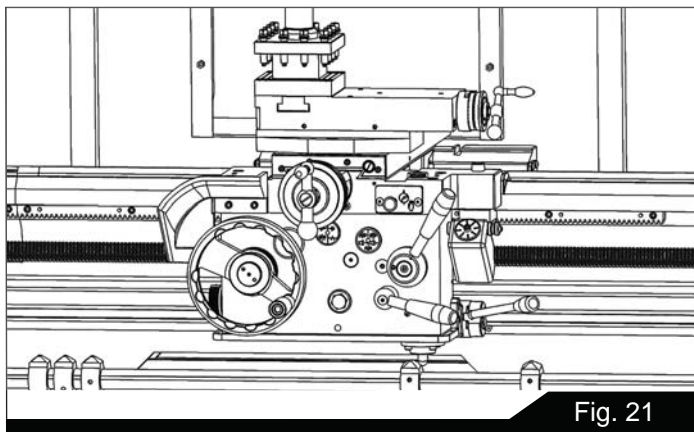
Fig. 19

Multi-start threads can be cut on a lathe in three ways:

1. By repositioning the compound (top) slide one pitch forward for each start. Note that the slide is normally set at 90° to the axis of the machine cross-slide. The accuracy of this method depends upon the skill of the operator.
2. By using an accurately divided driver plate and turning the work-piece one division forward for each start.
3. By advancing the driver gear a calculated number of turns to advance the spindle by one pitch of the thread to be cut. The accuracy of this method is that of the machine.
 - With all series lathes, two ratios exist between the spindle and driver gear shift, i.e. the LOW range where the ratio is 1:2 and the HIGH range where the ratio is 2:1
 - In order to use this method, the number of teeth on the driver gear must be divisible by the number of starts being cut. The driver gear is then advanced by half this number of teeth when in LOW range. And conversely, by twice the number of teeth when in HIGH range.
 - On the standard end gear train for this machine the driver gear has 24 teeth; so that two, three or four start threads, can readily be cut. For other odd numbers of start a choice must be made of methods 1 or 2.

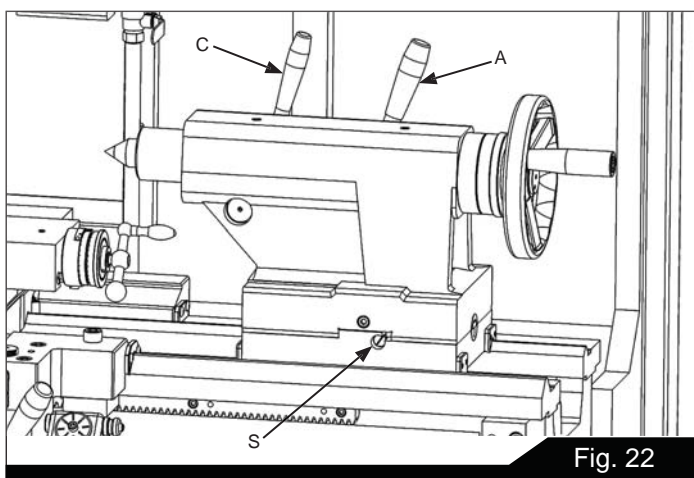
9.7 CROSS SLIDE AND TOP SLIDE

- A solid topslide is fitted as standard equipment to the cross-slide mounted on a swivel base which is marked 0-90-0-90° for accurate indexing.
- Handwheel dials are graduated in inch or metric divisions to suit the operation.



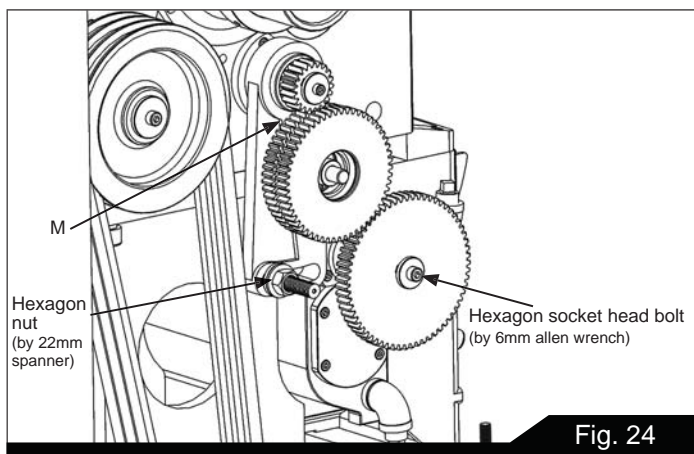
9.8 TAILSTOCK

- The tailstock can be freed for movement along the bed by unlocking the clamp lever (A).
- Additional clamping may be obtained by tightening the large nut (B) located in a recess below the handwheel.
- Release this clamping nut before attempting to move the tailstock or completion of the job that required the extra clamping.
- The tailstock barrel can be locked by lever (C).
- The tailstock also can be offset for turning shallow tapers or for realignment.
- Release the clamping lever (A) and adjust screw (S) at each side of the base to move tailstock laterally across the base.
- An indication of the offset is given by the datum mark (D) at the tailstock end face, as picture shows.
- Tighten clamp lever after adjusting offset.



9.9 END GEAR TRAIN

1. Drive from headstock to gear box is transmitted through a gear train enclosed by the headstock end guard. Intermediate gears are carried on an adjustable swing-frame (M).
2. Gears must be thoroughly cleaned before fitting and backlash must be maintained at 0.005" (0.127mm) for correct meshing.
3. Lubricate gears regularly with thick oil or grease.



9.10 DRIVING BELTS

1. To modify belt tension, remove the cover plate on back of the headstock and adjust the screws (X) on the hinged motor platform.
2. Ensure that the motor is correctly aligned with the lathe axis.
3. Apply light finger pressure at a point midway

between motor and head-stock pulleys, the resulted depression will be about 3/4" (19mm) when under tension.

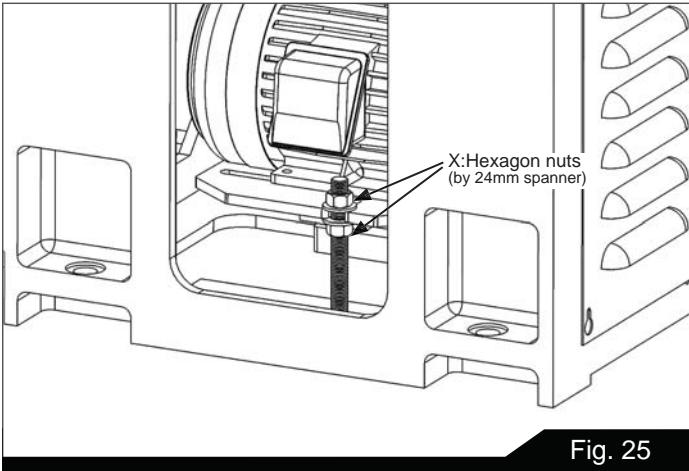


Fig. 25

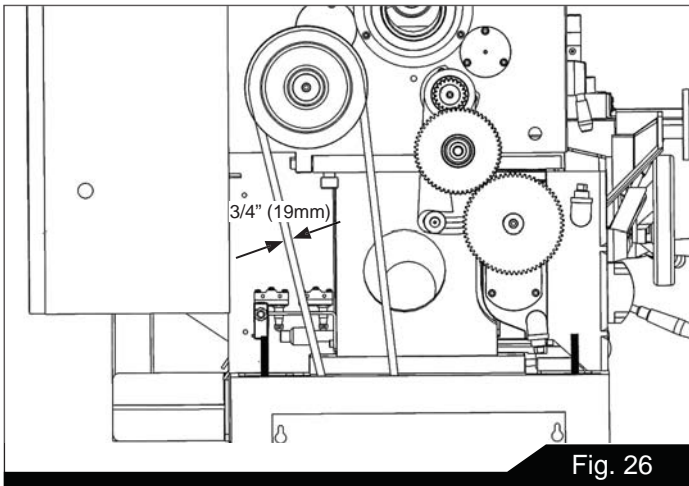


Fig. 26



10.0 RECOMMENDED CUTTING SPEED OF LATHE

Metal	Depth of Cut(mm)		Power Feed(mm/rev)			
	2.0-4.0	0.4-1.6	0.13-0.4	0.25-0.5		0.2-0.3
SAE1010-1025	62-143 112	112-187 150	150-450 200			
SAE1030-1005	60-120 90	90-150 120	120-300 165			
SAE1112-1120	82-143 112	112-187 150	150-450 200			
SAE1314-X1340	75-135 105	105-165 135	120-360 180			
SAE1330-1350	45-105 75	75-135 105	90-240 142			
SAE2015-2320	75-135 105	105-165 135	120-360 180			
SAE2330-2515	60-120 90	90-150 120	120-300 165			
SAE3115-3140	60-120 90	90-150 120	120-300 165			
SAE3145-3450	45-105 75	75-135 105	90-240 142			
SAE4130-4820	45-105 75	75-135 105	90-240 142			
SAE5120-52100	45-105 75	75-135 105	90-240 142			
SAE6115-6195	45-105 75	75-135 105	90-240 142			
SAE Cast Steel	60-120 90	90-150 120	90-240 165			

m/min

11.0 REPLACEMENT PARTS — EGH-1740 AND EGH-1760

Replacement parts are listed on the following pages. To order parts or reach our service department, call 1-855-336-4032, Monday through Friday (see our website for business hours, www.jettools.com). Having the Model Number and Serial Number of your machine available when you call will allow us to serve you quickly and accurately.

JET®

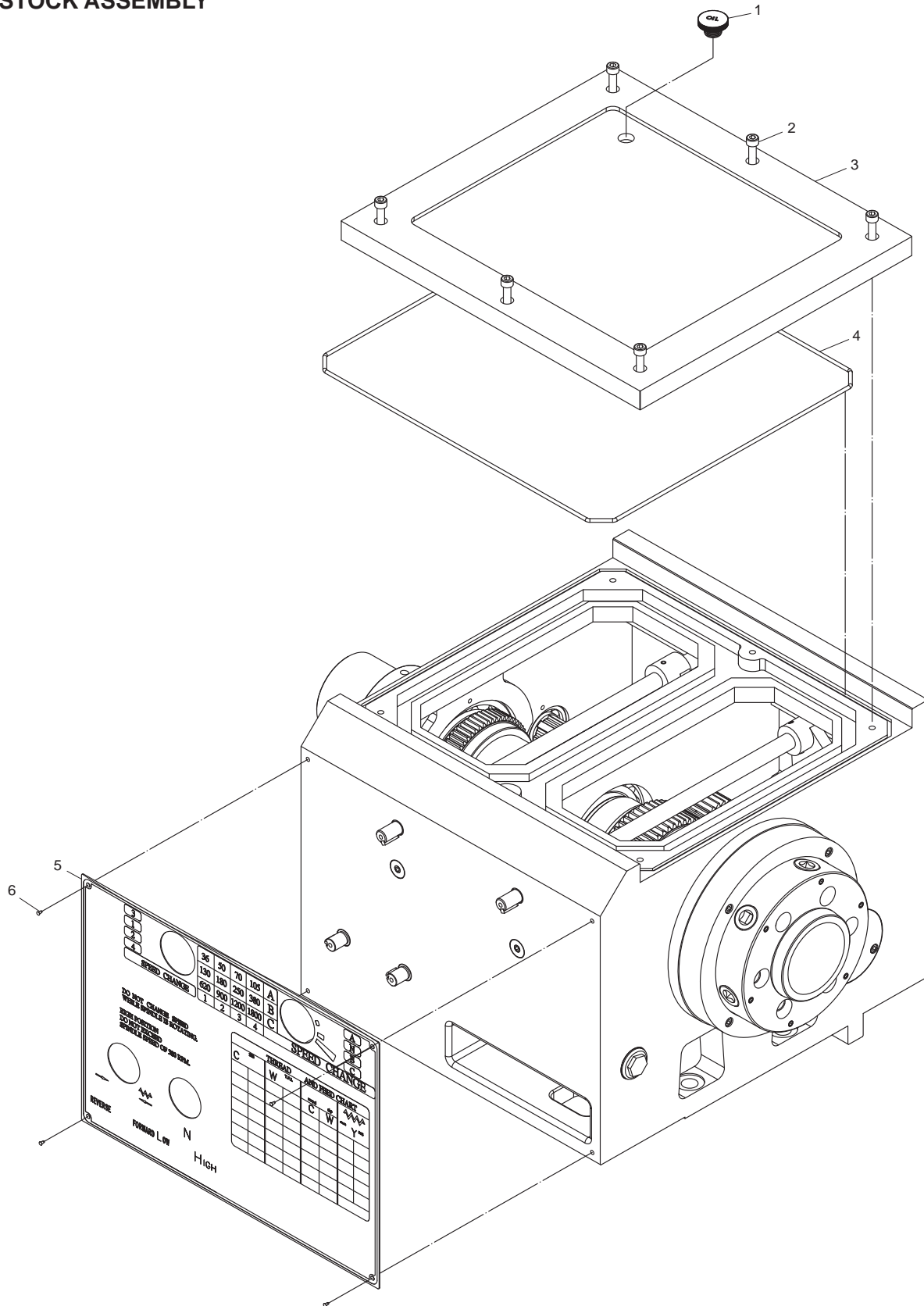
427 New Sanford Road

LaVergne, Tennessee 37086

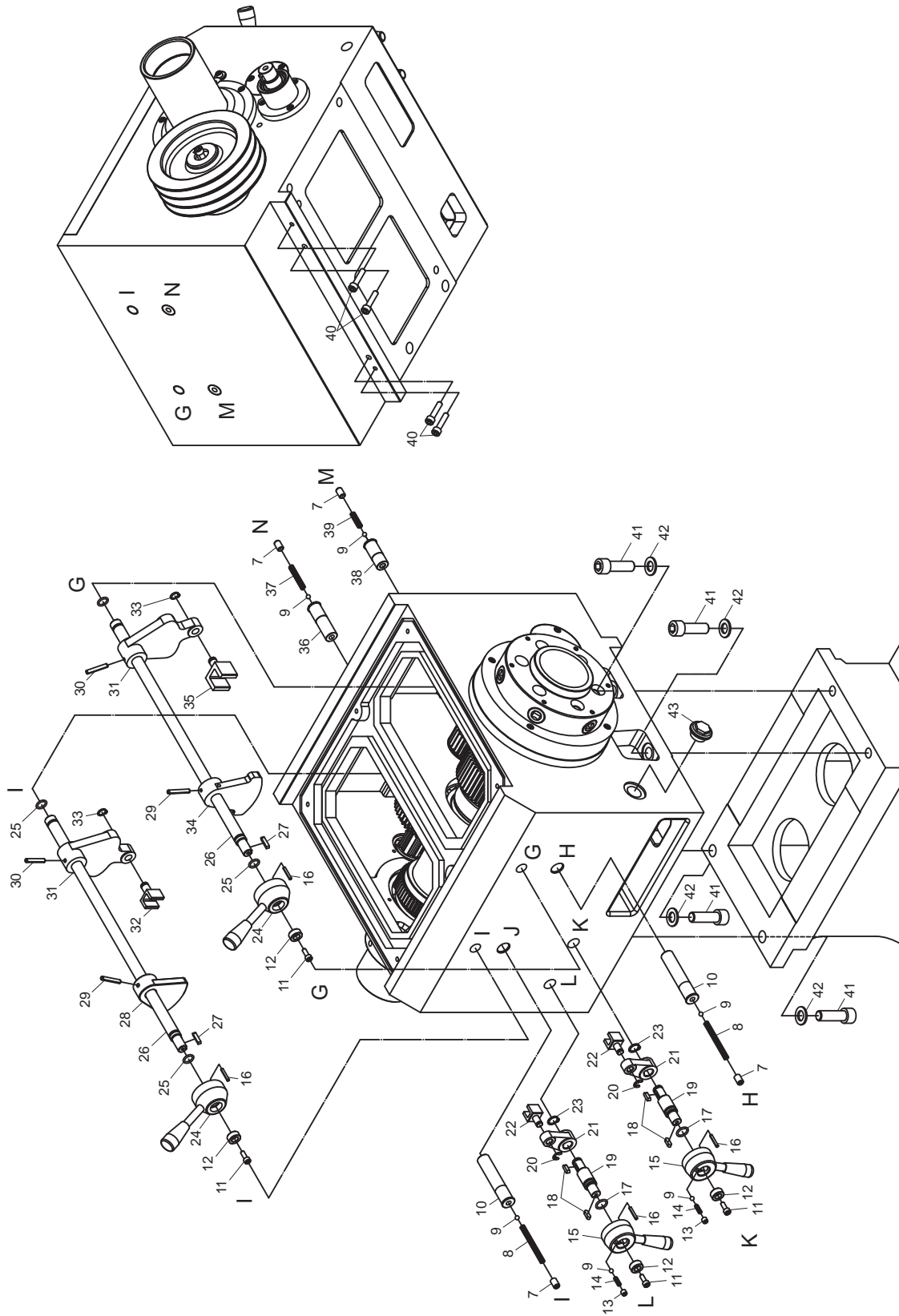
www.jettools.com

Phone: 855-336-4032

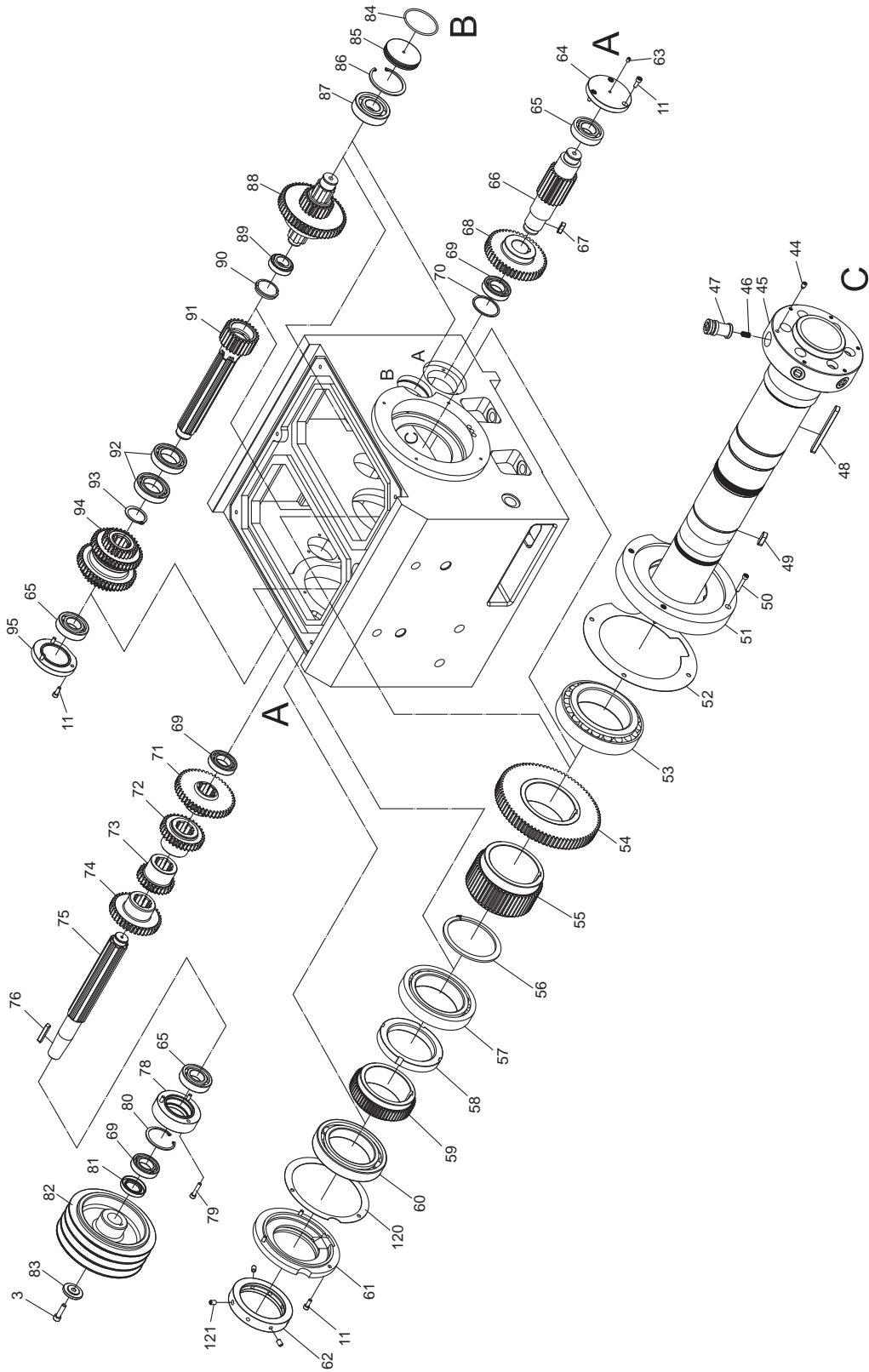
HEADSTOCK ASSEMBLY



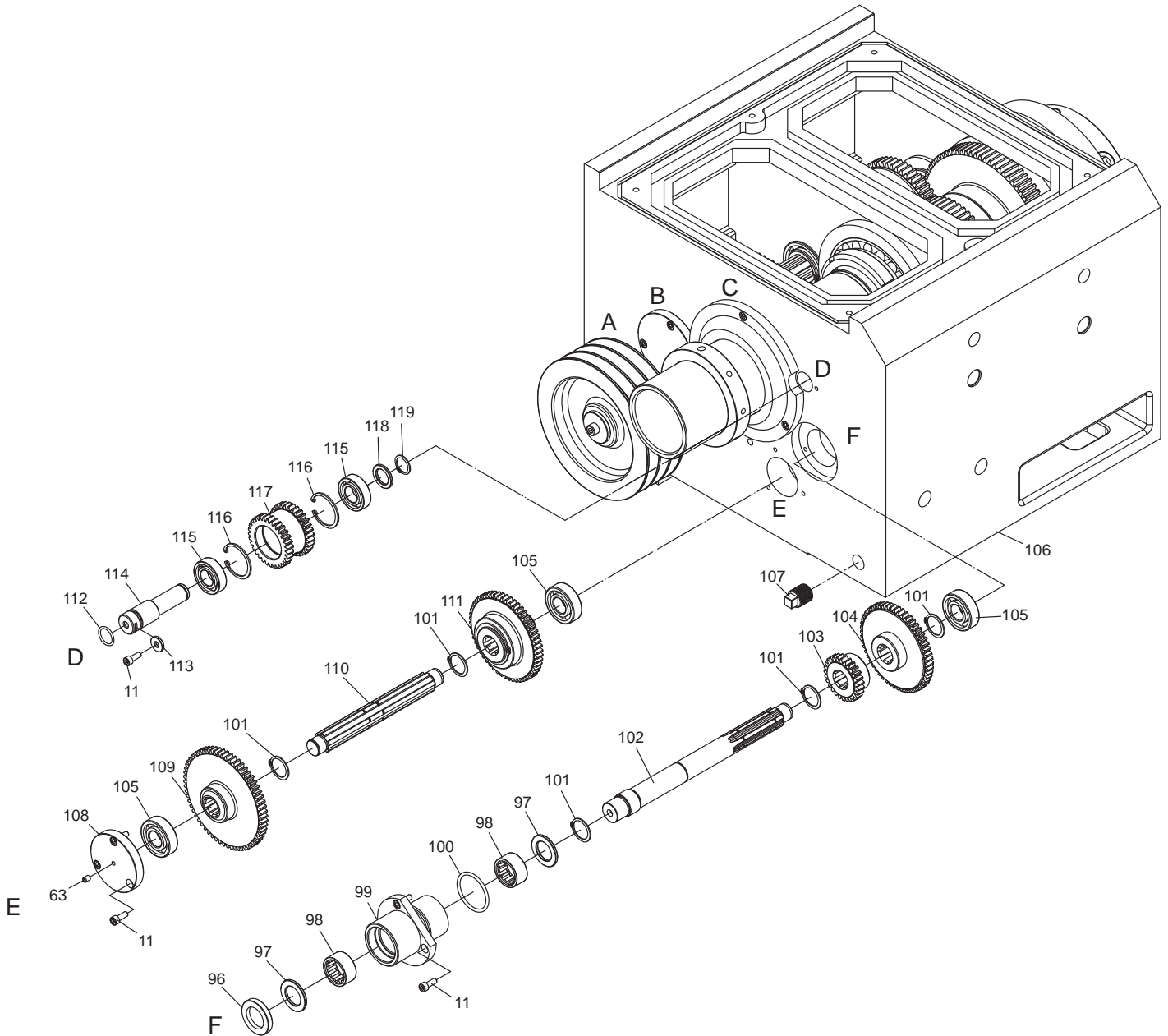
HEADSTOCK ASSEMBLY



HEADSTOCK ASSEMBLY



HEADSTOCK ASSEMBLY



HEADSTOCK ASSEMBLY PARTS LIST

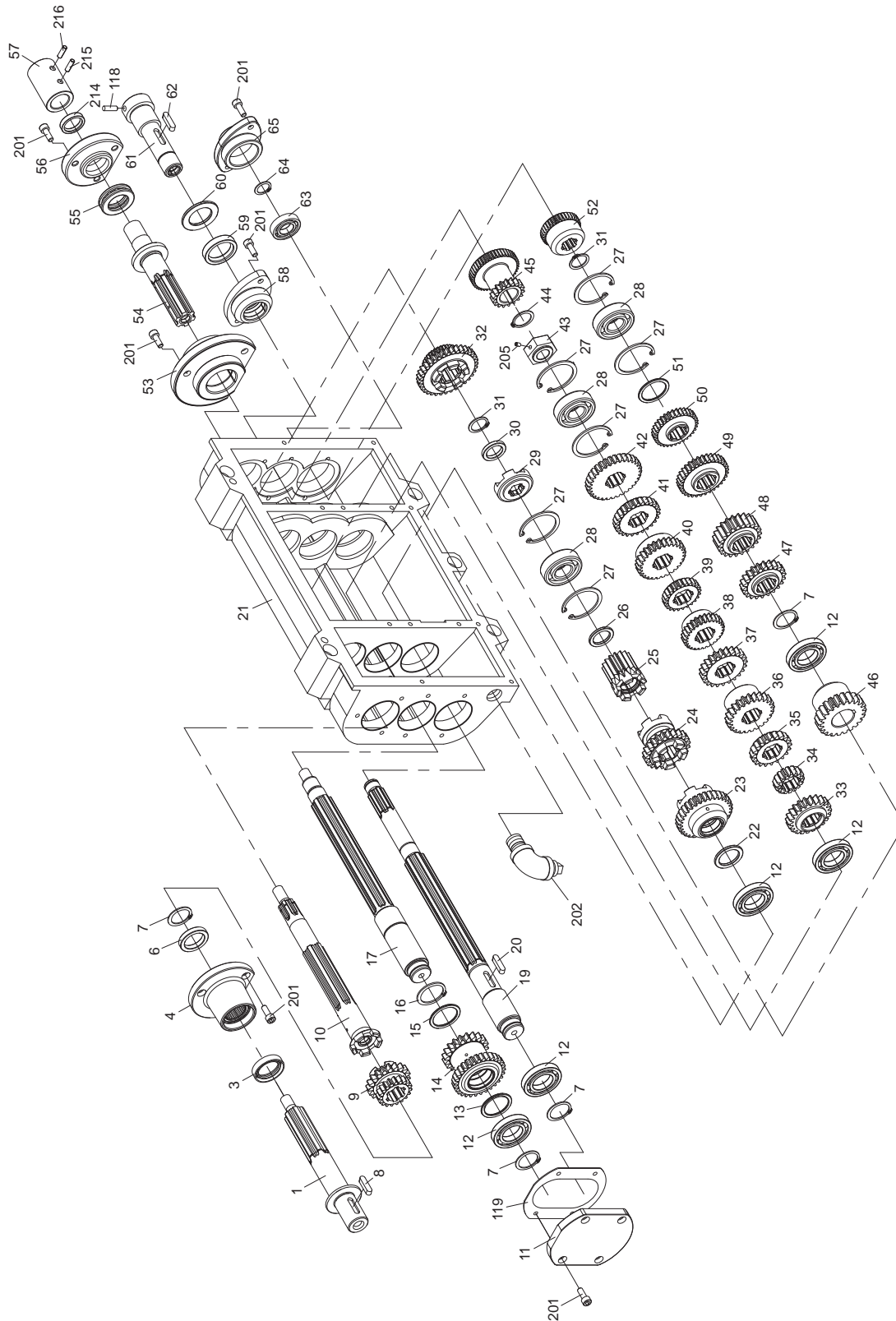
Index No.	Part No.	Description	Size	Qty.
1	EGH1740-A01	Oil Cover	3/4"	1
2	TS-1504061	Hex. Socket Head Bolt	CAP 8x30	7
3	EGH1740-A03	Headstock Cover		1
4	EGH1740-A04	"O" Ring	Ø4x1800	1
5	EGH1740-A05	Name Plate		1
6	EGH1740-A06	Rivet	Ø2	4
7	TS-1525031	Set Screw	SET 10x16	4
8	EGH1740-A08	Spring		2
9	EGH1740-A09	Steel Ball	Ø1/4"	6
10	EGH1740-A10	Bush		2
11	TS-1503041	Hex. Socket Head Bolt	CAP 6x16	20
12	EGH1740-A12	Washer		4
13	TS-1524011	Set Screw	SET 8x8	2
14	EGH1740-A14	Spring		2
15	EGH1740-A15	Hub & Handle	Assembly for replacement	2
16	EGH1740-A16	Spring Pin	Ø4x25	4
17	EGH1740-A17	"O" Ring	P16	2
18	EGH1740-A18	Key	5x5x16L	4
19	EGH1740-A19	Shaft		2
20	EGH1740-A20	Clip	E8	2
21	EGH1740-A21	Clip		2
22	EGH1740-A22	Fork		2
23	EGH1740-A23	Clip	S15	2
24	EGH1740-A24	Hub & Handle	Assembly for replacement	2
25	EGH1740-A25	"O" Ring	P14	4
26	EGH1740-A26	Rod		2
27	EGH1740-A27	Key	5x5x22L	2
28	EGH1740-A28	Lever		1
29	EGH1740-A29	Spring Pin	Ø6x36	1
30	EGH1740-A30	Spring Pin	Ø6x40	2
31	EGH1740-A31	Lever		2
32	EGH1740-A32	Fork		1
33	EGH1740-A33	Clip (S12)		2
34	EGH1740-A34	Lever		1
35	EGH1740-A35	Lever		1
36	EGH1740-A36	Bush		1
37	EGH1740-A37	Spring		1
38	EGH1740-A38	Bush		1
39	EGH1740-A39	Spring		1
40	EGH1740-A40	Hex. Socket Head Bolt	CAP 8x35	4
41	EGH1740-A41	Hex. Socket Head Bolt	CAP 6x50	4



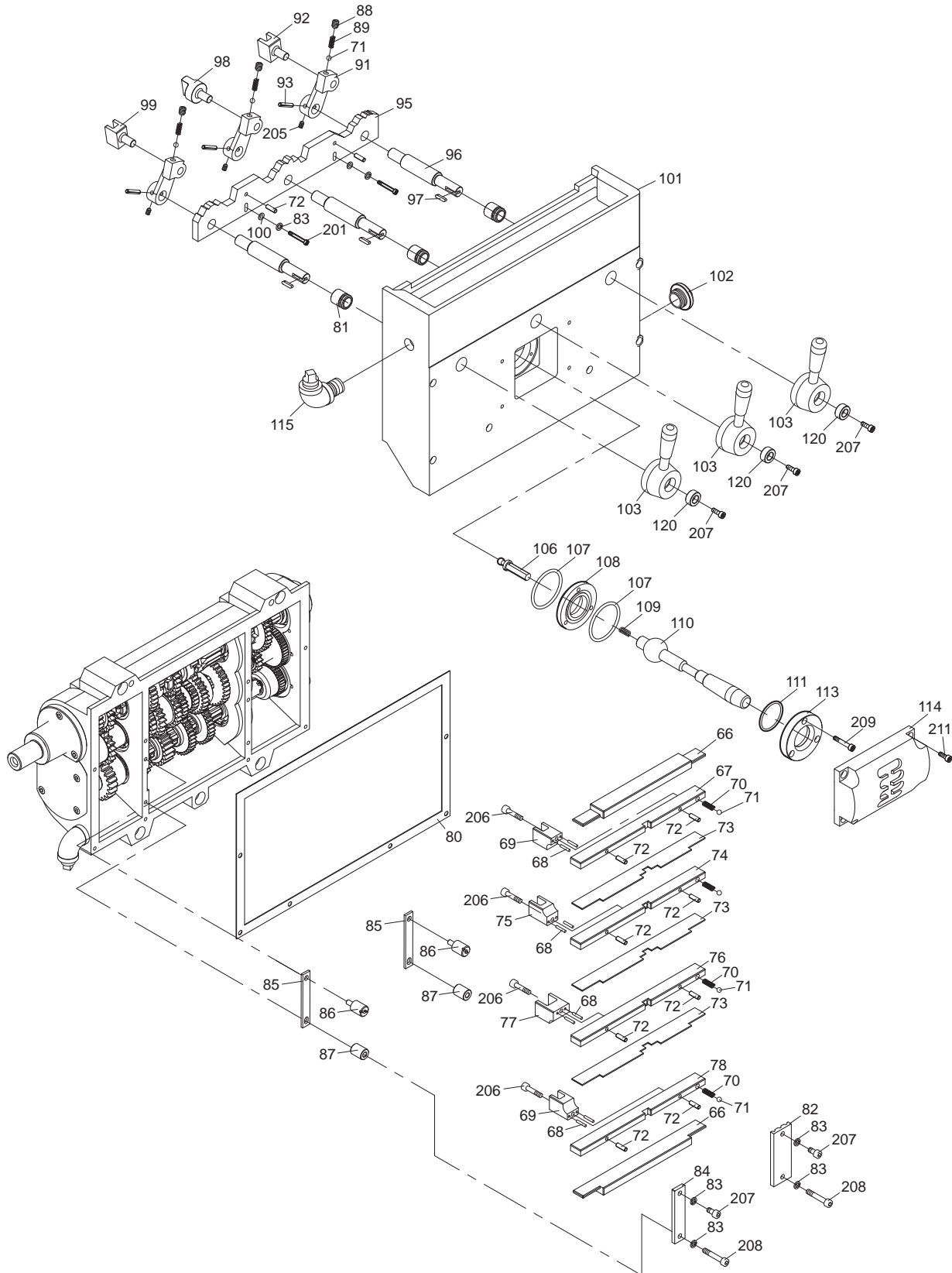
Index No.	Part No.	Description	Size	Qty.
42	TS-155010	Washer	M16	4
43	EGH1740-A43	Oil sight	3/4"	1
44	EGH1740-A44	Set screw		6
45	EGH1740-A45	Spindle		1
46	EGH1740-A46	Spring		6
47	EGH1740-A47	Cams		6
48	EGH1740-A48	Key	12x8x120L	1
49	EGH1740-A49	Key	12x8x30L	1
50	TS-1503081	Hex. Socket Head Bolt	CAP 6x35	3
51	EGH1740-A51	Front Bearing Cover		1
52	EGH1740-A52	Packing F		1
53	BB-32022	Taper Roller Bearing	32022X	1
54	EGH1740-A54	Gear(82T)		1
55	EGH1740-A55	Gear(53T)		1
56	EGH1740-A56	Clip(S105)		1
57	BB-32020	Taper Roller Bearing	32020X	1
58	EGH1740-A58	Nut	YSR100	1
59	EGH1740-A59	Gear(62T)		1
60	BB-6019	Ball Bearing	6019	1
61	EGH1740-A61	Outside Cover		1
62	EGH1740-A62	Balance Ring		1
63	TS-1523021	Set Screw	SET 6x8	2
64	EGH1740-A64	Cover		1
65	BB-6206	Ball Bearing	6206	3
66	EGH1740-A66	Gear Shaft (20T)		1
67	EGH1740-A67	Key	8x7x25L	1
68	EGH1740-A68	Gear(47T)		1
69	BB-6006	Ball Bearing	6006	3
70	EGH1740-A70	Collar		1
71	EGH1740-A71	Gear(46T)		1
72	EGH1740-A72	Gear(33T)		1
73	EGH1740-A73	Gear(27T)		1
74	EGH1740-A74	Gear(39T)		1
75	EGH1740-A75	Shaft	A	1
76	EGH1740-A76	Key	7x7x45L	1
78	EGH1740-A78	Flanged Bearing	A	1
79	TS-1503071	Hex. Socket Head Bolt	CAP 6x30	3
80	EGH1740-A80	Clip(R58)		1
81	EGH1740-A81	Oil Seal	TC30x50x08	1
82	EGH1740-A82	Pulley	V	1
83	EGH1740-A83	Washer		1
84	EGH1740-A84	"O" Ring	G65	1

Index No.	Part No.	Description	Size	Qty.
85	EGH1740-A85	Plug		1
86	EGH1740-A86	Clip (R72)		1
87	BB-6306	Ball bearing	6306	1
88	EGH1740-A88	Gear(23T),(25T/52T),Key (8x7x25),Clip(S50),Shaft	Assembly for replacement	1
89	EGH1740-A89	Taper Roller Bearing		1
90	EGH1740-A90	Washer		1
91	EGH1740-A91	Gear Shaft (25T)		1
92	BB-6008	Ball bearing	6008	2
93	EGH1740-A93	Clip(S38)		1
94	EGH1740-A94	Gear(26T),(39T),(45T),(33T),Key (8x7x70),Clip(S55)	Assembly for replacement	
95	EGH1740-A95	Cover		1
96	EGH1740-A96	Oil Seal	TC28x44x07	1
97	EGH1740-A97	Washer		2
98	EGH1740-A98	Needle Bearing	RNA6904	2
99	EGH1740-A99	Flanged Bearing		1
100	EGH1740-A100	"O" Ring	P44	1
101	EGH1740-A101	Clip(R25)		5
102	EGH1740-A102	Shaft	F	1
103	EGH1740-A103	Gear(27T)		1
104	EGH1740-A104	Gear(54T)		1
105	BB-6204	Ball Bearing	6204	3
106	EGH1740-A106	Head Stock		1
	EGH1760-A106	Head Stock		1
107	EGH1740-A107	Square Head Plug	PT 1/2"	1
108	EGH1740-A108	Cover		1
109	EGH1740-A109	Gear(62T)		1
110	EGH1740-A110	Shaft	E	1
111	EGH1740-A111	Gear(27T),(54T),Key (7x7x20),Clip(S45)	Assembly for replacement	1
112	EGH1740-A112	"O" Ring	P20	1
113	EGH1740-A113	Washer		1
114	EGH1740-A114	Shaft	D	1
115	BB-6004	Ball Bearing	6004	2
116	EGH1740-A116	Clip (R42)		2
117	EGH1740-A117	Gear(31T)		1
118	EGH1740-A118	Washer		1
119	EGH1740-A119	Clip (S20)		1
121	TS-1524031	Set Screw	SET 8x12	3

GEARBOX ASSEMBLY



GEARBOX ASSEMBLY





GEARBOX ASSEMBLY PARTS LIST

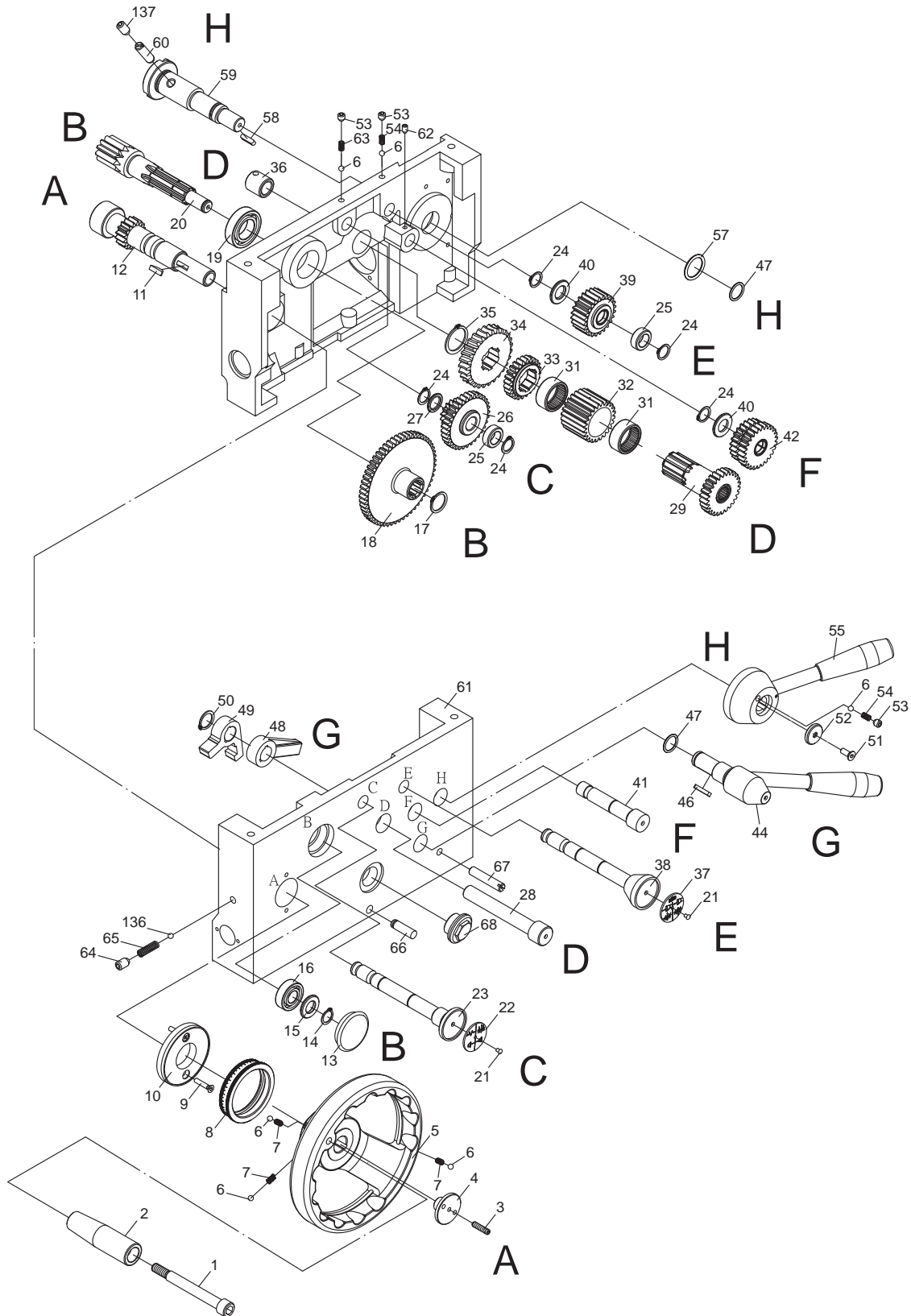
Index No.	Part No.	Description	Size	Qty.
1	EGH1740-B01	Shaft		1
3	EGH1740-B03	Oil Seal	25x37x08	1
4	EGH1740-B04	Bearing	TAF25/20	2
5	EGH1740-B05	Flanged Bearing		1
6	EGH1740-B06	Washer		1
7	EGH1740-B07	Clip	S25	4
8	EGH1740-B08	Key	7x7x30	1
9	EGH1740-B09	Gear	19T/19T	1
10	EGH1740-B10	Shaft		1
11	EGH1740-B11	Cover		1
12	BB-16005	Bearing	16005	5
13	EGH1740-B13	Washer		1
14	EGH1740-B14	Gear	30T/20T	1
15	EGH1740-B15	Washer		1
16	EGH1740-B16	Clip	S30	1
17	EGH1740-B17	Shaft		1
19	EGH1740-B19	Shaft		1
20	EGH1740-B20	Key	6x6x25	1
21	EGH1740-B21	Gearbox Body		1
22	EGH1740-B22	Washer		1
23	EGH1740-B23	Gear	32T	1
24	EGH1740-B24	Gear	23T	1
25	EGH1740-B25	Gear	16T	1
26	EGH1740-B26	Washer		1
27	EGH1740-B27	Clip	R47	6
28	BB-6204	Bearing	6204	3
29	EGH1740-B29	Clutch		1
30	EGH1740-B30	Washer		1
31	EGH1740-B31	Clip	S20	2
32	EGH1740-B32	Gear	35T	1
33	EGH1740-B33	Gear	22T	1
34	EGH1740-B34	Gear	16T	1
35	EGH1740-B35	Gear	20T	1
36	EGH1740-B36	Gear	24T	1
37	EGH1740-B37	Gear	23T	1
38	EGH1740-B38	Gear	27T	1
39	EGH1740-B39	Gear	24T	1
40	EGH1740-B40	Gear	28T	1
41	EGH1740-B41	Gear	26T	1
42	EGH1740-B42	Gear	32T	1
43	EGH1740-B43	Nut		1
44	EGH1740-B44	Clip	S22	1

Index No.	Part No.	Description	Size	Qty.
45	EGH1740-B45	Gear	18T/45T	1
46	EGH1740-B46	Gear	22T	1
47	EGH1740-B47	Gear	22T	1
48	EGH1740-B48	Gear	22T	1
49	EGH1740-B49	Gear	33T	1
50	EGH1740-B50	Gear	22T	1
51	EGH1740-B51	Washer		1
52	EGH1740-B52	Gear	36T	1
53	EGH1740-B53	Flanged Bearing		1
54	EGH1740-B54	Shaft		1
55	BB-51105	Bearing	51105	1
56	EGH1740-B56	Flanged Bearing		1
57	EGH1740-B57	Sleeve		1
58	EGH1740-B58	Flanged Bearing		1
59	EGH1740-B59	Oil seal	28x40x05	1
60	EGH1740-B60	Washer		1
61	EGH1740-B61	Shaft		1
62	EGH1740-B62	Key	5x5x35	1
63	BB-16003	Bearing	16003	1
64	EGH1740-B64	Clip	S17	1
65	EGH1740-B65	Flanged Bearing		1
66	EGH1740-B66	Upper Plate		2
67	EGH1740-B67	Fort Support		1
68	EGH1740-B68	Spring Pin	Ø3x16	8
69	EGH1740-B69	Fork		2
70	EGH1740-B70	Spring	Ø4x19	4
71	EGH1740-B71	Steel Ball	1/4"	7
72	EGH1740-B72	Spring Pin	Ø5x16	10
73	EGH1740-B73	Partition		3
74	EGH1740-B74	Fort Support		1
75	EGH1740-B75	Fork		1
76	EGH1740-B76	Fort Support		1
77	EGH1740-B77	Fork		1
78	EGH1740-B78	Fort Support		1
80	EGH1740-B80	Seal		1
81	EGH1740-B81	Spacer		3
82	EGH1740-B82	Reverse-Stop		1
83	TS-2361061	Spring Washer	M6	6
84	EGH1740-B84	Shoulder Plate		1
85	EGH1740-B85	Fixed Plate		2
86	EGH1740-B86	Partition Nut		2
87	EGH1740-B87	Spacer		2

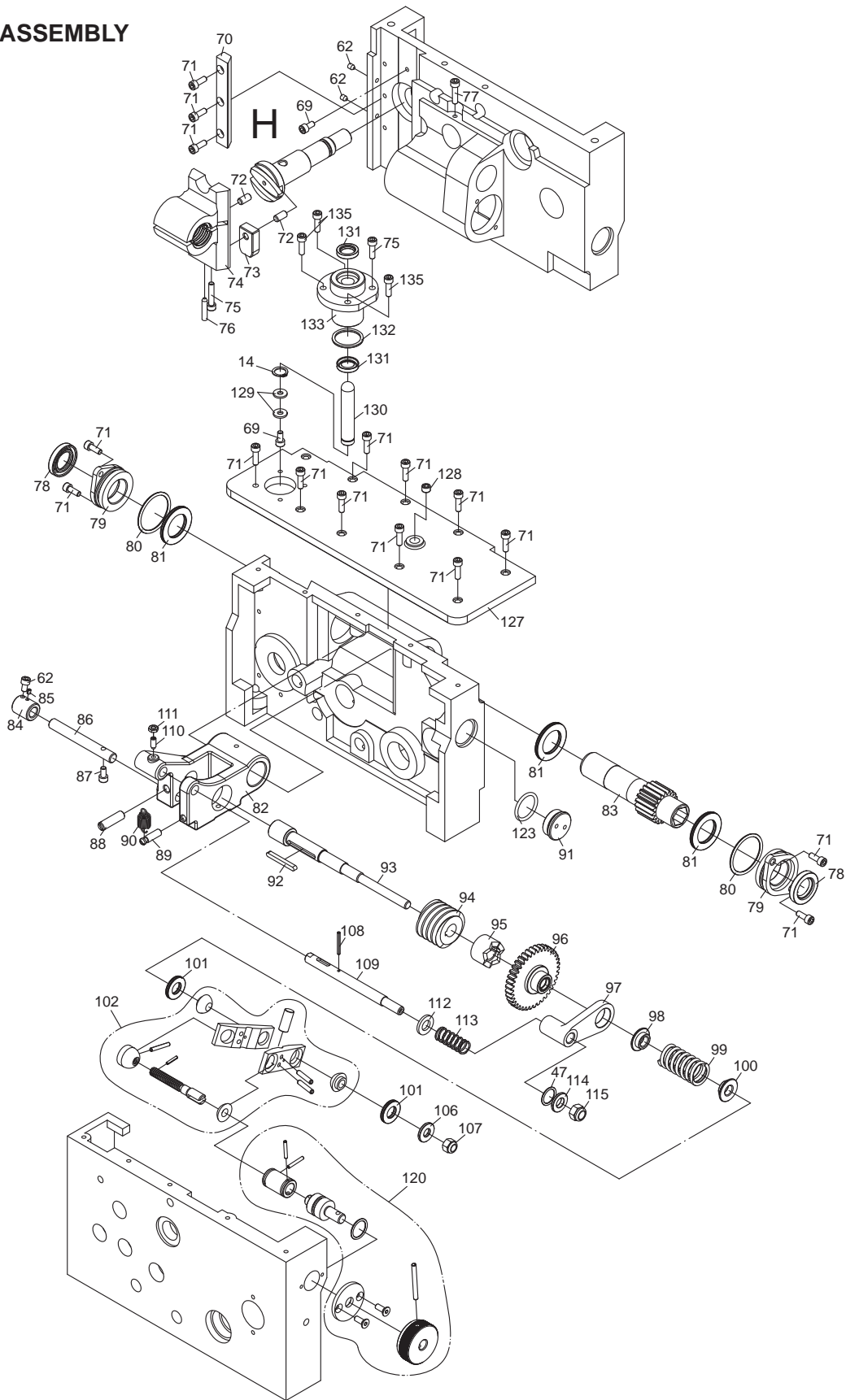


Index No.	Part No.	Description	Size	Qty.
88	TS-1524011	Set Screw	SET 8x8	3
89	EGH1740-B89	Spring	Ø4x19	3
91	EGH1740-B91	Lever		3
92	EGH1740-B92	Fork		1
93	EGH1740-B93	Spring Pin	4x24	3
95	EGH1740-B95	Selector Bar		1
96	EGH1740-B96	Shaft		3
97	EGH1740-B97	Key	4x4x15	3
98	EGH1740-B98	Fork		1
99	EGH1740-B99	Fork		1
100	TS-1550041	Washer	M6	2
101	EGH1740-B101	Gearbox Cover		1
102	EGH1740-B102	Oil Sight		1
103	EGH1740-B103	Hub & Handle Assembly		3
106	EGH1740-B106	Selector Lever		1
107	EGH1740-B107	O-Ring	G40	2
108	EGH1740-B108	Selector Lever Support		1
109	EGH1740-B109	Spring	9x38	1
110	EGH1740-B110	Selector Lever		1
111	EGH1740-B111	O-Ring	G30	1
113	EGH1740-B113	Selector Lever Cover		1
114	EGH1740-B114	Specifying Base		1
115	EGH1740-B115	Square Head Plug	3/4"	1
116	EGH1740-B116	Elbow	3/4"	1
117	EGH1740-B117	Nipple	3/4"x1"	1
118	EGH1740-B118	Pin	Ø6x36	1
119	EGH1740-B119	Seal		1
120	EGH1760-B120	Washer		3
201	TS-1503041	Hex. Socket Head Bolt	CAP 6x16	17
202	EGH1740-B202	Square Head Plug	1/4"	1
203	EGH1740-B203	Elbow	1/4"	1
204	EGH1740-B204	Nipple	1/4"x1"	1
205	TS-152301	Set Screw	SET 6x6	4
206	TS-1502051	Hex. Socket Head Bolt	CAP 5x20L	4
207	TS-1503041	Hex. Socket Head Bolt	CAP 6x16	5
208	TS-1503091	Hex. Socket Head Bolt	CAP 6x40	2
209	TS-1503061	Hex. Socket Head Bolt	CAP 6x25	3
211	TS-1503031	Hex. Socket Head Bolt	CAP 6x12	4
214	EGH1740-B214	Oil Seal	24x35x08	1
215	EGH1740-B215	Pin	#4x32	1
216	EGH1740-B216	Shear Pin	#4x32	1

APRON (L.H) ASSEMBLY



APRON (L.H) ASSEMBLY



APRON (L.H) ASSEMBLY PARTS LIST

Index No.	Parts No.	Description	Size	Qty.
1	EGH1740-C01	Screw		1
2	EGH1740-C02	Handle		1
3	TS-1523071	Set Screw	SET 6x25	1
4	EGH1740-C04	Bolt		1
5	EGH1740-C05	Hand Wheel		1
6	EGH1740-C06	Steel Ball	1/4"	6
7	EGH1740-C07	Spring		3
8	EGH1740-C08	Index Ring		1
9	TS-1513021	Flat Hexagon Screw	5x12	2
10	EGH1740-C10	Shaft Liner		1
11	EGH1740-C11	Woodruff Key	5x19	1
12	EGH1740-C12	Gear Shaft	(A)	1
13	EGH1740-C13	Plug		1
14	EGH1740-C14	Snap Ring	S15	2
15	EGH1740-C15	Collar		1
16	BB-6202	Ball Bearing	6202LR	1
17	EGH1740-C17	Snap Ring	S22	1
18	EGH1740-C18	Gear	56T	1
19	BB-6005	Ball Bearing	6005LU	1
20	EGH1740-C20	Gear Shaft	(B)	1
21	EGH1740-C21	Rivet	2.8x10	2
22	EGH1740-C22	Name Plate		1
23	EGH1740-C23	Shaft	C	1
24	EGH1740-C24	Snap Ring	S16	5
25	EGH1740-C25	Collar		2
26	EGH1740-C26	Gear	15T/33T	1
27	EGH1740-C27	Collar		1
28	EGH1740-C28	Shaft	D	1
29	EGH1740-C29	Needle Bearing & Gear Shaft Assembly		2
31	EGH1740-C31	Needle Bearing	TLA3016	2
32	EGH1740-C32	Gear	24T	1
33	EGH1740-C33	Gear	24T	1
34	EGH1740-C34	Worm Wheel		1
35	EGH1740-C35	Snap Ring	S30	1
36	EGH1740-C36	Collar	D	1
37	EGH1740-C37	Name Plate		1
38	EGH1740-C38	Shaft	E	1
39	EGH1740-C39	Gear	24T	1
40	EGH1740-C40	Collar		2
41	EGH1740-C41	Shaft	F	1
42	EGH1740-C42	Gear	24T/26T	1
44	EGH1740-C44	Spring Pin, Handle, Sleeve Assembly		1
46	EGH1740-C46	Key	4x4x25	1

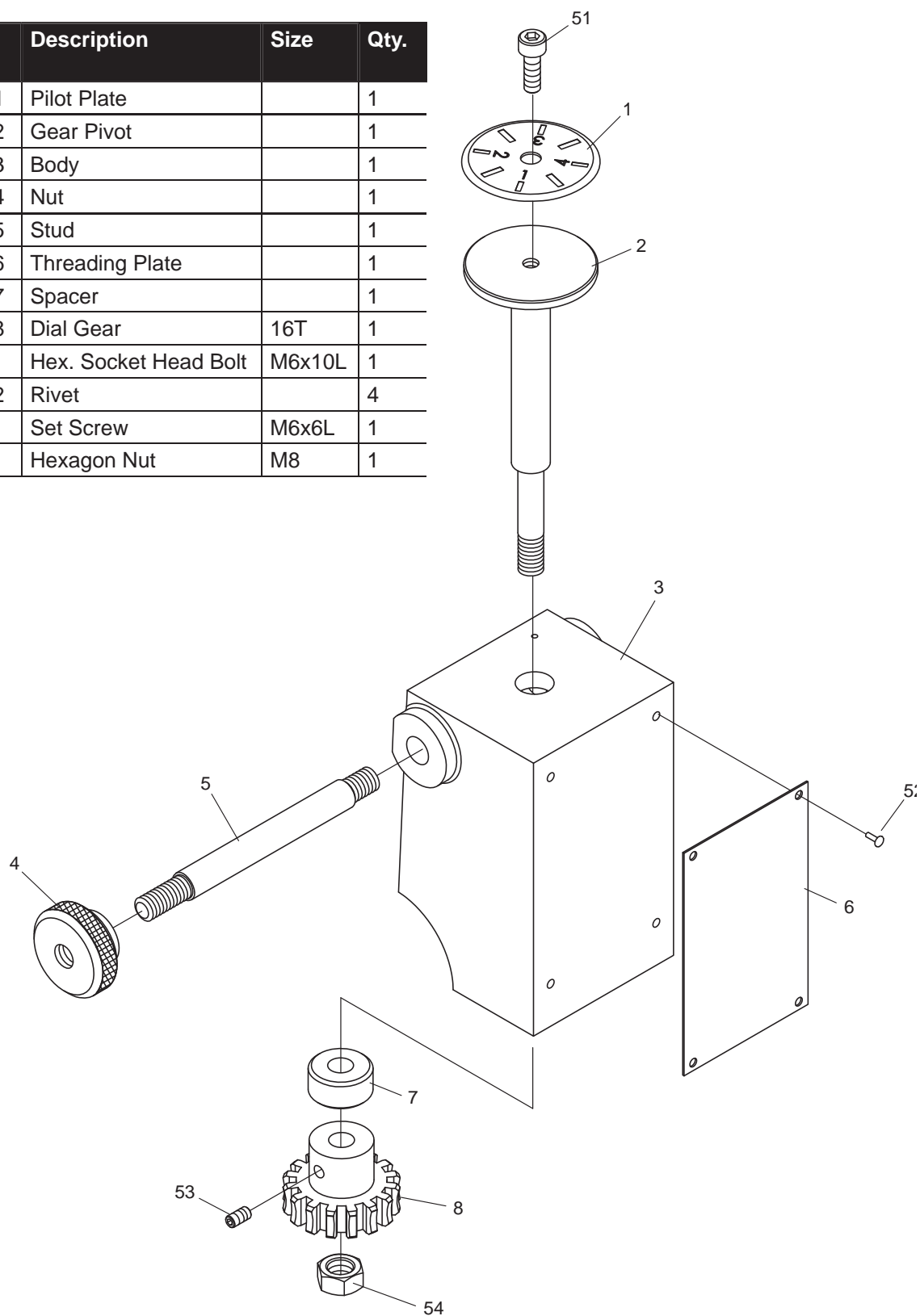


Index No.	Parts No.	Description	Size	Qty.
47	EGH1740-C47	O Ring	P18	3
48	EGH1740-C48	Pad		1
49	EGH1740-C49	Elasticity Pole		1
50	EGH1740-C50	Snap Ring	S18	1
51	TS-1514021	Flat Hexagon Screw	6x16	1
52	EGH1740-C52	Washer		1
53	TS-1524011	Set Screw	SET8x8	3
54	EGH1740-C54	Spring		2
55	EGH1740-C55	Lead Nut Lever, Handle , Spring Pin	Assembly	1
57	EGH1740-C57	O Ring	P21	1
58	EGH1740-C58	Key	5x18	1
59	EGH1740-C59	Cam Shaft		1
60	EGH1740-C60	Set Screw	SET 10x40	1
61	EGH1740-C61	Apron		1
62	TS-2276081	Set Screw	SET 6x8	4
63	EGH1740-C63	Spring		1
64	TS-1525031	Set Screw	SET 10x16	1
65	EGH1740-C65	Spring		2
66	EGH1740-C66	Pin		1
67	EGH1740-C67	Pin		1
68	EGH1740-C68	Oil Sight		1
69	TS-1503031	Hexagon Socket Head Bolt	CAP 6x12	2
70	EGH1740-C70	Adjust Plate		1
71	TS-1503041	Hexagon Socket Head Bolt	CAP6x16	16
72	EGH1740-C72	Pin		2
73	EGH1740-C73	Slide Plate		1
74	EGH1740-C74	Half Nut		1
75	TS-1503071	Hexagon Socket Head Bolt	CAP 6x30	2
76	EGH1740-C76	Set Screw	SET 6x30	1
77	TS-1503061	Hexagon Socket Head Bolt	CAP 6x25	1
78	EGH1740-C78	Oil Seal	30x40x5	2
79	EGH1740-C79	Sleeve		2
80	EGH1740-C80	O Ring	G40	2
81	EGH1740-C81	Thrust Bearing	NTB3047/AS2	3
82	EGH1740-C82	Bracket		1
83	EGH1740-C83	Pinion		1
84	EGH1740-C84	Spacer		1
85	EGH1740-C85	Spring Pin	4x20	1
86	EGH1740-C86	Pin		1
87	TS-1502061	Hexagon Socket Head Bolt	CAP 5x25	1
88	EGH1740-C88	Pin		1
89	EGH1740-C89	Pin		1

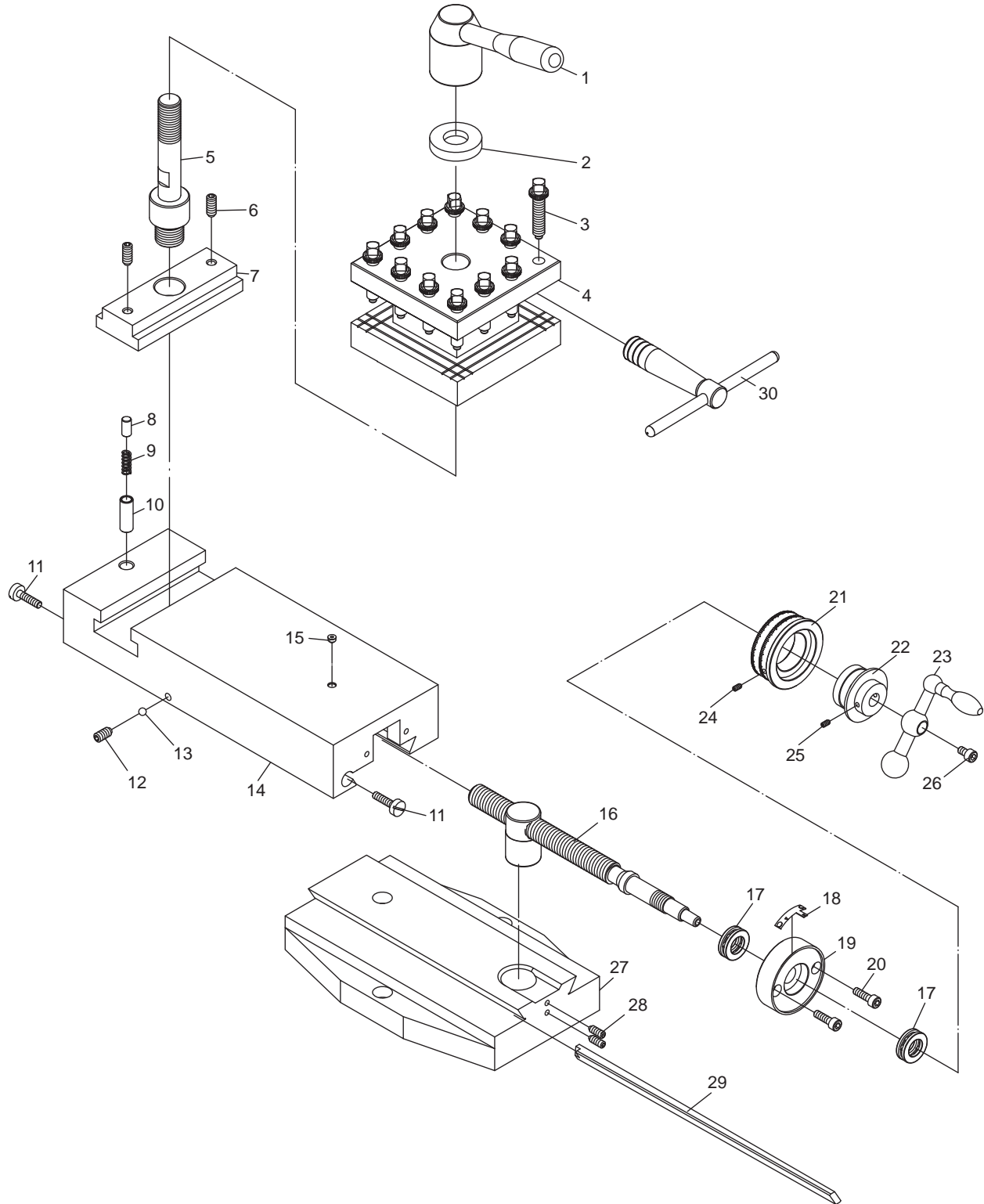
Index No.	Parts No.	Description	Size	Qty.
90	EGH1740-C90	Spring		1
91	EGH1740-C91	Nut		1
92	EGH1740-C92	Key	5x5x45	1
93	EGH1740-C93	Shaft		1
94	EGH1740-C94	Worm		1
95	EGH1740-C95	Clutch		1
96	EGH1740-C96	Clutch Gear		1
97	EGH1740-C97	Lever Arm		1
98	EGH1740-C98	Washer		1
99	EGH1740-C99	Spring		1
100	EGH1740-C100	Washer		1
101	EGH1740-C101	Thrust Bearing	NTB1528/AS2	2
102	EGH1740-C102	Flanged Bearing Assembly		2
106	EGH1740-C106	Washer		1
107	TS-1541041	Nylon Jam Nut	M10	1
108	EGH1740-C108	Spring Pin	4x24	1
109	EGH1740-C109	Trip Rod		1
110	TS-1523051	Set Screw	SET 6x16	1
111	TS-1541021	Nylon Jam Nut	M6	1
112	EGH1740-C112	Washer		1
113	EGH1740-C113	Spring		1
114	EGH1740-C114	Washer		1
115	TS-2342121	Nylon Jam Nut	M12	1
120	EGH1740-C120	Flat Hexagon Screw Assembly		2
123	EGH1740-C123	O Ring	P21	1
127	EGH1740-C127	Plate		1
128	EGH1740-C128	Hexagon Socket Head Plug	PT1/4"	1
129	EGH1740-C129	Washer		2
130	EGH1740-C130	Shaft		1
131	EGH1740-C131	Oil Seal	TC15255A	2
132	EGH1740-C132	O Ring	P30	1
133	EGH1740-C133	Bush		1
135	TS-1503051	Hexagon Socket Head Bolt	CAP6x20	3
136	EGH1740-C136	Steel Ball	3/8"	1
137	TS-1525011	Set Screw	SET 10x10	1

DIAL INDICATOR ASSEMBLY & PARTS LISTS IMPERIAL (LEADSCREW 4 T.P.I)

Index No.	Part No.	Description	Size	Qty.
1	EGH1740-D01	Pilot Plate		1
2	EGH1740-D02	Gear Pivot		1
3	EGH1740-D03	Body		1
4	EGH1740-D04	Nut		1
5	EGH1740-D05	Stud		1
6	EGH1740-D06	Threading Plate		1
7	EGH1740-D07	Spacer		1
8	EGH1740-D08	Dial Gear	16T	1
51	TS-1503021	Hex. Socket Head Bolt	M6x10L	1
52	EGH1740-D52	Rivet		4
53	TS-1523011	Set Screw	M6x6L	1
54	TS-2331081	Hexagon Nut	M8	1



4 WAY TOOL POST

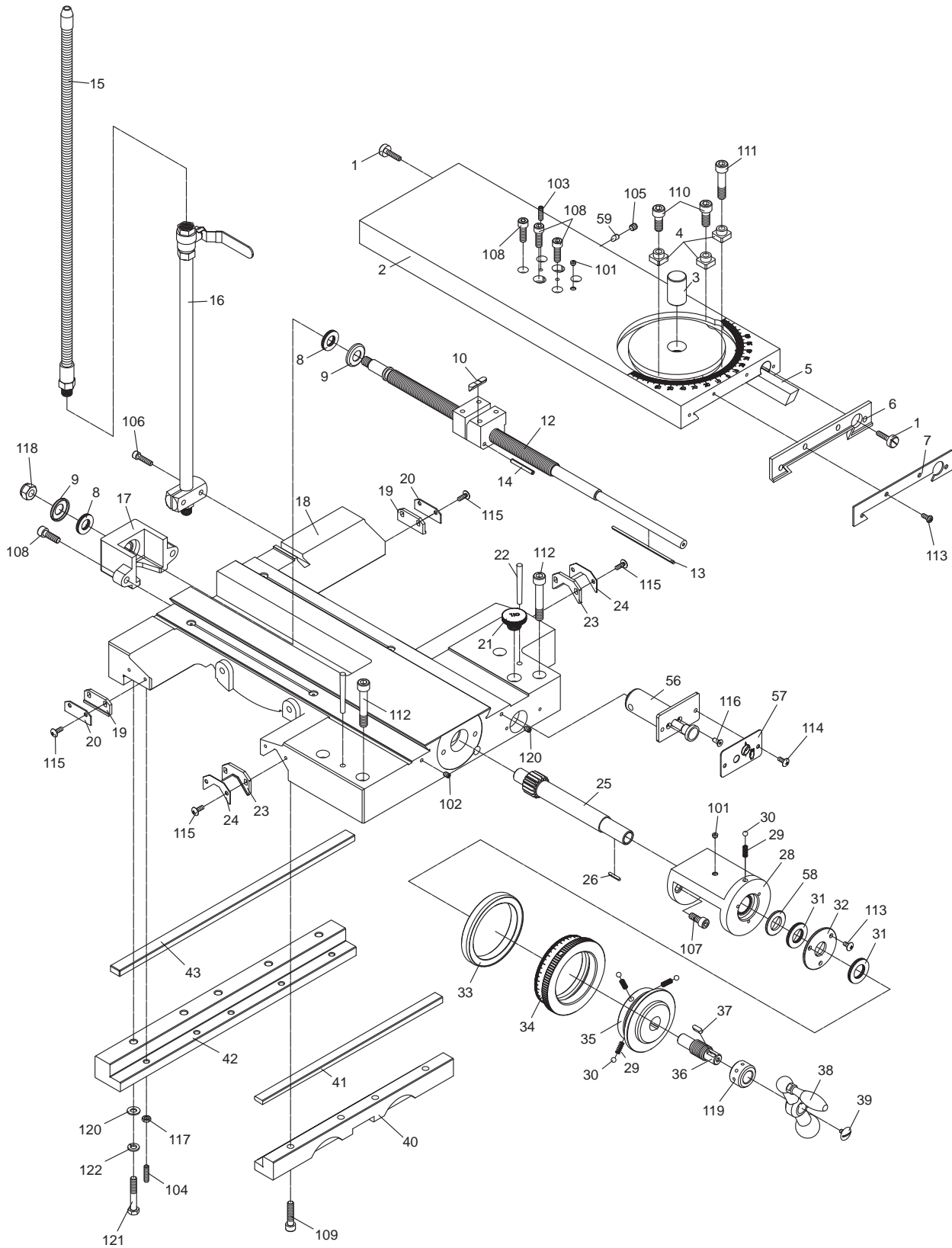




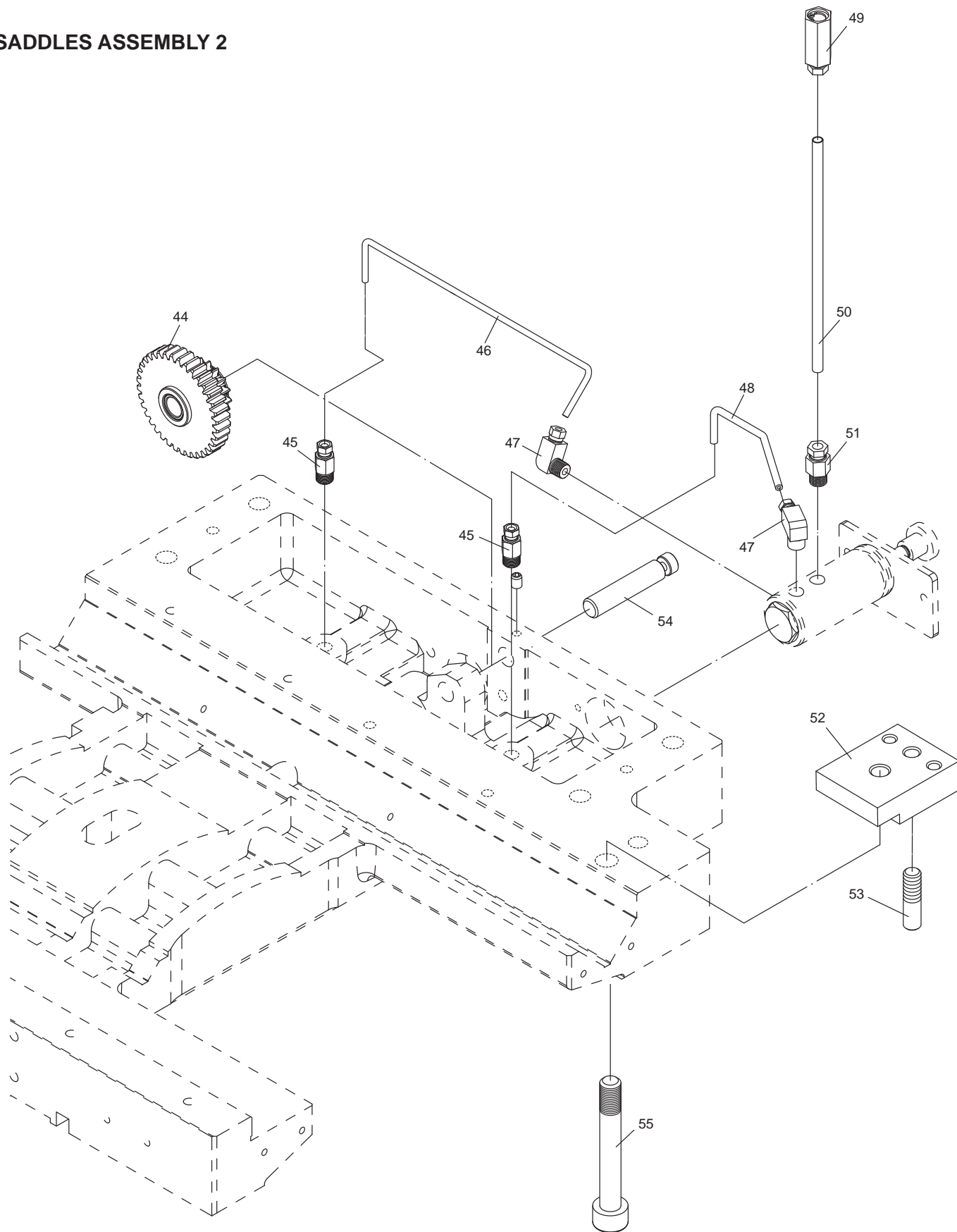
4 WAY TOOL POST PARTS LIST

Index No.	Parts No.	Description	Size	Qty.
1	EGH1740-E01	Handle & Turret Nut	Assembly for replacement	1
2	EGH1740-E02	Collar		1
3	EGH1740-E03	Bolt		12
4	EGH1740-E04	Turret Body		1
5	EGH1740-E05	Turret Shaft		1
6	TS-1524051	Set Screw	SET 8x20	2
7	EGH1740-E07	Nut		1
8	EGH1740-E08	Pin		1
9	EGH1740-E09	Spring		1
10	EGH1740-E10	Bush		1
11	EGH1740-E11	Screw		2
12	TS-1524041	Set Screw	SET 8x16	1
13	EGH1740-E13	Steel Ball	1/4"	1
14	EGH1740-E14	Solid Topslide		1
15	EGH1740-E15	Oil Ball	1/4"	1
16	EGH1740-E16	Nut & Screw	Assembly for replacement	1
17	BB-51102	Trust Bearing	51102	2
18	EGH1740-E18	Curve Pilot		1
19	EGH1740-E19	Keep Ass'y		1
20	TS-1503051	Hex. Socket Head Bolt	CAP 6x20	2
21	EGH1740-E21	Dial Ring		1
22	EGH1740-E22	Bush		1
23	EGH1740-E23	Handle		1
24	TS-1522031	Set Screw	SET 5x10	1
25	TS-1522011	Set Screw	SET 5x6	1
26	TS-1503041	Hex. Socket Head Bolt	CAP 6x16	1
27	EGH1740-E27	Swivel		1
28	TS-1523061	Set Screw	SET 6x20	2
29	EGH1740-E29	Gib		1
30	EGH1740-E30	T Wrench		1

SADDLES ASSEMBLY



SADDLES ASSEMBLY 2



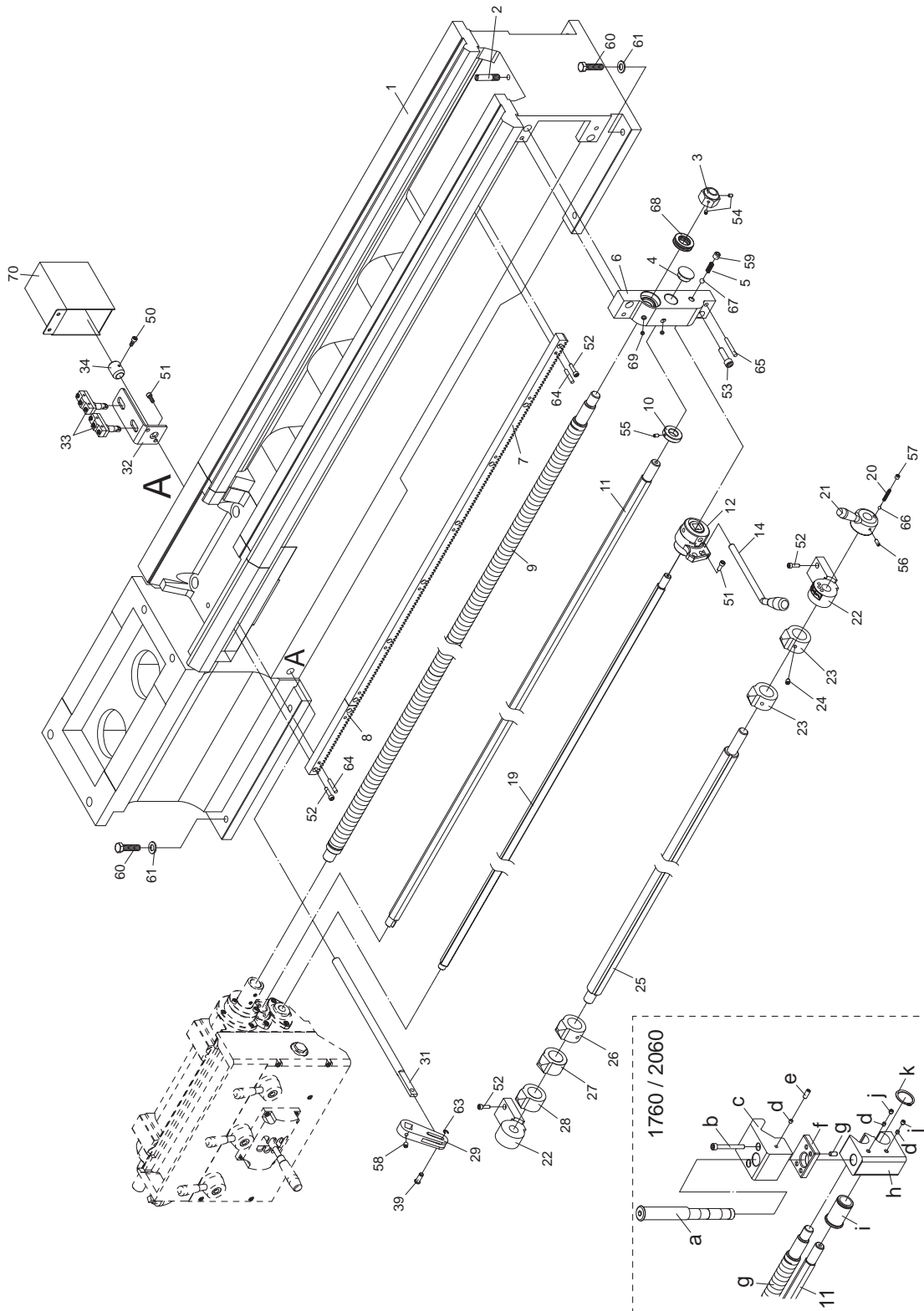
SADDLES ASSEMBLY PARTS LIST

Index No.	Parts No.	Description	Size	Qty.
1	EGH1740-F01	Adjust Screw		2
2	EGH1740-F02	Cross Slide		1
3	EGH1740-F03	Pivot	Ø25x40	1
4	EGH1740-F04	T bolt		3
5	EGH1740-F05	Gib-X		1
6	EGH1740-F06	Wiper-X		1
7	EGH1740-F07	Plate -X		1
8	EGH1740-F08	Thrust Bearing	NTB/AS2 1528	2
9	EGH1740-F09	Cap Collar		2
10	EGH1740-F10	Pin		1
12	EGH1740-F12	Lead Screw & Nut	Assembly for replacement	1
13	EGH1740-F13	Key	3x3x115	1
14	EGH1740-F14	Spring Pin	Ø5x40	2
15	EGH1740-F15	Spraying Pipe	PT3/8 x 24"	1
16	EGH1740-F16	Valve & Junction Assy.	PT3/8	1
17	EGH1740-F17	Bracket		1
18	EGH1740-F18	Saddle		1
19	EGH1740-F19	Wiper F		2
20	EGH1740-F20	Plate F		2
21	EGH1740-F21	Oil Cover	NF3/4"	1
22	EGH1740-F22	Taper Pin	#6x70L	2
23	EGH1740-F23	Wiper V		2
24	EGH1740-F24	Plate V		2
25	EGH1740-F25	Gear	16T	1
26	EGH1740-F26	Key	3x3x20	1
28	EGH1740-F28	Keep Assy.		1
29	EGH1740-F29	Spring	Ø6x15 L	4
30	EGH1740-F30	Steel Ball	1/4"	4
31	EGH1740-F31	Thrust Bearing	NTB/AS2 2035	2
32	EGH1740-F32	Washer		1
33	EGH1740-F33	Dial ring		1
34	EGH1740-F34	Dual (ENG)		1
35	EGH1740-F35	Bush		1
36	EGH1740-F36	Shaft		1
37	EGH1740-F37	Key	5x5x20	1
38	EGH1740-F38	Hand Wheel & Handle	Assembly for replacement	
39	EGH1740-F39	Screw		1
40	EGH1740-F40	Front Anti-Floater		1
41	EGH1740-F41	Gib-Z		1
42	EGH1740-F42	Front Anti-Floater		1
43	EGH1740-F43	Gib-Y		1



Index No.	Parts No.	Description	Size	Qty.
44	EGH1740-F44	Gear	16T/36T	1
45	EGH1740-F45	Straight Adapter	1/8xØ4	2
46	EGH1740-F46	Al. Tube	Ø4x258	1
47	EGH1740-F47	Elbow Adapter	1/8x Ø4	2
48	EGH1740-F48	Al. Tube	Ø4x121	1
49	EGH1740-F49	Oil Filter	Ø6	1
50	EGH1740-F50	Al. Tube	Ø6x170	1
51	EGH1740-F51	Straight Adapter	1/8x Ø6	2
52	EGH1740-F52	Clamp Plate		1
53	EGH1740-F53	Bolt		1
54	EGH1740-F54	Short Shaft		1
55	EGH1740-F55	Hex. Socket Head Bolt	CAP12x85	1
56	EGH1740-F56	Lubricator Assy.		1
57	EGH1740-F57	Plate		1
58	EGH1740-F58	Washer		1
59	EGH1740-F59	Block		1
101	EGH1740-F101	Oil Ball	1/4"	2
102	TS-1523021	Set Screw	SET 6x8	2
103	TS-1523061	Set Screw	SET 6x20	1
104	TS-1523071	Set Screw	SET 6x25	5
105	TS-1524011	Set Screw	SET 8x8	1
106	TS-1503061	Hex. Socket Head Bolt	CAP 6x25	2
107	TS-1504041	Hex. Socket Head Bolt	CAP 8x20	2
108	TS-1504051	Hex. Socket Head Bolt	CAP 8x25	8
109	TS-1504071	Hex. Socket Head Bolt	CAP 8x35	4
110	TS-1505031	Hex. Socket Head Bolt	CAP 10x25	2
111	TS-1505071	Hex. Socket Head Bolt	CAP 10x45	1
112	TS-1505101	Hex. Socket Head Bolt	CAP 10x60	4
113	TS-1534041	Dome Cross Screw	M5x10	3
114	TS-2285121	Dome Cross Screw	M5x12	2
115	EGH1740-F115	Dome Cross Screw	M5x15	4
116	TS-1513021	Flat Hexagon Screw	M5x12	2
117	TS-2331061	Nut	M6	5
118	TS-2342101	Nut	M10	1
119	EGH1740-F119	Nut		1
120	TS-1550061	Washer	M8	5
121	TS-1504101	Hexagon Head Bolt	M8x50	5
122	TS-2361081	Spring Washer	M8	5

BED AND SHAFTS ASSEMBLY



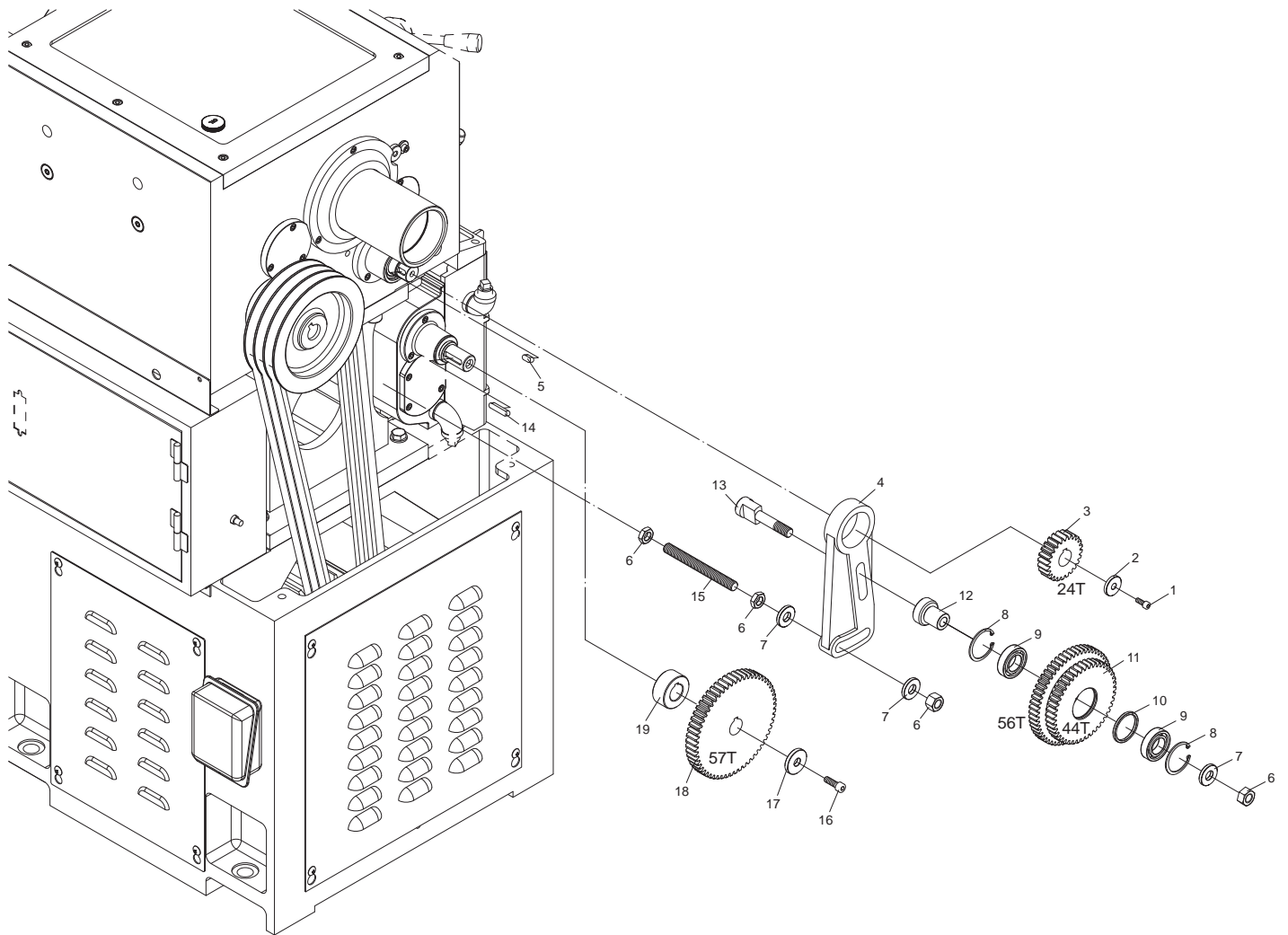


BED AND SHAFTS ASSEMBLY PARTS LIST

Index No.	Parts No.	Description	Size	Qty.
1	EGH1740-G01	Bed		1
	EGH1760-G01	Bed		1
2	EGH1740-G02	Bolt		1
3	EGH1740-G03	Nut		1
4	EGH1740-G04	Plug		1
5	EGH1740-G05	Spring		1
6	EGH1740-G06	Bracket		1
7	EGH1740-G07	Rack		1
	EGH1760-G07	Rack		1
8	EGH1740-G08	Rack		1
9	EGH1740-G09	Lead Screw		1
	EGH1760-G09	Lead Screw		1
10	EGH1740-G10	Collar		1
11	EGH1740-G11	Feed Rod		1
	EGH1760-G11	Feed Rod		1
12	EGH1740-G12	Lever Assy		1
13	EGH1740-G13	Pin		2
14	EGH1740-G14	Knob & Handle	Assembly for replacement	1
15	EGH1740-G15	Bracket		1
16	EGH1740-G16	Sleeve		1
17	EGH1740-G17	Spring		1
18	EGH1740-G18	Spring Cover		1
19	EGH1740-G19	Spindle Control Shaft		1
	EGH1760-G19	Spindle Control Shaft		1
20	EGH1740-G20	Spring		1
21	EGH1740-G21	Handle Base		1
22	EGH1740-G22	Bracket		2
23	EGH1740-G23	Dog		2
24	EGH1740-G24	Screw		5
25	EGH1740-G25	Rod		1
	EGH1760-G25	Rod		1
26	EGH1740-G26	Dog		1
27	EGH1740-G27	Dog		1
28	EGH1740-G28	Dog		1
29	EGH1740-G29	Connecting Rod		1
30	EGH1740-G30	Pin		1
31	EGH1740-G31	Connecting Rod		1

Index No.	Parts No.	Description	Size	Qty.
32	EGH1740-G32	Switch Base		1
33	EGH1740-G33	Limit Switch	TM1308	2
34	EGH1740-G34	Collar		1
50	TS-1503031	Hex. Socket Head Bolt	CAP 6x12	1
51	TS-1503041	Hex. Socket Head Bolt	CAP 6x16	4
52	TS-1503051	Hex. Socket Head Bolt	CAP 6x20	13
53	TS-1505051	Hex. Socket Head Bolt	CAP 10x35	2
54	TS-1523021	Set Screw	SET 6x8	2
55	TS-1523031	Set Screw	SET 6x10	1
56	TS-1523051	Set Screw	SET 6x16	1
57	TS-1524011	Set Screw	SET 8x8	1
58	TS-1524021	Set Screw	SET 8x10	1
59	TS-1526011	Set Screw	SET 12x12	1
60	TS-1506071	Hexagon Head Bolt	M12x50	8
61	TS-2360121	Washer	M12	8
62	EGH1740-G62	Clip	S32	1
63	EGH1740-G63	Snap Ring	E6	1
64	EGH1740-G64	Pin	Ø6x25	8
65	EGH1740-G65	Pin	Ø6x50	2
66	EGH1740-G66	Steel Ball	1/4"	1
67	EGH1740-G67	Steel Ball	3/8"	1
68	BB-51105	Thrust Bearing	51105	2
69	EGH1740-G69	Oil Ball	1/4"	2
70	EGH1740-G70	Block Oil Plate		1
a	EGH1760-G0a	Shaft		1
b	TS-1504131	Hex. Socket Head Bolt	CAP 8x70	2
c	EGH1760-G0c	Block		1
d	EGH1760-G0d	Pin		3
e	TS-1524051	Set Screw	SET 8x20	1
f	EGH1760-G0f	Block		1
g	TS-1524041	Set Screw	SET 8x16	1
h	EGH1760-G0h	Bracket		2
i	EGH1760-G0i	Barrel		1
j	TS-1524011	Set Screw	SET 8x8	1
k	EGH1760-G0k	Clip	S35	1

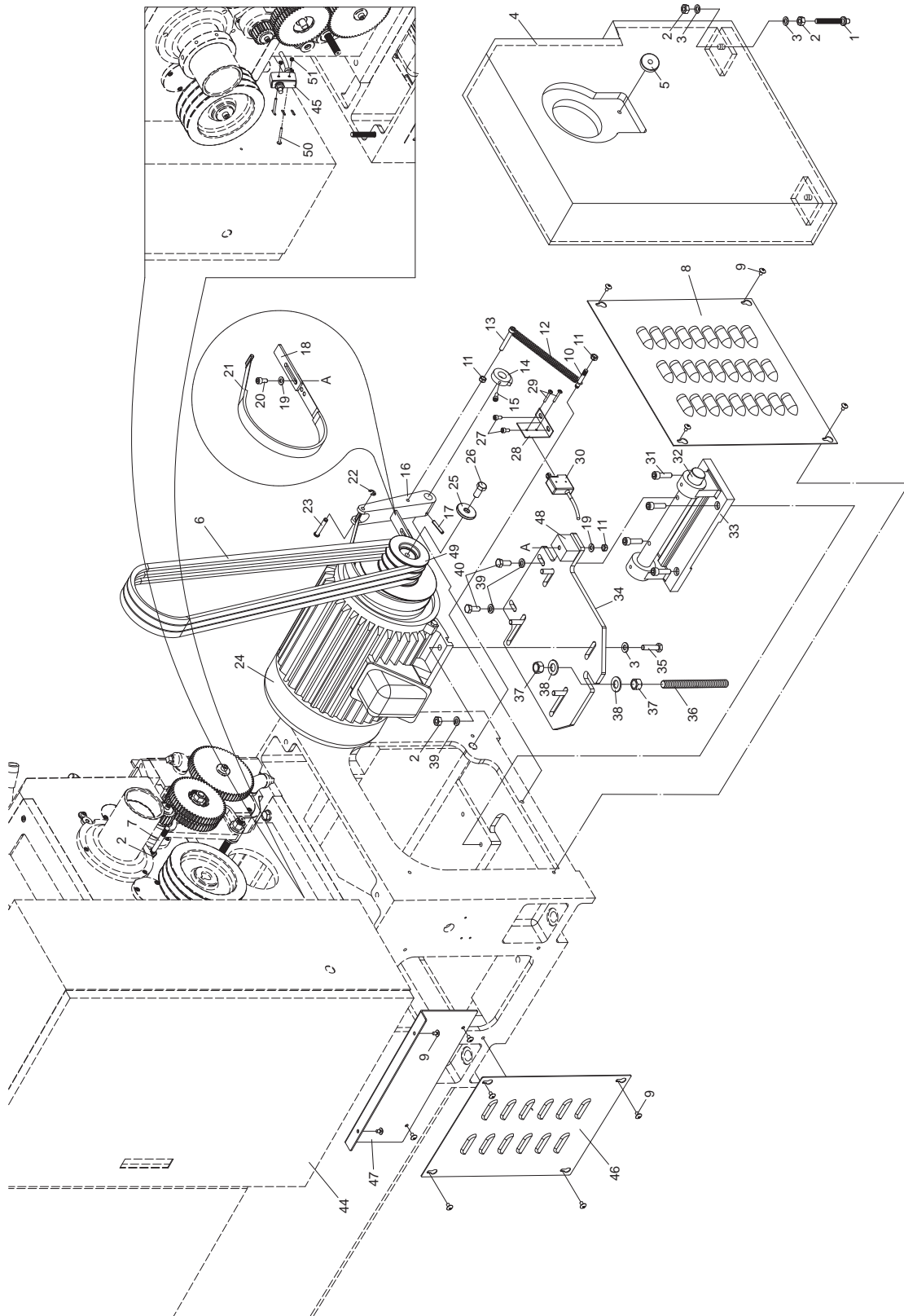
END GEAR ASSEMBLY



END GEAR ASSEMBLY PARTS LIST

Index No.	Parts No.	Description	Size	Qty.
1	EGH1740-H01	Hex. Socket Head Bolt	CAP 6x15	1
2	EGH1740-H02	Washer		1
3	EGH1740-H03	Gear	24T	1
4	EGH1740-H04	Swing Frame		1
5	EGH1740-H05	Key	7x7x15	1
6	TS-154009	Nut	M14	4
7	EGH1740-H07	Washer		3
8	EGH1740-H08	Clip	R47	2
9	BB-6005Z	Ball bearing	6005Z	2
10	EGH1740-H10	Collar		1
11	EGH1740-H11	Gear	44T/56T	1
12	EGH1740-H12	Shaft		1
13	EGH1740-H13	Shaft		1
14	EGH1740-H14	Key	7x7x35	1
15	EGH1740-H15	Bolt	M14x135	1
16	EGH1740-H16	Hex. socket head bolt	CAP 8x15	1
17	EGH1740-H17	Washer		1
18	EGH1740-H18	Gear	54T	1
19	EGH1740-H19	Collar		1

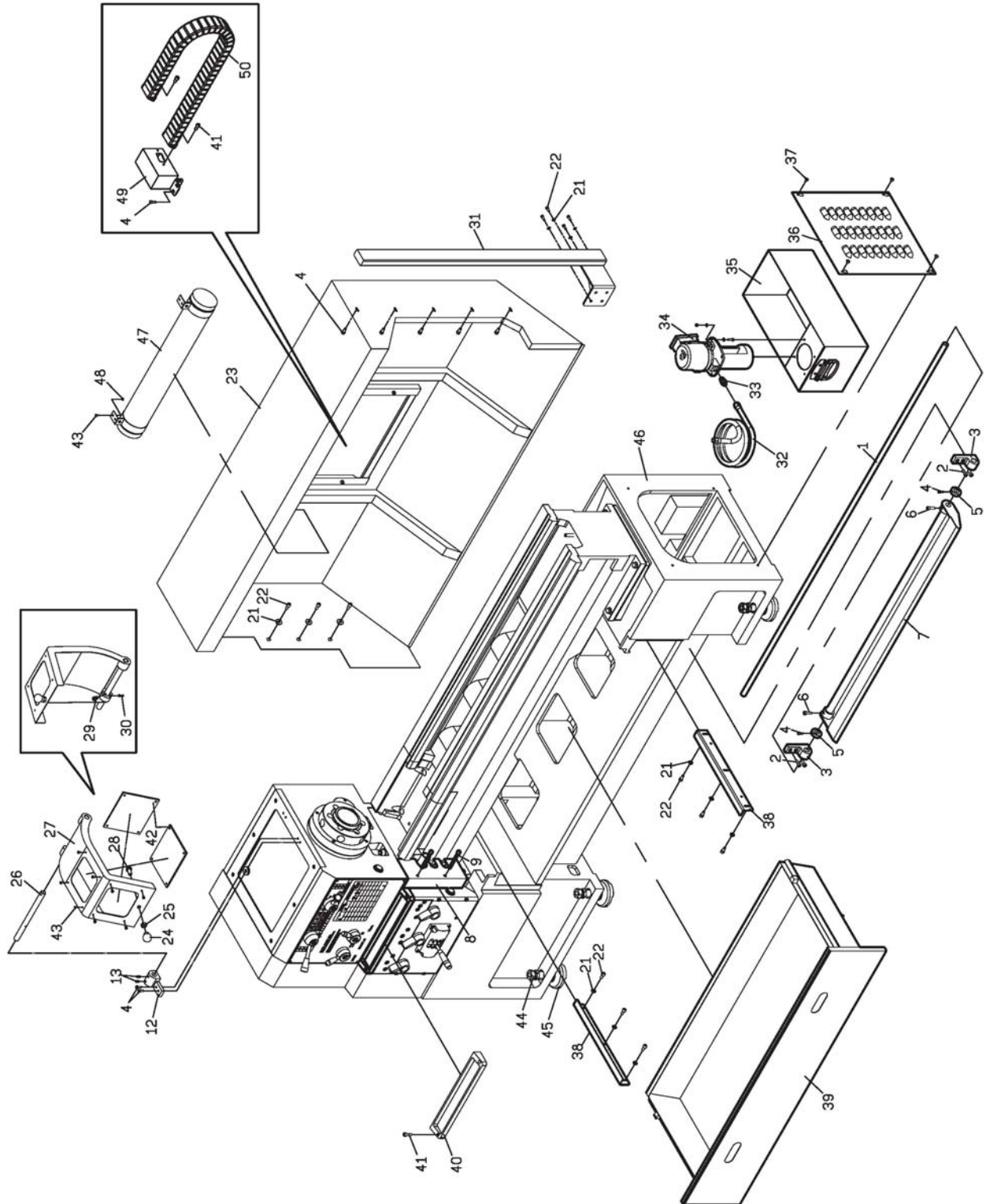
MAIN MOTOR ASSEMBLY



MAIN MOTOR ASSEMBLY PARTS LIST

Index No.	Parts No.	Description	Size	Qty.
1	EGH1740-I01	Pin		2
2	TS-2331101	Nut	M10	9
3	TS-1550071	Washer	M10	9
4	EGH1740-I04	Cover		1
5	EGH1740-I05	Nut		1
6	EGH1740-I06	V belt	50Z B72 & 60Z B71	3
7	EGH1740-I07	Bolt		1
8	EGH1740-I08	Cover		1
9	TS-1534032	Dome Cross Screw	6x10	12
10	EGH1740-I10	Bolt		1
11	TS-2331081	Nut	M8	3
12	EGH1740-I12	Spring		1
13	TS-1504111	Hex. Socket Head Bolt	CAP 8x55	1
14	EGH1740-I14	Cam		1
15	EGH1740-I15	Hex. Socket Head Bolt	CAP6x15	1
16	EGH1740-I16	Lever		1
17	EGH1740-I17	Spring Pin	Ø6x35	1
18	EGH1740-I18	Fixed Plate		1
19	TS-1550061	Washer	M8	2
20	EGH1740-I20	Hex. Socket Head Bolt	CAP 8x15	1
21	EGH1740-I21	Brake Belt		1
22	EGH1740-I22	Clip	E8	1
23	EGH1740-I23	Pin		1
24	EGH1740-I24	Motor	7.5HP	1
25	EGH1740-I25	Washer		1
26	EGH1740-I26	Hex. Head Bolt	12x25	1
27	TS-1503031	Hex. Socket Head Bolt	CAP 6x12	2
28	EGH1740-I28	Bracket		1
29	TS-2284302	Dome Cross Screw	M4x30L	2
30	EGH1740-I30	Limit Switch	Tm-1704	1
31	TS-1505051	Hex. Socket Head Bolt	CAP 10x35	4
32	EGH1740-I32	Shaft		1
33	EGH1740-I33	Support		1
34	EGH1740-I34	Plate		1
35	TS-1505061	Hex. Head Bolt	10x40	1
36	EGH1740-I36	Screw	16x170	1
37	TS-154010	Nut	M16	2
38	TS-1550071	Washer	M10	2
39	TS-2361101	Spring Washer	M10	6
40	TS-1505031	Hex. Head Bolt	10x25	2
44	EGH1740-I44	Electrical Box		1
45	EGH1740-I45	Limit Switch	Tm1307	1
46	EGH1740-I46	Cover		1
47	EGH1740-I47	Cover		1
48	EGH1740-I48	Block		1
49	EGH1740-I49	Motor Pulley		1
50	EGH1740-I50	Dome Cross Screw	M4x40L	2
51	TS-1540021	Nut	M4xP0.7	2

CABINET AND PANEL ASSEMBLY
 (FRONT MOVEABLE CHIP TRAY OPTIONS)



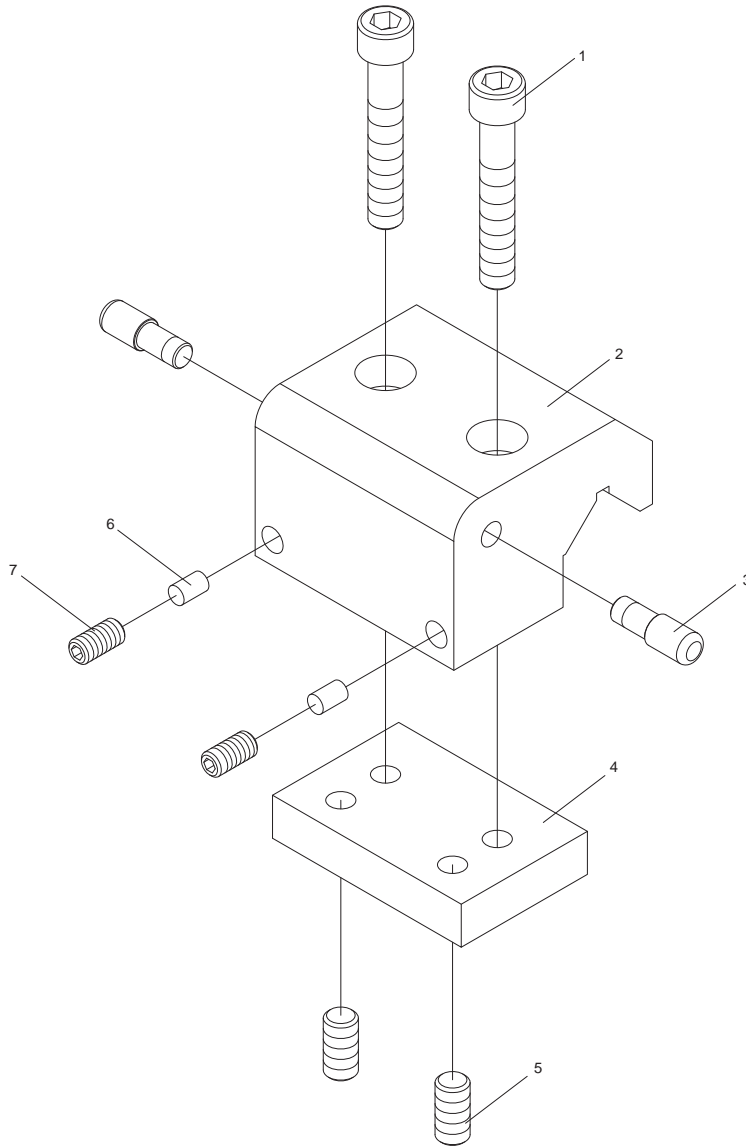
CABINET AND PANEL PARTS LIST
(FRONT MOVEABLE CHIP TRAY OPTIONAL)

Index No.	Parts No.	Description	Size	Qty.
1	EGH1740-J01	Shaft		1
	EGH1760-J01	Shaft		1
2	TS-1504051	Hex. Socket Head Bolt	CAP 8x25	4
3	EGH1740-J03	Pedal Bracket		2
4	TS-1503041	Hex. Socket Head Bolt	CAP6x16	15
5	EGH1740-J05	Ring		2
6	TS-1504051	Hex. Socket Head Bolt	CAP8x25	2
7	EGH1740-J07	Saddle	Model 1740	1
	EGH1760-J07	Saddle	Model 1760	1
8	EGH1740-J08	Plate		1
9	TS-1505071	Hex. Socket Head Bolt	CAP10x45	2
10	EGH1740-J10	Plate		1
12	EGH1740-J12	Small Bracket		1
13	TS-1524031	Set Screw	SET8x12	2
20	TS-2311081	Nut	M8	1
21	TS-1550061	Washer	M8	12
22	TS-1504041	Hex. Socket Head Bolt	CAP8x20	11
23	EGH1740-J23	Back Splash Guard	Model 1740	1
	EGH1760-J23	Back Splash Guard	Model 1760	1
24	EGH1740-J24	Knob		1
25	TS-2331121	Nut	M12xP1.75	1
26	EGH1740-J26	Pivot		1
27	EGH1740-J27	Chuck Safety Guard		1
28	TS-1506011	Hex. Socket Head Bolt	CAP12x20	1
29	TS-1503031	Hex. Socket Head Bolt	CAP6x12	1
30	TS-1522051	Set Screw	SET5x16	1
31	EGH1740-J31	Bracket		1
32	EGH1740-J32	Coolant Conduit 40	CT801x3/8"x72"	1
	EGH1760-J32	Coolant Conduit 60	CT801x3/8"x78"	1
33	EGH1740-J33	Nipple	3/8"PTx3/8"PH	1
34	EGH1740-J34	Coolant Pump	MC8150	1
35	EGH1740-J35	Coolant Tank		1
36	EGH1740-J36	Cover		1
37	TS-1534032	Dome Cross Screw	6x10	6
38	EGH1740-J38	Angle Steel		2
39	EGH1740-J39	Chip Tray		1
	EGH1760-J39	Chip Tray		1
40	EGH1740-J40	Cover		1
41	TS-1503051	Hex. Socket Head Bolt	CAP6x20	2
42	EGH1740-J42	Guard		2
43	TS-1514011	Dome Hex. Screw	M6x12	8
44	EGH1740-J44	Block		6
45	EGH1740-J45	Hexagon Head Bolt	M25x65	6
46	EGH1740-J46	Stand		1
	EGH1760-J46	Stand		1
47	EGH1740-J47	Work Lamp	Same as EGH1760	1



Index No.	Parts No.	Description	Size	Qty.
48	TS-1540041	Nut	M6	4
49	EGH1740-J49	Upper Socket Enclosure		1
50	EGH1740-J50	Cable Sheath (Alum.)	40-KR100No8-1270mm	1
	EGH1760-J50	Cable Sheath (Alum.)	60-KR100No8-1500mm	1

BED STOP ASSEMBLY (OPTIONAL) & PARTS LIST

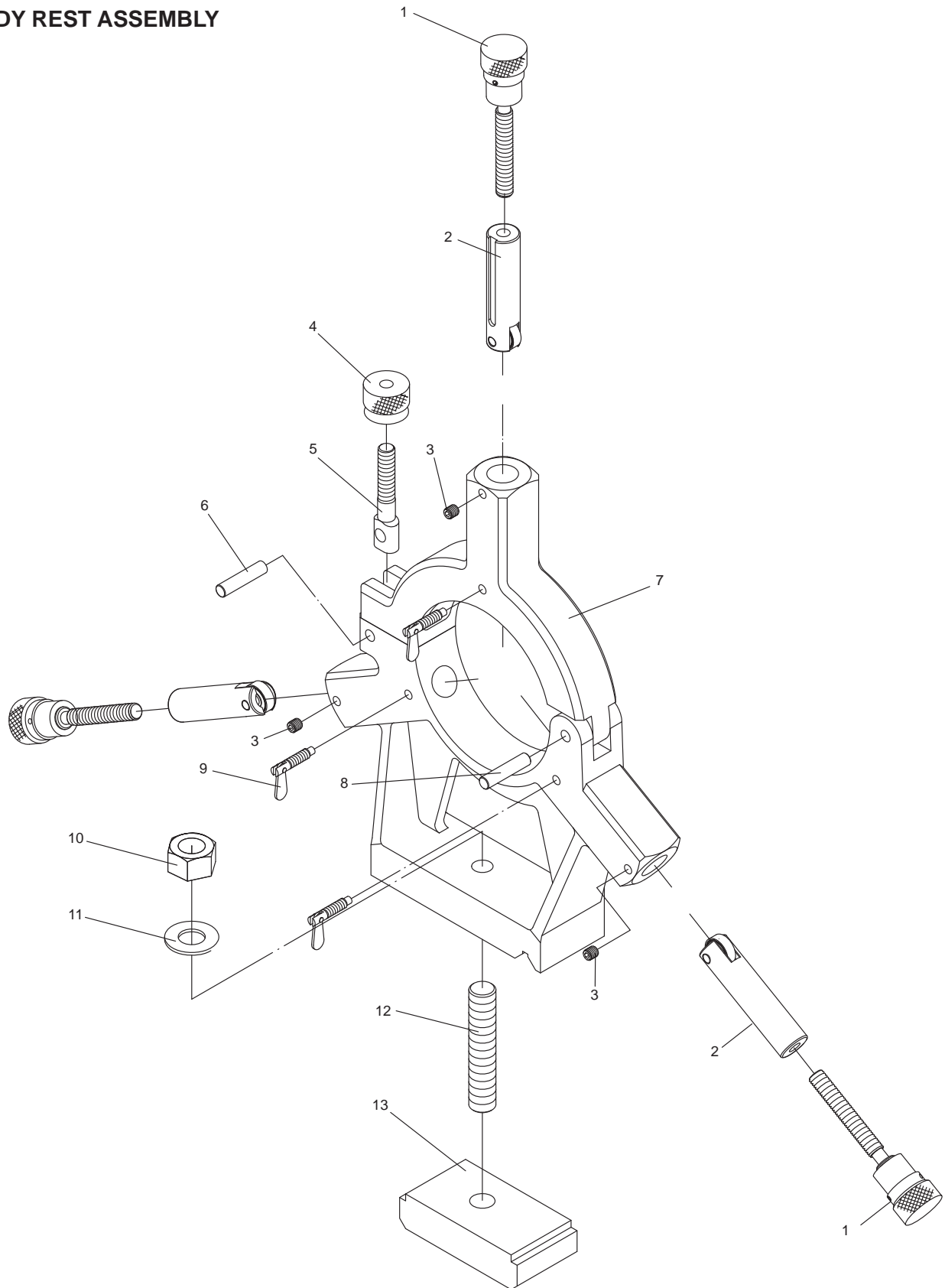


Index No.	Parts No.	Description	Size	Qty.
1	TS-1505101	Hex. Socket Head Bolt	M10x60	2
2	EGH1740-P02	Rivet	Ø2	2
3	EGH1740-P03	Name Plate		1
4	EGH1740-P04	Micro Dial		1
5	EGH1740-P05	Body		1
6	EGH1740-P06	Rod		1
7	EGH1740-P07	Clamp Plate		1
8	TS-1525041	Set Screw	M10x20	2
9	EGH1740-P09	Copper Pin		2
10	TS-1524041	Set Screw	M8x16	2
11	TS-1524031	Set Screw	M8x12	1
12	TS-1524031	Set Screw	M8x12	1

CONVENTIONAL TAILSTOCK ASSEMBLY PARTS LIST

Index No.	Parts No.	Description	Size	Qty.
1	EGH1740-K01	Screw & Nut	Assembly for replacement	1
2	EGH1740-K02	Key	6x6x25	1
3	BB-51105	Thrust Bearing	51105	2
4	EGH1740-K04	Flange		1
5	EGH1740-K05	Index Ring		1
6	EGH1740-K06	Handle		1
7	EGH1740-K07	Handle		1
8	EGH1740-K08	Bolt		1
9	EGH1740-K09	Fixed Screw		1
10	EGH1740-K10	Spring		3
11	EGH1740-K11	Steel Ball	1/4"	3
13	EGH1740-K13	Guide Key		1
14	EGH1740-K14	Oil Ball	1/4"	2
15	EGH1740-K15	Tail Stock		1
16	EGH1740-K16	Clamp Lever L & Cam Shaft L	Assembly for replacement	1
17	EGH1740-K17	Clamp Lever R & Cam Shaft R	Assembly for replacement	1
18	EGH1740-K18	Pins		1
19	EGH1740-K19	Quill		1
20	EGH1740-K20	Pin Nut		2
21	EGH1740-K21	Pivot Block		1
22	EGH1740-K22	Plate V		2
23	EGH1740-K23	Wiper V		2
24	EGH1740-K24	Plate F		2
25	EGH1740-K25	Wiper F		2
26	EGH1740-K26	Base		1
27	EGH1740-K27	Gib Screw		2
28	EGH1740-K28	Gib		1
29	EGH1740-K29	Hexagon Head & Screw		2
30	EGH1740-K30	Clamp Block		2
31	EGH1740-K31	Stud Bolt	M18x150L	1
32	EGH1740-K32	Warked Plate		1
33	EGH1740-K33	Stud Bolt	M18x180L	1
34	EGH1740-K34	Nut		1
35	EGH1740-K35	Washer		1
36	EGH1740-K36	Spring		1
37	EGH1740-K37	Washer		1
38	TS-1503051	Hexagon Socket Head Bolt	CAP 6x20	2
39	TS-1503031	Hexagon Socket Head Bolt	CAP 6x12	3
40	EGH1740-K103	Set Screw	SET 8x30	1
41	TS-1503021	Hexagon Socket Head Bolt	CAP 6x10	1
42	TS-1504111	Hexagon Socket Head Bolt	CAP 8x55	2
43	TS-1523071	Set Screw	SET 6x25	1
44	TS-2360181	Washer	M18	4
45	TS-2311181	Nut	M18	3
46	TS-2285121	Dome Cross Screw	M5x12	8
47	TS-2361181	Spring Washer	M18	2
48	EGH1740-K111	Pin	Ø4x38	1
49	EGH1740-K112	Oil Seal	DH-60	1
50	TS-1540041	Nut	M6	1

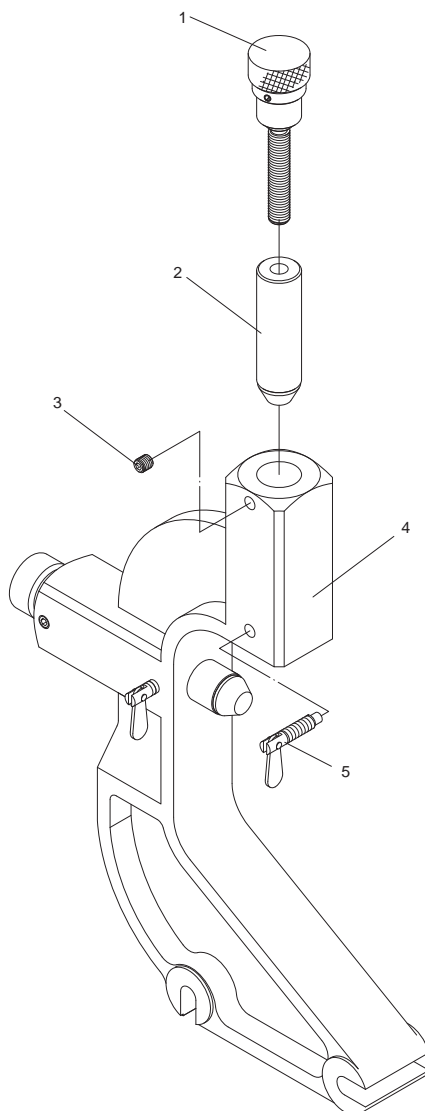
STEADY REST ASSEMBLY



STEADY REST ASSEMBLY PARTS LIST

Index No.	Parts No.	Description	Size	Qty.
1	EGH1740-Q01	Adjusting knob , Spring pin(\varnothing 4x40L) , Collar, Screw	Assembly for Replacement	3
2	EGH1740-Q02	Finger , Pin , Ball bearing(627)	Assembly for Replacement	3
3	TS-1524011	Set Screw	M8x8L	3
4	EGH1740-Q04	Knob Nut		1
5	EGH1740-Q05	Clamp Screw		1
6	EGH1740-Q06	Pin		1
7	EGH1740-Q07	Top Casting & Base Casting	Assembly for replacement	1
8	EGH1740-Q08	Hinge Pin		1
9	EGH1740-Q09	Single Wing Bolt		3
10	TS-2331121	Nut	M12xP1.75	1
11	EGH1740-Q11	Spring Washer	M12	1
12	EGH1740-Q12	Hexagon Head Bolt	M12xP1.75x75L	1
13	EGH1740-Q13	Clamp Plate		1
	EGH17-SRA	Steady Rest Assembly		1

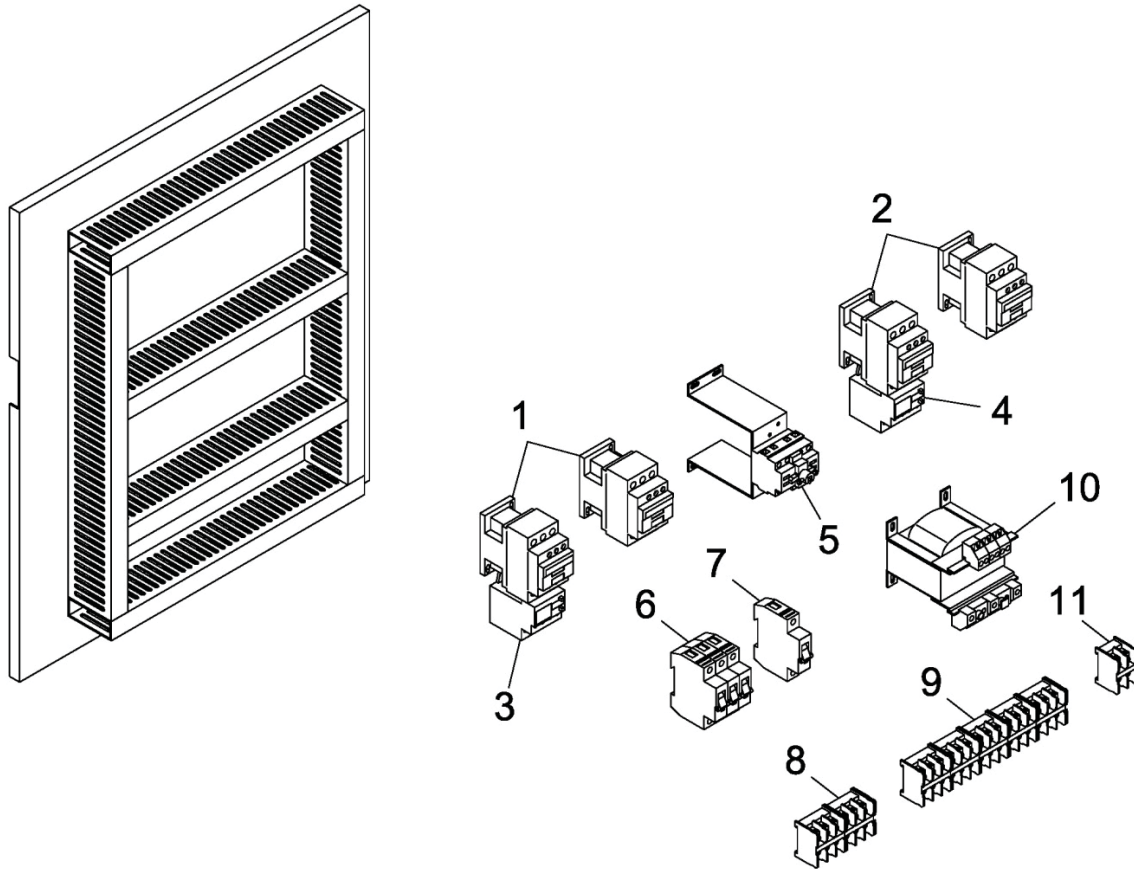
FOLLOW REST ASSEMBLY



FOLLOW REST ASSEMBLY PARTS LIST

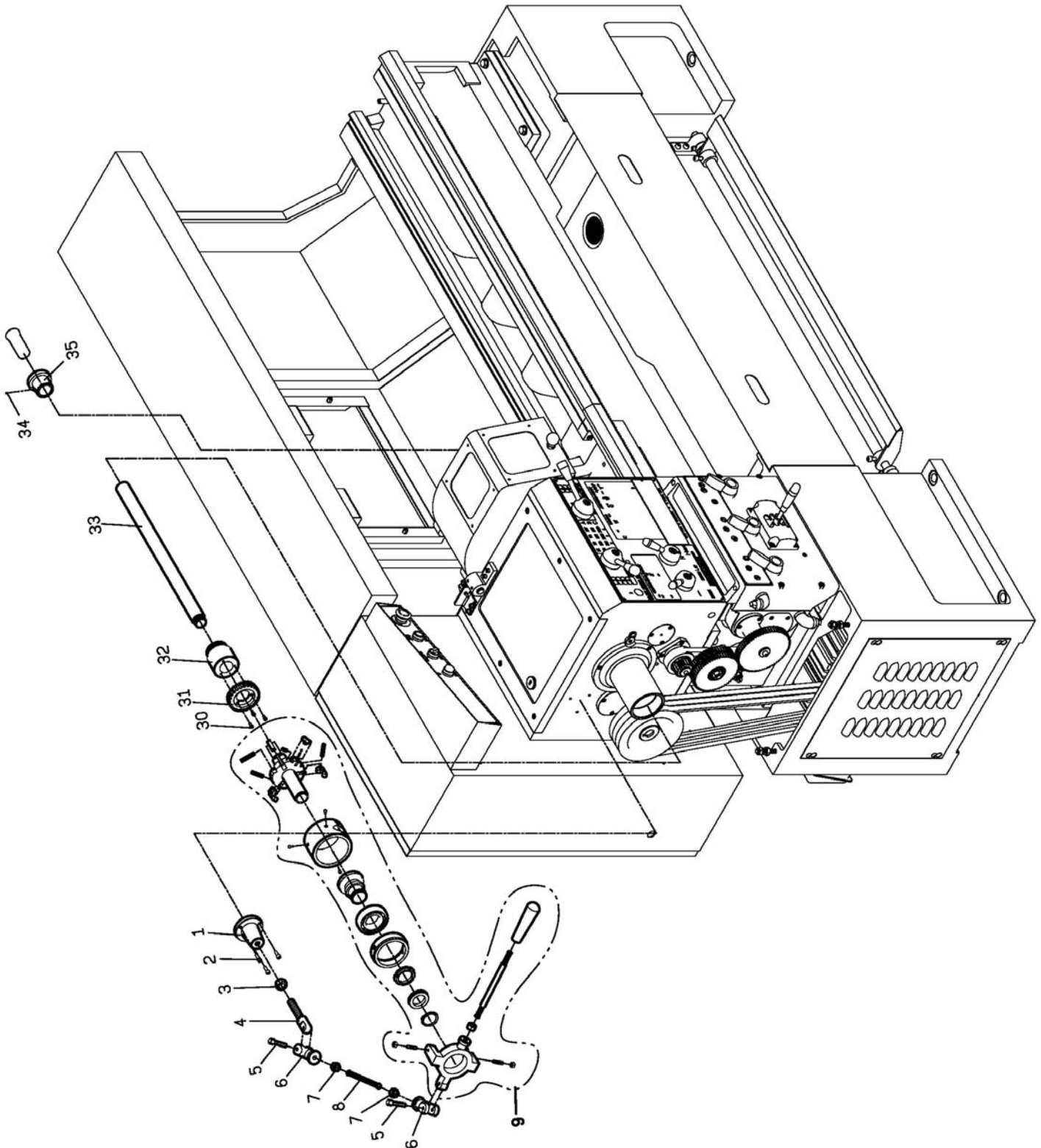
Index No.	Parts No.	Description	Size	Qty.
1	EGH1740-R01	Adjusting Screw, Spring Pin 4x40L, Collar, Screw	Assembly for replacement	2
2	EGH1740-R02	Finger, Bracket	Assembly for replacement	2
2-1	EGH1740- R02BB	Finger, Ball Bearing(627), Pin	Assembly for replacement	2
3	TS-1524011	Set Screw	M8x8L	2
4	EGH1740-R04	Casting		1
5	EGH1740-R05	Single Wing Bolt		1
	EGH17-FCA	Follow Rest Assembly w/ Copper (Key No.2)		1
	EGH17-FBBA	Follow Rest Assembly w/ Ball Bearing (Key No.2-1)		1

EGH1740/EGH1760 ELECTRICAL BOX ASSEMBLY & PARTS LIST



Index No.	Parts No.	Description	Size	Qty.
1	EGH1740-EL01	Magnetic Switch	AC24V	2
2	EGH1740-EL02	Magnetic Switch	AC24V	2
3	EGH1740-EL03	Over Relay	23A-32A	1
4	EGH1740-EL04	Over Relay	0.25A-0.4A	1
5	EGH1740-EL05	Cam Switch	32A	1
6	EGH1740-EL06	Fuse Base		1
	EGH1740-FU25A	Fuse (not shown) same as EGH1760	25A	3
7	EGH1740-EL07	Fuse Base		1
	EGH1740-FU6A	Fuse (not shown) same as EGH1760	6A	1
8	EGH1740-EL08	Terminal Board	30A	2
9	EGH1740-EL09	Terminal Board	20A	5
10	EGH1740-EL10	Transformer	140VA	1
	EGH1740-FU4A	Fuse (not shown) same as EGH1760	24V, 4A	1
	EGH1740-FU1A	Fuse (not shown) same as EGH1760	110V, 1A	1
11	EGH1740-EL11	Terminal Board	2P 20A	1

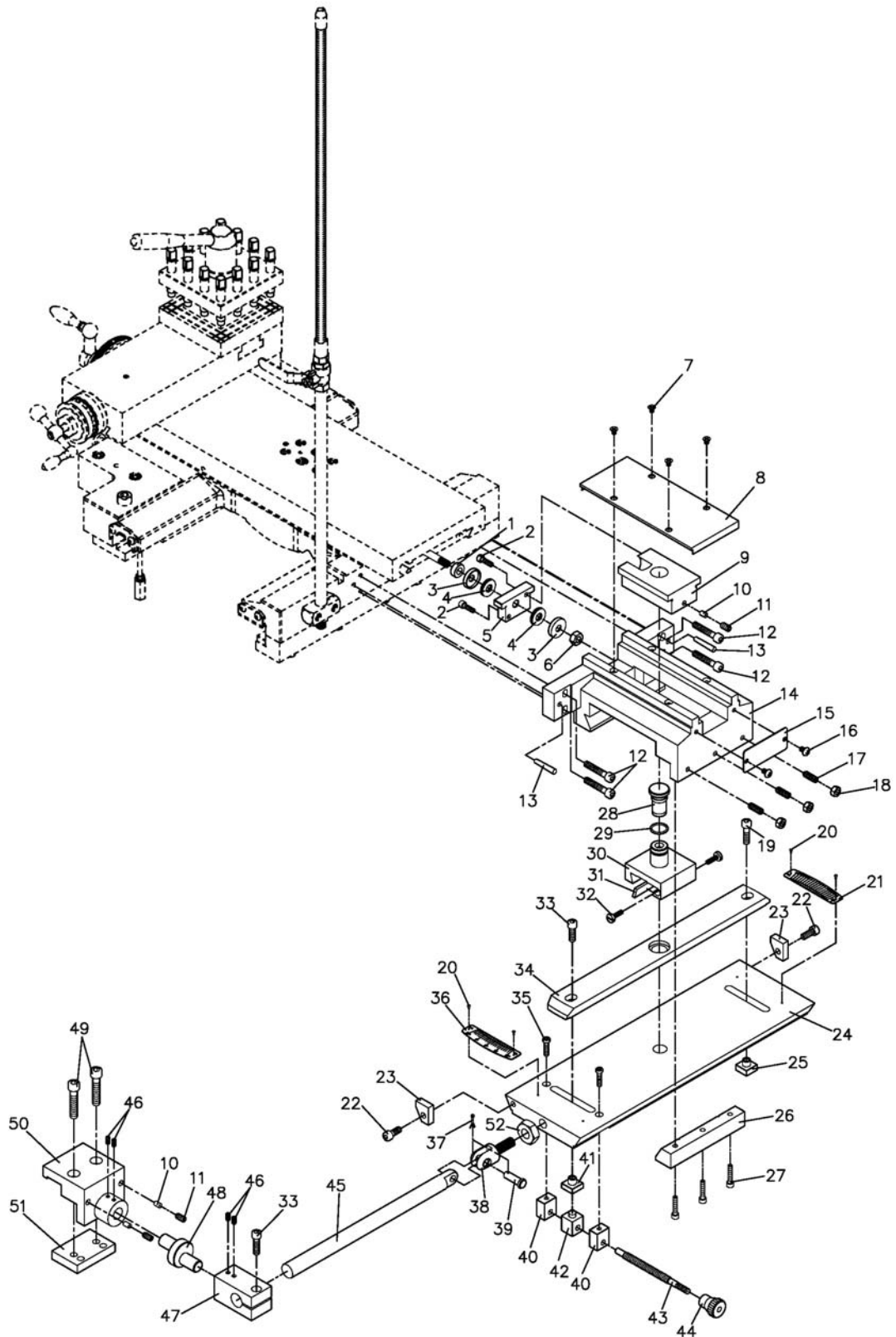
892156 5C COLLET CLOSER (OPTIONAL)



892156 5C COLLET CLOSER (OPTIONAL) PARTS LIST

Index No.	Parts No.	Description	Size	Qty.
1	EGH1740-O02	Bracket		1
2	TS-1503061	Hex. Socket Head Bolt	M6x25	3
3	TS-154010	Nut	M16	1
4	EGH1740-O04	Bolt		1
5	EGH1740-O05	Bolt		1
6	EGH1740-O06	Connector Casting		1
7	TS-0561051	Nut	W½"	2
8	EGH1740-O08	Screw	W½ x 155mm	1
9	EGH1740-O09	Handle Casting		1
		Set Screw	M8x10	2
		Nut	M8	2
		Nut	½" - 12UNC	1
		Handle Rod		1
		Handle		1
		Clip	S34	1
		Washer	Ø52.4xØ34.4x9	1
		Nut		1
		Bearing And Retainer		1
		Ball Bearing	6208	1
		Cam		1
		Hex. Socket Head Bolt	M4x8	3
		Collar		1
		Tube		1
		Finger		3
		Pivot Pin	Ø6x40	3
		Knob		1
Steel Ball	Ø5	1		
Spring		1		
Pin	Ø5x18	1		
30	TS-1502031	Hex. Socket Head Bolt	M5x12	3
31	EGH1740-O31	Index Ring		1
32	EGH1740-O32	Hub		1
33	EGH1740-O33	Tube		1
34	EGH1740-O34	Pin		1
35	EGH1740-O35	Bushing		1
	892156	5C Collet Closer Assembly		1

892157 TAPER ATTACHMENT (OPTIONAL)



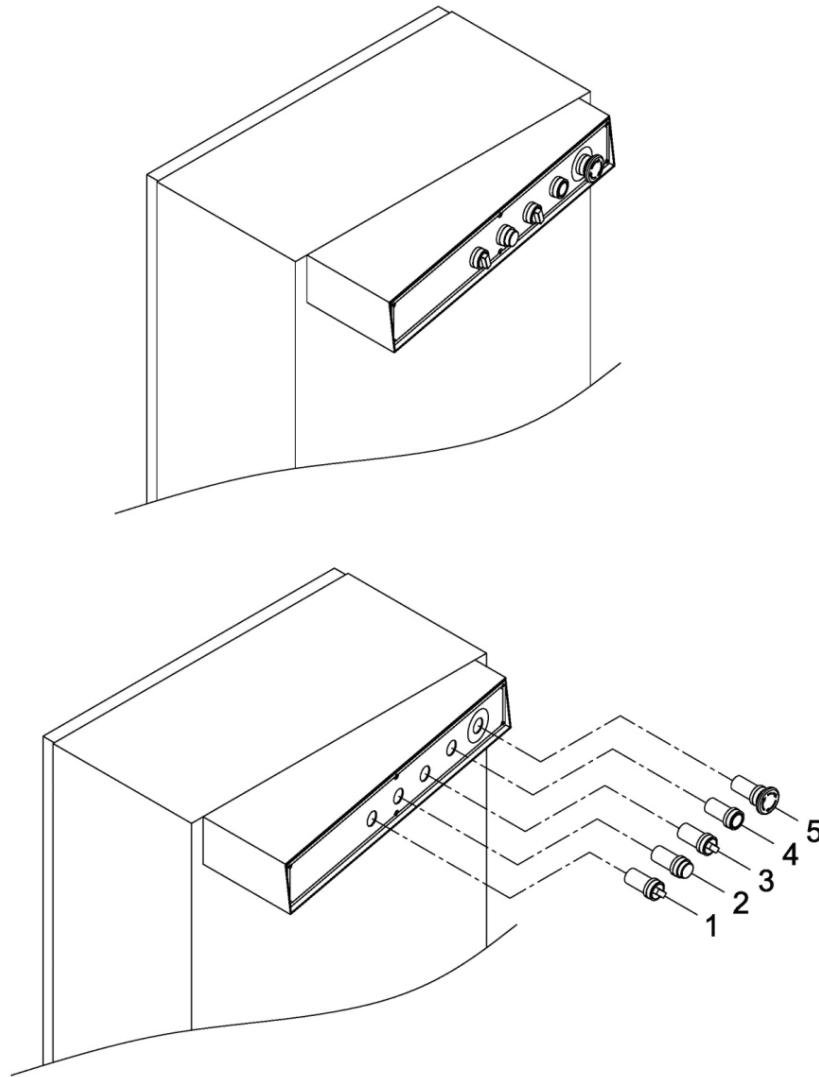
892157 TAPER ATTACHMENT (OPTIONAL) PARTS LIST

Index No.	Parts No.	Description	Size	Qty.
1	EGH1740-T01	Collar		1
2	TS-1503051	Hex. Socket Head Bolt	CAP 6x20	2
3	EGH1740-T03	Cap Collar		2
4	EGH1740-T04	Thrust Bearing	NTB / AS2-1226	2
5	EGH1740-T05	Yoke Plate		1
6	TS-1540071	Nut	M10	1
7	BD920N-A14	Socket Head Flat Screw	M6x8	4
8	EGH1740-T08	Cover Plate		1
9	EGH1740-T09	Yoke		1
10	EGH1740-T10	Copper Pin		3
11	EGH1740-T11	Set Screw	M8x6	3
12	TS-1504091	Hex. Socket Head Bolt	CAP 8x45	4
13	EGH1740-T13	Taper Pin	#6x1½"	2
14	EGH1740-T14	Main Bracket		1
15	EGH1740-T15	Plate		1
16	TS-1534032	Dome Cross Screw	M6x10	2
17	TS-1524061	Set Screw	M8x25	3
18	TS-2311081	Hexagon Nut	M8	3
19	TS-1504061	Hex. Socket Head Bolt	CAP 8x30	2
20	EGH1740-T20	Rivet	Ø2	4
21	EGH1740-T21	Angle Scale		1
22	TS-1504041	Hex. Socket Head Bolt	CAP 8x20	2
23	EGH1740-T23	Stop		2
24	EGH1740-T24	Plate		1
25	EGH1740-T25	Nut		1
26	EGH1740-T26	Gib		1
27	TS-1503071	Hex. Socket Head Bolt	CAP 6x30	3
28	EGH1740-T28	Slide Pivot Pin		1
29	EGH1740-T29	O Ring	P21	1
30	EGH1740-T30	Side Block		1
31	EGH1740-T31	Gib		1
32	EGH1740-T32	Screw		1
33	TS-1504051	Hex. Socket Head Bolt	CAP 8x25	2
34	EGH1740-T34	Swivel Slide		1
35	TS-1503061	Hex. Socket Head Bolt	CAP 6x25	2
36	EGH1740-T36	Angle Scale		1
37	EGH1740-T37	Cotter Pin	Ø2.5x16	1
38	EGH1740-T38	Bolt		1
39	EGH1740-T39	Clevis Pin		1
40	EGH1740-T40	Block		2
41	EGH1740-T41	Nut		1
42	EGH1740-T42	Block		1
43	EGH1740-T43	Screw		1
44	EGH1740-T44	Knob		1



Index No.	Parts No.	Description	Size	Qty.
45	EGH1740-T45	Clamp Rod		1
46	TS-1523041	Set Screw	M6x12	4
47	EGH1740-T47	Bracket		1
48	EGH1740-T48	Eccentric Pin		1
49	TS-1505081	Hex. Socket Head Bolt	CAP 10x50	2
50	EGH1740-T50	Bracket		1
51	EGH1740-T51	Clamp Plate		1
52	TS-154009	Nut	M14	1
	892157	Taper Attachment (#1 thru 52)		1

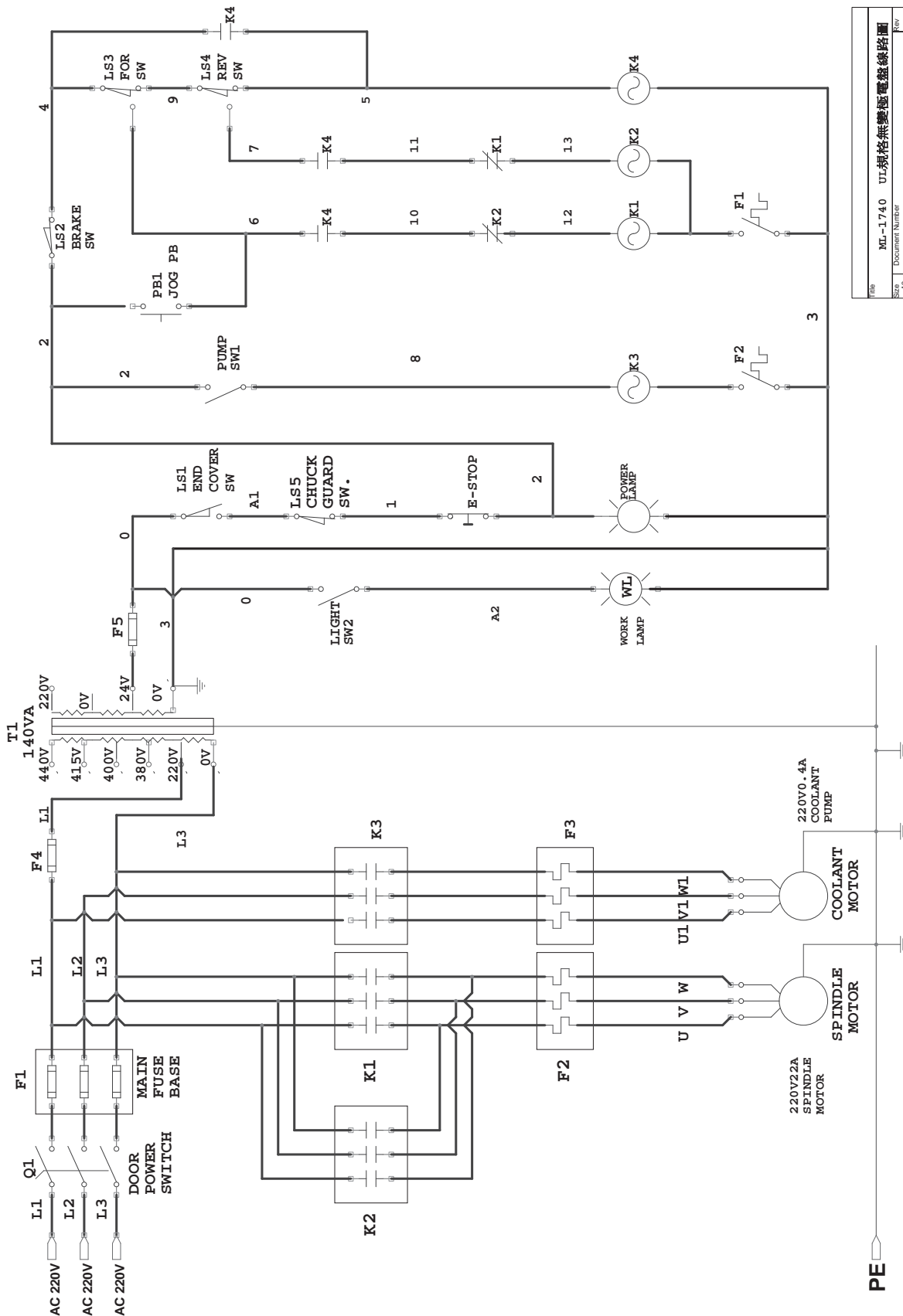
EGH1740/EGH1760 CONTROL BOX ASSEMBLY & PARTS LIST



Index No.	Parts No.	Description	Size	Qty.
1	EGH1740-CB01	Light Switch	SW2	1
2	EGH1740-CB02	Power Lamp	W1	1
3	EGH1740-CB03	Pump Switch	SW1	1
4	EGH1740-CB04	Jog Switch	PB1	1
5	EGH1740-CB05	Emergency Stop Switch	E-STOP	1



12.0 WIRING DIAGRAM



File	ML-1740	UL規格無變壓電線路圖
Size	A3	Document Number
Date	Thursday, March 28, 2013	7.5HP 220V
	2	Rev
	2	Sheet