



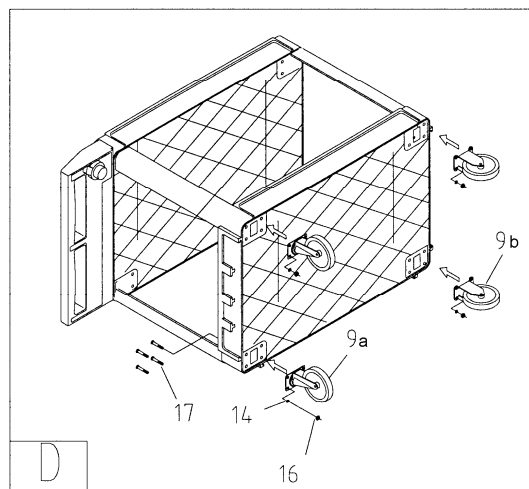
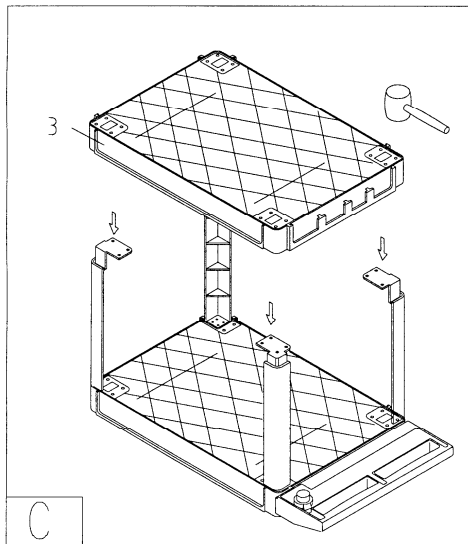
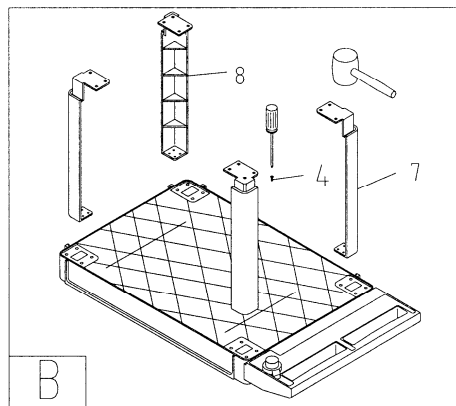
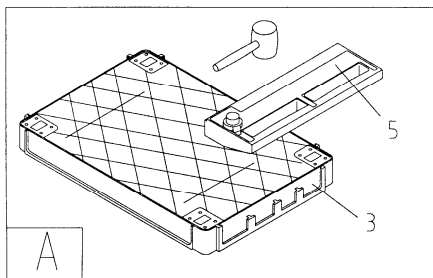
Plastic Utility Carts

Models PUC-3117 and PUC-3725

Warnings

- Review all instructions before assembling the cart.
- Improper assembly can cause personal injury and/or property damage.
- Maximum load is 550 lbs. distributed evenly. Do not overload cart.
- Do not step into or on the cart, or use it as a toy.

To assemble the cart, follow the illustrations below. You will need a cross-point screwdriver and a rubber or wood mallet. Use the mallet to tap down the parts to ensure they are seated properly before fastening them with screws. (NOTE: Numerals refer to parts list on reverse side of this sheet.)



JET

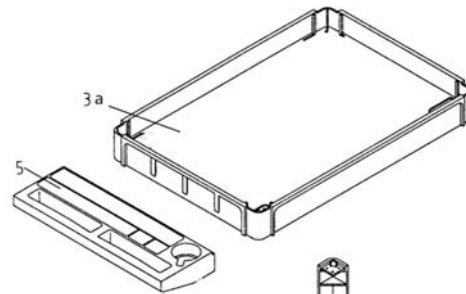
427 New Sanford Road
LaVergne, Tennessee 37086
Ph.: 800-274-6848
www.jettools.com

Part No. M-140018
Revision B 04/2015

Copyright © 2015 JET, a Division of JPW Industries, Inc.

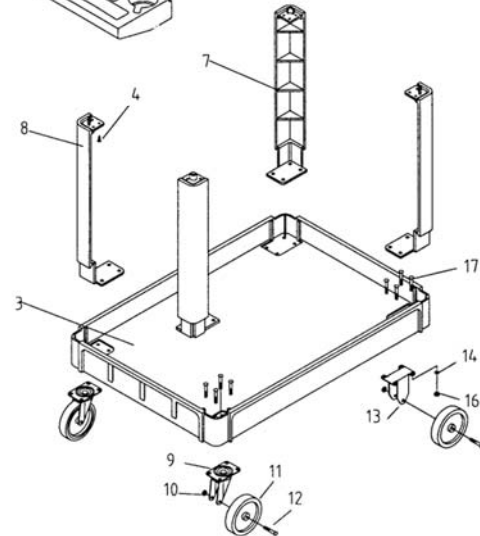
Specifications: PUC-3117

Stock Number..... 140018
 Maximum Capacity (lbs.)550
 Platform Size (in.)(LxWxH)31 x 17 x 4.33
 Upper Platform Height (in.)33½
 Height between Platforms (in.)..... 19.68
 Low Platform Height (in.)6
 Caster Size (in.)(O.D. x W) 5 x 1
 Overall Size (in.)(LxWxH) 39¾ x 17 x 33½
 Approx. Net Weight (lbs.).....35
 Approx. Shipping Weight (lbs.).....40



Specifications: PUC-3725

Stock Number..... 140019
 Maximum Capacity (lbs.)550
 Platform Size (in.)(LxWxH) ... 37.40 x 25½ x 4.33
 Upper Platform Height (in.)33½
 Height between Platforms (in.)..... 19.68
 Low Platform Height (in.)6
 Caster Size (in.)(O.D. x W) 5 x 1
 Overall Size (in.)(LxWxH) 46 x 25½ x 33½
 Approx. Net Weight (lbs.).....45
 Approx. Shipping Weight (lbs.).....50



Parts List

Index No.	Part No.	Description	Size	Qty
3a.....	PUC3117-3a.....	Upper Platform (for model PUC-3117)		1
.....	PUC3725-3a.....	Upper Platform (for model PUC-3725)		1
3.....	PUC3117-3.....	Platform (for model PUC-3117).....		1
.....	PUC3725-3.....	Platform (for model PUC-3725).....		1
4.....	PUC3117-4.....	Cross Head Screw.....	M6x25	12
5.....	PUC3117-5.....	Handle (for model PUC-3117).....		1
.....	PUC3725-5.....	Handle (for model PUC-3725).....		1
7.....	PUC3117-7.....	Leg.....		2
8.....	PUC3117-8.....	Leg.....		2
9a.....	PUC3117-SCA.....	Swivel Caster Assembly (includes index no. 9 thru 12).....		2
9b.....	PUC3117-FCA.....	Fixed Caster Assembly (includes index no. 10 thru 13)		2
9.....	PUC3117-9.....	Swivel Caster Mount.....		2
10.....	TS-1541031.....	Nylon Lock Hex Nut.....	M8	4
11.....	PUC3117-11.....	Caster		4
12.....	PUC3117-12.....	Axle Bolt.....	M8 x 45	4
13.....	PUC3117-13.....	Fixed Caster Mount		2
14.....	TS-2361081.....	Lock Washer	M8	16
16.....	TS-1540061.....	Hex Nut.....	M8	16
17.....	PUC3117-17.....	Special Screw.....	M8 x 45	16