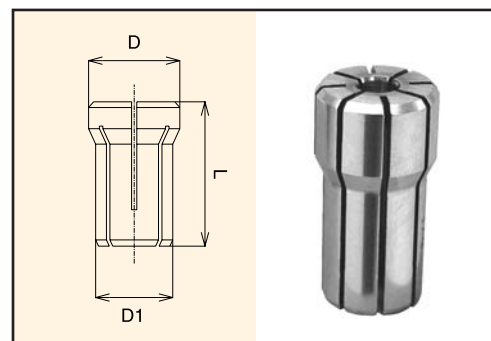


## DA Collets

### DA Collet Dimensional Data

Style	D	D1	L	Collet Range	Nut Tightening Torque
300DA	0.375"	0.300"	1.000"	3/64-1/4"	18 ft.lbs
200DA	0.539"	0.453"	1.193"	3/64-3/8"	25 ft.lbs
100DA	0.769"	0.653"	1.441"	3/64-9/16"	35 ft.lbs
180DA	1.035"	0.873"	1.637"	3/64-3/4"	40 ft.lbs



## 300DA and 200DA Collets

DA collets collapse approximately 1/32"

### 300DA Collets

Size range: 3/64" - 1/4"

Part Number	Size
030-003	3/64"
030-004	1/16"
030-005	5/64"
030-006	3/32"
030-007	7/64"
030-008	1/8"
030-009	9/64"
030-010	5/32"
030-011	11/64"
030-012	3/16"
030-013	13/64"
030-014	7/32"
030-015	15/64"
030-016	1/4"

### 200DA Collets

Size range: 3/64" - 3/8"

Part Number	Size
020-003	3/64"
020-004	1/16"
020-005	5/64"
020-006	3/32"
020-007	7/64"
020-008	1/8"
020-009	9/64"
020-010	5/32"
020-011	11/64"
020-012	3/16"
020-013	13/64"
020-014	7/32"
020-015	15/64"
020-016	1/4"
020-017	17/64"
020-018	9/32"
020-019	19/64"
020-020	5/16"
020-021	21/64"
020-022	11/32"
020-023	23/64"
020-024	3/8"



300DA Collet



200DA Collet

### 300DA Collets Sets

030-107	7 Piece 300DA Collet Set: 1/16 - 1/4" by 32nds
030-109	9 Piece 300DA Collet Set: 1/8 - 1/4" by 64ths
030-113	13 Piece 300DA Collet Set: 1/16 - 1/4" by 64ths
030-114	14 Piece 300DA Collet Set: 3/64 - 1/4" by 64ths

### 200DA Collets

020-109	9 Piece 200DA Collet Set: 1/8 - 3/8" by 32nds
020-111	11 Piece 200DA Collet Set: 1/16 - 3/8" by 32nds
020-117	17 Piece 200DA Collet Set: 1/8 - 3/8" by 64ths
020-121	21 Piece 200DA Collet Set: 1/16 - 3/8" by 64ths