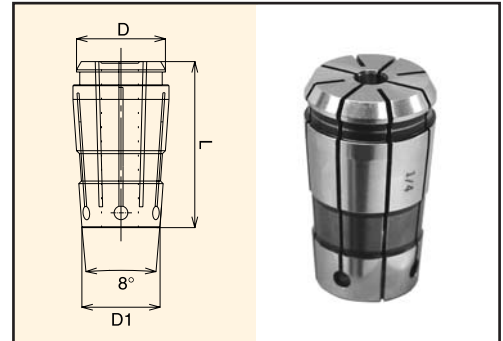


TG Collets

Dimensional Data

Style	D	D1	L	Collet Range	Nut Tightening Torque
25TG	0.425"	0.325"	0.709"	3/64-1/4"	20 ft.lbs
50TG	0.760"	0.594"	1.437"	1/8-1/2"	35 ft.lbs
75TG	1.063"	0.871"	1.844"	3/64-3/4"	55 ft.lbs
100TG	1.278"	1.121"	2.386"	3/64-1"	75 ft.lbs
150TG	1.875"	1.678"	3.000"	1/2"-1.1/2"	100 ft.lbs

- Tolerance: Guaranteed to be within 0.0003" at the collet nose.
- Accuracy: Less than 0.0005" at 4 x D.



25TG and 50TG Collets

TG standard collets collapse approximately 1/64"

25TG Collets

Size range: 3/64"-1/4"

Part Number	Size
025-003	3/64"
025-004	1/16"
025-005	5/64"
025-006	3/32"
025-007	7/64"
025-008	1/8"
025-009	9/64"
025-010	5/32"
025-011	11/64"
025-012	3/16"
025-013	13/64"
025-014	7/32"
025-015	15/64"
025-016	1/4"

25TG Collets Sets

025-113	13 Piece 25TG Collet Set: 1/16"-1/14" by 64ths
---------	---

50TG Collets

Size range: 1/8"-1/2"

Part Number	Size
050-008	1/8"
050-009	9/64"
050-010	5/32"
050-011	11/64"
050-012	3/16"
050-013	13/64"
050-014	7/32"
050-015	15/64"
050-016	1/4"
050-017	17/64"
050-018	9/32"
050-019	19/64"
050-020	5/16"
050-021	21/64"
050-022	11/32"
050-023	23/64"
050-024	3/8"
050-025	25/64"
050-026	13/32"
050-027	27/64"
050-028	7/16"
050-029	29/64"
050-030	15/32"
050-031	31/64"
050-032	1/2"

50TG Collets Sets

050-113	13 Piece 50TG Collet Set: 1/8"-1/2" by 32nds
050-125	25 Piece 50TG Collet Set: 1/8"-1/2" by 64ths



25TG Collets



50TG Collets