



End Mill Holders

ER/TG/DA Collet Chucks

Shell Mill Holders

Drill Chucks

Tap Holders

Stub, Boring, Blank

R8, 5C, 3J, 16C



Current Promotion

Scan  
these  
QR Codes



Featured Video

# R8 Collets

All R8 collets are made with hardened threaded bushing in the back for long life. R8 Collets do not collapse.

INCH					
Part Number	Size	Part Number	Size	Part Number	Size
800-004	1/16"	800-026	13/32"	800-048	3/4"
800-006	3/32"	800-028	7/16"	800-050	25/32"
800-008	1/8"	800-030	15/32"	800-052	13/16"
800-010	5/32"	800-032	1/2"	800-054	27/32"
800-012	3/16"	800-034	17/32"	800-056	7/8"
800-014	7/32"	800-036	9/16"	800-064*	1"
800-016	1/4"	800-038	19/32"	860-001S R8 Steel Emergency Collet: 1/16" pilot hole	
800-018	9/32"	800-040	5/8"		
800-020	5/16"	800-042	21/32"		
800-022	11/32"	800-044	11/16"		
800-024	3/8"	800-046	23/32"		

\* Cannot be used with notches, flats, weldon shank. We recommend using End Mill Holders.

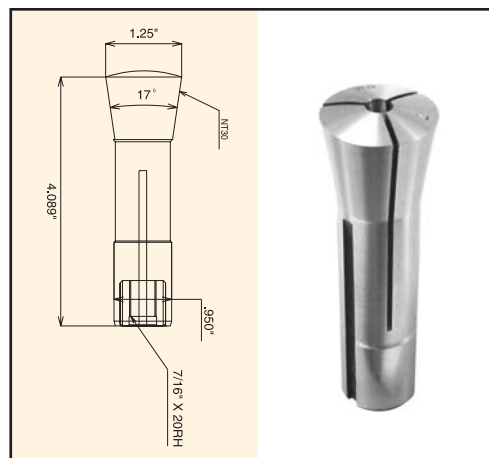
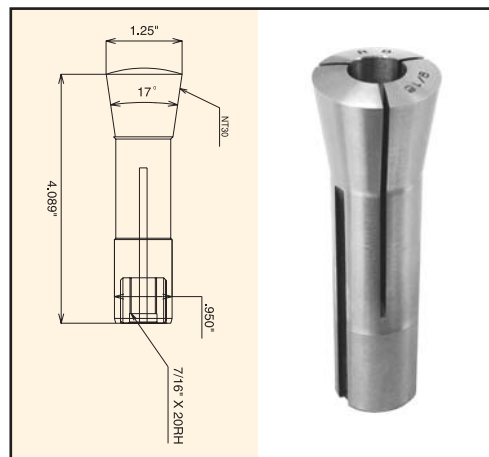
METRIC					
Part Number	Size	Part Number	Size	Part Number	Size
820-003	3mm	820-009	9mm	820-015	15mm
820-004	4mm	820-010	10mm	820-016	16mm
820-005	5mm	820-011	11mm	820-017	17mm
820-006	6mm	820-012	12mm	820-018	18mm
820-007	7mm	820-013	13mm	820-019	19mm
820-008	8mm	820-014	14mm	820-020	20mm

## R8 Collet Sets

Part Number	Description	Set Configuration
810-006	6 Piece R8 Collet Set	Size Range: 1/8" - 3/4" by 8ths
810-008	8 Piece R8 Collet Set	Size Range: 1/8" - 1" by 8ths
810-011	11 Piece R8 Collet Set	Size Range: 1/8" - 3/4" by 16ths
810-012	12 Piece R8 Collet Set	Size Range: 1/8" - 3/4" by 16ths + 7/8"
810-013	13 Piece R8 Collet Set	Size Range: 1/8" - 7/8" by 16ths
810-014	14 Piece R8 Collet Set	Size Range: 1/16" - 7/8" by 16ths
810-021	21 Piece R8 Collet Set	Size Range: 1/8" - 3/4" by 32nds
810-023	23 Piece R8 Collet Set	Size Range: 1/16" - 3/4" by 32nds
810-025	25 Piece R8 Collet Set	Size Range: 1/8" - 7/8" by 32nds
810-027	27 Piece R8 Collet Set	Size Range: 1/16" - 7/8" by 32nds
820-018S	18 Piece R8 Metric Collet Set	Size Range: 3 - 20mm by 1mm

## R8 Collet Rack

Part Number	Description
RACK-R8	Metal Rack, holds 24 piece R8 Collets or R8 chucks



## Tolerance

INCH	
Size Range	T.i.R.
1/16" - 3/8"	0.0007
3/32" - 1"	0.0011

METRIC	
Size Range	T.i.R.
3 to 10mm	0.0007
11 to 20mm	0.0011



# 5C Collets

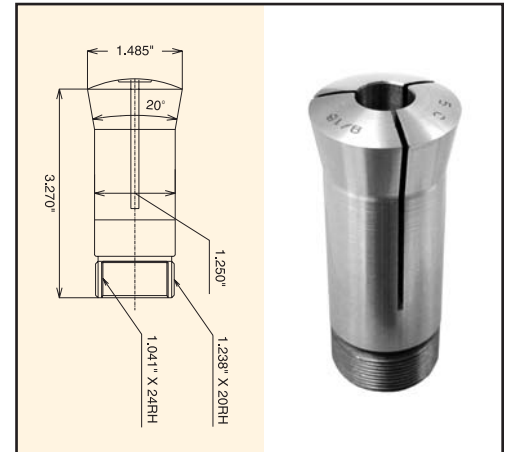
All 5C collets (except 5C Step Collets) have external and internal threads.

## 5C Round Collets

INCH					
Part Number	Size	Part Number	Size	Part Number	Size
500-003	3/64"	500-028	7/16"	500-053	53/64"
500-004	1/16"	500-029	29/64"	500-054	27/32"
500-005	5/64"	500-030	15/32"	500-055	55/64"
500-006	3/32"	500-031	31/64"	500-056	7/8"
500-007	7/64"	500-032	1/2"	500-057	57/64"
500-008	1/8"	500-033	33/64"	500-058	29/32"
500-009	9/64"	500-034	17/32"	500-059	59/64"
500-010	5/32"	500-035	35/64"	500-060	15/16"
500-011	11/64"	500-036	9/16"	500-061	61/64"
500-012	3/16"	500-037	37/64"	500-062	31/32"
500-013	13/64"	500-038	19/32"	500-063	63/64"
500-014	7/32"	500-039	39/64"	500-064	1"
500-015	15/64"	500-040	5/8"	500-065*	1-1/64"
500-016	1/4"	500-041	41/64"	500-066*	1-1/32"
500-017	17/64"	500-042	21/32"	500-067*	1-3/64"
500-018	9/32"	500-043	43/64"	500-068*	1-1/16"
500-019	19/64"	500-044	11/16"	500-069*	1-5/64"
500-020	5/16"	500-045	45/64"	500-070*	1-3/32"
500-021	21/64"	500-046	23/32"	500-071*	1-7/64"
500-022	11/32"	500-047	47/64"	500-072*	1-1/8"
500-023	23/64"	500-048	3/4"	560-001B	5C Brass collet has 1/16" pilot hole
500-024	3/8"	500-049	49/64"	560-001S	5C Steel emergency collet has 1/16" pilot hole and hardened threads
500-025	25/64"	500-050	25/32"		
500-026	13/32"	500-051	51/64"		
500-027	27/64"	500-052	13/16"		

\* Collet has stepped internal diameter and cannot be used for bar feed work.

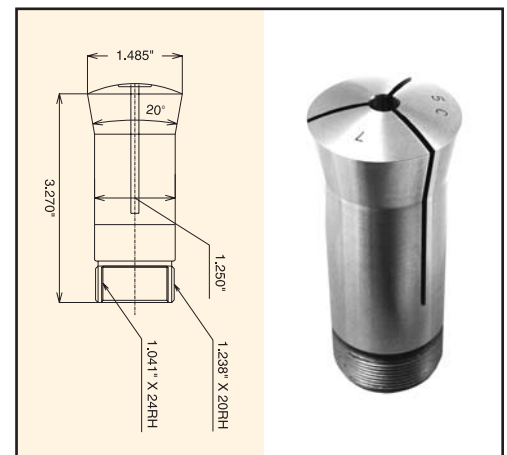
METRIC					
Part Number	Size	Part Number	Size	Part Number	Size
520-003	3mm	520-011	11mm	520-019	19mm
520-004	4mm	520-012	12mm	520-020	20mm
520-005	5mm	520-013	13mm	520-021	21mm
520-006	6mm	520-014	14mm	520-022	22mm
520-007	7mm	520-015	15mm	520-023	23mm
520-008	8mm	520-016	16mm	520-024	24mm
520-009	9mm	520-017	17mm	520-025	25mm
520-010	10mm	520-018	18mm	520-026*	26mm



### Tolerance

INCH	
Size Range	T.I.R.
3/64" - 25/64"	0.0007
13/32" - 1.1/8"	0.0011

METRIC	
Size Range	T.I.R.
3 to 10mm	0.0007
11 to 26mm	0.0011



### Accessories:



**5C Collet Stops**  
Page 131



**5C Collet Blocks**  
Page 131



**5C Collet Rack**  
Page 131



**5C Collet Wrench**  
Page 131

# 5C Collets

All 5C collets (except 5C Step Collets) have external and internal threads.

## 5C Collet Sets

Part Number	Size	Set Configuration
510-008	8 Piece 5C Collet Set	Size Range: 1/8" - 1" by 8ths
510-009	9 Piece 5C Collet Set	Size Range: 1/8" - 1-1/8" by 8ths
510-009S	9 Piece 5C Collet Set	Size Range: 1/16" + 1/8" - 1" by 8ths
510-015	15 Piece 5C Collet Set	Size Range: 1/8" - 1" by 16ths
510-016	16 Piece 5C Collet Set	Size Range: 1/8" - 1-1/16" by 16ths
510-016S	16 Piece 5C Collet Set	Size Range: 1/16" - 1" by 16ths
510-017	17 Piece 5C Collet Set	Size Range: 1/16" - 1-1/16" by 16ths
510-018	18 Piece 5C Collet Set	Size Range: 1/16" - 1-1/8" by 16ths
510-024	24 Piece 5C Collet Set, Metric	Size Range: 3.0 - 26.0mm x 1.0mm
510-029	29 Piece 5C Collet Set	Size Range: 1/8" - 1" by 32nds
510-031	31 Piece 5C Collet Set	Size Range: 1/8" - 1-1/16" by 32nds
510-031S	31 Piece 5C Collet Set	Size Range: 1/16" - 1" by 32nds
510-033	33 Piece 5C Collet Set	Size Range: 1/16" - 1-1/16" by 32nds
510-035	35 Piece 5C Collet Set	Size Range: 1/16" - 1-1/8" by 32nds
510-061	61 Piece 5C Collet Set	Size Range: 1/8" - 1-1/16" by 64ths
510-061S	61 Piece 5C Collet Set	Size Range: 1/16" - 1" by 64ths
510-065	65 Piece 5C Collet Set	Size Range: 1/8" - 1-1/8" by 64ths
510-065S	65 Piece 5C Collet Set	Size Range: 1/16" - 1-1/16" by 64ths
510-069	69 Piece 5C Collet Set	Size Range: 1/16" - 1-1/8" by 64ths
580-007	7 Piece 5C Hex Collet Set	Size Range: 1/8" - 7/8" by 8ths
580-013	13 Piece 5C Hex Collet Set	Size Range: 1/8" - 7/8" by 16ths
580-106	6 Piece 5C Square Collet Set	Size Range: 1/8" - 3/4" by 8ths
580-011	11 Piece 5C Square Collet Set	Size Range: 1/8" - 3/4" by 16ths

## 5C Square Collets

INCH	
Part Number	Size
540-008	1/8"
540-012	3/16"
540-016	1/4"
540-020	5/16"
540-024	3/8"
540-028	7/16"
540-032	1/2"
540-036	9/16"
540-040	5/8"
540-044	11/16"
540-048	3/4"



5C Square Collet

## 5C Step Collets

INCH	
Part Number	Size
550-002	2"
550-003	3"
550-004	4"
550-005	5"
550-006	6"



5C Step Collet

Steps Collets have a soft face for easy machining while the 5C collet portion is hardened. 5C collet portion has external threads only to engage into collet draw bar (no ID threads).

## Tolerance (For 5C Hex & Square)

Size Range	T.i.R.
1/8" - 3/16"	0.008
1/4" - 7/8"	0.012

## 5C Hex Collets

INCH	
Part Number	Size
530-008	1/8"
530-012	3/16"
530-016	1/4"
530-020	5/16"
530-024	3/8"
530-028	7/16"
530-032	1/2"
530-036	9/16"
530-040	5/8"
530-044	11/16"
530-048	3/4"
530-052	13/16"
530-056	7/8"



5C Hex Collet

### Accessories:



**5C Collet Stops**  
Page 131



**5C Collet Blocks**  
Page 131



**5C Collet Rack**  
Page 131



**5C Collet Wrench**  
Page 131

End Mill Holders  
ERTG/DA Collet Chucks  
Shell Mill Holders  
Drill Chucks  
Tap Holders  
Stub, Boring, Blank  
R8, 5C, 3J, 16C

## 5C Collets Accessories

### 5C Collet Stops

Part Number	Description
570-ADJ	Adjustable Threaded Collet Stop
570-UNI	Universal Collet Stop
570-USA	Non-Threading Depth Retainer Collet Stop



### 5C Collet Blocks

Part Number	Description
570-HEX	Hex Block with Tightening Ring
570-SQUARE	Square Block with Tightening Ring
570-CLOSE	Quick Closer
570-RING	Tightening Ring
570-BLOCK	Complete Set (all of the above)



### 5C Collet Rack

Part Number	Description
RACK-5C/100TG/SK25	Metal rack holds 30 pieces 5C Collets



### 5C Collet Wrench

Part Number	Description
5C-WRENCH	5C Collet Wrench

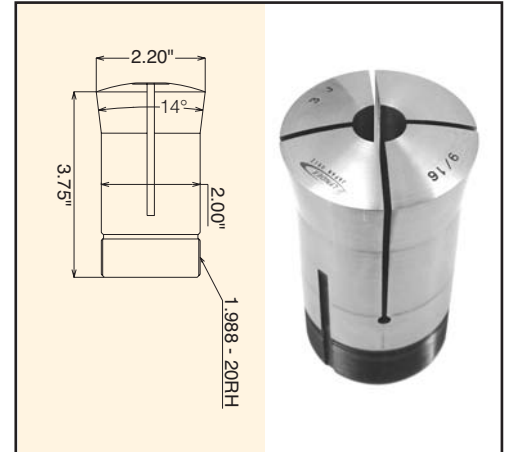


# 3J Collets

All 3J collets have external threads only.

## 3J Round Collets

INCH			
Part Number	Size	Part Number	Size
300-004	1/16"	300-042	21/32"
300-005	5/64"	300-043	43/64"
300-006	3/32"	300-044	11/16"
300-007	7/64"	300-045	45/64"
300-008	1/8"	300-046	23/32"
300-009	9/64"	300-047	47/64"
300-010	5/32"	300-048	3/4"
300-011	11/64"	300-049	49/64"
300-012	3/16"	300-050	25/32"
300-013	13/64"	300-051	51/64"
300-014	7/32"	300-052	13/16"
300-015	15/64"	300-053	53/64"
300-016	1/4"	300-054	27/32"
300-017	17/64"	300-055	55/64"
300-018	9/32"	300-056	7/8"
300-019	19/64"	300-057	57/64"
300-020	5/16"	300-058	29/32"
300-021	21/64"	300-059	59/64"
300-022	11/32"	300-060	15/16"
300-023	23/64"	300-061	61/64"
300-024	3/8"	300-062	31/32"
300-025	25/64"	300-063	63/64"
300-026	13/32"	300-064	1"
300-027	27/64"	300-068	1-1/16"
300-028	7/16"	300-072	1-1/8"
300-029	29/64"	300-076	1-3/16"
300-030	15/32"	300-080	1-1/4"
300-031	31/64"	300-084	1-5/16"
300-032	1/2"	300-088	1-3/8"
300-033	33/64"	300-092	1-7/16"
300-034	17/32"	300-096	1-1/2"
300-035	35/64"	300-100	1-9/16"
300-036	9/16"	300-104	1-5/8"
300-037	37/64"	300-108	1-11/16"
300-038	19/32"	300-112	1-3/4"
300-039	39/64"	360-001S	Steel Emergency Collet has 1/16" pilot hole and hardened threads
300-040	5/8"		
300-041	41/64"		



### Tolerance

Size Range	T.i.R.
3/64" - 25/64"	0.0007
13/32" - 1.1/8"	0.0011

## 3J Collet Set

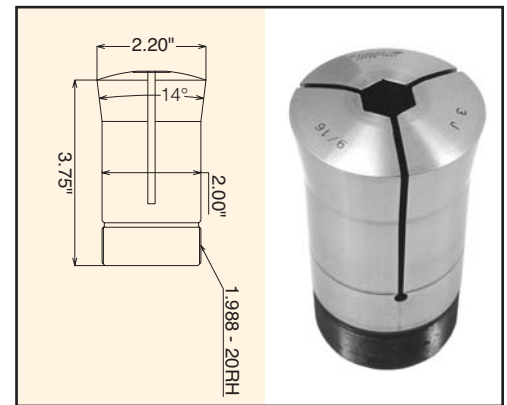
Part Number	Size	Set Configuration
300-008S	8 Piece 3J Collet Set	1/8" - 1" by 8ths
300-018S	18 Piece 3J Collet Set	1/16" - 1.1/8" by 16ths
300-029S	29 Piece 3J Collet Set	1/8" - 1" by 32nds
300-033S	33 Piece 3J Collet Set	1/16" - 1.1/16" by 32nds

End Mill Holders  
ERTG/DA Collet Chucks  
Shell Mill Holders  
Drill Chucks  
Tap Holders  
Stub, Boring, Blank  
R8, 5C, 3J, 16C

# 3J Collets

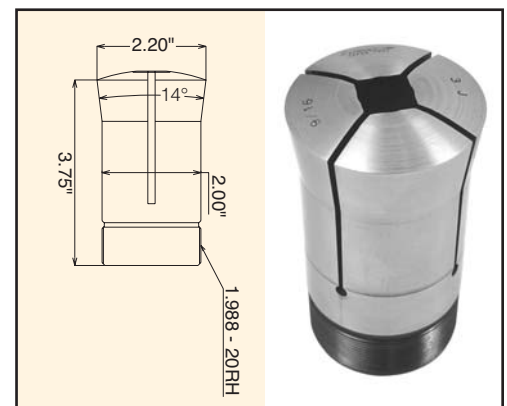
## 3J Hex Collets

INCH			
Part Number	Size	Part Number	Size
330-016	1/4"	330-060	15/16"
330-020	5/16"	330-064	1"
330-024	3/8"	330-068	1-1/16"
330-028	7/16"	330-072	1-1/8"
330-032	1/2"	330-076	1-3/16"
330-036	9/16"	330-080	1-1/4"
330-040	5/8"	330-084	1-5/16"
330-044	11/16"	330-088	1-3/8"
330-048	3/4"	330-092	1-7/16"
330-052	13/16"	330-096	1-1/2"
330-056	7/8"		



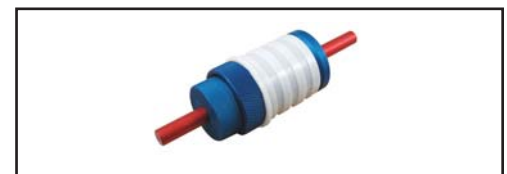
## 3J Square Collets

INCH			
Part Number	Size	Part Number	Size
340-020	1/4"	340-052	13/16"
340-020	5/16"	340-056	7/8"
340-024	3/8"	340-060	15/16"
340-028	7/16"	340-064	1"
340-032	1/2"	340-068	1-1/16"
340-036	9/16"	340-072	1-1/8"
340-040	5/8"	340-076	1-3/16"
340-044	11/16"	340-080	1-1/4"
340-048	3/4"		



## 3J Collet Stop

Part Number	Description
370-USA	Non-Threading Depth Retainer 3J Collet Stop



## 3J Collet Wrench

Part Number	Description
3J-WRENCH	Wrench for 3J round and square collets
16C-WRENCH	Wrench for 3J hex collets

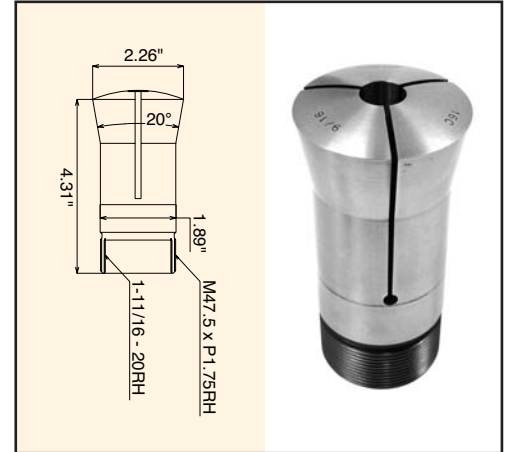


# 16C Collets

All 16C collets have external and internal threads.

## 16C Round Collets

INCH			
Part Number	Size	Part Number	Size
160-004	1/16"	160-041	41/64"
160-005	5/64"	160-042	21/32"
160-006	3/32"	160-043	43/64"
160-007	7/64"	160-044	11/16"
160-008	1/8"	160-045	45/64"
160-009	9/64"	160-046	23/32"
160-010	5/32"	160-047	47/64"
160-011	11/64"	160-048	3/4"
160-012	3/16"	160-049	49/64"
160-013	13/64"	160-050	25/32"
160-014	7/32"	160-051	51/64"
160-015	15/64"	160-052	13/16"
160-016	1/4"	160-053	53/64"
160-017	17/64"	160-054	27/32"
160-018	9/32"	160-055	55/64"
160-019	19/64"	160-056	7/8"
160-020	5/16"	160-057	57/64"
160-021	21/64"	160-058	29/32"
160-022	11/32"	160-059	59/64"
160-023	23/64"	160-060	15/16"
160-024	3/8"	160-061	61/64"
160-025	25/64"	160-062	31/32"
160-026	13/32"	160-063	63/64"
160-027	27/64"	160-064	1"
160-028	7/16"	160-068	1-1/16"
160-029	29/64"	160-072	1-1/8"
160-030	15/32"	160-076	1-3/16"
160-031	31/64"	160-080	1-1/4"
160-032	1/2"	160-084	1-5/16"
160-033	33/64"	160-088	1-3/8"
160-034	17/32"	160-092	1-7/16"
160-035	35/64"	160-096	1-1/2"
160-036	9/16"	160-100	1-9/16"
160-037	37/64"	160-104	1-5/8"
160-038	19/32"	166-001S	Steel Emergency Collet has 1/16" pilot hole and hardened threads.
160-039	39/64"		
160-040	5/8"		



## Tolerance

Size Range	T.i.R.
3/64" - 25/64"	0.0007
13/32" - 1.1/8"	0.0011

## 16C Collet Set

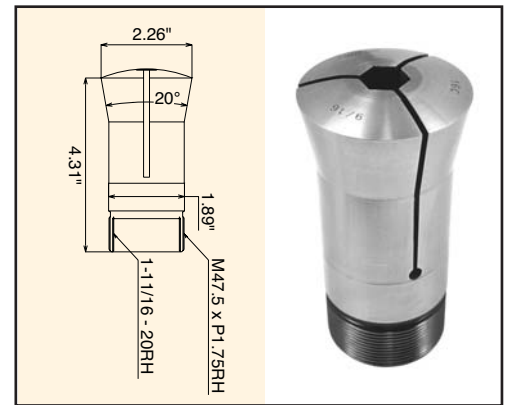
Part Number	Size	Set Configuration
160-008S	8 Piece 16C Collet set	1/8" - 1" by 8ths
160-018S	18 Piece 16C Collet se	1/16" - 1.1/16" by 16ths
160-029S	29 Piece 16C Collet sett	1/8" - 1" by 32nds



# 16C Collets

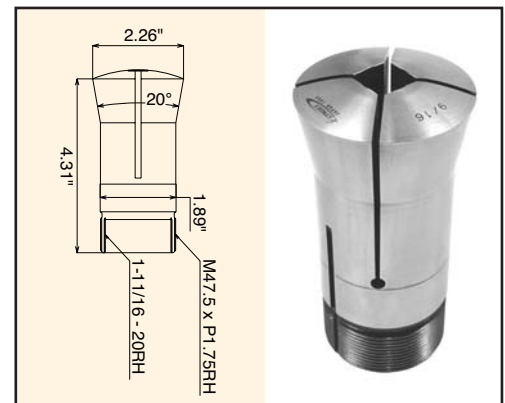
## 16C Hex Collets

INCH			
Part Number	Size	Part Number	Size
163-008	1/8"	163-052	13/16"
163-012	3/16"	163-056	7/8"
163-016	1/4"	163-060	15/16"
163-020	5/16"	163-064	1"
163-024	3/8"	163-068	1-1/16"
163-028	7/16"	163-072	1-1/8"
163-032	1/2"	163-076	1-3/16"
163-036	9/16"	163-080	1-1/4"
163-040	5/8"	163-084	1-5/16"
163-044	11/16"	163-088	1-3/8"
163-048	3/4"		



## 16C Square Collets

INCHES			
Part Number	Size	Part Number	Size
164-008	1/8"	164-044	11/16"
164-012	3/16"	164-048	3/4"
164-016	1/4"	164-052	13/16"
164-020	5/16"	164-056	7/8"
164-024	3/8"	164-060	15/16"
164-028	7/16"	164-064	1"
164-032	1/2"	164-068	1-1/16"
164-036	9/16"	164-072	1-1/8"
164-040	5/8"	164-076	1-3/16"



## 16C Collet Stop

Part Number	Description
160-USA	Non-Threading Depth Retainer 16C Collet Stop



## 16C Collet Wrench

Part Number	Description
16C-WRENCH	Wrench for 16C round and hex collets
3J-WRENCH	Wrench for 16C square collets

