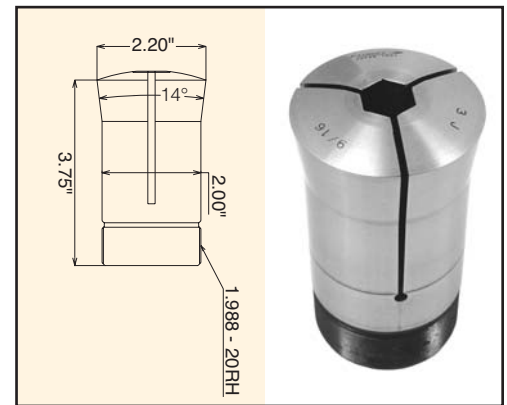


3J Collets

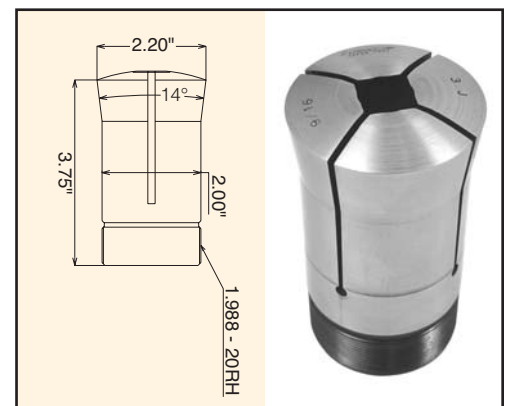
3J Hex Collets

INCH			
Part Number	Size	Part Number	Size
330-016	1/4"	330-060	15/16"
330-020	5/16"	330-064	1"
330-024	3/8"	330-068	1-1/16"
330-028	7/16"	330-072	1-1/8"
330-032	1/2"	330-076	1-3/16"
330-036	9/16"	330-080	1-1/4"
330-040	5/8"	330-084	1-5/16"
330-044	11/16"	330-088	1-3/8"
330-048	3/4"	330-092	1-7/16"
330-052	13/16"	330-096	1-1/2"
330-056	7/8"		



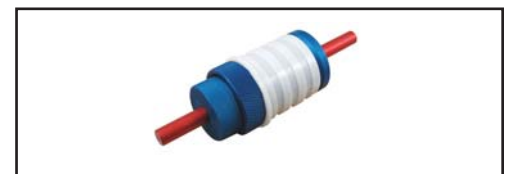
3J Square Collets

INCH			
Part Number	Size	Part Number	Size
340-020	1/4"	340-052	13/16"
340-020	5/16"	340-056	7/8"
340-024	3/8"	340-060	15/16"
340-028	7/16"	340-064	1"
340-032	1/2"	340-068	1-1/16"
340-036	9/16"	340-072	1-1/8"
340-040	5/8"	340-076	1-3/16"
340-044	11/16"	340-080	1-1/4"
340-048	3/4"		



3J Collet Stop

Part Number	Description
370-USA	Non-Threading Depth Retainer 3J Collet Stop



3J Collet Wrench

Part Number	Description
3J-WRENCH	Wrench for 3J round and square collets
16C-WRENCH	Wrench for 3J hex collets

