

# R8 Collets

All R8 collets are made with hardened threaded bushing in the back for long life. R8 Collets do not collapse.

INCH					
Part Number	Size	Part Number	Size	Part Number	Size
800-004	1/16"	800-026	13/32"	800-048	3/4"
800-006	3/32"	800-028	7/16"	800-050	25/32"
800-008	1/8"	800-030	15/32"	800-052	13/16"
800-010	5/32"	800-032	1/2"	800-054	27/32"
800-012	3/16"	800-034	17/32"	800-056	7/8"
800-014	7/32"	800-036	9/16"	800-064*	1"
800-016	1/4"	800-038	19/32"	860-001S	R8 Steel Emergency Collet: 1/16" pilot hole
800-018	9/32"	800-040	5/8"		
800-020	5/16"	800-042	21/32"		
800-022	11/32"	800-044	11/16"		
800-024	3/8"	800-046	23/32"		

\* Cannot be used with notches, flats, weldon shank. We recommend using End Mill Holders.

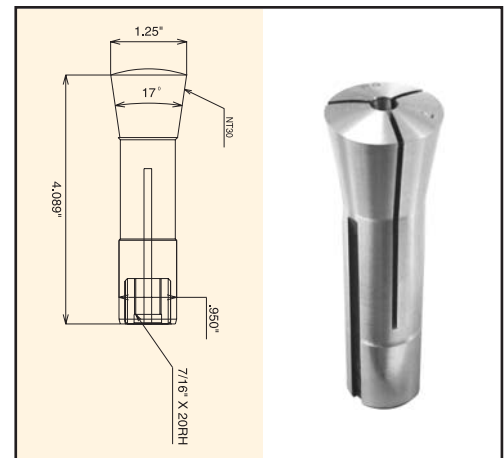
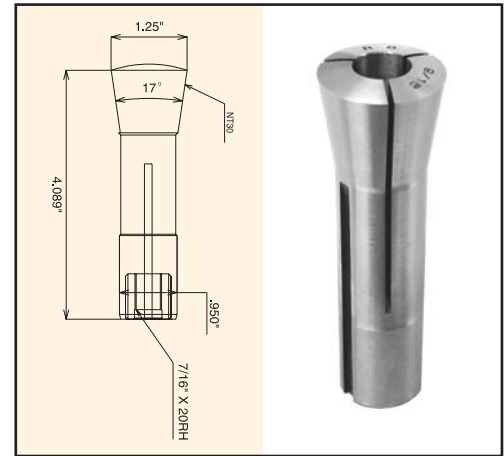
METRIC					
Part Number	Size	Part Number	Size	Part Number	Size
820-003	3mm	820-009	9mm	820-015	15mm
820-004	4mm	820-010	10mm	820-016	16mm
820-005	5mm	820-011	11mm	820-017	17mm
820-006	6mm	820-012	12mm	820-018	18mm
820-007	7mm	820-013	13mm	820-019	19mm
820-008	8mm	820-014	14mm	820-020	20mm

## R8 Collet Sets

Part Number	Description	Set Configuration
810-006	6 Piece R8 Collet Set	Size Range: 1/8" - 3/4" by 8ths
810-008	8 Piece R8 Collet Set	Size Range: 1/8" - 1" by 8ths
810-011	11 Piece R8 Collet Set	Size Range: 1/8" - 3/4" by 16ths
810-012	12 Piece R8 Collet Set	Size Range: 1/8" - 3/4" by 16ths + 7/8"
810-013	13 Piece R8 Collet Set	Size Range: 1/8" - 7/8" by 16ths
810-014	14 Piece R8 Collet Set	Size Range: 1/16" - 7/8" by 16ths
810-021	21 Piece R8 Collet Set	Size Range: 1/8" - 3/4" by 32nds
810-023	23 Piece R8 Collet Set	Size Range: 1/16" - 3/4" by 32nds
810-025	25 Piece R8 Collet Set	Size Range: 1/8" - 7/8" by 32nds
810-027	27 Piece R8 Collet Set	Size Range: 1/16" - 7/8" by 32nds
820-018S	18 Piece R8 Metric Collet Set	Size Range: 3 - 20mm by 1mm

## R8 Collet Rack

Part Number	Description
RACK-R8	Metal Rack, holds 24 piece R8 Collets or R8 chucks



## Tolerance

INCH	
Size Range	T.i.R.
1/16" - 3/8"	0.0007
3/32" - 1"	0.0011

METRIC	
Size Range	T.i.R.
3 to 10mm	0.0007
11 to 20mm	0.0011



End Mill Holders

ERTG/DA Collet Chucks

Shell Mill Holders

Drill Chucks

Tap Holders

Stub, Boring, Blank

R8, 5C, 3J, 16C