





BT ER Collet Chucks



- Ball bearing nut with ground collet race
- Ground surface for perpendicular contact between retention knob and holder
- AT3 or better taper
- Equipped with a left-hand-threaded stop screw
- Available in high-speed balanceable versions

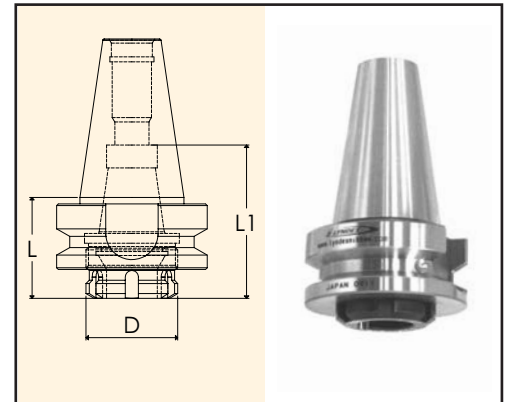
Please note that the maximum RPM listed in our catalog may vary depending on the toolholder shank, weight, balanceability and the G rating.

-  **TIR:** < .0001 at collet face
-  **Speed:** up to 23,000 rpm
-  **Set-up:** quick and easy
-  **Coolant-thru:** thru-tool coolant

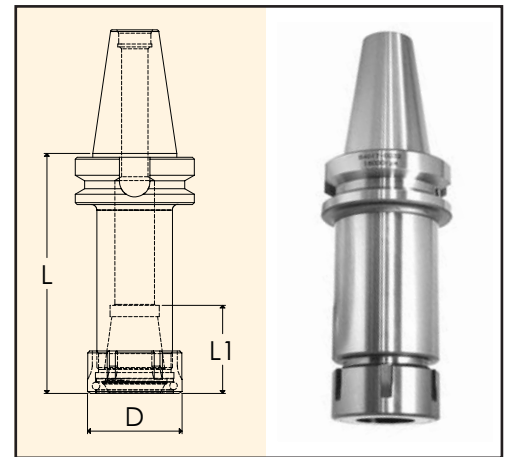
-  **Drilling**
★★★★☆
-  **Milling**
★★★★☆
-  **Reaming**
★★★★☆
-  **Tapping**
★★★★☆

BT30

Part Number	Style	Collet Size 	Collet Range	Nut Wrench 	L	L1	D
B3007-0008-2.00	Standard	ER8	.019-.196"	08-NASPAN	2.00"	0.51"	0.47"
B3017-0008-4.00	Standard	ER8	.019-.196"	08-NASPAN	4.00"	0.51"	0.47"
B3007-0011-2.00	Standard	ER11	.019-.275"	011-HEX	2.00"	0.65"	0.75"
B3017-0011-4.00	Standard	ER11	.019-.275"	011-HEX	4.00"	0.65"	0.75"
B3007-0016-2.36	Standard	ER16	.019-.406"	016-SPAN	2.36"	0.87"	1.26"
B3017-0016-4.00	Standard	ER16	.019-.406"	016-SPAN	4.00"	0.87"	1.26"
B3027-0016-5.00	Standard	ER16	.019-.406"	016-SPAN	5.00"	0.87"	1.26"
B3037-0016-6.00	Standard	ER16	.019-.406"	016-SPAN	6.00"	0.87"	1.26"
B30S7-0020-1.20	Stubby	ER20	.039-.511"	020-SPAN	1.22"	1.57"	1.10"
B3007-0020-2.50	Standard	ER20	.039-.511"	020-SPAN	2.50"	1.06"	1.38"
B3017-0020-4.00	Standard	ER20	.039-.511"	020-SPAN	4.00"	1.06"	1.38"
B3007-0025-2.00	Standard	ER25	.039-.629"	025-SPAN	2.00"	1.18"	1.65"
B3017-0025-4.00	Standard	ER25	.039-.629"	025-SPAN	4.00"	1.18"	1.65"
B3007-0032-3.00	Standard	ER32	.078-.787"	032-SPAN	3.00"	1.34"	1.97"
B3017-0032-5.00	Standard	ER32	.078-.787"	032-SPAN	5.00"	1.34"	1.97"





Stubby




Standard

BT40

Part Number	Style	Collet Size 	Collet Range	Nut Wrench 	L	L1	D
B4007-0008-2.50	Standard	ER8	.019-.196"	08-NASPAN	2.50"	0.51"	0.47"
B4017-0008-4.00	Standard	ER8	.019-.196"	08-NASPAN	4.00"	0.51"	0.47"
B4007-0011-2.50	Standard	ER11	.019-.275"	011-HEX	2.50"	0.65"	0.75"
B4017-0011-4.00	Standard	ER11	.019-.275"	011-HEX	4.00"	0.65"	0.75"
B4027-0011-6.00	Standard	ER11	.019-.275"	011-HEX	6.00"	0.65"	0.75"
B40S7-0016-2.50	Stubby	ER16	.019-.406"	016-SPAN	2.50"	-	-
B4007-0016-3.50	Standard	ER16	.019-.406"	016-SPAN	3.50"	0.87"	1.26"
B4017-0016-5.00	Standard	ER16	.019-.406"	016-SPAN	5.00"	0.87"	1.26"
B4007-0020-2.50	Standard	ER20	.039-.511"	020-SPAN	2.50"	1.06"	1.38"
B4017-0020-4.00	Standard	ER20	.039-.511"	020-SPAN	4.00"	1.06"	1.38"
B4027-0020-6.00	Standard	ER20	.039-.511"	020-SPAN	6.00"	1.06"	1.38"
B4007-0025-2.25	Standard	ER25	.039-.629"	025-SPAN	2.25"	1.18"	1.65"
B4017-0025-4.00	Standard	ER25	.039-.629"	025-SPAN	4.00"	1.18"	1.65"
B4027-0025-6.00	Standard	ER25	.039-.629"	025-SPAN	6.00"	1.18"	1.65"

Note: ER Collets Chucks come with back-up screw.

 When removing the back-up screw, ER Collet Chucks have coolant-thru capabilities. No disc, special nut or wrench required!
See ER Coolant Collets on pages 46 - 51.

Accessories:



ER Collets
Pages 46-53



ER Torque Wrench
Page 55



ER Back Up Screw
Page 55



ER Nut
Page 54