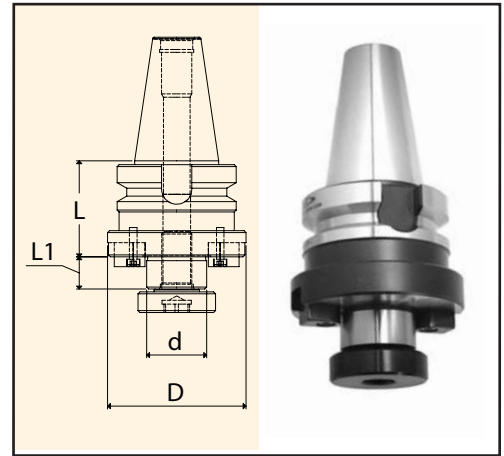


BT Shell Mill Holders

BT40 - Metric

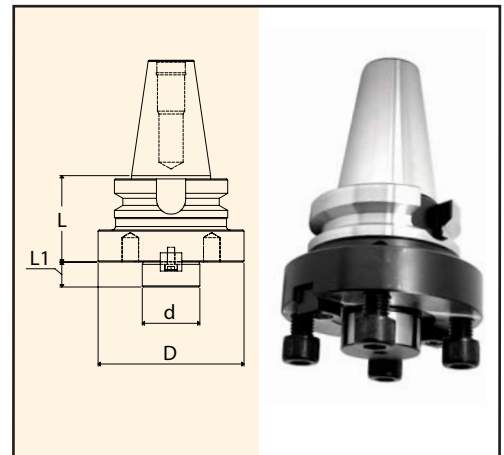
Part Number	d	L	D	L1	Key size	Arbor thread
B4001-22-50	22mm	50mm	40mm	19mm	10mm	M10
B4001-27-50	27mm	50mm	48mm	21mm	12mm	M12
B4001-32-50	32mm	50mm	58mm	24mm	14mm	M16
B4001-40-60	40mm	60mm	67mm	27mm	16mm	M20



BT50 Face Mill Holders

Part Number	d	L	D	L1	Key size
B50F1-2000-3.00	2"	3.00"	5.06"	0.86"	3/4"
B50F1-2500-3.00	2-1/2"	3.00"	5.00"	1.18"	1"

Note: Face Mill Holders are supplied with four 5/8-11 mounting bolts.
Pitch circle diameter is 4".



Accessories:



Replacement Keys
Page 83



Replacement Arbor Screws
Page 83

Note: All shell mill holders are coolant-thru. Arbor screws are not coolant-thru but can be modified to facilitate coolant capabilities: see cutter manufacturer for modification requirement.