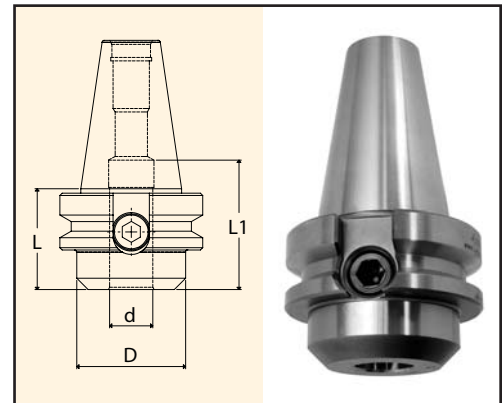


BT End Mill Holders

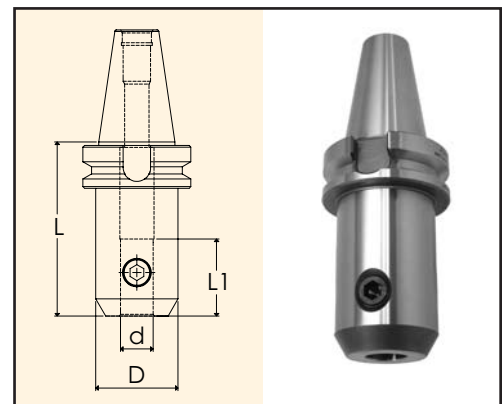
BT40 - Inch

Part Number	Style	d	L	L1	D	Set Screw Part Number
B40S6-0125-1.38	Stubby	1/8"	1.38"	0.78"	0.75"	S6-32X1/4
B4006-0125-2.36	Standard	1/8"	2.36"	0.63"	0.75"	S6-32X1/4
B4016-0125-4.00	Standard	1/8"	4.00"	0.63"	0.75"	S6-32X1/4
B40S6-0187-1.38	Stubby	3/16"	1.38"	0.98"	0.75"	S8-32X1/4
B4006-0187-2.50	Standard	3/16"	2.50"	0.86"	0.75"	S8-32X1/4
B4016-0187-4.00	Standard	3/16"	4.00"	0.86"	0.75"	S8-32X1/4
B40S6-0250-1.38	Stubby	1/4"	1.38"	1.18"	0.79"	S1/4-28X1/4
B4006-0250-2.50	Standard	1/4"	2.50"	1.10"	0.79"	S1/4-28X1/4
B4016-0250-4.00	Standard	1/4"	4.00"	1.10"	0.79"	S1/4-28X1/4
B40S6-0312-1.38	Stubby	5/16"	1.38"	1.38"	0.87"	S5/16-24X1/4
B4006-0312-2.50	Standard	5/16"	2.50"	1.26"	0.87"	S5/16-24X1/4
B4016-0312-4.00	Standard	5/16"	4.00"	1.26"	0.87"	S5/16-24X1/4
B40S6-0375-1.38	Stubby	3/8"	1.38"	1.38"	1.00"	S3/8-24x5/16
B4006-0375-2.50	Standard	3/8"	2.50"	1.26"	1.00"	S3/8-24x5/16
B4016-0375-4.00	Standard	3/8"	4.00"	1.26"	1.00"	S3/8-24x5/16
B4006-0437-2.50	Standard	7/16"	2.50"	1.53"	1.38"	S7/16-20X3/8
B40S6-0500-1.75	Stubby	1/2"	1.75"	1.57"	1.38"	S7/16-20X3/8
B4006-0500-2.50	Standard	1/2"	2.50"	1.50"	1.38"	S7/16-20X3/8
B4016-0500-4.00	Standard	1/2"	4.00"	1.57"	1.38"	S7/16-20X3/8
B40S6-0625-1.75	Stubby	5/8"	1.75"	1.61"	1.65"	S9/16-18X1/2
B4006-0625-2.50	Standard	5/8"	2.50"	1.61"	1.65"	S9/16-18X1/2
B4016-0625-4.00	Standard	5/8"	4.00"	1.61"	1.65"	S9/16-18X1/2
B40S6-0750-1.75	Stubby	3/4"	1.75"	1.77"	1.89"	S5/8-18X1/2
B4006-0750-2.50	Standard	3/4"	2.50"	1.77"	1.89"	S5/8-18X1/2
B4016-0750-4.00	Standard	3/4"	4.00"	1.77"	1.89"	S5/8-18X1/2
B4006-0875-3.38	Standard	7/8"	3.38"	2.08"	2.00"	S5/8-18X1/2(2)
B4016-0875-6.00	Standard	7/8"	6.00"	2.08"	2.00"	S5/8-18X1/2(2)
B40S6-1000-2.00	Stubby	1"	2.00"	2.28"	2.25"	S3/4-16X11/16
B4006-1000-3.56	Standard	1"	3.56"	2.36"	2.36"	S3/4-16X11/16(2)
B4016-1000-6.00	Standard	1"	6.00"	2.36"	2.36"	S3/4-16X11/16(2)
B40S6-1250-2.00	Stubby	1-1/4"	2.00"	2.16"	2.25"	S3/4-16X11/16
B4006-1250-3.56	Standard	1-1/4"	3.56"	2.56"	2.48"	S3/4-16X11/16(2)
B4016-1250-6.00	Standard	1-1/4"	6.00"	2.56"	2.48"	S3/4-16X11/16(2)
B4006-1500-4.50	Standard	1-1/2"	4.50"	2.83"	2.99"	S3/4-16X11/16(2)
B4016-1500-6.00	Standard	1-1/2"	6.00"	2.83"	2.99"	S3/4-16X11/16(2)

Set Screws are included. Back-up screws not included.



Stubby



Standard

Accessories:



Set Screws
Page 28



**Set Screws for
Aerospace Holders**
Page 28



Tool Jaw
Page 212



Pull Stud
Pages 139-140