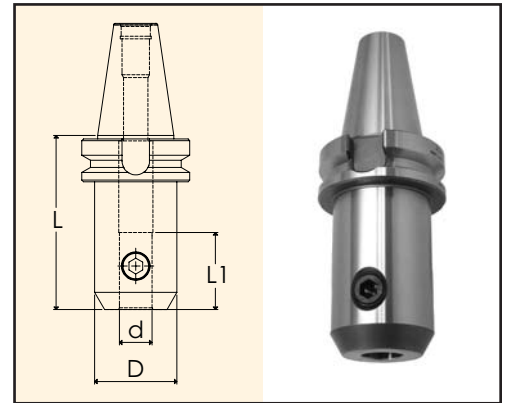


BT End Mill Holders

BT50 - Inch

Part Number	Style	d	L	L1	D	Set Screw Part Number
B5006-0250-3.00	Standard	1/4"	3.00"	1.10"	0.78"	S1/4-28X1/4
B5016-0250-6.00	Standard	1/4"	6.00"	1.10"	0.78"	S1/4-28X1/4
B5006-0375-2.75	Standard	3/8"	2.75"	1.26"	1.00"	S3/8-24X5/16
B5016-0375-6.00	Standard	3/8"	6.00"	1.26"	1.00"	S3/8-24X5/16
B5006-0500-3.00	Standard	1/2"	3.00"	1.50"	1.38"	S7/16-20X3/8
B5016-0500-6.00	Standard	1/2"	6.00"	1.50"	1.38"	S7/16-20X3/8
B5006-0625-3.00	Standard	5/8"	3.00"	1.61"	1.65"	S9/16-18X1/2
B5016-0625-6.00	Standard	5/8"	6.00"	1.61"	1.65"	S9/16-18X1/2
B5006-0750-3.00	Standard	3/4"	3.00"	1.77"	1.89"	S5/8-18X1/2
B5016-0750-6.00	Standard	3/4"	6.00"	1.77"	1.89"	S5/8-18X1/2
B5006-0875-4.00	Standard	7/8"	4.00"	2.08"	2.00"	S5/8-18X1/2 (2)
B5016-0875-6.00	Standard	7/8"	6.00"	2.08"	2.00"	S5/8-18X1/2 (2)
B5006-1000-4.00	Standard	1"	4.00"	2.36"	2.36"	S3/4-16X11/16 (2)
B5016-1000-6.00	Standard	1"	6.00"	2.36"	2.36"	S3/4-16X11/16 (2)
B5006-1250-4.00	Standard	1-1/4"	4.00"	2.56"	2.48"	S3/4-16X11/16 (2)
B5016-1250-6.00	Standard	1-1/4"	6.00"	2.56"	2.48"	S3/4-16X11/16 (2)
B5006-1500-4.50	Standard	1-1/2"	4.50"	2.83"	2.99"	S3/4-16X11/16 (2)
B5016-1500-7.00	Standard	1-1/2"	7.00"	2.83"	2.99"	S3/4-16X11/16 (2)
B5006-2000-5.00	Standard	2"	5.00"	3.34"	3.74"	S1-14X7/8 (2)
B5016-2000-8.00	Standard	2"	8.00"	3.34"	3.74"	S1-14X7/8 (2)
B5006-2500-6.00	Standard	2-1/2"	6.00"	3.66"	4.25"	S1-14X7/8 (2)

Set Screws are included. Back-up screws not included.



BT50 - Metric

Part Number	Style	d	L	L1	D	Set Screw Part Number
B5006-6-2.50	Standard	6mm	2.50"	1.10"	0.79"	S1/4-28X1/4
B5006-8-2.50	Standard	8mm	2.50"	1.25"	0.87"	S5/16-24X1/4
B5006-10-2.75	Standard	10mm	2.75"	1.25"	1.00"	S3/8-24X5/16
B5006-12-3.00	Standard	12mm	3.00"	1.50"	1.38"	S7/16-20X3/8
B5006-14-3.00	Standard	14mm	3.00"	1.61"	1.65"	S9/16-18X1/2
B5006-16-3.00	Standard	16mm	3.00"	1.61"	1.65"	S9/16-18X1/2
B5006-18-3.00	Standard	18mm	3.00"	1.77"	1.89"	S5/8-18X1/2
B5006-20-3.00	Standard	20mm	3.00"	1.77"	1.89"	S5/8-18X1/2
B5006-25-4.00	Standard	25mm	4.00"	2.36"	2.36"	S3/4-16X11/16 (2)
B5006-32-4.00	Standard	32mm	4.00"	2.55"	2.48"	S3/4-16X11/16 (2)
B5006-40-4.49	Standard	40mm	4.49"	2.83"	3.07"	S3/4-16X11/16 (2)
B5006-42-4.49	Standard	42mm	4.49"	2.83"	3.07"	S3/4-16X11/16 (2)
B5006-50-5.00	Standard	50mm	5.00"	3.34"	3.74"	S1-14X7/8 (2)

Set Screws are included. Back-up screws not included.

Accessories:



Set Screws
Page 28



Set Screws for Aerospace Holders
Page 28



Tool Jaw
Page 212



Pull Stud
Pages 139-140