

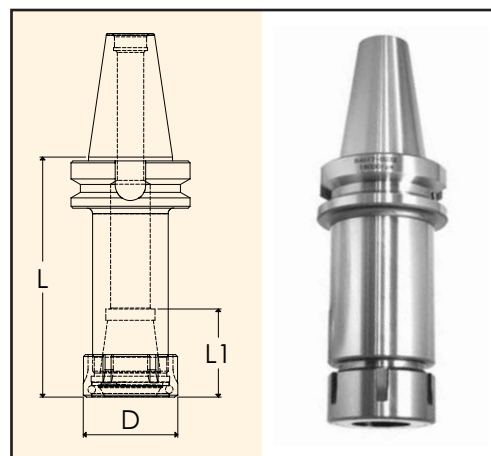


BT ER Collet Chucks



BT40

Part Number	Style	Collet Size 	Collet Range	Nut Wrench 	L	L1	D
B4027-0025-6.00	Standard	ER25	.039-.629"	025-SPAN	6.00"	1.18"	1.65"
B4007-0032-3.13	Standard	ER32	.078-.787"	032-SPAN	3.13"	1.34"	1.97"
B4017-0032-5.00	Standard	ER32	.078-.787"	032-SPAN	5.00"	1.34"	1.97"
B4007-0040-3.13	Standard	ER40	.118-1.023"	040-SPAN	3.13"	1.50"	2.50"
B4017-0040-5.00	Standard	ER40	.118-1.023"	040-SPAN	5.00"	1.50"	2.50"



Standard

BT50

Part Number	Style	Collet Size 	Collet Range	Nut Wrench 	L	L1	D
B5007-0016-4.12	Standard	ER16	.019-.406"	016-SPAN	4.12"	0.87"	1.26"
B5017-0016-6.00	Standard	ER16	.019-.406"	016-SPAN	6.00"	0.87"	1.26"
B5007-0020-2.75	Standard	ER20	.039-.511"	020-SPAN	2.75"	1.06"	1.38"
B5017-0020-4.00	Standard	ER20	.039-.511"	020-SPAN	4.00"	1.06"	1.38"
B5007-0025-2.63	Standard	ER25	.039-.629"	025-SPAN	2.63"	1.18"	1.65"
B5017-0025-4.00	Standard	ER25	.039-.629"	025-SPAN	4.00"	1.18"	1.65"
B5007-0032-4.00	Standard	ER32	.078-.787"	032-SPAN	4.00"	1.34"	2.00"
B5017-0032-6.00	Standard	ER32	.078-.787"	032-SPAN	6.00"	1.34"	2.00"
B5007-0040-4.00	Standard	ER40	.118-1.023"	040-SPAN	4.00"	1.50"	2.50"
B5017-0040-6.00	Standard	ER40	.118-1.023"	040-SPAN	6.00"	1.50"	2.50"

Note: ER Collets Chucks come with back-up screw.



When removing the back-up screw, ER Collet Chucks have coolant-thru capabilities. No disc, special nut or wrench required!
See ER Coolant Collets on pages 46 - 51.

Accessories:



ER Collets
Pages 46-53



ER Torque Wrench
Page 55



ER Back Up Screw
Page 55



ER Nut
Page 54