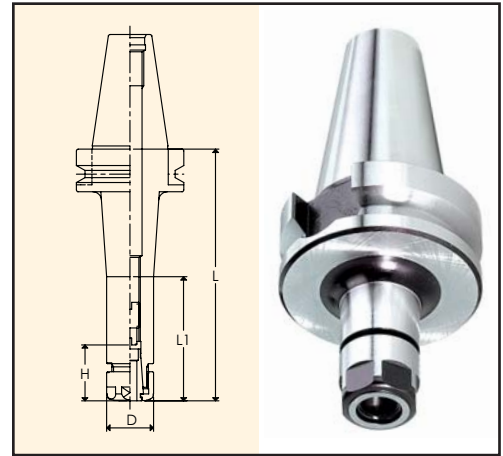


# BT SK Collet Chucks

## BT50

Part Number	Collet Size	Wrench	L	L1	H	D	Back-up Screw
BT50-SK6-105	SK6	SKL-6W	4.134"	2.165"	0.827-1.378"	0.768"	SKG-8
BT50-SK6-165	SK6	SKL-6W	6.496"	2.362"	0.827-1.378"	0.768"	SKG-8
BT50-SK6-195	SK6	SKL-6W	7.677"	2.362"	0.827-1.378"	0.768"	SKG-8
BT50-SK10-105	SK10	SKL-10	4.134"	2.244"	1.181-1.969"	1.083"	SKG-12L
BT50-SK10-165	SK10	SKL-10	6.496"	2.953"	1.181-1.969"	1.083"	SKG-12L
BT50-SK10-195	SK10	SKL-10	7.677"	2.953"	1.181-1.969"	1.083"	SKG-12L
BT50-SK16-105	SK16	9HC16	4.134"	2.441"	1.772-2.756"	1.575"	SKG-18L
BT50-SK16-165	SK16	9HC16	6.496"	3.543"	1.772-2.756"	1.575"	SKG-18L
BT50-SK16-195	SK16	9HC16	7.677"	3.543"	1.772-2.756"	1.575"	SKG-18L
BT50-SK25-105	SK25	9HC22	4.134"	2.441"	2.165-3.346"	2.165"	SKG-28
BT50-SK25-165	SK25	9HC22	6.496"	4.803"	2.165-3.346"	2.165"	SKG-28
BT50-SK25-195	SK25	9HC22	7.677"	5.984"	2.165-3.346"	2.165"	SKG-28

Note: Wrench and back-up screw not included.



### Accessories:



**SK Collets**  
Page 188



**Wrench**  
Page 193



**Back-up screw**  
Page 194



**Coolant-thru and Slotted Nuts**  
Page 192