

CAT End Mill Holders

CAT 40 - Inch (cont.)

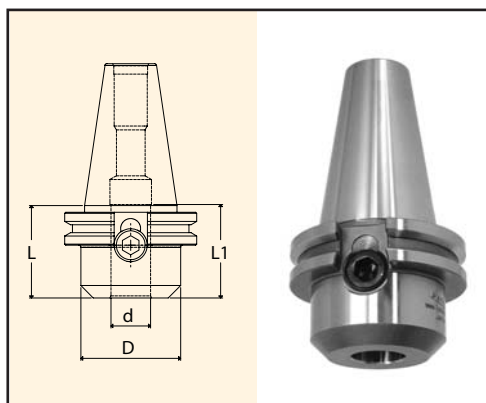
Part Number	Style	d	L	L1	L2	D	D1	Set Screw Part Number
C40S6-0875-1.75	Stubby	7/8"	1.75"	2.08"	-	1.94"	-	S5/8-18X1/2
C4006-0875-3.50	Standard	7/8"	3.50"	2.08"	-	2.00"	-	S5/8-18X1/2 (2)
C4016-0875-6.00	Standard	7/8"	6.00"	2.08"	-	2.00"	-	S5/8-18X1/2 (2)
C4046-0875-9.00	Ext. Length	7/8"	9.00"	-	-	2.00"	-	S5/8-18X1/2 (2)
C40S6-1000-2.00	Stubby	1"	2.00"	2.36"	-	2.25"	-	S3/4-16X11/16
C4006-1000-4.00	Standard	1"	4.00"	2.36"	-	2.36"	-	S3/4-16X11/16 (2)
C4016-1000-6.00	Standard	1"	6.00"	2.36"	-	2.36"	-	S3/4-16X11/16 (2)
C4046-1000-9.00	Ext. Length	1"	9.00"	-	-	2.36"	-	S3/4-16X11/16 (2)
C40S6-1250-2.00	Stubby	1-1/4"	2.00"	2.28"	-	2.25"	-	S3/4-16X7/16
C4006-1250-4.00	Standard	1-1/4"	4.00"	2.55"	-	2.48"	-	S3/4-16X11/16 (2)
C4016-1250-6.00	Standard	1-1/4"	6.00"	2.55"	-	2.48"	-	S3/4-16X11/16 (2)
C4006-1500-4.50	Standard	1-1/2"	4.50"	2.55"	-	2.99"	-	S3/4-16X11/16 (2)
C4016-1500-6.00	Standard	1-1/2"	6.00"	2.83"	-	2.99"	-	S3/4-16X11/16 (2)

Set Screws are included. Back-up screws not included.
Extended length end mill holders can be modified to DIN standard.

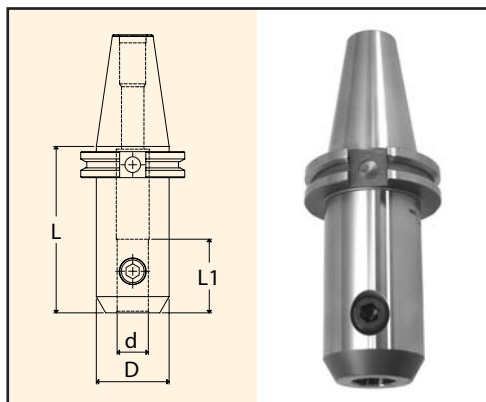
CAT 40 - Metric

Part Number	Style	d	L	L1	D	Set Screw Part Number
C4006-6-2.50	Standard	6mm	2.50"	1.10"	0.78"	S1/4-28X1/4
C4006-8-2.50	Standard	8mm	2.50"	1.25"	0.87"	S5/16-24X1/4
C4006-10-2.50	Standard	10mm	2.50"	1.25"	1.00"	S3/8-24X5/16
C4006-12-2.50	Standard	12mm	2.50"	1.50"	1.38"	S7/16-20X3/8
C4006-14-3.00	Standard	14mm	3.00"	1.61"	1.65"	S9/16-18X1/2
C4006-16-3.00	Standard	16mm	3.00"	1.61"	1.65"	S9/16-18X1/2
C4006-18-3.00	Standard	18mm	3.00"	1.77"	1.75"	S5/8-18x1/2
C4006-20-3.00	Standard	20mm	3.00"	1.77"	1.75"	S5/8-18x1/2
C4006-25-4.00	Standard	25mm	4.00"	2.36"	2.36"	S3/4-16X11/16 (2)
C4006-32-4.00	Standard	32mm	4.00"	2.36"	2.48"	S3/4-16X11/16 (2)

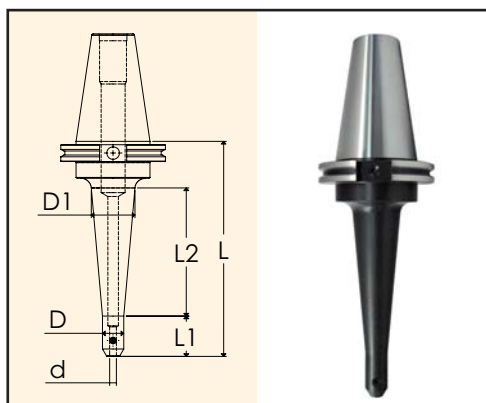
Set Screws are included. Back-up screws not included.



Stubby



Standard



Extended Length

Accessories:



Set Screws
Page 28



Set Screws for Aerospace Holders
Page 28



Tool Jaw
Page 212



Pull Stud
Pages 139-140