

CAT ER Collet Chucks

- Ball bearing nut with ground collet race
- Ground surface for perpendicular contact between retention knob and holder
- AT3 or better taper
- Equipped with a left-hand-threaded stop screw
- Available in high-speed balanceable versions

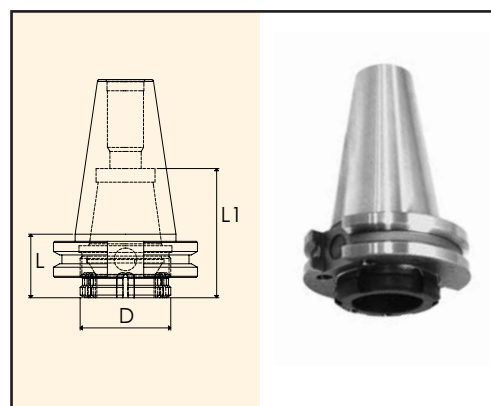
Please note that the maximum RPM listed in our catalog may vary depending on the toolholder shank, weight, balanceability and the G rating.

- TIR:** < .0001 at collet face
- Speed:** up to 23,000 rpm
- Set-up:** quick and easy
- Coolant-thru:** thru-tool coolant

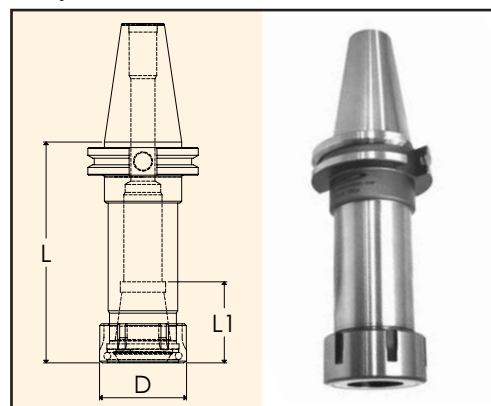
- Drilling**
★★★★☆
- Milling**
★★★★☆
- Reaming**
★★★★☆
- Tapping**
★★★☆☆

CAT40

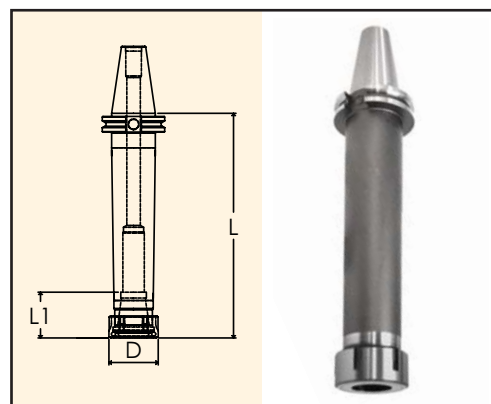
Part Number	Style	Collet Size	Collet Range	Nut Wrench	L	L1	D
C4007-0008-2.50	Standard	ER8	.019-.196"	08-NASPAN	2.50"	0.51"	0.47"
C4017-0008-4.00	Standard	ER8	.019-.196"	08-NASPAN	4.00"	0.51"	0.47"
C4047-0008-9.00	Ext. Length	ER8	.019-.196"	08-NASPAN	9.00"	0.51"	0.47"
C4007-0011-2.50	Standard	ER11	.019-.275"	011-HEX	2.50"	0.65"	0.75"
C4017-0011-4.00	Standard	ER11	.019-.275"	011-HEX	4.00"	0.65"	0.75"
C4027-0011-6.00	Standard	ER11	.019-.275"	011-HEX	6.00"	0.65"	0.75"
C40S7-0016-2.25	Stubby	ER16	.019-.406"	016-SPAN	2.25"	0.87"	1.26"
C4007-0016-3.50	Standard	ER16	.019-.406"	016-SPAN	3.50"	0.87"	1.26"
C4017-0016-6.00	Standard	ER16	.019-.406"	016-SPAN	6.00"	0.87"	1.26"
C4047-0016-9.00	Ext. Length	ER16	.019-.406"	016-SPAN	9.00"	0.87"	1.26"
C4007-0020-2.50	Standard	ER20	.039-.511"	020-SPAN	2.50"	1.06"	1.38"
C4017-0020-4.00	Standard	ER20	.039-.511"	020-SPAN	4.00"	1.06"	1.38"
C4027-0020-6.00	Standard	ER20	.039-.511"	020-SPAN	6.00"	1.06"	1.38"
C4047-0020-9.00	Ext. Length	ER20	.039-.511"	020-SPAN	9.00"	1.06"	1.38"
C4007-0025-2.50	Standard	ER25	.039-.629"	025-SPAN	2.50"	1.18"	1.65"
C4017-0025-4.00	Standard	ER25	.039-.629"	025-SPAN	4.00"	1.18"	1.65"
C4027-0025-6.00	Standard	ER25	.039-.629"	025-SPAN	6.00"	1.18"	1.65"
C40S7-0032-1.10	Stubby	ER32	.078-.787"	025-SPAN	2.25"	0.87"	1.26"
C4007-0032-3.13	Standard	ER32	.078-.787"	032-SPAN	3.13"	1.34"	1.97"
C4017-0032-5.00	Standard	ER32	.078-.787"	032-SPAN	5.00"	1.34"	1.97"
C4047-0032-9.00	Ext. Length	ER32	.078-.787"	032-SPAN	9.00"	1.34"	1.97"
C4007-0040-3.13	Standard	ER40	.118-1.023"	040-SPAN	3.13"	1.50"	2.48"
C4017-0040-5.00	Standard	ER40	.118-1.023"	040-SPAN	5.00"	1.50"	2.48"



Stubby



Standard



Extended length

Note: ER Collets Chucks come with back-up screw.



When removing the back-up screw, ER Collet Chucks have coolant-thru capabilities. No disc, special nut or wrench required!
See ER Coolant Collets on pages 46 - 51.

Accessories:



ER Collets
Pages 46-53



ER Torque Wrench
Page 55



ER Back Up Screw
Page 55



ER Nut
Page 54