

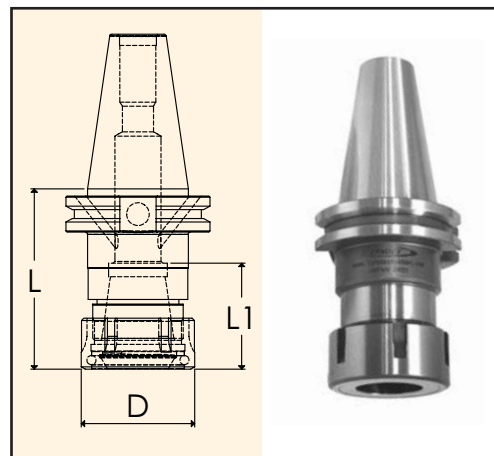


CAT ER Collet Chucks - DIN



CAT40 - DIN

Part Number	Style	Collet Size 	Collet Range	Nut Wrench 	L	L1	D
C4007-0016-3.50DIN	Standard	ER16	.019-.406"	016-SPAN	3.50"	0.87"	1.26"
C4017-0016-6.00DIN	Standard	ER16	.019-.406"	016-SPAN	6.00"	0.87"	1.26"
C4007-0020-2.50DIN	Standard	ER20	.039-.511"	020-SPAN	2.50"	1.18"	1.38"
C4017-0020-4.00DIN	Standard	ER20	.039-.511"	020-SPAN	4.00"	1.18"	1.38"
C4007-0025-2.50DIN	Standard	ER25	.039-.629"	025-SPAN	2.50"	1.18"	1.65"
C4017-0025-4.00DIN	Standard	ER25	.039-.629"	025-SPAN	4.00"	1.18"	1.65"
C4007-0032-3.13DIN	Standard	ER32	.078-.787"	032-SPAN	3.13"	1.89"	1.97"
C4017-0032-5.00DIN	Standard	ER32	.078-.787"	032-SPAN	5.00"	1.89"	1.97"
C4007-0040-3.13DIN	Standard	ER40	.118-1.023"	040-SPAN	3.13"	2.05"	2.48"
C4017-0040-5.00DIN	Standard	ER40	.118-1.023"	040-SPAN	5.00"	2.05"	2.48"



Standard

CAT50 - DIN

Part Number	Style	Collet Size 	Collet Range	Nut Wrench 	L	L1	D
C5007-0016-4.13DIN	Standard	ER16	.019-.406"	016-SPAN	4.13"	0.87"	1.26"
C5017-0016-6.00DIN	Standard	ER16	.019-.406"	016-SPAN	6.00"	0.87"	1.26"
C5027-0016-8.00DIN	Standard	ER16	.019-.406"	016-SPAN	8.00"	0.87"	1.26"
C5007-0020-2.50DIN	Standard	ER20	.039-.511"	020-SPAN	2.50"	1.06"	1.38"
C5017-0020-4.00DIN	Standard	ER20	.039-.511"	020-SPAN	4.00"	1.06"	1.38"
C5027-0020-6.00DIN	Standard	ER20	.039-.511"	020-SPAN	6.00"	1.06"	1.38"
C5007-0025-2.50DIN	Standard	ER25	.039-.629"	025-SPAN	2.50"	1.18"	1.65"
C5017-0025-4.00DIN	Standard	ER25	.039-.629"	025-SPAN	4.00"	1.18"	1.65"
C5027-0025-6.00DIN	Standard	ER25	.039-.629"	025-SPAN	6.00"	1.18"	1.65"
C5007-0032-4.00DIN	Standard	ER32	.078-.787"	032-SPAN	4.00"	2.09"	1.97"
C5017-0032-6.00DIN	Standard	ER32	.078-.787"	032-SPAN	6.00"	2.09"	1.97"
C5027-0032-8.00DIN	Standard	ER32	.078-.787"	032-SPAN	8.00"	2.09"	1.97"
C5007-0040-4.00DIN	Standard	ER40	.118-1.023"	040-SPAN	4.00"	2.13"	2.48"
C5017-0040-6.00DIN	Standard	ER40	.118-1.023"	040-SPAN	6.00"	2.13"	2.48"
C5027-0040-8.00DIN	Standard	ER40	.118-1.023"	040-SPAN	8.00"	2.13"	2.48"

Note: ER Collets Chucks come with back-up screw.
DIN designates suitability for coolant-through the flange per DIN 69871 form B specs.



When removing the back-up screw, ER Collet Chucks have coolant-thru capabilities. No disc, special nut or wrench required!
See ER Coolant Collets on pages 46 - 51.

Accessories:



ER Collets
Pages 46-53



ER Torque Wrench
Page 55



ER Back Up Screw
Page 55



ER Nut
Page 54