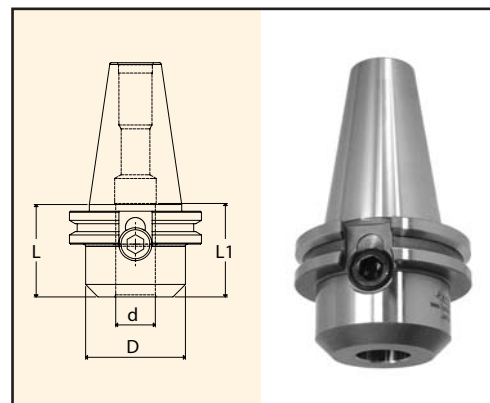


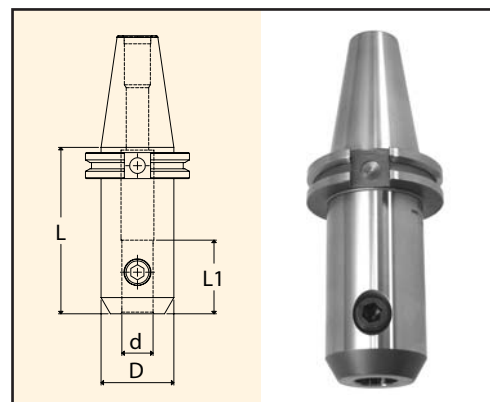
CAT End Mill Holders

CAT 50 -Inch

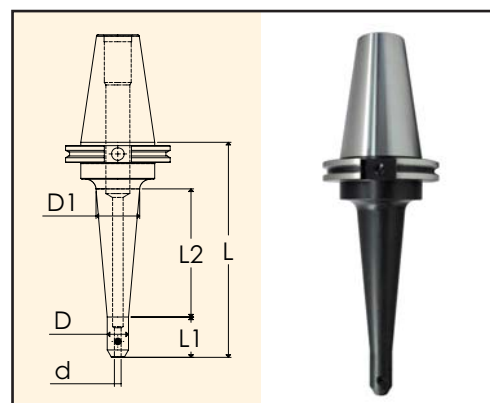
Part Number	Style	d	L	L1	L2	D	D1	Set Screw Part Number
C50S6-0250-1.38	Stubby	1/4"	1.38"	1.10"	-	0.79"	-	S1/4-28X1/4
C5006-0250-2.50	Standard	1/4"	2.50"	1.10"	-	0.79"	-	S1/4-28X1/4
C5016-0250-4.00	Standard	1/4"	4.00"	1.10"	-	0.79"	-	S1/4-28X1/4
C5026-0250-6.00	Standard	1/4"	6.00"	1.10"	-	0.79"	-	S1/4-28X1/4
C5036-0250-8.00	Ext. Length	1/4"	8.00"	1.5"	4.76"	0.79"	1.62"	S1/4-28X1/4
C5006-0312-2.50	Standard	5/16"	2.50"	1.26"	-	0.87"	-	S5/16-24X1/4
C5016-0312-4.00	Standard	5/16"	4.00"	1.26"	-	0.87"	-	S5/16-24X1/4
C5026-0312-6.00	Standard	5/16"	6.00"	1.26"	-	0.87"	-	S5/16-24X1/4
C50S6-0375-1.38	Stubby	3/8"	1.38"	1.26"	-	1.00"	-	S3/8-24X5/16
C5006-0375-2.50	Standard	3/8"	2.50"	1.26"	-	1.00"	-	S3/8-24X5/16
C5016-0375-4.00	Standard	3/8"	4.00"	1.26"	-	1.00"	-	S3/8-24X5/16
C5026-0375-6.00	Standard	3/8"	6.00"	1.26"	-	1.00"	-	S3/8-24X5/16
C5036-0375-8.00	Ext. Length	3/8"	8.00"	1.5"	5.12"	1.00"	2.75"	S3/8-24X5/16
C5066-0375-15.00	Ext. Length	3/8"	15.00"	1.25"	12.12"	1.00"	2.75"	S3/8-24X5/16
C5006-0437-2.50	Standard	7/16"	2.50"	1.50"	-	1.38"	-	S7/16-20X3/8
C5016-0437-4.00	Standard	7/16"	4.00"	1.50"	-	1.38"	-	S7/16-20X3/8
C5026-0437-6.00	Standard	7/16"	6.00"	1.53"	-	1.38"	-	S7/16-20X3/8
C5036-0437-8.00	Ext. Length	7/16"	8.00"	1.5"	5.12"	1.38"	2.75"	S7/16-20X3/8
C50S6-0500-1.75	Stubby	1/2"	1.75"	1.50"	-	1.38"	-	S7/16-20X3/8
C5006-0500-2.63	Standard	1/2"	2.63"	1.50"	-	1.38"	-	S7/16-20X3/8
C5016-0500-4.00	Standard	1/2"	4.00"	1.50"	-	1.38"	-	S7/16-20X3/8
C5026-0500-6.00	Standard	1/2"	6.00"	1.50"	-	1.38"	-	S7/16-20X3/8
C5036-0500-8.00	Ext. Length	1/2"	8.00"	1.5"	5.12"	1.38"	2.75"	S7/16-20X3/8
C5066-0500-15.00	Ext. Length	1/2"	15.00"	1.5"	12.12"	1.38"	2.75"	S7/16-20X3/8
C50S6-0625-1.75	Stubby	5/8"	1.75"	1.61"	-	1.65"	-	S9/16-18X1/2
C5006-0625-3.00	Standard	5/8"	3.00"	1.61"	-	1.65"	-	S9/16-18X1/2
C5016-0625-4.00	Standard	5/8"	4.00"	1.61"	-	1.65"	-	S9/16-18X1/2
C5026-0625-6.00	Standard	5/8"	6.00"	1.61"	-	1.65"	-	S9/16-18X1/2
C5036-0625-8.00	Ext. Length	5/8"	8.00"	1.5"	5.12"	1.65"	2.75"	S9/16-18X1/2
C5066-0625-15.00	Ext. Length	5/8"	15.00"	1.5"	12.12"	1.65"	2.75"	S9/16-18X1/2
C50S6-0750-1.75	Stubby	3/4"	1.75"	1.77"	-	1.89"	-	S5/8-18X1/2
C5006-0750-3.00	Standard	3/4"	3.00"	1.77"	-	1.89"	-	S5/8-18X1/2
C5016-0750-4.00	Standard	3/4"	4.00"	1.77"	-	1.89"	-	S5/8-18X1/2
C5026-0750-6.00	Standard	3/4"	6.00"	1.77"	-	1.89"	-	S5/8-18X1/2
C5036-0750-8.00	Ext. Length	3/4"	8.00"	1.5"	5.12"	1.89"	2.75"	S5/8-18X1/2
C5066-0750-15.00	Ext. Length	3/4"	15.00"	1.76"	11.86"	1.89"	2.75"	S5/8-18X1/2
C50S6-0875-1.75	Stubby	7/8"	1.75"	2.08"	-	2.00"	-	S5/8-18X1/2 (2)
C5006-0875-3.75	Standard	7/8"	3.75"	2.08"	-	2.00"	-	S5/8-18X1/2 (2)
C5016-0875-6.00	Standard	7/8"	6.00"	2.08"	-	2.00"	-	S5/8-18X1/2 (2)
C5066-0875-15.00	Ext. Length	7/8"	15.00"	2.76"	10.87"	2.00"	2.75"	S5/8-18X1/2 (2)
C50S6-1000-2.00	Stubby	1"	2.00"	2.36"	-	2.36"	-	S3/4-16X11/16
C5006-1000-4.00	Standard	1"	4.00"	2.36"	-	2.36"	-	S3/4-16X11/16 (2)
C5016-1000-6.00	Standard	1"	6.00"	2.36"	-	2.36"	-	S3/4-16X11/16 (2)
C5026-1000-8.00	Ext. Length	1"	8.00"	2.76"	3.87"	2.36"	2.75"	S3/4-16X11/16 (2)
C5066-1000-15.00	Ext. Length	1"	15.00"	2.76"	10.87"	2.36"	2.75"	S3/4-16X11/16 (2)



Stubby



Standard



Extended Length

Accessories:



Set Screws
Page 28



Set Screws for Aerospace Holders
Page 28



Tool Jaw
Page 212



Pull Stud
Pages 139-140