



# CAT ER Collet Chucks

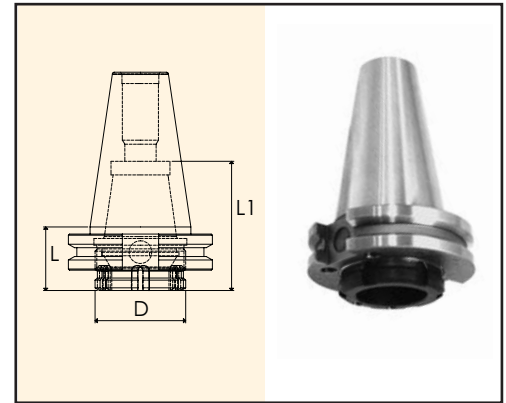
## CAT50

Part Number	Style	Collet Size 	Collet Range	Nut Wrench 	L	L1	D
C5007-0016-4.12	Standard	ER16	.019-.406"	016-SPAN	4.12"	0.87"	1.26"
C5017-0016-6.00	Standard	ER16	.019-.406"	016-SPAN	6.00"	0.87"	1.26"
C5027-0016-8.00	Standard	ER16	.019-.406"	016-SPAN	8.00"	0.87"	1.26"
C5057-0016-12.00	<b>Ext. Length</b>	ER16	.019-.406"	016-SPAN	12.00"	0.87"	1.26"
C5007-0020-2.50	Standard	ER20	.039-.511"	020-SPAN	2.50"	1.06"	1.38"
C5017-0020-4.00	Standard	ER20	.039-.511"	020-SPAN	4.00"	1.06"	1.38"
C5027-0020-6.00	Standard	ER20	.039-.511"	020-SPAN	6.00"	1.06"	1.38"
C5037-0020-8.00	Standard	ER20	.039-.511"	020-SPAN	8.00"	1.06"	1.38"
C5057-0020-12.00	<b>Ext. Length</b>	ER20	.039-.511"	020-SPAN	12.00"	1.06"	1.38"
C5007-0025-2.50	Standard	ER25	.039-.629"	025-SPAN	2.50"	1.18"	1.65"
C5017-0025-4.00	Standard	ER25	.039-.629"	025-SPAN	4.00"	1.18"	1.65"
C5027-0025-6.00	Standard	ER25	.039-.629"	025-SPAN	6.00"	1.18"	1.65"
C5037-0025-8.00	Standard	ER25	.039-.629"	025-SPAN	8.00"	1.18"	1.65"
C5007-0032-4.00	Standard	ER32	.078-.787"	032-SPAN	4.00"	1.34"	1.97"
C5017-0032-6.00	Standard	ER32	.078-.787"	032-SPAN	6.00"	1.34"	1.97"
C5027-0032-8.00	Standard	ER32	.078-.787"	032-SPAN	8.00"	1.34"	1.97"
C5057-0032-12.00	<b>Ext. Length</b>	ER32	.078-.787"	032-SPAN	12.00"	1.34"	1.97"
C50S7-0040-1.10	<b>Stubby</b>	ER40	.118-1.023"	040-SPAN	1.10"	1.10"	1.96"
C5007-0040-4.00	Standard	ER40	.118-1.023"	040-SPAN	4.00"	1.50"	2.48"
C5017-0040-6.00	Standard	ER40	.118-1.023"	040-SPAN	6.00"	1.50"	2.48"
C5027-0040-8.00	Standard	ER40	.118-1.023"	040-SPAN	8.00"	1.50"	2.48"
C5057-0040-12.00	<b>Ext. Length</b>	ER40	.118-1.023"	040-SPAN	12.00"	1.50"	2.48"

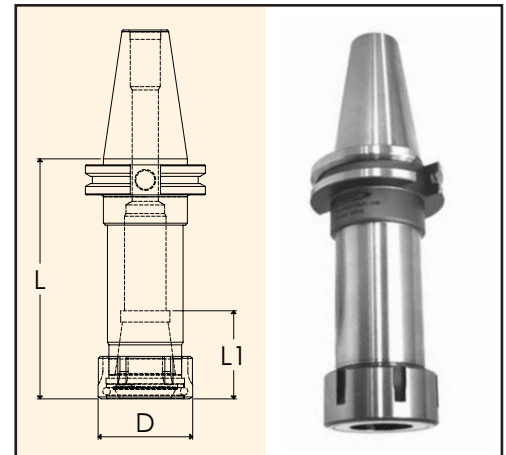
Note: ER Collets Chucks come with back-up screw.



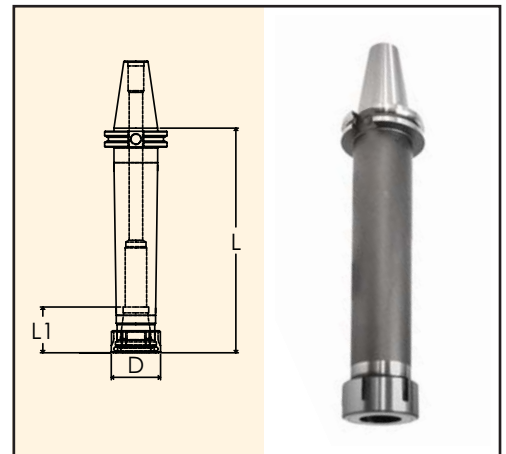
When removing the back-up screw, ER Collet Chucks have coolant-thru capabilities. No disc, special nut or wrench required!  
See ER Coolant Collets on pages 46 - 51.



Stubby



Standard



Extended length

**Accessories:**



ER Collets  
Pages 46-53



ER Torque Wrench  
Page 55



ER Back Up Screw  
Page 55



ER Nut  
Page 54