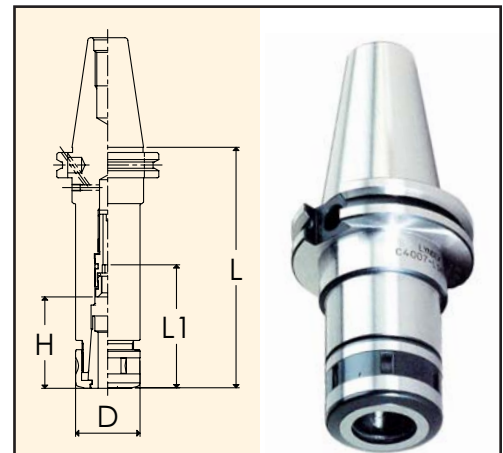


CAT SK Collet Chucks

CAT40 - DIN

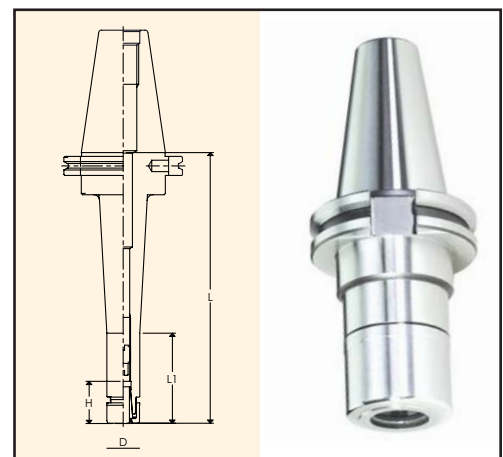
Part Number	Collet Size	Wrench	L	L1	H	D	Back-up Screw
CAT40-SK6F-90U	SK6	SKL-6W	3.543"	1.969"	0.827-1.378"	0.768"	SKG6-6HG
CAT40-SK6F-120U	SK6	SKL-6W	4.724"	2.441"	0.827-1.378"	0.768"	SKG6-6HG
CAT40-SK6F-150U	SK6	SKL-6W	5.906"	2.362"	0.827-1.378"	0.768"	SKG6-6HG
CAT40-SK10F-90U	SK10	SKL-10	3.543"	1.969"	1.181-1.969"	1.083"	SKG10-10HG
CAT40-SK10F-120U	SK10	SKL-10	4.724"	2.756"	1.181-1.969"	1.083"	SKG10-10HG
CAT40-SK10F-150U	SK10	SKL-10	5.906"	2.874"	1.181-1.969"	1.083"	SKG10-10HG
CAT40-SK16F-60U	SK16	9HC16	2.362"	1.181"	1.772-2.756"	1.575"	N/A
CAT40-SK16F-90U	SK16	9HC16	3.543"	1.969"	1.772-2.756"	1.575"	SKG16-12HG
CAT40-SK16F-120U	SK16	9HC16	4.724"	3.150"	1.772-2.756"	1.575"	SKG16-12HG
CAT40-SK16F-150U	SK16	9HC16	5.906"	4.331"	1.772-2.756"	1.575"	SKG16-12HG
CAT40-SK25F-90U	SK25	9HC22	3.543"	2.165"	2.165-2.756"	2.165"	SKG25-18HGE
CAT40-SK25F-120U	SK25	9HC22	4.724"	3.346"	2.165-3.346"	2.165"	SKG25-18HGE



CAT40 - DIN Note: Wrench and back-up screw not included. No back adjustment screw.

CAT40 High-Speed

Part Number	Collet	Wrench	L	L1	H	D	Back-up Screw
CAT40-SK6-90UP	SK6	GH6	3.543"	2.165"	0.827"-1.378"	0.768"	SKG-8
CAT40-SK6-120UP	SK6	GH6	4.724"	2.637"	0.827"-1.378"	0.768"	SKG-8
CAT40-SK6-150UP	SK6	GH6	5.906"	4.528"	0.827"-1.378"	0.768"	SKG-8
CAT40-SK10-90UP	SK10	GH10	3.543"	2.165"	1.181"-1.969"	1.083"	SKG-12L
CAT40-SK10-120UP	SK10	GH10	4.724"	3.346"	1.181"-1.969"	1.083"	SKG-12L
CAT40-SK10-150UP	SK10	GH10	5.906"	4.528"	1.181"-1.969"	1.083"	SKG-12L
CAT40-SK16-60UP	SK16	GH16	2.362"	1.181"	1.574"-2.756"	1.575"	N/A
CAT40-SK16-90UP	SK16	GH16	3.543"	2.165"	1.574"-2.756"	1.575"	SKG-18L
CAT40-SK16-120UP	SK16	GH16	4.724"	3.346"	1.574"-2.756"	1.575"	SKG-18L
CAT40-SK16-150UP	SK16	GH16	5.906"	4.528"	1.574"-2.756"	1.575"	SKG-18L
CAT40-SK25-90UP	SK25	GH25	3.543"	2.165"	2.165"-2.952"	2.165"	SKG-28
CAT40-SK25-120UP	SK25	GH25	4.724"	3.346"	2.165"-2.952"	2.165"	SKG-28



CAT40 - High-Speed Note: No back adjustment screw. DIN type high-speed toolholders available. Please contact us for more information.

CAT50 High-Speed

Part Number	Collet Size	Wrench	L	L1	H	D	Back-up Screw
CAT50-SK6-105UP	SK6	GH6	4.134"	2.756"	0.827"-1.378"	0.768"	SKG-8
CAT50-SK6-165UP	SK6	GH6	6.496"	5.118"	0.827"-1.378"	0.768"	SKG-8
CAT50-SK10-105UP	SK10	GH10	4.134"	2.756"	1.181"-1.969"	1.083"	SKG-12L
CAT50-SK10-165UP	SK10	GH10	6.496"	5.118"	1.181"-1.969"	1.083"	SKG-12L
CAT50-SK10-195UP	SK10	GH10	7.677"	6.299"	1.181"-1.969"	1.083"	SKG-12L
CAT50-SK16-105UP	SK16	GH16	4.134"	2.756"	1.574"-2.756"	1.575"	SKG-18L
CAT50-SK16-165UP	SK16	GH16	6.496"	5.118"	1.574"-2.756"	1.575"	SKG-18L
CAT50-SK16-195UP	SK16	GH16	7.677"	6.299"	1.574"-2.756"	1.575"	SKG-18L
CAT50-SK25-105UP	SK25	GH25	4.134"	2.756"	2.165"-2.952"	2.165"	SKG-28
CAT50-SK25-165UP	SK25	GH25	6.496"	5.118"	2.165"-2.952"	2.165"	SKG-28
CAT50-SK25-195UP	SK25	GH25	7.677"	6.299"	2.165"-2.952"	2.165"	SKG-28

CAT50 - High-Speed Note: Wrench and back-up screw not included.

Accessories:



SK Collets
Page 188



Wrench
Page 193



Back-up screw
Page 194



Coolant-thru and
Slotted Nuts
Page 192