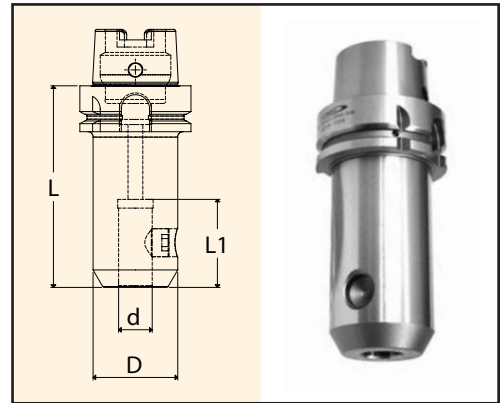


HSK End Mill Holders

HSK100A

Part Number	d	L	L1	D	Set Screw Part Number
HSK100A-0187-4.00	3/16"	4.00"	0.867"	0.748"	S8-32X1/4
HSK100A-0187-6.00	3/16"	6.00"	0.867"	0.748"	S8-32X1/4
HSK100A-0250-4.00	1/4"	4.00"	1.102"	0.787"	S1/4-28X1/4
HSK100A-0250-6.00	1/4"	6.00"	1.102"	0.787"	S1/4-28X1/4
HSK100A-0312-4.00	5/16"	4.00"	1.220"	0.866"	S5/16-24X1/4
HSK100A-0312-6.00	5/16"	6.00"	1.220"	0.866"	S5/16-24X1/4
HSK100A-0375-4.00	3/8"	4.00"	1.260"	1.00"	S3/8-24X5/16
HSK100A-0375-6.00	3/8"	6.00"	1.260"	1.00"	S3/8-24X5/16
HSK100A-0437-4.00	7/16"	4.00"	1.496"	1.378"	S7/16-20X3/8
HSK100A-0437-6.00	7/16"	6.00"	1.496"	1.378"	S7/16-20X3/8
HSK100A-0500-4.00	1/2"	4.00"	1.575"	1.378"	S7/16-20X3/8
HSK100A-0500-6.00	1/2"	6.00"	1.575"	1.378"	S7/16-20X3/8
HSK100A-0625-4.00	5/8"	4.00"	1.693"	1.654"	S9/16-18X1/2
HSK100A-0625-6.00	5/8"	6.00"	1.693"	1.654"	S9/16-18X1/2
HSK100A-0750-4.00	3/4"	4.00"	1.969"	1.890"	S5/8-18X1/2
HSK100A-0750-6.00	3/4"	6.00"	1.969"	1.890"	S5/8-18X1/2
HSK100A-1000-4.00	1"	4.00"	2.559"	2.362"	S3/4-16X11/16 (2)
HSK100A-1000-6.00	1"	6.00"	2.559"	2.362"	S3/4-16X11/16 (2)
HSK100A-1250-4.00	1-1/4"	4.00"	2.559"	2.480"	S3/4-16X11/16 (2)
HSK100A-1250-6.00	1-1/4"	6.00"	2.559"	2.480"	S3/4-16X11/16 (2)



Set Screws are included. Back-up screws not included.
Coolant tube and coolant tube wrench are sold separately.

Accessories:



Set Screws
Page 28



Set Screws for Aerospace Holders
Page 28



HSK Coolant Tube
Page 28



HSK Coolant Tube Wrench
Page 28