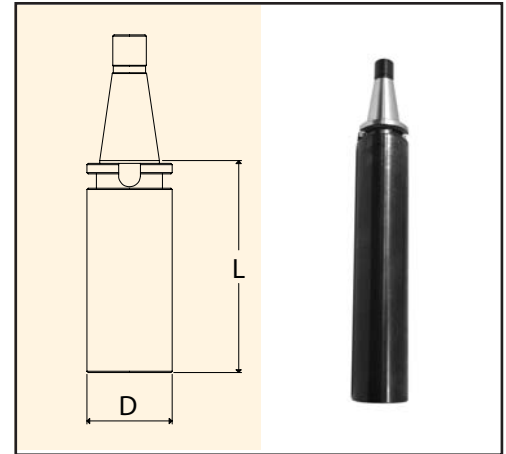


## NMTB and HSK Blank Bars

### NMTB40/50

Part Number	Taper	L	D
N4008-0013	NMTB40	13.00"	2.50"
N5008-0013	NMTB50	13.00"	3.88"

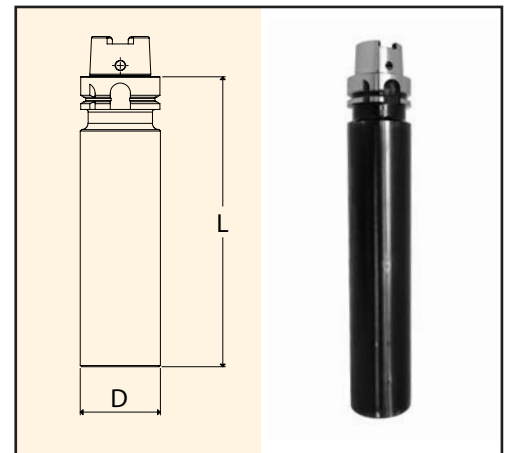
NMTB shanks are suitable for use with Erickson QC spindles.



### HSK40A/63A/100A

Part Number	Taper	L	D
HSK40A-BLANK-8.00	HSK40A	8.00"	2.00"
HSK63A-BLANK-13.00	HSK63A	13.00"	2.50"
HSK100A-BLANK-13.00	HSK100A	13.00"	3.75"

Note: Coolant tube and coolant tube wrench are not included.  
Other HSK sizes are available as specials. Please contact us for more information.



### Coolant Tube Wrench for HSK Holders

Part Number	Description
HSK63-WRENCH	Wrench for HSK63 Coolant Tube
HSK40-WRENCH	Wrench for HSK40 Coolant Tube
HSK100-WRENCH	Wrench for HSK100 Coolant Tube

Coolant tube wrenches are needed to remove or install coolant tubes in HSK toolholders



### Coolant Tube for HSK Holders

Part Number	Description
HSK63-TUBE	Coolant Tube for HSK63 Holders
HSK40-TUBE	Coolant Tube for HSK40 Holders
HSK100-TUBE	Coolant Tube for HSK100 Holders

