

# HSK Shell Mill Holders

- Accommodates face mills with bore diameters ranging from 1/2" (12mm) to 2" (50mm)
- Pilot diameter sized for precision fit with cutter
- Removable/replaceable drive keys as standard
- Fine thread locking screw included
- AT3 or better taper

Please note that the maximum RPM listed in our catalog may vary depending on the toolholder shank, weight, balanceability and the G rating.



**TIR:** < .00015 run out at pilot



**Milling**  
★★★★☆



**Speed:** up to 30,000 rpm



**Set-up:** quick and easy

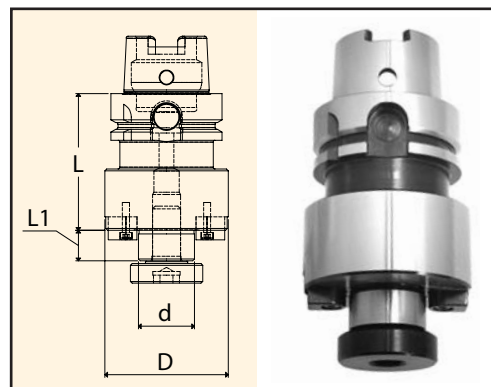


**Coolant-thru:** thru-pilot (optional)

## HSK40A/63A

Part Number	d	L	D	L1	Key size	Arbor thread
HSK40A-SM0750-60	3/4"	2.36"	1.69"	0.67"	5/16"	3/8"-24
HSK40A-SM1000-60	1"	2.36"	2.17"	0.67"	3/8"	1/2"-20
HSK63A-SM0750-3.00	3/4"	3.00"	1.693"	0.669"	5/16"	3/8"-24
HSK63A-SM0750-5.00	3/4"	5.00"	1.693"	0.669"	5/16"	3/8"-24
HSK63A-SM1000-3.00	1"	3.00"	2.165"	0.669"	3/8"	1/2"-20
HSK63A-SM1000-5.00	1"	5.00"	2.165"	0.669"	3/8"	1/2"-20
HSK63A-SM1250-3.00	1-1/4"	3.00"	2.756"	0.669"	1/2"	5/8"-18
HSK63A-SM1250-5.00	1-1/4"	5.00"	2.756"	0.669"	1/2"	5/8"-18

Coolant tube and coolant tube wrench are not included. See page 83 for more details.



## HSK100A

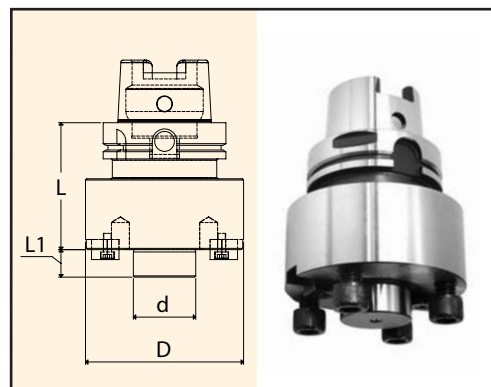
Part Number	d	L	D	L1	Key size	Arbor thread
HSK100A-SM0750-4.00	3/4"	4.00"	1.693"	0.669"	5/16"	3/8"-24
HSK100A-SM0750-6.00	3/4"	6.00"	1.693"	0.669"	5/16"	3/8"-24
HSK100A-SM1000-4.00	1"	4.00"	2.165"	0.669"	3/8"	1/2"-20
HSK100A-SM1000-6.00	1"	6.00"	2.165"	0.669"	3/8"	1/2"-20
HSK100A-SM1250-4.00	1-1/4"	4.00"	2.756"	0.669"	1/2"	5/8"-18
HSK100A-SM1250-6.00	1-1/4"	6.00"	2.756"	0.669"	1/2"	5/8"-18
HSK100A-SM1500-4.00	1-1/2"	4.00"	3.504"	0.902"	5/8"	3/4"-16
HSK100A-SM1500-6.00	1-1/2"	6.00"	3.504"	0.902"	5/8"	3/4"-16
HSK100A-SM2000-4.00	2"	4.00"	4.488"	0.902"	3/4"	1"-14
HSK100A-SM2000-6.00	2"	6.00"	4.488"	0.902"	3/4"	1"-14

Coolant tube and coolant tube wrench are not included. See page 83 for more details.

## HSK100A Face Mill Holders

Part Number	d	L	D	L1	Key size
HSK100A-FM2000-4.00	2"	4.00"	5.062"	0.866"	3/4"
HSK100A-FM2000-6.00	2"	6.00"	5.062"	0.866"	3/4"
HSK100A-FM2500-4.00	2-1/2"	4.00"	5.062"	0.866"	1.00"
HSK100A-FM2500-6.00	2-1/2"	6.00"	5.062"	0.866"	1.00"

Note: Face Mill Holders are supplied with four 5/8-11 mounting bolts. Pitch circle diameter is 4".



### Accessories:



**Replacement Keys**  
Page 83



**Replacement Arbor Screws**  
Page 83

Note: All shell mill holders are coolant-thru. Arbor screws are not coolant-thru but can be modified to facilitate coolant capabilities: see cutter manufacturer for modification requirement.