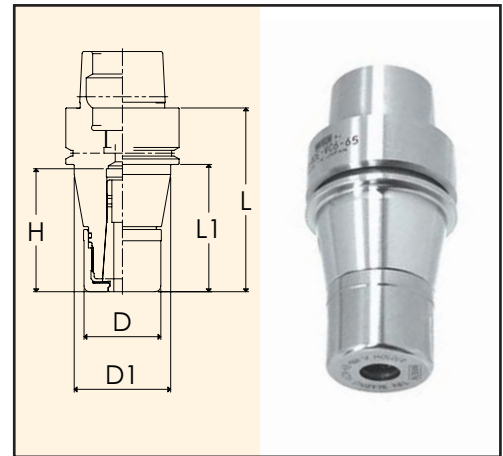


HSK VC Collet Chucks

HSK40E

Part Number	Collet Size	Wrench	L	L1	H	D	D1	Back-up Screw
HSK40E-VC6-65	VCK6	GH10	2.559"	1.693"	-	1.083"	1.362"	VCG6-8A
HSK40E-VC6-90	VCK6	GH10	3.543"	2.677"	1.38"-1.77"	1.083"	1.330"	VCG6-8A
HSK40E-VC13-90	VCK13	GH16	3.543"	2.756"	1.97"-2.36"	1.575"	1.575"	VCG13-15A
HSK40E-VC13-120	VCK13	GH16	4.724"	3.937"	1.97"-2.36"	1.575"	1.575"	VCG13-15A

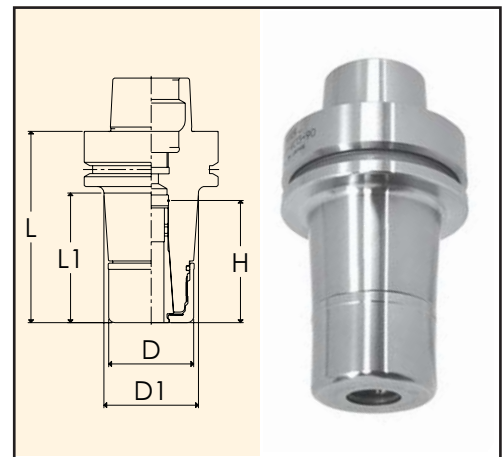
Note: wrench, coolant tubes and coolant tube wrenches are sold separately.
See page 204 for more details.



HSK63F

Part Number	Collet Size	Wrench	L	L1	H	D	D1	Back-up Screw
HSK63F-VC6-65	VCK6	GH10	2.559"	1.457"	1.38"-1.77"	1.083"	1.083"	VCG6-8A
HSK63F-VC6-90	VCK6	GH10	3.543"	2.402"	1.38"-1.77"	1.083"	1.205"	VCG6-8A
HSK63F-VC6-120	VCK6	GH10	4.724"	3.583"	1.38"-1.77"	1.083"	1.370"	VCG6-8A
HSK63F-VC13-90	VCK13	GH16	3.543"	2.520"	1.97"-2.36"	1.575"	1.670"	VCG13-15A
HSK63F-VC13-120	VCK13	GH16	4.724"	3.622"	1.97"-2.36"	1.575"	1.835"	VCG13-15A

Note: wrench, coolant tubes and coolant tube wrenches are sold separately.
See page 204 for more details.



Accessories:



VCK Collets
Page 202



Nut Wrench
Page 204



Back-up screw
Page 204



Coolant-thru
nut
Page 204