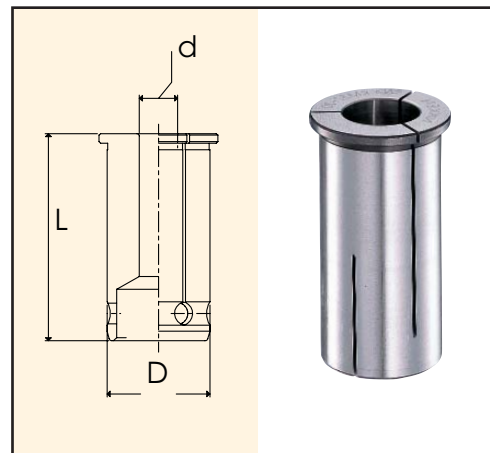


KM Collets

Milling chuck collets are designed to ensure uniform fit around the cutting tool shank. This provides maximum gripping power as well as concentric positioning of the cutting tool.



Collet Series	L	D	Collet Range
KM3/4	2.08" (53mm)	0.98" (25mm)	1/8" - 5/8"
KM1	2.32" (59mm)	1.14" (29mm)	1/8" - 7/8"
KM1.1/4	2.53" (64.5mm)	1.45" (37mm)	3/16" - 1"
KM2	3.26" (83mm)	2.28" (58mm)	1" - 1.1/2"
KM32mm	2.53" (64.5mm)	1.45" (37mm)	3/16" - 1"

KM collets do not collapse.

Collet Series	INCH		METRIC	
	Size	Part Number	Size	Part Number
3/4"	1/8"	KM3/4-1/8	6mm	KM3/4-6
	3/16"	KM3/4-3/16	7mm	KM3/4-7
	1/4"	KM3/4-1/4	8mm	KM3/4-8
	5/16"	KM3/4-5/16	10mm	KM3/4-10
	3/8"	KM3/4-3/8	12mm	KM3/4-12
	7/16"	KM3/4-7/16	14mm	KM3/4-14
	1/2"	KM3/4-1/2	16mm	KM3/4-16
	9/16"	KM3/4-9/16	-	-
1"	5/8"	KM3/4-5/8	-	-
	1/8"	KM1-1/8	6mm	KM1-6
	3/16"	KM1-3/16	8mm	KM1-8
	1/4"	KM1-1/4	10mm	KM1-10
	5/16"	KM1-5/16	12mm	KM1-12
	3/8"	KM1-3/8	14mm	KM1-14
	7/16"	KM1-7/16	16mm	KM1-16
	1/2"	KM1-1/2	18mm	KM1-18
	5/8"	KM1-5/8	20mm	KM1-20
	3/4"	KM1-3/4	-	-
1.1/4"	7/8"	KM1-7/8	-	-
	3/16"	KM1.1/4-3/16	6mm	KM1.1/4-6
	1/4"	KM1.1/4-1/4	8mm	KM1.1/4-8
	5/16"	KM1.1/4-5/16	10mm	KM1.1/4-10
	3/8"	KM1.1/4-3/8	12mm	KM1.1/4-12
	7/16"	KM1.1/4-7/16	14mm	KM1.1/4-14
	1/2"	KM1.1/4-1/2	16mm	KM1.1/4-16
	9/16"	KM1.1/4-9/16	20mm	KM1.1/4-20
	5/8"	KM1.1/4-5/8	25mm	KM1.1/4-25
	3/4"	KM1.1/4-3/4	-	-
	7/8"	KM1.1/4-7/8	-	-
1"	KM1.1/4-1	-	-	

Collet Series	INCH		METRIC	
	Size	Part Number	Size	Part Number
32mm	3/16"	KM32-3/16	6mm	KM32-6
	1/4"	KM32-1/4	8mm	KM32-8
	5/16"	KM32-5/16	10mm	KM32-10
	3/8"	KM32-3/8	12mm	KM32-12
	7/16"	KM32-7/16	14mm	KM32-14
	1/2"	KM32-1/2	16mm	KM32-16
	9/16"	KM32-9/16	20mm	KM32-20
	5/8"	KM32-5/8	25mm	KM32-25
	3/4"	KM32-3/4	26mm	KM32-26
	7/8"	KM32-7/8	-	-
2"	1"	KM2-1	-	-
	1-1/4"	KM2-1-1/4	-	-
	1-1/2"	KM2-1-1/2	-	-

KM Collet Set

Part Number	Description
KM3/4-09S	9 piece set 1/8" - 5/8"
KM3/4-07S	7 piece set 6mm -16mm
KM1-10S	10 piece set 1/8" - 7/8"
KM1-08S	8 piece set 6mm - 20mm
KM1.1/4-11S	11 piece set 3/16" - 1"
KM1.1/4-08S	8 piece set 6mm - 25mm
KM32-11S	11 piece set 3/16" - 1"
KM32-09S	9 piece set 6mm - 26mm

Accessories:



KM and NK Collets
Page 155-156



Spanner Wrench
Page 159



Back-Up Screw
Page 159



Coolant-thru and Slotted Nuts
Page 157-158