

MMC Collets

These collets do not collapse.

Standard Collets

Collet series	Size	Part Number
MPK4	1/16"	MPK4-1/16
	3/32"	MPK4-3/32
	1.0mm	MPK4-1
	1.5mm	MPK4-1.5
	2.0mm	MPK4-2
	2.5mm	MPK4-2.5
	3.0mm	MPK4-3
	3.5mm	MPK4-3.5
	4.0mm	MPK4-4

Coolant Collets

Collet series	Size	Part Number
VMK8	1/8"	VMK8-1/8
	3/16"	VMK8-3/16
	1/4"	VMK8-1/4
	5/16"	VMK8-5/16
	3/8"	VMK8-3/8
	2.0mm	VMK8-2
	3.0mm	VMK8-3
	4.0mm	VMK8-4
	5.0mm	VMK8-5
	6.0mm	VMK8-6
	8.0mm	VMK8-8
	10.0mm	VMK8-10

Slotted Collets

Part Number
VMK8-1/8J
VMK8-3/16J
VMK8-1/4J
VMK8-5/16J
VMK8-3/8J
VMK8-2J
VMK8-3J
VMK8-4J
VMK8-5J
VMK8-6J
VMK8-8J
VMK8-10J

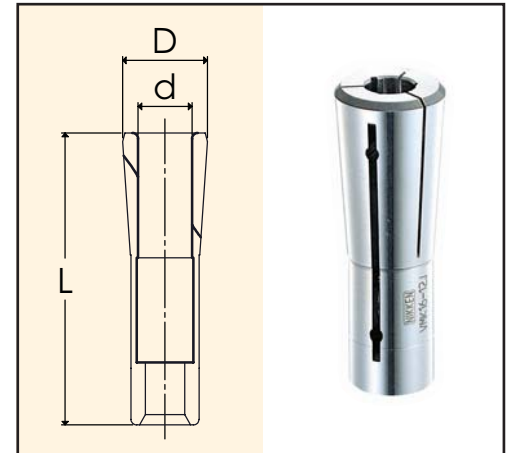
VMK12	3/16"	VMK12-3/16
	1/4"	VMK12-1/4
	5/16"	VMK12-5/16
	3/8"	VMK12-3/8
	7/16"	VMK12-7/16
	1/2"	VMK12-1/2
	4.0mm	VMK12-4
	5.0mm	VMK12-5
	6.0mm	VMK12-6
	8.0mm	VMK12-8
	10.0mm	VMK12-10
	12.0mm	VMK12-12

VMK12-3/16J
VMK12-1/4J
VMK12-5/16J
VMK12-3/8J
VMK12-7/16J
VMK12-1/2J
VMK12-4J
VMK12-5J
VMK12-6J
VMK12-8J
VMK12-10J
VMK12-12J

Note: these collets can be used for non-coolant application as well.

Coolant Tube and Coolant Tube Wrench for HSK Holders

Part Number	Description
HSK63-Tube	Coolant tube for HSK63 holders
HSK100-Tube	Coolant tube for HSK100 holders
HSK63-Wrench	Wrench for HSK63 coolant tube
HSK100-Wrench	Wrench for HSK100 coolant tube



Dimensional Data

Collet Series	D	L	Collet Range
MPK4	0.39" (10mm)	1.25" (32mm)	1/16" - 3/32" (1mm-4mm)
VMK8	0.59" (15mm)	2.02" (51.5mm)	1/8" - 3/8" (2mm-8mm)
VMK12	0.82" (21mm)	2.20" (56mm)	3/16" - 1/2" (4mm-12mm)

