

NMTB End Mill Holders

- End mill inner bore T.I.R. ≤ 0.0002
- Through-spindle coolant capability
- AT3 or better taper



TIR: < .0002 run out in ID bore



Milling
★★★★☆



Speed: up to 20,000 rpm



Tapping
★★★★☆



Set-up: quick and easy

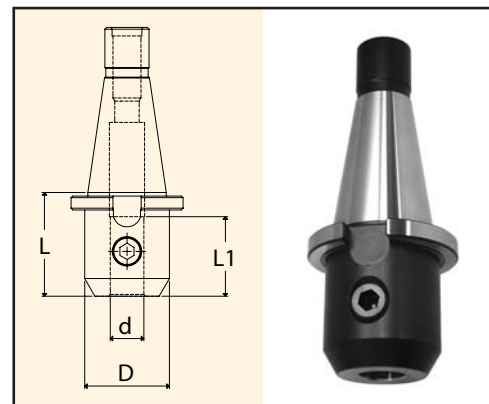


Coolant-thru: jet slots (optional)

Please note that the maximum RPM listed in our catalog may vary depending on the toolholder shank, weight, balanceability and the G rating.

NMTB30

Part Number	d	L	L1	D	Set Screw Part Number
N3006-0125-1.75	1/8"	1.75"	0.63"	0.75"	S6-32X1/4
N3006-0187-1.75	3/16"	1.75"	0.87"	0.75"	S8-32X1/4
N3006-0250-1.75	1/4"	1.75"	1.10"	0.79"	S1/4-28X1/4
N3006-0312-1.75	5/16"	1.75"	1.26"	0.87"	S5/16-24X1/4
N3006-0375-1.75	3/8"	1.75"	1.26"	1.00"	S3/8-24X5/16
N3006-0500-1.75	1/2"	1.75"	1.57"	1.38"	S7/16-20X3/8
N3006-0625-1.75	5/8"	1.75"	1.69"	1.43"	S9/16-18X1/2
N3006-0750-2.25	3/4"	2.25"	1.85"	1.89"	S5/8-18X1/2
N3006-0875-2.50	7/8"	2.50"	1.96"	2.01"	S5/8-18X1/2
N3006-1000-2.69	1"	2.69"	2.24"	2.36"	S3/4-16X11/16
N3006-1250-3.62	1-1/4"	3.62"	2.24"	2.48"	S3/4-16X11/16 (2)



NMTB40

Part Number	d	L	L1	D	Set Screw Part Number
N4006-0125-2.31	1/8"	2.31"	0.63"	0.75"	S6-32X1/4
N4006-0187-2.31	3/16"	2.31"	0.87"	0.75"	S8-32X1/4
N4006-0250-2.31	1/4"	2.31"	1.10"	0.79"	S1/4-28X1/4
N4006-0312-2.31	5/16"	2.31"	1.26"	0.87"	S5/16-24X1/4
N4006-0375-2.31	3/8"	2.31"	1.26"	1.00"	S3/8-24X5/16
N4006-0437-2.31	7/16"	2.31"	1.50"	1.38"	S7/16-20X3/8
N4006-0500-2.31	1/2"	2.31"	1.50"	1.38"	S7/16-20X3/8
N4006-0625-2.31	5/8"	2.31"	1.61"	1.65"	S9/16-18X1/2
N4006-0750-2.31	3/4"	2.31"	1.77"	1.89"	S5/8-18X1/2
N4006-0875-2.94	7/8"	2.94"	2.09"	2.01"	S5/8-18X1/2 (2)
N4006-1000-3.37	1"	3.37"	2.36"	2.36"	S3/4-16X11/16 (2)
N4006-1250-3.69	1-1/4"	3.69"	2.56"	2.48"	S3/4-16X11/16 (2)
N4006-1500-3.95	1-1/2"	3.95"	2.56"	2.99"	S3/4-16X11/16 (2)

NMTB shanks are suitable for use with Erickson QC spindles.
Set Screws are included. Back-up screws not included.

Accessories:



Set Screws
Page 28



Set Screws for Aerospace Holders
Page 28