

Static & Live Tooling



MORI SEIKI LATHES X-CLASS SERIES
NLX, NTX, NZX AND DURATURN SERIES

DMG **MORI SEIKI**
QUALIFIED PRODUCTS



ALPS TOOL

Special Live Tool Inquiry Form

Fax: (847) 367-4815
 Email: inquiries@lyndexnikken.com

Fill in the form below and fax it to (847) 367-4815, or visit www.lyndexnikken.com and complete the form online. Lyndex-Nikken engineers will help you to determine the best live tool for your application.

Company _____ Name _____

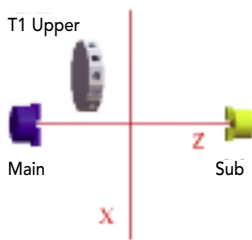
Address _____

Zip _____ City _____

Phone _____ E-mail _____

Please specify machine model and turret configuration (12 or 20 stations):

NL and DuraTurn Series



NZ Series



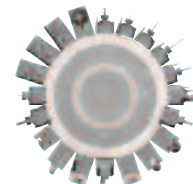
NT Series



12 station turret



20 station turret



Please specify design configuration:

Standard: 1) straight
2) 90° (reducer/speeder)

Offset: 1) straight
2) 90°

Saw Blade Holder: 1) straight
2) 90°

Multi Output: 1) straight
2) 90°

Offset Multi Output: 1) straight
2) 90°

Adjustable Y straight

Adjustable Angle

Fixed Angle

Please specify holding system and cutting tool specifications:

Holding System

Preferred type of holding system (ER, Shrink Fit, Shell Mill Arbor, etc.): _____

Application and Cutting Tool Specifications

Type of material: _____

Type and nature of application (milling, drilling, reaming, slitting, etc.): _____

Size of cutter (diameter): _____ Overall length of cutter: _____

Flute length: _____ Requested RPM: _____ Requested torque: _____

Coolant Requirements

External/Internal: _____ Requested pressure capabilities: _____

Number of nozzle ports: _____ Coolant pipe design or configuration specifications: _____

MORI SEIKI STATIC & LIVE TOOLING

Special Live Tool Inquiry Form	<i>Inside cover</i>
Table of Contents	1
General Matrix	2-3
Introduction	4
Features and Technology	5
Live Tools for Mori Seiki 12-Station, NLX, NTX4000 & NTX5000 Series	6-28
Static Tools for Mori Seiki 12-Station, NLX, NTX4000 & NTX5000 Series	29-47
Live Tools for Mori Seiki 20-Station, NLX, DuraTurn, NZX & NTX3000 Series	48-58
Static Tools for Mori Seiki 20-Station, NLX, DuraTurn, NZX & NTX3000 Series	59-65
How to Choose Cutting Heads for Capto Static Tools	66
Mimatic® MI Attachments	67-69
Capto Holders	70-72
ER Series Collets and Tap Collets	73-76
Replacement Parts and Milling Chuck Collets	77
Torque Wrench, Warranty / Service and Accessories	78-80

Specials

Custom-made live tools can be engineered for your specific application. Please direct your request to our office (see special live tool inquiry form). Our engineering staff is ready to assist you with your specific tooling needs.



Live Tool Part Numbering System

Machine Make		Machine Model		Tool Nose / Output		Axis	Style		Speed / Torque		Max. Int. Coolant Pressure	
M		NL12		ER25		X	MS		HS		CST	
M	Mori Seiki	NL12	NL 12 Stations	ER25	ER25	x	OFF	Offset	HS	High-speed	7MP	7MP (1000PSI)
		NZ20	NZ 16&20 Stations	TRX75	Milling Chuck 3/4"	y	AD	Adjustable			2MP	2MP (200PSI)
				EMH10	End Mill 1"	z	MS	2 Spindles, Main & Sub			CST	7MP (1000PSI)
				EMH25MM	End Mill 25mm	-	MD	Main Spindle, 2 Output			C-STAT	7MP (1000PSI)
				SM1	Shell Mill 1"	-	MSD	Main & Sub Spindle, 4 Output			C-STATIC	7MP (1000PSI)
				SM22MM	Shell Mill 22mm	-	MT	Main Spindle, 3 Output				
				CAPTO4	Capto 4	-	Static	Static Holder				
				OD10	OD Turning 1"	-						
				CO10	Cut-Off 1"	-						
				BG10	Boring 1"	-						
				BGS20	Boring with Slot 2"	-						
				CH15	Combination 1.25"	-						
				ID75	Face Turning 1.1/4"	-						

Mori Seiki 12-Station, NLX, NTX4000 and NTX5000 Series

LIVE TOOLS

Product	Page	Part Number	Output	Ext./Int. Coolant	Max. RPM
OD Drill/Mill Unit with ER Output					
	6	MNL12-ER32X	ER32		6000
	6	MNL12-ER32X-C-2MP	ER32	IC	3000
	7	MNL12-ER32X-C-7MP	ER32	IC	6000
	7	MNL12-ER32X-C-7MP-MI	ER32	IC	6500
	8	MNL12-ER40X	ER40		6000
	8	MNL12-ER40X-C-7MP	ER40	IC	6000
	9	MNL12-ER40X-C-7MP-MI	ER40	IC	6500
	9	MNL12-ER40X-62	ER40		6000
Offset Type OD Drill/Mill Unit with ER Output					
	10	MNL12-ER20X-OFF	ER20		6000
	10	MNL12-ER32X-OFF	ER32		6000
	11	MNL12-ER16Y-OFF-MD	ER16		6000
OD Drill/Mill Unit with 2 x ER Output					
	11	MNL12-ER25X-MSD	ER25		6000
	12	MNL12-ER25Y-MD	ER25		6000
Adjustable Angle Drill/Mill Unit					
	12	MNL12-ER20-AD	ER20		4000
OD Milling Chuck Holder					
	13	MNL12-TRX75X	3/4"		3000
OD Shell Mill Unit with Mill Arbor					
	13	MNL12-SM22MMX	22mm		3000
	14	MNL12-SM10X	1"		3000
	14	MNL12-SM75X	3/4"		6000
OD Weldon Drill/Mill Unit					
	15	MNL12-EMH20MMX	20mm		3000
	15	MNL12-EMH25MMX	25mm		3000
	16	MNL12-EMH10X	1"		3000
OD Capto Drill/Mill Unit					
	16	MNL12-CAPTO4X-HS	C4		6000
Mimatic Quick Change System OD Drill/Mill Unit					
	17	MNL12-MI50X-C-7MP-MI	MI50	IC	6500
Face Drill/Mill Unit with ER Output					
	17	MNL12-ER32Z	ER32		6000
	18	MNL12-ER32Z-C-7MP	ER32	IC	6000
	18	MNL12-ER32Z-C-7MP-MI	ER32	IC	6500
	19	MNL12-ER40Z	ER40		6000
	19	MNL12-ER40Z-C-7MP	ER40	IC	6000
	20	MNL12-ER40Z-C-7MP-MI	ER40	IC	6500
Face Drill/Mill Unit with 2 or 4 X ER Output					
	20	MNL12-ER32Z-MS	ER32		6000
	21	MNL12-ER40Z-MS	ER40		6000
	21	MNL12-ER16Z-MD	ER16		6000
	22	MNL12-ER25Z-MD	ER25		6000
	22	MNL12-ER25Z-MD-C-7MP	ER25	IC	6000
	23	MNL12-ER25Z-MSD	ER25		6000
Face Milling Chuck Holder					
	23	MMNL12-TRX75Z	3/4"		3000
Face Shell Mill Unit with Mill Arbor					
	24	MNL12-SM10Z	1"		3000
	24	MNL12-SM22MMZ	22mm		3000
Face Weldon Drill/Milling Unit					
	25	MNL12-EMH10Z	1"		3000
	25	MNL12-EMH20MMZ	20mm		3000
	26	MNL12-EMH25MMZ	25mm		3000
Face Capto Drill/Mill Unit					
	26	MNL12-CAPTO4Z	C4		6000
	27	MNL12-CAPTO4Z-C-2MP	C4	IC	3000
Mimatic Quick Change Face Drill/Mill Unit					
	27	MNL12-MI50Z-C-7MP-MI	MI50	IC	6500
Mimatic Quick Change Face Drill/Mill Unit with 2 X ER Output					
	28	MNL12-MI40Z-MS-C-MI	MI50	IC	6500

12 Station Turret



STATIC TOOLS

Product	Page	Part Number	Output	Ext./Int. Coolant	Type
OD Turning Tool / Cutting Holder					
	29	MNL12-OD75X	3/4"		
	29	MNL12-OD20MX-HW	20mm		
	30	MNL12-OD10X	1"		
	30	MNL12-OD25MX-HW	25mm		
	31	MNL12-OD75X-MS	3/4"		2 output
	31	MNL12-OD20MX-MS-HW	20mm		2 output
	32	MNL12-OD10X-MS	1"		2 output
	32	MNL12-OD25MX-MS-HW	25mm		2 output
	33	MNL12-OD75X-MSD-HW	3/4"		4 output
	33	MNL12-OD20MX-MSD-HW	20mm		4 output
	34	MNL12-OD10X-MSD	1"		4 output
	34	MNL12-OD25MX-MSD-HW	25mm		4 output
	35	MNL12-OD75Y-MD	3/4"		2 output
OD Cut-Off Holder, Right hand					
	35	MNL12-CO10X	1"		
OD Cut-Off Holder					
	36	MNL12-CO12X	1.25"		
ID Cutting Holder					
	36	MNL12-ID15Z	3/4"		
	37	MNL12-ID10Z	1"		
Boring Bar Holder					
	37	MNL12-BG15Z	1.5"		
	38	MNL12-BG20Z	2"		
Boring Bar Holder Multiple Output					
	38	MNL12-BG12Z-MSD	1.25"		4 output
	39	MNL12-BG32MZ-MSD-HW	32mm		4 output
	39	MNL12-BG10Z-MST	1"		6 output
	40	MNL12-BG25MZ-MST-HW	25mm		6 output
	40	MNL12-BG12Z-MST-HW	1.25"		6 output
	41	MNL12-BG32MZ-MST-HW	32mm		6 output
	41	MNL12-BG10Z-MSQ-HW	1"		8 output
	42	MNL12-BG25MZ-MSQ-HW	25mm		8 output
	42	MNL12-BG12Z-MS	1.25"		2 output
Combination Holder					
	43	MNL12-CH15Z	1.5"		
Boring Bar Holder with Slot					
	43	MNL12-BGS20Z	2"		
	44	MNL12-BGS15Z	1.5"		
ER Collet Chuck Static Holder					
	44	MNL12-ER40Z-STATIC	ER40		
	45	MNL12-ER40Z-MS-STAT	ER40		2 output
ID Capto Turning Tool					
	45	MNL12-CAPTO5Z-C-STAT	C5	IC	
	46	MNL12-CAPTO5Z-MS-CST	C5	IC	2 output
OD Capto Turning Tool					
	46	MNL12-CAPTO5X-C-STAT	C5	IC	
	47	MNL12-CAPTO5X-MS-CST	C5	IC	2 output

Mori Seiki 20-Station, NLX, DuraTurn, NZX and NTX3000 Series

LIVE TOOLS

Product	Page	Part Number	Output	Ext./Int. Coolant	Max. RPM
OD Drill/Mill Unit with ER Output					
	48	MNZ20-ER16X-HS	ER16		10000
	48	MNZ20-ER20X	ER20		6000
	49	MNZ20-ER20X-C-7MP	ER20	IC	6000
	49	MNZ20-ER20X-OFF	ER20		6000
	50	MNZ20-ER25X	ER25		6000
	50	MNZ20-ER25X-C-7MP-MI	ER25	IC	6500
	51	MNZ20-ER32X	ER32		6000
OD Shell Mill Unit with Mill Arbor					
	51	MNZ20-SM22MMX	22mm		2000
OD Capto Drill/Mill Unit					
	52	MNZ20-CAPTO3X-HS	C3		6000
Mimatic Quick Change System OD Drill/Mill Unit					
	52	MNZ20-MI40X-C-7MP-MI	MI40	IC	6500
Face Drill/Mill Unit with ER Output					
	53	MNZ20-ER16Z-HS	ER16		10000
	53	MNZ20-ER20Z	ER20		6000
	54	MNZ20-ER20Z-C-7MP	ER20	IC	6000
	54	MNZ20-ER25Z	ER25		6000
	55	MNZ20-ER25Z-C-7MP-MI	ER25	IC	6500
	55	MNZ20-ER32Z	ER32		6000
Face Drill/Mill Unit with 2 X ER Output					
	56	MNZ20-ER20Z-MS	ER20		6000
	56	MNZ20-ER25Z-MS	ER25		6000
Adjustable Angle Drill/Mill Unit with ER Output					
	57	MNZ20-ER16-AD	ER16		4000
Face Capto Drill/Mill Unit					
	57	MNZ20-CAPTO3Z-HS	C3		6000
Mimatic Quick Change System OD Drill/Mill Unit					
	58	MNZ20-MI40Z-C-7MP-MI	MI40	IC	6500
Face Shell Mill Unit with Mill Arbor					
	58	MNZ20-SM22MMZ	22mm		2000



20 Station Turret

STATIC TOOLS

Product	Page	Part Number	Output	Ext./Int. Coolant	Type
OD Turning Tool					
	59	MNZ20-OD75X	3/4"		short
	59	MNZ20-OD75X-LG	3/4"		long
OD Cutting Holder, 2 Output					
	60	MNZ20-OD75X-MS	3/4"		short
	60	MNZ20-OD75X-MS-LG	3/4"		long
Cut-Off Holder, Right Hand					
	61	MNZ20-CO75X	3/4"		
ID Turning Holder					
	61	MNZ20-ID75Z	3/4"		
Boring Bar Holder					
	62	MNZ20-BG12Z	1.25"		
Boring Bar Holder, 2 Output					
	62	MNZ20-BG10Z-MS	1"		
Combination Holder					
	63	MNZ20-CH12Z-C	1.25"	IC	
OD Capto Turning Tool					
	63	MNZ20-CAPTO4X-C-STAT	C4	IC	
	64	MNZ20-CAPTO4X-MS-CST	C4	IC	2 output
ID Capto Turning Tool					
	64	MNZ20-CAPTO4Z-C-STAT	C4	IC	
	65	MNZ20-CAPTO4Z-MS-CST	C4	IC	2 output



Maximize the capabilities of your Mori Seiki Machine

Mori Seiki has selected Alps/Lyndex-Nikken live tools for inclusion in their MSQP (Mori Seiki Qualified Peripherals) program to ensure that peripheral equipment used on their lathes and machining centers is consistent both in terms of quality and performance.

Alps live tooling for Lyndex-Nikken offers the latest technology you can expect for turning operations. Designed and manufactured directly with Mori Seiki engineers in Japan, our live tools have features and benefits unmatched by the competition. Gears, bearings, seals, every part is built to provide the highest accuracy, rigidity and stability.

With more than 30 years of tooling engineering and manufacturing experience, Lyndex-Nikken live tooling will maximize the capabilities of your machine, and keep you far ahead of the global competition. We understand that exceptional quality is key to your business. Let the manufacturers who share your philosophy in producing live tools join you in doing what you do best - machining the highest quality parts.

Enhanced with Alps/Lyndex-Nikken live tooling, your Mori Seiki machine will allow you to reduce cycle times, eliminate extra operations and achieve maximum efficiency.

Parts inventory, maintenance and repair, and rebuild services are available through Lyndex-Nikken.



Lyndex-Nikken is an official Mori Seiki Qualified Peripherals (MSQP) supplier.



Lyndex-Nikken live tools are manufactured by Alps Tool Co. Ltd.

Static and Live Tooling for Mori Seiki Machines

FEATURES AND TECHNOLOGY

As an authorized OEM supplier to Mori Seiki, Lyndex-Nikken live tools are designed and manufactured in conjunction with Mori Seiki engineers at the factory in Japan.



Protective Seals

- **Labyrinth Seals** - provide a high-pressure multi-barrier construction that prevents contaminants and coolant from entering the main chamber.



Gears for Stability

- **Gear Pairing** - hand-matched for each pair to minimize backlash.
- **Gear Design** - custom ground spiral bevel gear tooth design maximizes drive torque output and reduces tooth root stress allowing for more tool longevity.
- **Gear Equilibrium** - placement of bearings balance torque stress evenly through input/output shafts.



Eccentric Bearing Nut

- **Ground Eccentric Nut** - allows for fine accuracy and strong tool shank gripping capacity by preventing collet twisting or rocking.
- **Runout** - guarantee of under 5-micron repeatability at collet nose.

Tool Design and Engineering

- **Tool Body** - manufactured from the highest tensile and compression Nickel Chrome Molybdenum alloys.
- **Drive Shafts** - all features are ground on both the input and output Chrome Molybdenum drive shafts to assure proper torque transmission and precision concentricity.
- **Quality Control** - all live tools go through a vigorous 60-point final inspection to satisfy the highest expectations of live tool performance.



Bearing Quality

Only the highest precision **ABEC 7 angular contact bearings** are used for smooth and high speed rotation.



ER32 OD Drill/Milling Unit

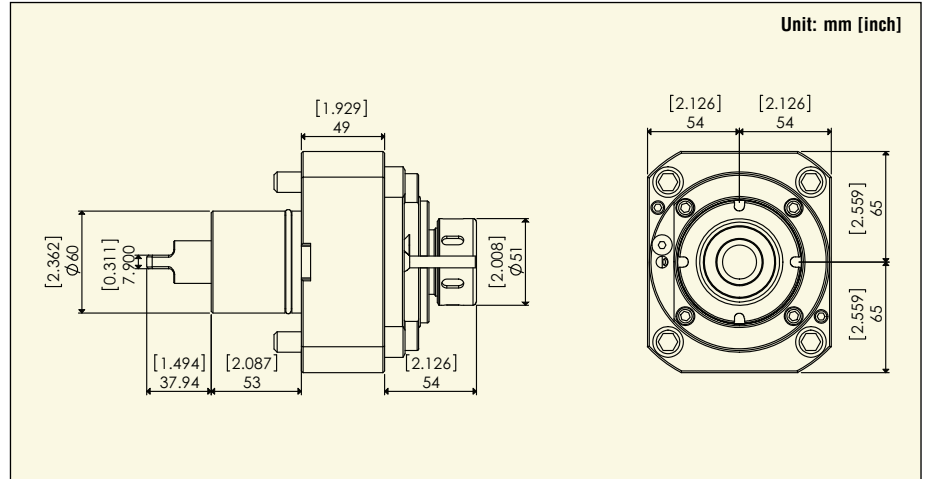
Part #: MNL12-ER32X

Mori Seiki Part #: T32206



Clockwise Input

Clockwise Output



External or Internal Coolant	Radial/Axial	Max. RPM	Gear Ratio	Max. Torque Output	Collet Size	Replacement Nut	Coolant Nozzle	Spanner Wrench	
								for Spindle	for Nut
External	Radial	6000	1:1	29.5ft-lbs (40N-m)	ER32 (1/8" to 25/32")	NA32	HI10337110	FK-10	FK-8

Please refer to pages 73 - 76 for ER Series Collets and ER Tap Collets details.

ER32 OD Drill/Milling Unit

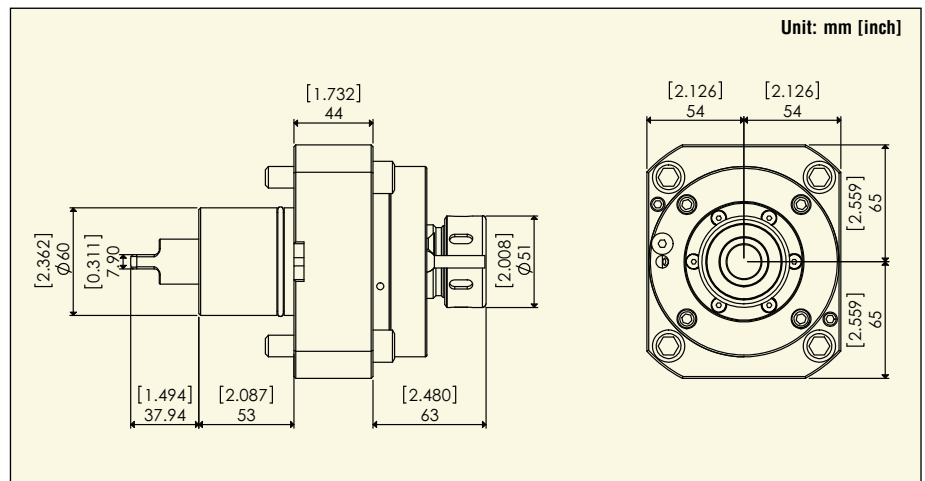
Part #: MNL12-ER32X-C-2MP

Mori Seiki Part #: T32232



Clockwise Input

Clockwise Output



External or Internal Coolant	Radial/Axial	Max. RPM	Gear Ratio	Max. Torque Output	Max. Pressure (PSI)	Collet Size	Replacement Nut	Coolant Nozzle	Spanner Wrench	
									for Spindle	for Nut
Internal	Radial	3000	1:1	29.5ft-lbs (40N-m)	200	ER32 (1/8" to 25/32")	NA32	MT100-31090	FK-10	FK-8

Note: Max Coolant Pressure 290 PSI - Must use a minimum of a 5 micron coolant filter to prevent damage to the unit. Please refer to pages 73 - 76 for ER Series Collets and ER Tap Collets details.



ER32 OD Drill/Milling Unit

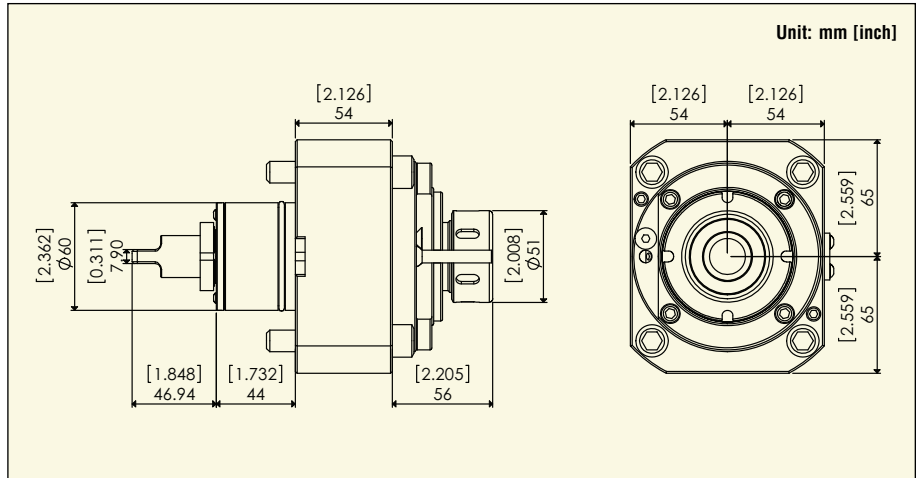
Part #: MNL12-ER32X-C-7MP Mori Seiki Part #: T32478



Clockwise Input



Clockwise Output



External or Internal Coolant	Radial/Axial	Max. RPM	Gear Ratio	Max. Torque Output	Max. Pressure (PSI)	Collet Size	Replacement Nut	Coolant Nozzle	Spanner Wrench	
									for Spindle	for Nut
Internal	Radial	6000	1:1	29.5ft-lbs (40N-m)	1000	ER32 (1/8" to 25/32")	NA32	HI10337110	FK-10	FK-8

Note: Max Coolant Pressure 1015 PSI - Must use a minimum of a 5 micron coolant filter to prevent damage to the unit. Please refer to pages 73 - 76 for ER Series Collets and ER Tap Collets details.

ER32 OD Drill/Milling Unit

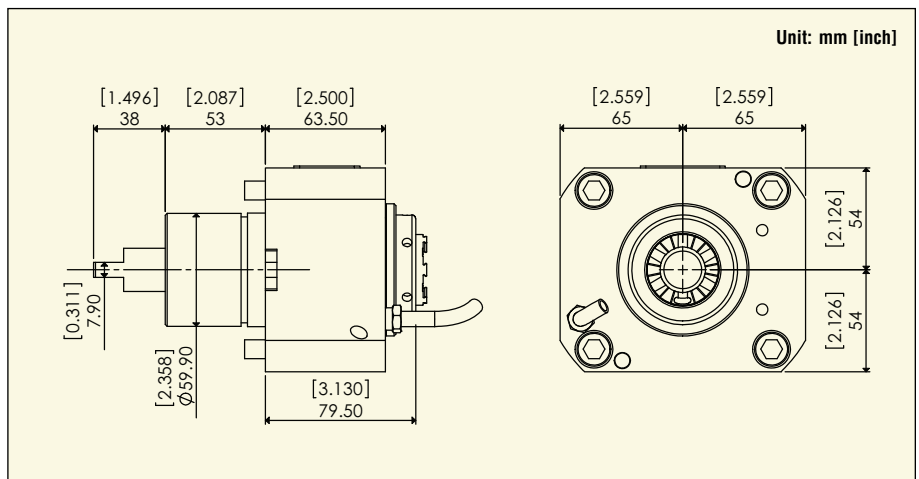
Part #: MNL12-ER32X-C-7MP-MI



Clockwise Input



Clockwise Output



External or Internal Coolant	Radial/Axial	Max. RPM	Gear Ratio	Max. Torque Output	Max. Pressure (PSI)	Collet Size	Replacement Nut	Spanner Wrench	
								for Spindle	for Nut
Internal	Radial	6500	1:1	(70N-m)	1000	ER32 (1/8" to 25/32")	NUT-ER32I	WRENCH-MIM-107642	WRENCH-ER32I

Note: Max Coolant Pressure 1015 PSI - Must use a minimum of a 5 micron coolant filter to prevent damage to the unit. Please refer to pages 73 - 76 for ER Series Collets and ER Tap Collets details.



ER40 OD Drill/Milling Unit

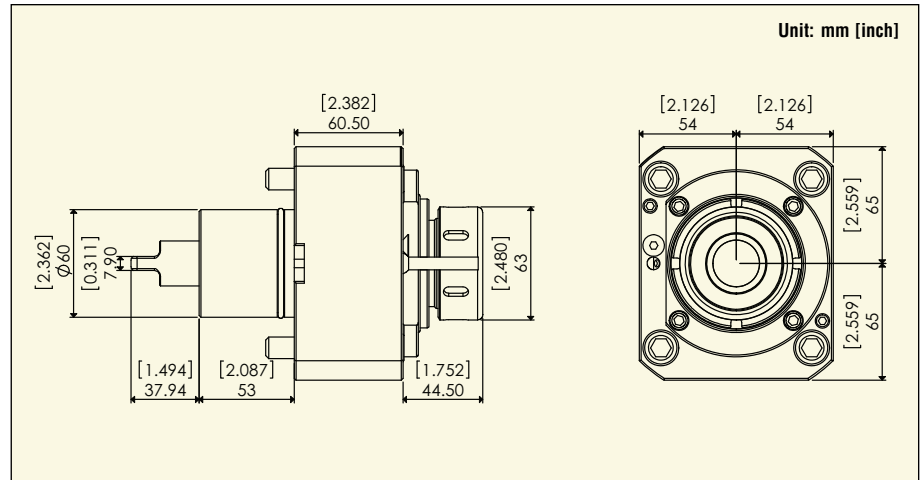
Part #: MNL12-ER40X

Mori Seiki Part #: T32213



Clockwise Input

Clockwise Output



External or Internal Coolant	Radial/Axial	Max. RPM	Gear Ratio	Max. Torque Output	Collet Size	Replacement Nut	Coolant Nozzle	Spanner Wrench for Nut	
								for Spindle	for Nut
External	Radial	6000	1:1	29.5ft-lbs (40N-m)	ER40 (5/32" to 1")	NA40	HI10337110	FK-10	FK-9

Please refer to pages 73 - 76 for ER Series Collets and ER Tap Collets details.

ER40 OD Drill/Milling Unit

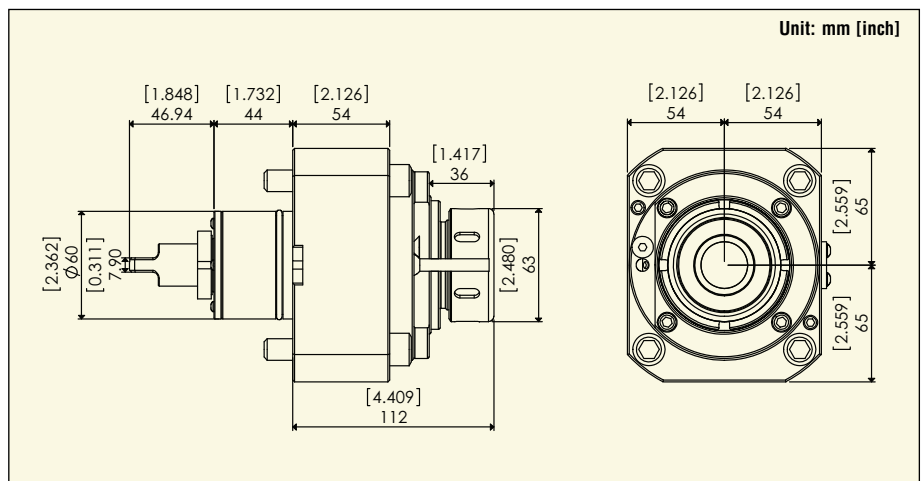
Part #: MNL12-ER40X-C-7MP

Mori Seiki Part #: T32234



Clockwise Input

Clockwise Output



External or Internal Coolant	Radial/Axial	Max. RPM	Gear Ratio	Max. Torque Output	Max. Pressure (PSI)	Collet Size	Replacement Nut	Coolant Nozzle	Spanner Wrench for Nut	
									for Spindle	for Nut
Internal	Radial	6000	1:1	29.5ft-lbs (40N-m)	1000	ER40 (5/32" to 1")	NA40	HI10337110	FK-10	FK-9

Note: Max Coolant Pressure 1015 PSI - Must use a minimum of a 5 micron coolant filter to prevent damage to the unit. Please refer to pages 73 - 76 for ER Series Collets and ER Tap Collets details.



ER40 OD Drill/Milling Unit

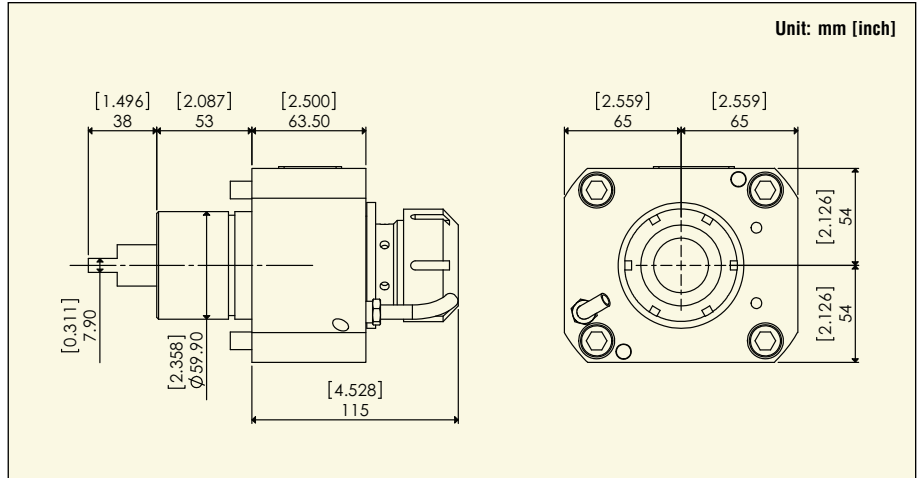
Part #: MNL12-ER40X-C-7MP-MI



Clockwise Input



Clockwise Output



External or Internal Coolant	Radial/Axial	Max. RPM	Gear Ratio	Max. Torque Output	Max. Pressure (PSI)	Collet Size	Replacement Nut	Spanner Wrench	
								for Spindle	for Nut
Internal	Radial	6500	1:1	(70N-m)	1000	ER40 (5/32" to 1")	NUT-MIM-ER40	WRENCH-MIM-107566	WRENCH-MIM-112867

Note: Max Coolant Pressure 1015 PSI - Must use a minimum of a 5 micron coolant filter to prevent damage to the unit. Please refer to pages 73 - 76 for ER Series Collets and ER Tap Collets details.

ER40 OD Drill/Milling Unit

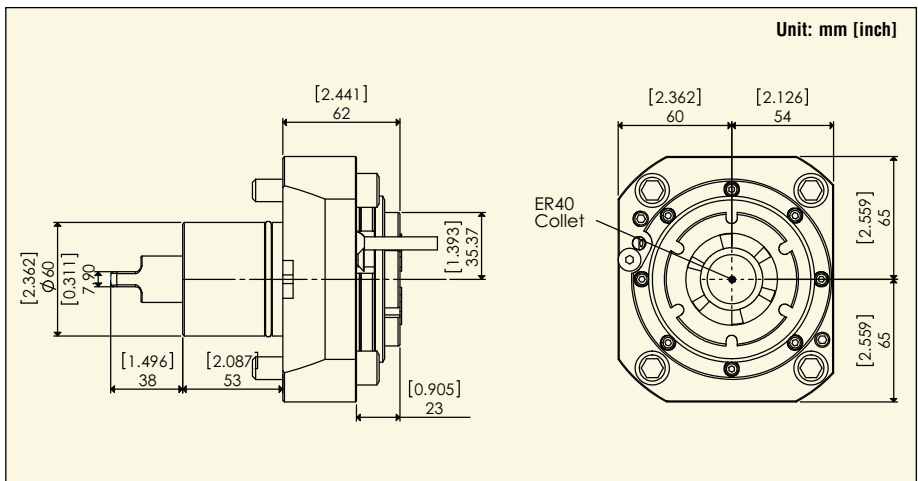
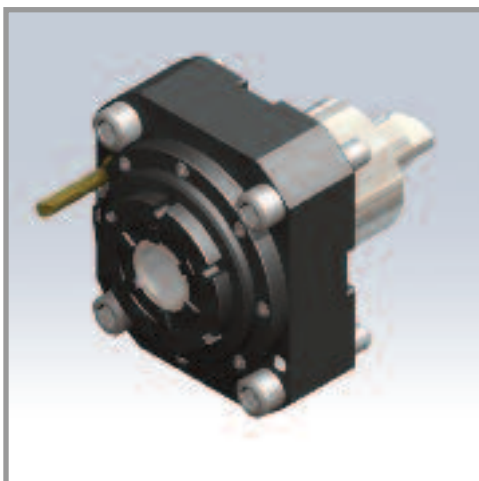
Part #: MNL12-ER40X-62



Clockwise Input



Clockwise Output



External or Internal Coolant	Radial/Axial	Max. RPM	Gear Ratio	Max. Torque Output	Collet Size	Replacement Nut	Coolant Nozzle	Spanner Wrench	
								for Spindle	for Nut
External	Radial	6000	1:1	29.5ft-lbs (40N-m)	ER40 (5/32" to 1")	NUT-ER40I	HI10337110	FK-10	WRENCH-ER40I

Please refer to pages 73 - 76 for ER Series Collets and ER Tap Collets details.



ER20 Offset OD Drill/Milling Unit

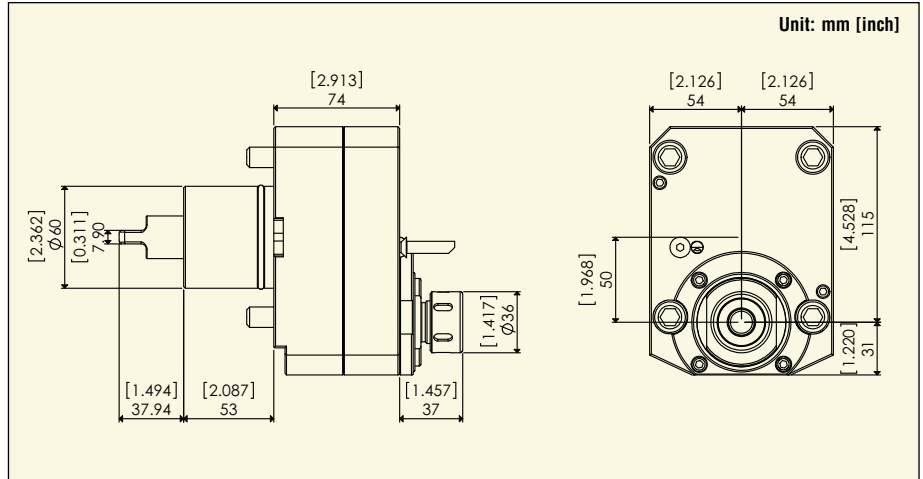
Part #: MNL12-ER20X-OFF

Mori Seiki Part #: T32225



Clockwise Input

Clockwise Output



External or Internal Coolant	Radial/Axial	Max. RPM	Gear Ratio	Max. Torque Output	Collet Size	Replacement Nut	Coolant Nozzle	Spanner Wrench	
								for Spindle	for Nut
External	Radial	6000	1:1	29.5ft-lbs (40N-m)	ER20 (1/16" to 1/2")	NA20	MT100-31090	SP-41	FK-5

Please refer to pages 73 - 76 for ER Series Collets and ER Tap Collets details.

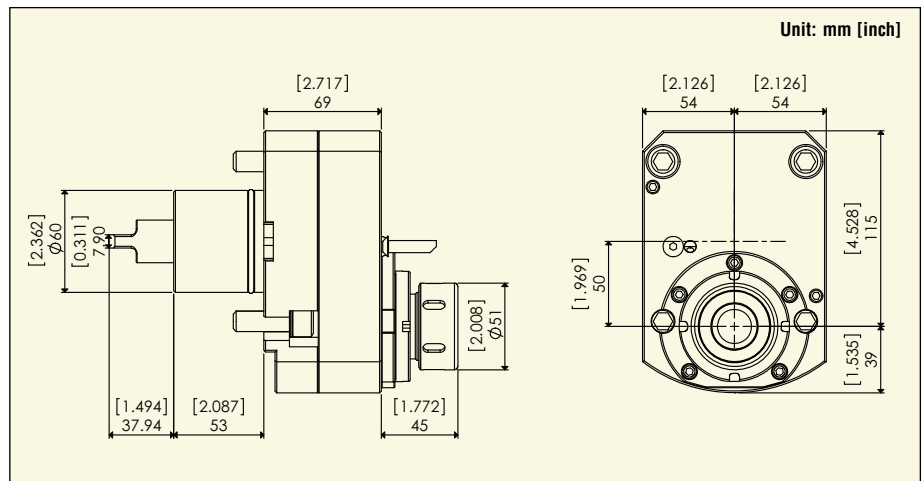
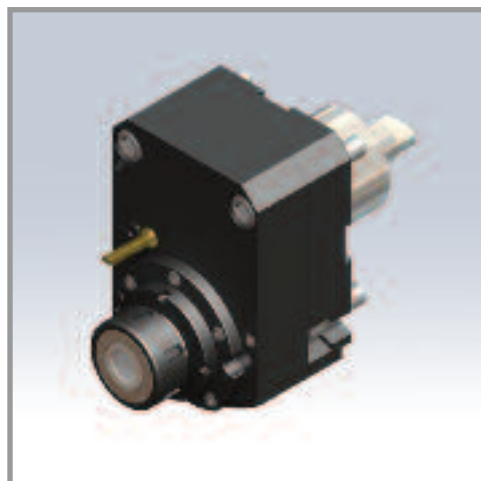
ER32 Offset OD Drill/Milling Unit

Part #: MNL12-ER32X-OFF



Clockwise Input

Clockwise Output



External or Internal Coolant	Radial/Axial	Max. RPM	Gear Ratio	Max. Torque Output	Collet Size	Replacement Nut	Coolant Nozzle	Spanner Wrench	
								for Spindle	for Nut
External	Radial	6000	1:1	22ft-lbs (30N-m)	ER32 (1/8" to 25/32")	NA32	MT100-31090	FK-9	FK-8

Please refer to pages 73 - 76 for ER Series Collets and ER Tap Collets details.



ER16 Offset OD Drill/Milling Unit 2 Output Y-Axis (Main)

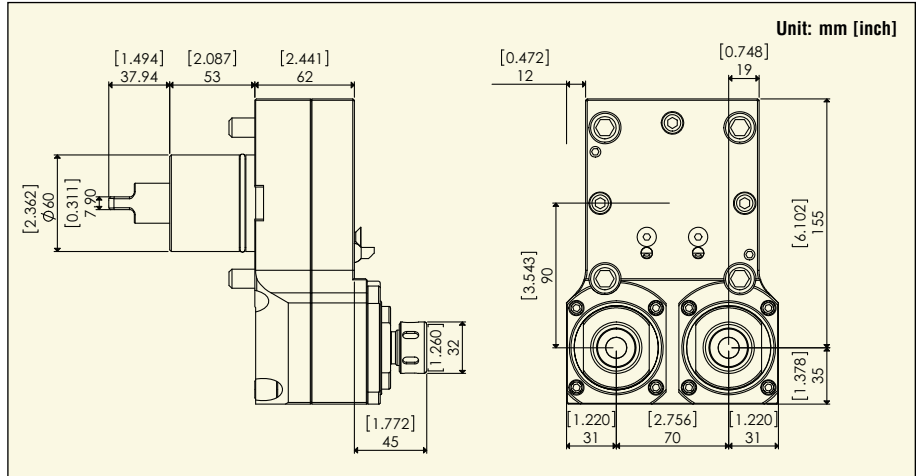
Part #: MNL12-ER16Y-OFF-MD Mori Seiki Part #: T32267



Clockwise Input



Clockwise Output



External or Internal Coolant	Radial/Axial	Max. RPM	Gear Ratio	Max. Torque Output	Collet Size	Replacement Nut	Coolant Nozzle	Spanner Wrench	
								for Spindle	for Nut
External	Radial	6000	1:1	29.5ft-lbs (40N-m)	ER16 (1/64" to 13/32")	NA16	HI10337110	SP-41	FK-4

Please refer to pages 73 - 76 for ER Series Collets and ER Tap Collets details.

ER25 OD Drill/Milling Unit, 2 Output X-Axis (Main & Sub)

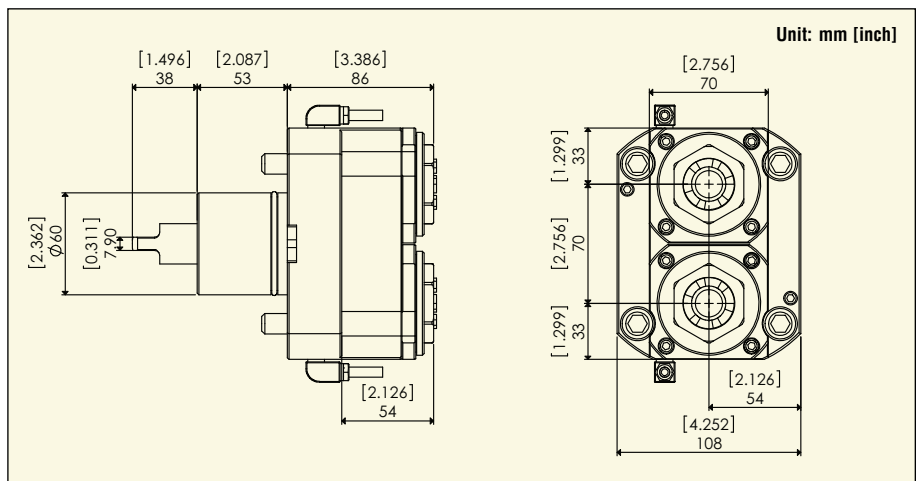
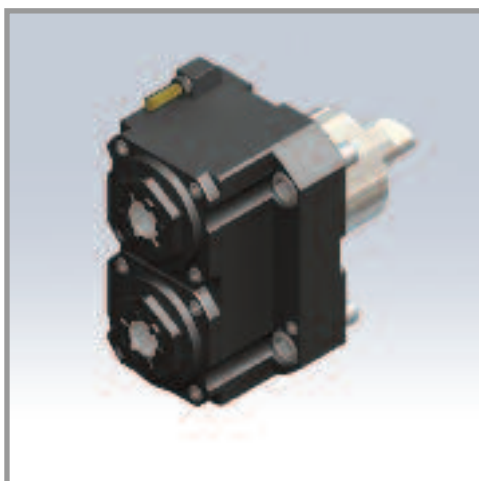
Part #: MNL12-ER25X-MSD



Clockwise Input



Clockwise Output



External or Internal Coolant	Radial/Axial	Max. RPM	Gear Ratio	Max. Torque Output	Collet Size	Replacement Nut	Coolant Nozzle	Spanner Wrench	
								for Spindle	for Nut
External	Radial	6000	1:1	7.37ft-lbs (10N-m)	ER25 (1/16" to 5/8")	NUT-ER25I	PAP-CU-6X4X100-SET	SP-41	WRENCH-ER25I

Please refer to pages 73 - 76 for ER Series Collets and ER Tap Collets details.



ER25 OD Drill/Milling Unit 2 Output Y-Axis (Main)

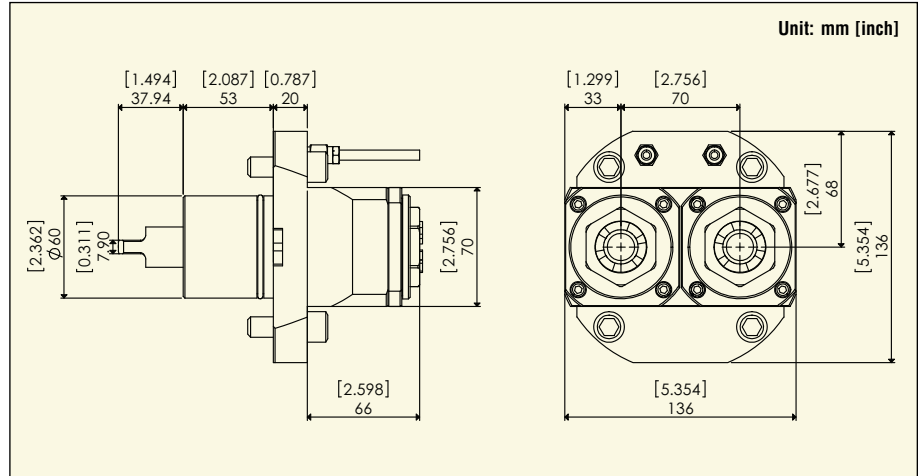
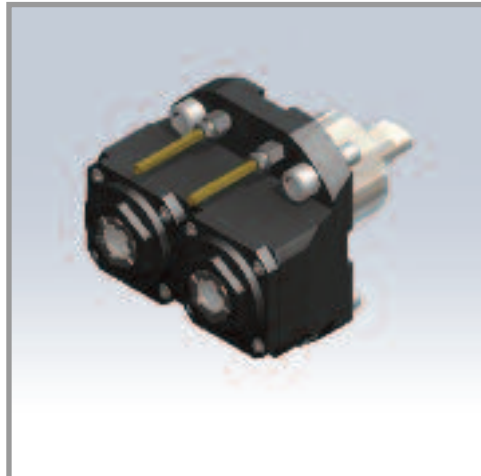
Part #: MNL12-ER25Y-MD



Clockwise Input

Clockwise Output

12 Station - Live Tool



External or Internal Coolant	Radial/Axial	Max. RPM	Gear Ratio	Max. Torque Output	Collet Size	Replacement Nut	Coolant Nozzle	Spanner Wrench for Nut	
								for Spindle	for Nut
External	Radial	6000	1:1	11ft-lbs (15N-m)	ER25 (1/16" to 5/8")	NUT-ER25I	PAP-CU-6X4X100-SET	SP-41	WRENCH-ER25I

Please refer to pages 73 - 76 for ER Series Collets and ER Tap Collets details.

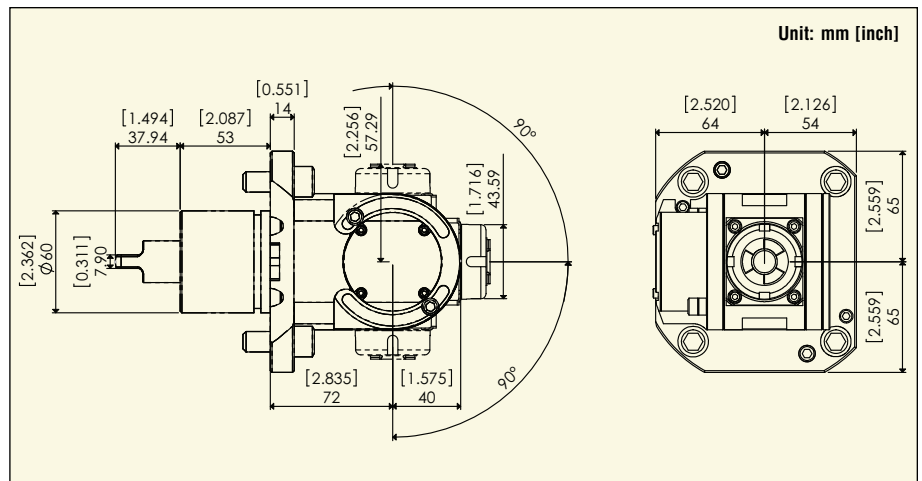
ER20 Adjustable Angle Drill/Milling Unit

Part #: MNL12-ER20-AD

Mori Seiki Part #: T32474

Clockwise Input

Clockwise Output



External or Internal Coolant	Radial/Axial	Max. RPM	Gear Ratio	Max. Torque Output	Center Height (mm)	Collet Size	Replacement Nut	Coolant Nozzle	Spanner Wrench for Nut	
									for Spindle	for Nut
External	X-Z	4000	1:1	29.5ft-lbs (40N-m)	72	ER20 (1/16" to 1/2")	NUT-ER20I	PAP-CU-6X4X160-SET	FK-7	WRENCH-ER20I

Please refer to pages 73 - 76 for ER Series Collets and ER Tap Collets details.



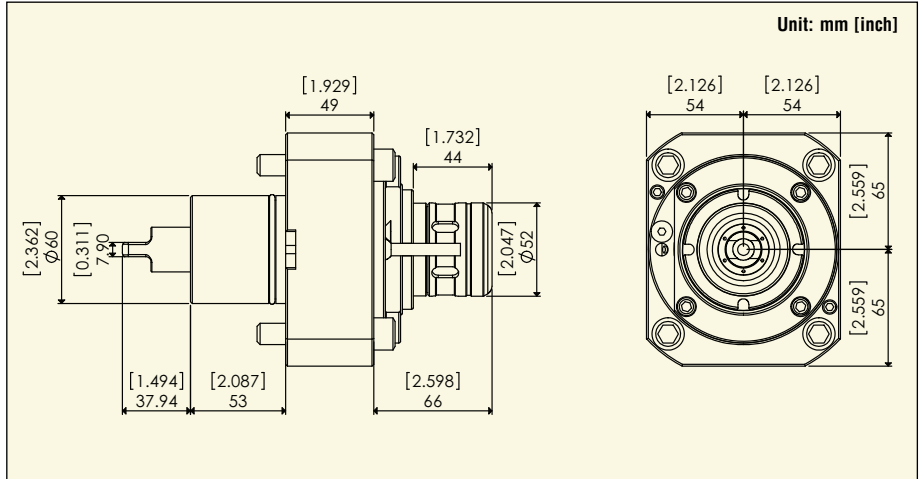
3/4" Milling Chuck Holder, Straight

Part #: MNL12-TRX75X

Mori Seiki Part #: T32219

Clockwise Input

Clockwise Output



External or Internal Coolant	Radial/Axial	Max. RPM	Gear Ratio	Max. Torque Output	Collet Size	Coolant Nozzle	Spanner Wrench	
							for Spindle	for Nut
External	Radial	3000	1:1	29.5ft-lbs (40N-m)	Milling Chuck 3/4"	HI10337110	FK-10	FK-8

Please refer to page 77 for Milling Chuck KM Collet details.

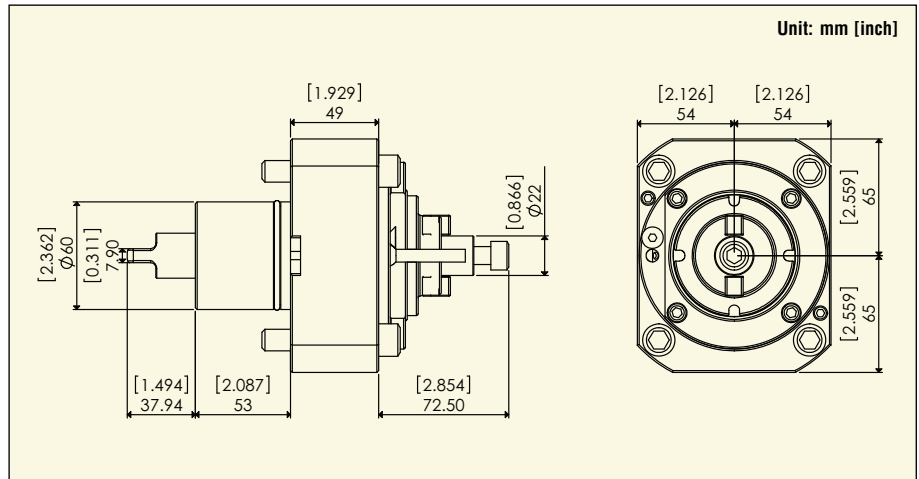
OD Shell Mill Unit with 22mm Mill Arbor

Part #: MNL12-SM22MMX

Mori Seiki Part #: T32268

Clockwise Input

Clockwise Output



External or Internal Coolant	Radial/Axial	Max. RPM	Gear Ratio	Max. Torque Output	Arbor Size	Coolant Nozzle	Spanner Wrench for Spindle
							External

Replacement Arbor Screws for Shell Mill Holders available. See details on page 77.



OD Shell Mill Unit with 1" Mill Arbor

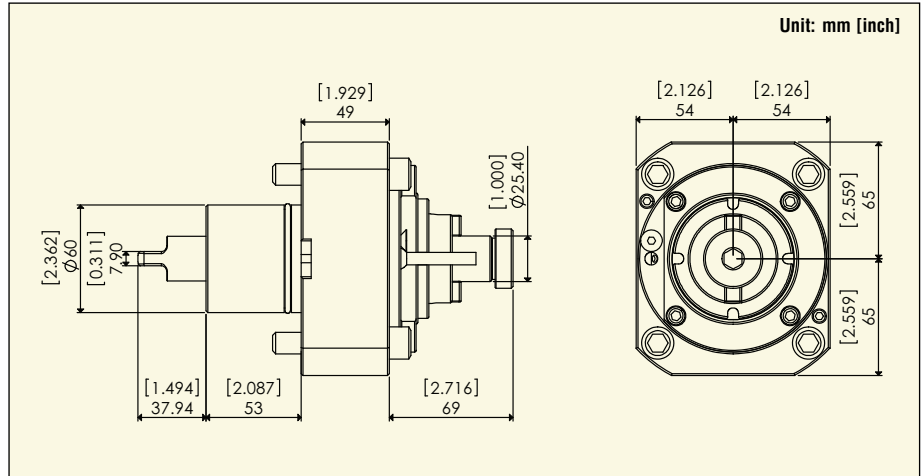
Part #: MNL12-SM10X

Mori Seiki Part #: T32217

Clockwise Input

Clockwise Output

12 Station - Live Tool



External or Internal Coolant	Radial/Axial	Max. RPM	Gear Ratio	Max. Torque Output	Arbor Size	Coolant Nozzle	Spanner Wrench for Spindle
External	Radial	3000	1:1	29.5ft-lbs (40N-m)	1"	HI10337110	FK-10

Replacement Arbor Screws for Shell Mill Holders available. See details on page 77.

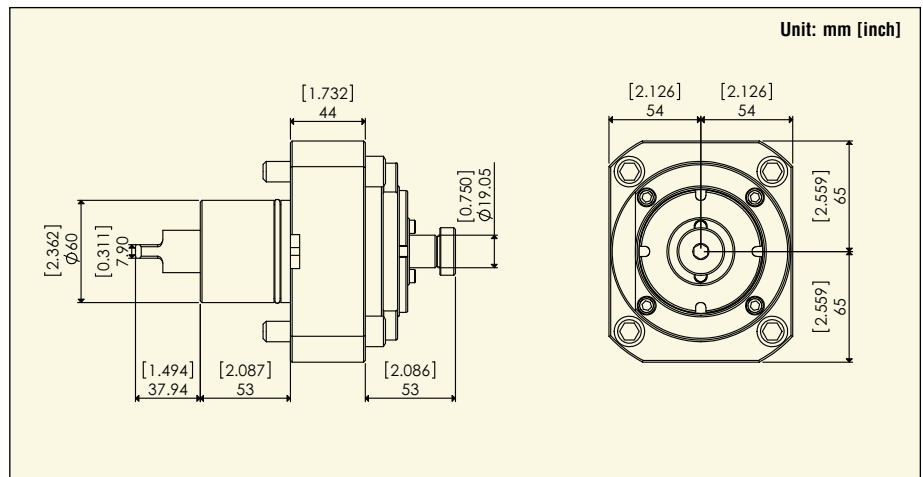
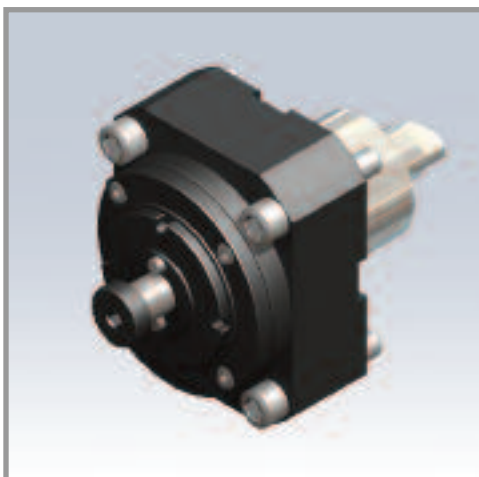
OD Shell Mill Unit with 3/4" Mill Arbor

Part #: MNL12-SM75X



Clockwise Input

Clockwise Output



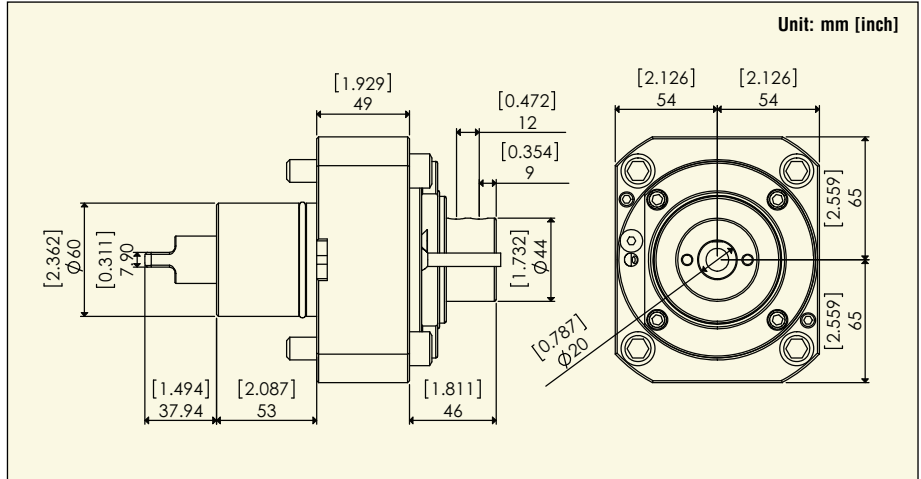
External or Internal Coolant	Radial/Axial	Max. RPM	Gear Ratio	Max. Torque Output	Arbor Size	Coolant Nozzle	Spanner Wrench for Spindle
External	Radial	6000	1:1	29.5ft-lbs (40N-m)	3/4"	HI10337110	FK-10

Replacement Arbor Screws for Shell Mill Holders available. See details on page 77.



20mm Weldon OD Drill/Milling Unit

Part #: MNL12-EMH20MMX Mori Seiki Part #: T32227

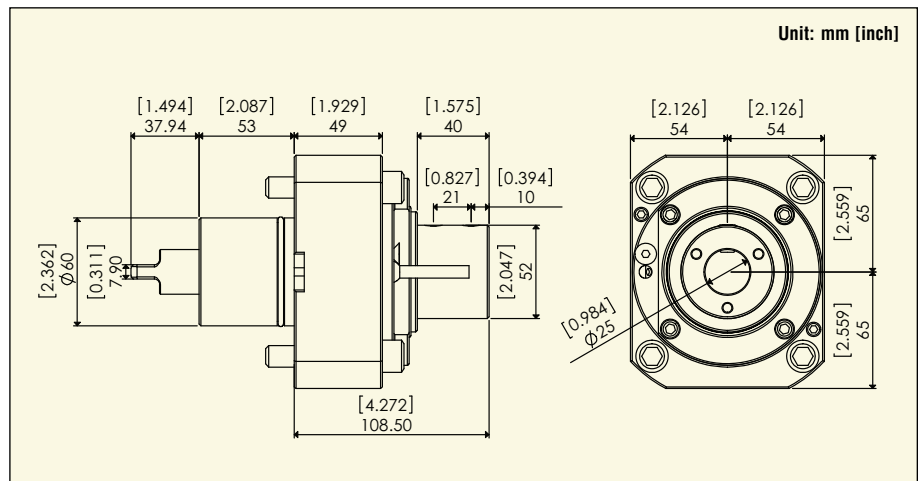


External or Internal Coolant	Radial/Axial	Max. RPM	Gear Ratio	Max. Torque Output	Center Height (mm)	Inner Dia.	Coolant Nozzle
External	Radial	3000	1:1	29.5ft-lbs (40N-m)	90	20mm	HI10337110

Replacement Set Screws for End Mill Holders available. See details on page 77.

25mm Weldon OD Drill/Milling Unit

Part #: MNL12-EMH25MMX Mori Seiki Part #: T32221



External or Internal Coolant	Radial/Axial	Max. RPM	Gear Ratio	Max. Torque Output	Center Height (mm)	Inner Dia.	Coolant Nozzle
External	Radial	3000	1:1	29.5ft-lbs (40N-m)	90	25mm	HI10337110

Replacement Set Screws for End Mill Holders available. See details on page 77.



1" Weldon OD Drill/Milling Unit

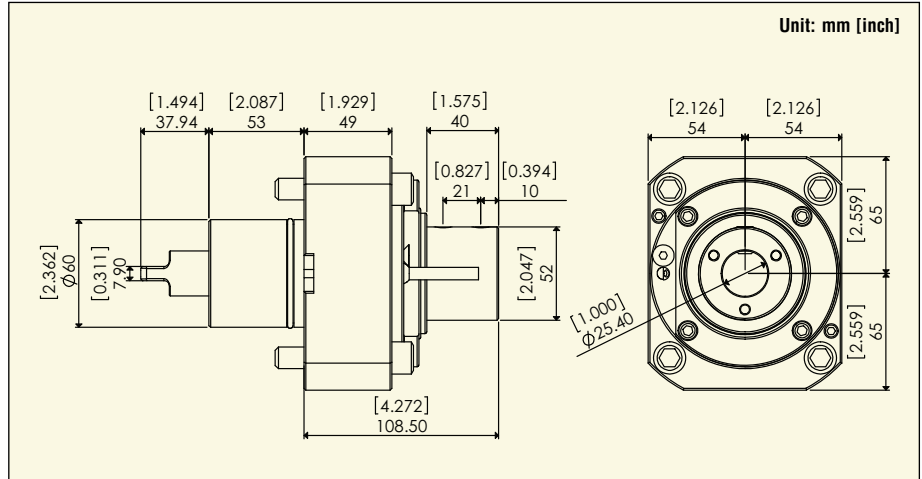
Part #: MNL12-EMH10X

Mori Seiki Part #: T32223

Clockwise Input

Clockwise Output

12 Station - Live Tool



External or Internal Coolant	Radial/Axial	Max. RPM	Gear Ratio	Max. Torque Output	Center Height (mm)	Inner Dia.	Coolant Nozzle
External	Radial	3000	1:1	29.5ft-lbs (40N-m)	90	1"	HI10337110

Replacement Set Screws for End Mill Holders available. See details on page 77.

Capto C4 OD Drill/Milling Unit

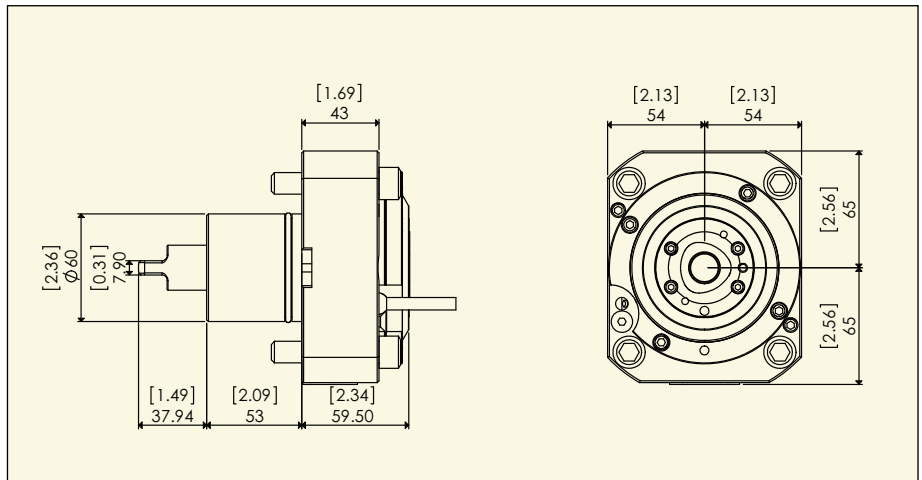
Part #: MNL12-CAPTO4X

Mori Seiki Part #: T32238



Clockwise Input

Clockwise Output



External or Internal Coolant	Radial/Axial	Max. RPM	Gear Ratio	Max. Torque Output	Capto Size	Coolant Nozzle	Torque Wrench
External	Radial	6000	1:1	29.5ft-lbs (40N-m)	C4	HI10337110	TQW-150 + TQW-CAPTO4(10)

"Cam-Lock, Quick-Change" type tool. Please refer to pages 70 - 72 for Capto Holders and to page 78 for Torque Wrench details.



Mimatic MI50 Quick Change System OD Drill/Milling Unit

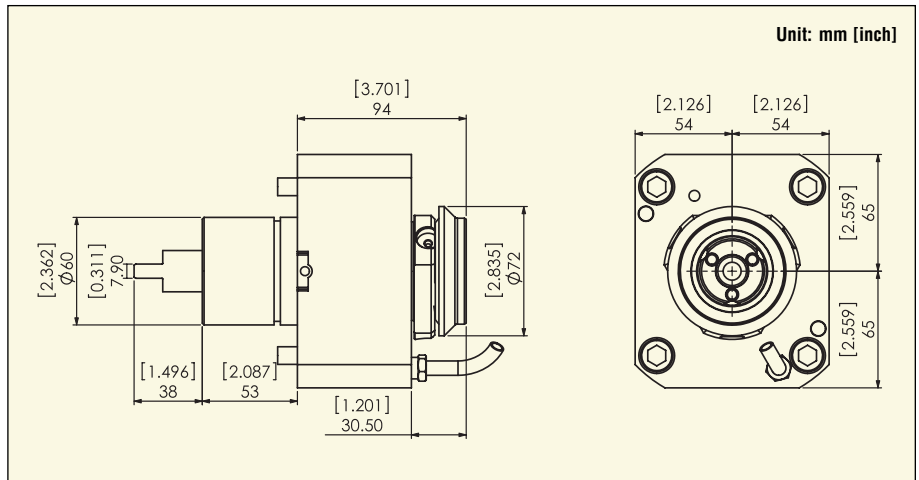
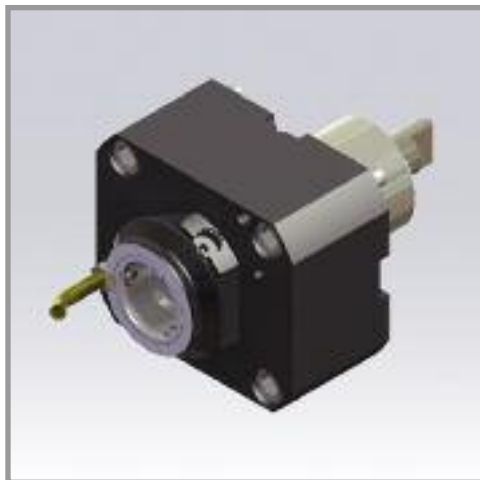
Part #: MNL12-MI50X-C-7MP-MI



Clockwise Input



Clockwise Output



External or Internal Coolant	Radial/Axial	Max. RPM	Gear Ratio	Max. Torque Output	Max. Pressure (PSI)	MI Attachment Size	Replacement Nut	Spanner Wrench for Nut	
Internal	Radial	6500	1:1	(70N-m)	1000	MI50	n/a	n/a	WRENCH-MIM-170419

Note: Max Coolant Pressure 1015 PSI - Must use a minimum of a 5 micron coolant filter to prevent damage to the unit. Please refer to pages 67 - 69 for Mimatic MI attachments.

ER32 Face Drill/Milling Unit

Part #: MNL12-ER32Z

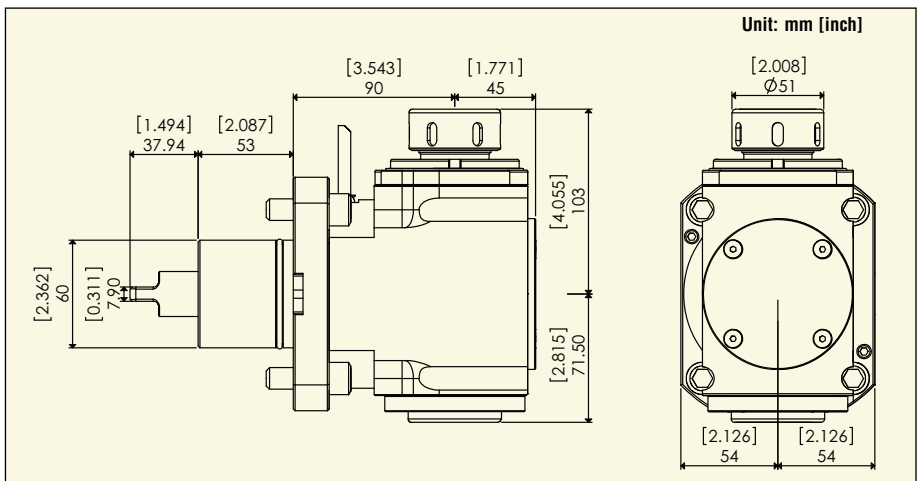
Mori Seiki Part #: T32207



Counter Clockwise Input



Clockwise Output



External or Internal Coolant	Radial/Axial	Max. RPM	Gear Ratio	Max. Torque Output	Center Height (mm)	Collet Size	Replacement Nut	Coolant Nozzle	Spanner Wrench for Nut	
External	Axial	6000	1:1	29.5ft-lbs (40N-m)	90	ER32 (1/8" to 25/32")	NA32	HI10337110	FK-10	FK-8

Please refer to pages 73 - 76 for ER Series Collets and ER Tap Collets details.

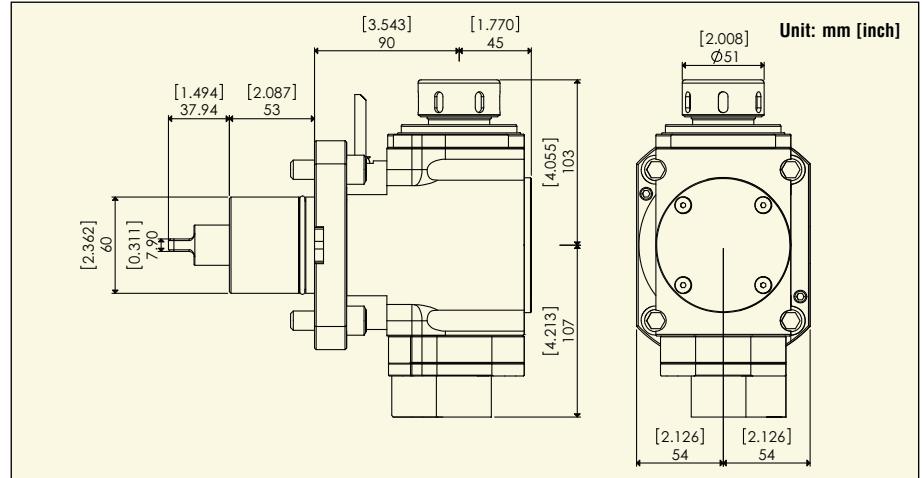


ER32 Face Drill/Milling Unit

Part #: MNL12-ER32Z-C-7MP Mori Seiki Part #: T32233



12 Station - Live Tool

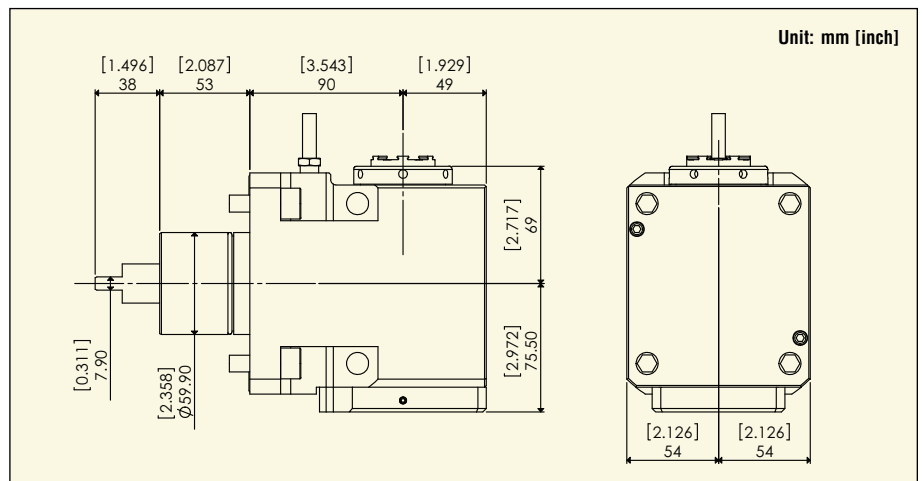
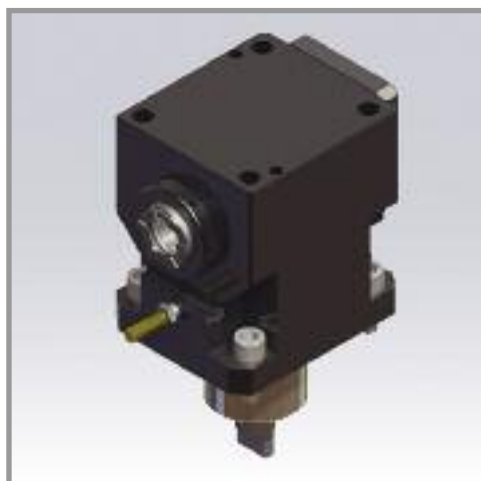


External or Internal Coolant	Radial/Axial	Max. RPM	Gear Ratio	Max. Torque Output	Max. Pressure (PSI)	Center Height (mm)	Collet Size	Replacement Nut	Coolant Nozzle	Spanner Wrench	
										for Spindle	for Nut
Internal	Axial	6000	1:1	29.5ft-lbs (40N-m)	1000	90	ER32 (1/8" to 25/32")	NA32	HI10337110	FK-10	FK-8

Note: Max Coolant Pressure 1015 PSI - Must use a minimum of a 5 micron coolant filter to prevent damage to the unit. Please refer to pages 73 - 76 for ER Series Collets and ER Tap Collets details.

ER32 Face Drill/Milling Unit

Part #: MNL12-ER32Z-C-7MP-MI



External or Internal Coolant	Radial/Axial	Max. RPM	Gear Ratio	Max. Torque Output	Max. Pressure (PSI)	Collet Size	Replacement Nut	Spanner Wrench	
								for Spindle	for Nut
Internal	Axial	6500	1:1	(70N-m)	1000	ER32 (1/8" to 25/32")	NUT-ER32I	WRENCH-MIM-107642	WRENCH-ER32I

Note: Max Coolant Pressure 1015 PSI - Must use a minimum of a 5 micron coolant filter to prevent damage to the unit. Please refer to pages 73 - 76 for ER Series Collets and ER Tap Collets details.



ER40 Face Drill/Milling Unit

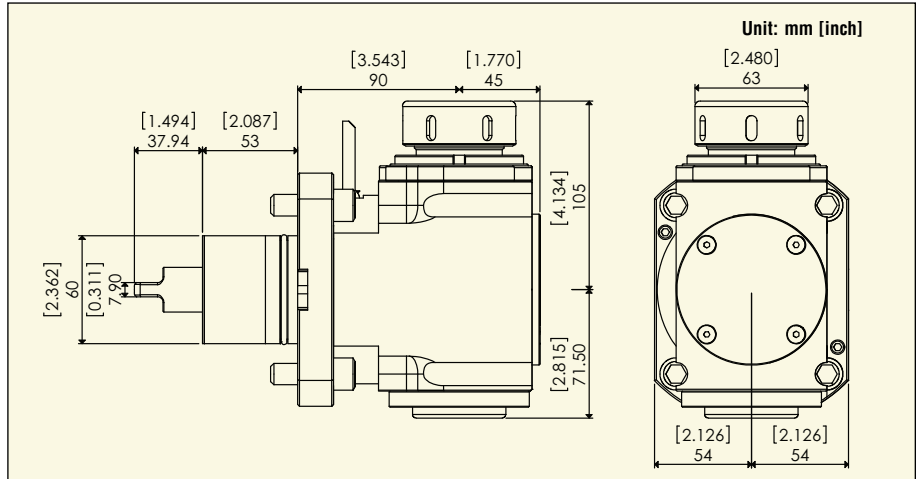
Part #: MNL12-ER40Z

Mori Seiki Part #: T32214



Counter Clockwise Input

Clockwise Output



External or Internal Coolant	Radial/Axial	Max. RPM	Gear Ratio	Max. Torque Output	Center Height (mm)	Collet Size	Replacement Nut	Coolant Nozzle	Spanner Wrench	
									for Spindle	for Nut
External	Axial	6000	1:1	29.5ft-lbs (40N-m)	90	ER40 (5/32" to 1")	NA40	HI10337110	FK-10	FK-9

Please refer to pages 73 - 76 for ER Series Collets and ER Tap Collets details.

ER40 Face Drill/Milling Unit

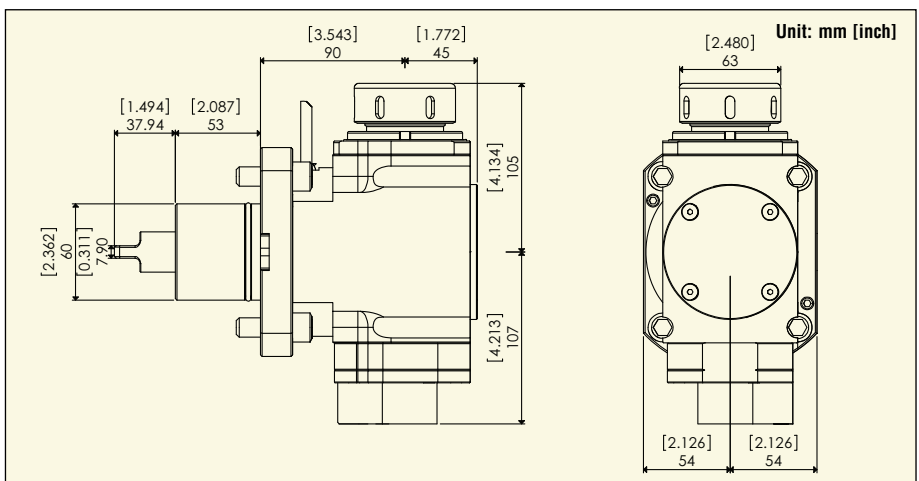
Part #: MNL12-ER40Z-G-7MP

Mori Seiki Part #: T32235



Counter Clockwise Input

Clockwise Output



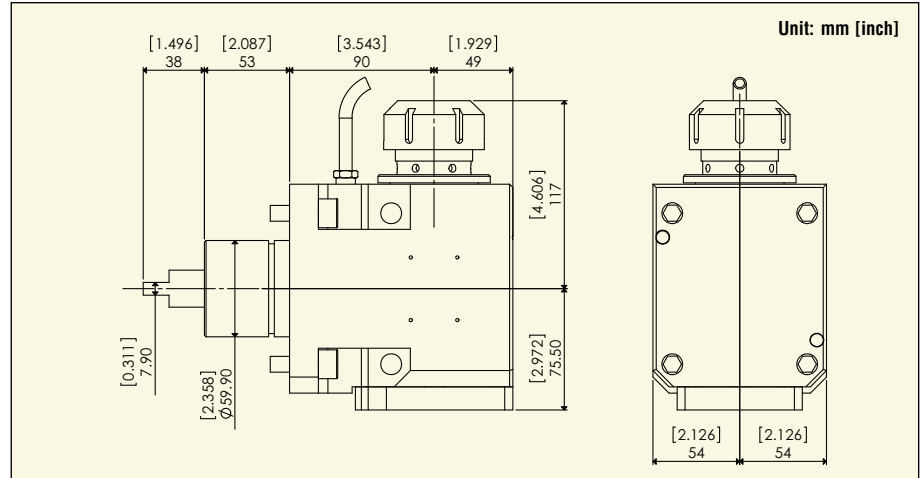
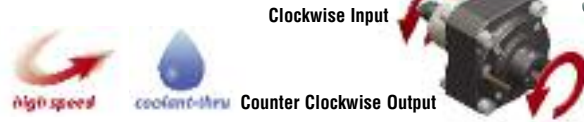
External or Internal Coolant	Radial/Axial	Max. RPM	Gear Ratio	Max. Torque Output	Max. Pressure (PSI)	Center Height (mm)	Collet Size	Replacement Nut	Coolant Nozzle	Spanner Wrench	
										for Spindle	for Nut
Internal	Axial	6000	1:1	29.5ft-lbs (40N-m)	1000	90	ER40 (5/32" to 1")	NA40	HI10337110	FK-10	FK-9

Note: Max Coolant Pressure 1015 PSI - Must use a minimum of a 5 micron coolant filter to prevent damage to the unit. Please refer to pages 73 - 76 for ER Series Collets and ER Tap Collets details.



ER40 Face Drill/Milling Unit

Part #: MNL12-ER40Z-C-7MP-MI

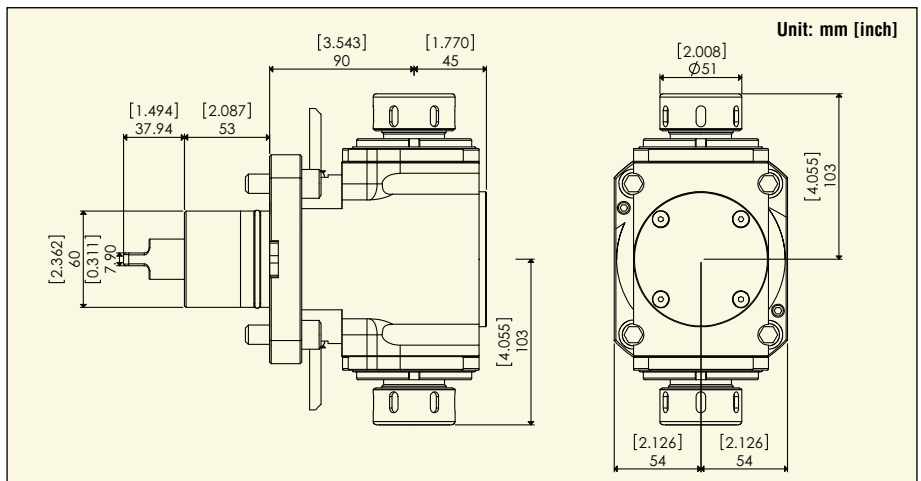
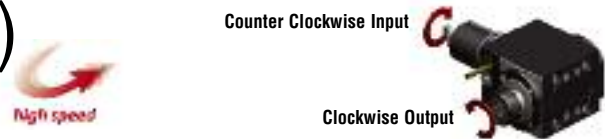


External or Internal Coolant	Radial/Axial	Max. RPM	Gear Ratio	Max. Torque Output	Max. Pressure (PSI)	Collet Size	Replacement Nut	Spanner Wrench	
								for Spindle	for Nut
Internal	Axial	6500	1:1	(70N-m)	1000	ER40 (5/32" to 1")	NUT-MIM-ER40	WRENCH-MIM-107566	WRENCH-MIM-112867

Note: Max Coolant Pressure 1015 PSI - Must use a minimum of a 5 micron coolant filter to prevent damage to the unit. Please refer to pages 73 - 76 for ER Series Collets and ER Tap Collets details.

ER32 Face Drill/Milling Unit 2 Output (Main & Sub)

Part #: MNL12-ER32Z-MS Mori Seiki Part #: T32216



External or Internal Coolant	Radial/Axial	Max. RPM	Gear Ratio	Max. Torque Output	Center Height (mm)	Collet Size	Replacement Nut	Coolant Nozzle	Spanner Wrench	
									for Spindle	for Nut
External	Z-Z	6000	1:1	29.5ft-lbs (40N-m)	90	ER32 (1/8" to 25/32")	NA32	HI10337110	FK-10	FK-8

Please refer to pages 73 - 76 for ER Series Collets and ER Tap Collets details.



ER40 Face Drill/Milling Unit 2 Output (Main & Sub)

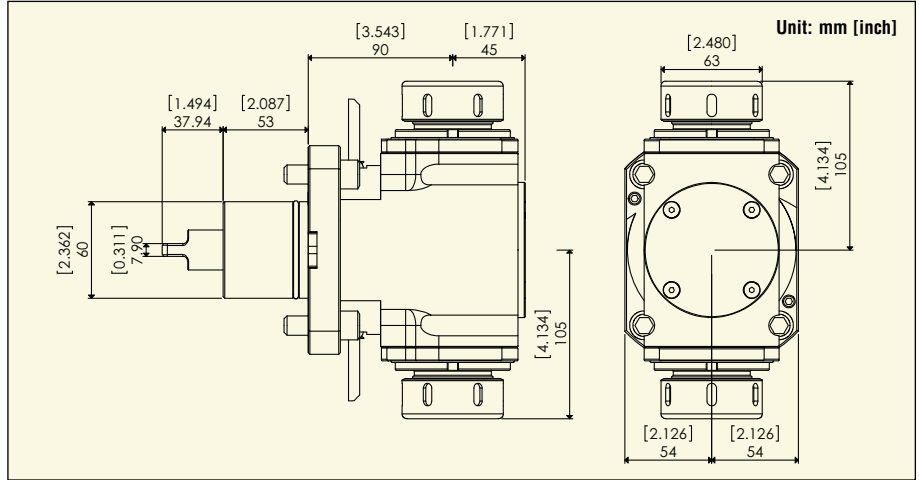
Part #: MNL12-ER40Z-MS

Mori Seiki Part #: T32248



Counter Clockwise Input

Clockwise Output



External or Internal Coolant	Radial/Axial	Max. RPM	Gear Ratio	Max. Torque Output	Center Height (mm)	Collet Size	Replacement Nut	Coolant Nozzle	Spanner Wrench	
									for Spindle	for Nut
External	Z-Z	6000	1:1	29.5ft-lbs (40N-m)	90	ER40 (5/32" to 1")	NA40	HI10337110	FK-10	FK-8

Please refer to pages 73 - 76 for ER Series Collets and ER Tap Collets details.

ER16 Face Drill/Milling Unit 2 Output (Main)

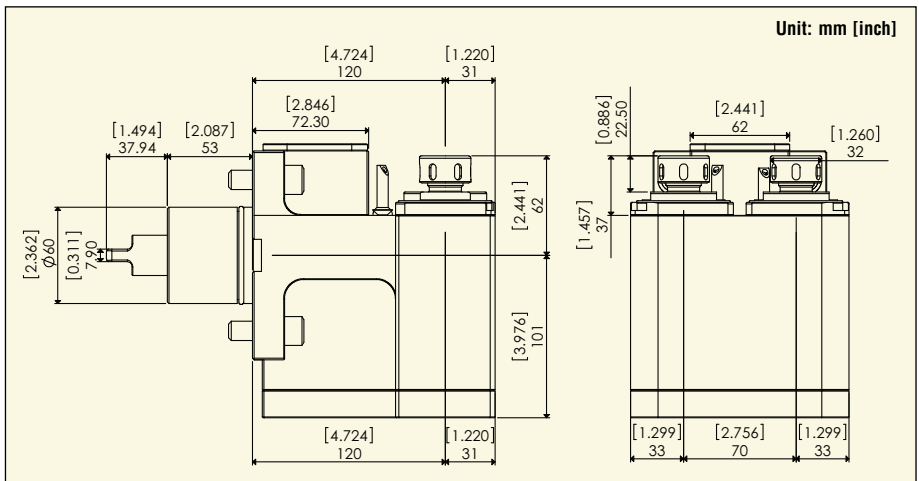
Part #: MNL12-ER16Z-MD

Mori Seiki Part #: T32264



Counter Clockwise Input

Clockwise Output



External or Internal Coolant	Radial/Axial	Max. RPM	Gear Ratio	Max. Torque Output	Center Height (mm)	Collet Size	Replacement Nut	Coolant Nozzle	Spanner Wrench	
									for Spindle	for Nut
External	Axial	6000	1:1	29.5ft-lbs (40N-m)	120	ER16 (1/64" to 13/32")	NA16	MT100-30140	SP-41	FK-4

Please refer to pages 73 - 76 for ER Series Collets and ER Tap Collets details.



ER25 Face Drill/Milling Unit 2 Output (Main)

Part #: MNL12-ER25Z-MD

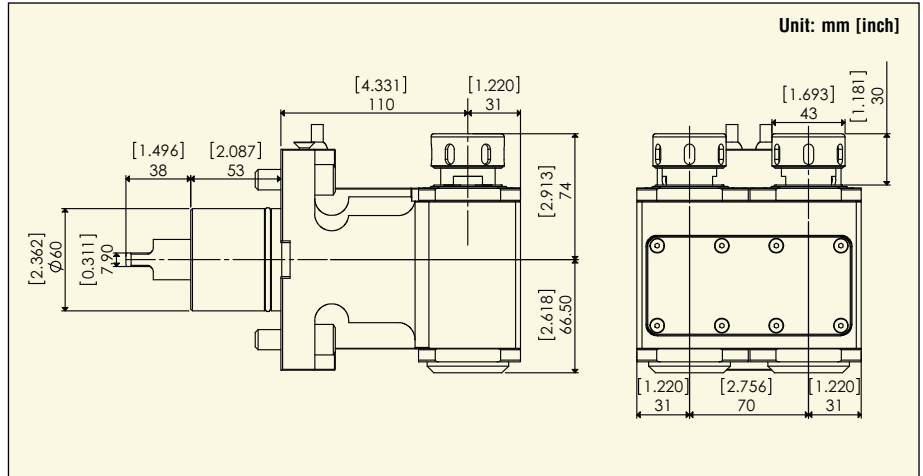
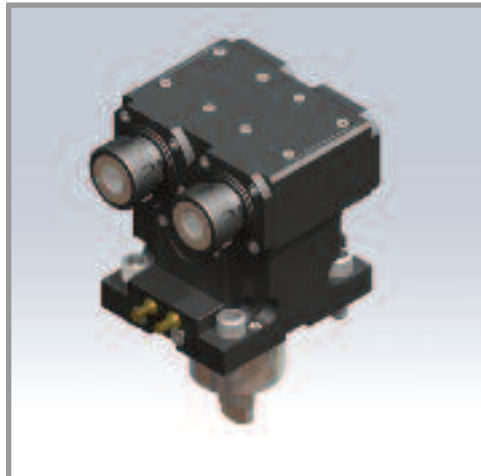


Counter Clockwise Input

Clockwise Output



12 Station - Live Tool



External or Internal Coolant	Radial/Axial	Max. RPM	Gear Ratio	Max. Torque Output	Collet Size	Replacement Nut	Coolant Nozzle	Spanner Wrench	
								for Spindle	for Nut
External	Axial	6000	1:1	7.37ft-lbs (10N-m)	ER25 (1/16" to 5/8")	NA25	MYA01-12000	SP-27	FK-6

Please refer to pages 73 - 76 for ER Series Collets and ER Tap Collets details.

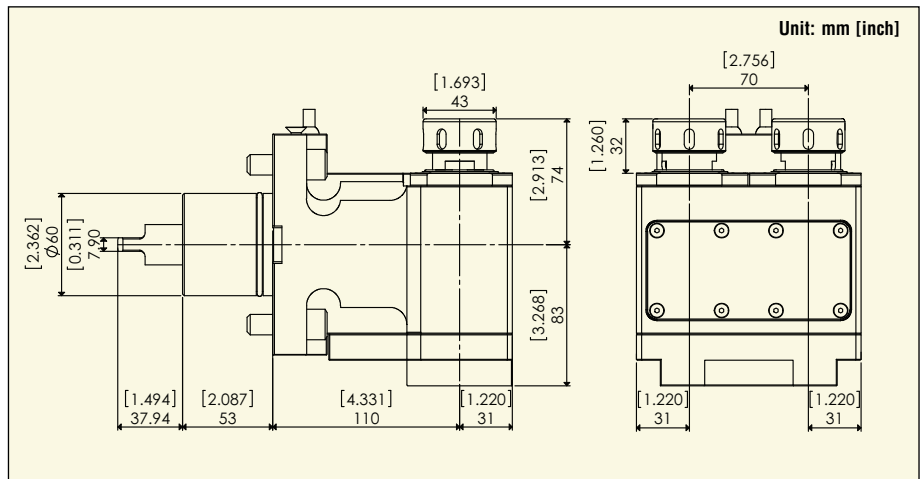
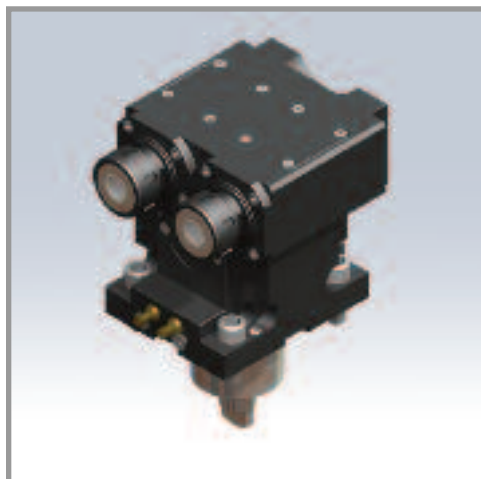
ER25 Face Drill/Milling Unit 2 Output (Main)

Part #: MNL12-ER25Z-MD-C-7MP



Counter Clockwise Input

Clockwise Output



External or Internal Coolant	Radial/Axial	Max. RPM	Gear Ratio	Max. Torque Output	Max. Pressure (PSI)	Collet Size	Replacement Nut	Coolant Nozzle	Spanner Wrench	
									for Spindle	for Nut
Internal	Axial	6000	1:1	11ft-lbs (15N-m)	1000	ER25 (1/16" to 5/8")	NA25	MYA01-12000	SP-27	FK-6

Note: Max Coolant Pressure 1015 PSI - Must use a minimum of a 5 micron coolant filter to prevent damage to the unit. Please refer to pages 73 - 76 for ER Series Collets and ER Tap Collets details.



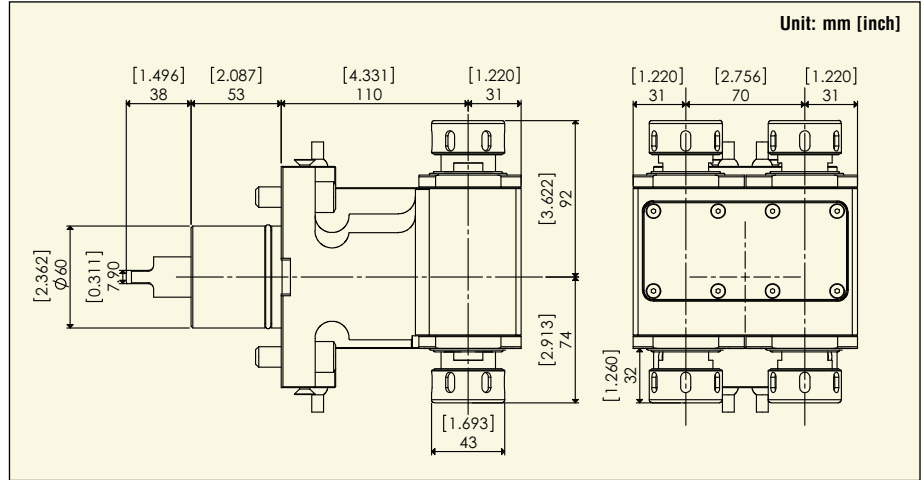
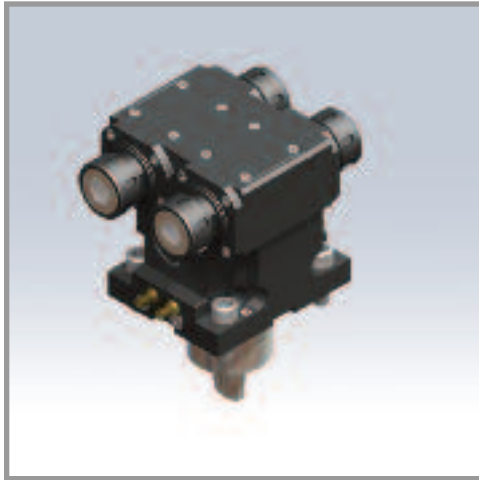
ER25 Face Drill/Milling Unit 4 Output (Main & Sub)

Part #: MNL12-ER25Z-MSD



Counter Clockwise Input

Clockwise Output



External or Internal Coolant	Radial/Axial	Max. RPM	Gear Ratio	Max. Torque Output	Collet Size	Replacement Nut	Coolant Nozzle	Spanner Wrench	
								for Spindle	for Nut
External	Axial	6000	1:1	7.37ft-lbs (10N-m)	ER25 (1/16" to 5/8")	NA25	MYA01-12000	SP-27	FK-6

Please refer to pages 73 - 76 for ER Series Collets and ER Tap Collets details.

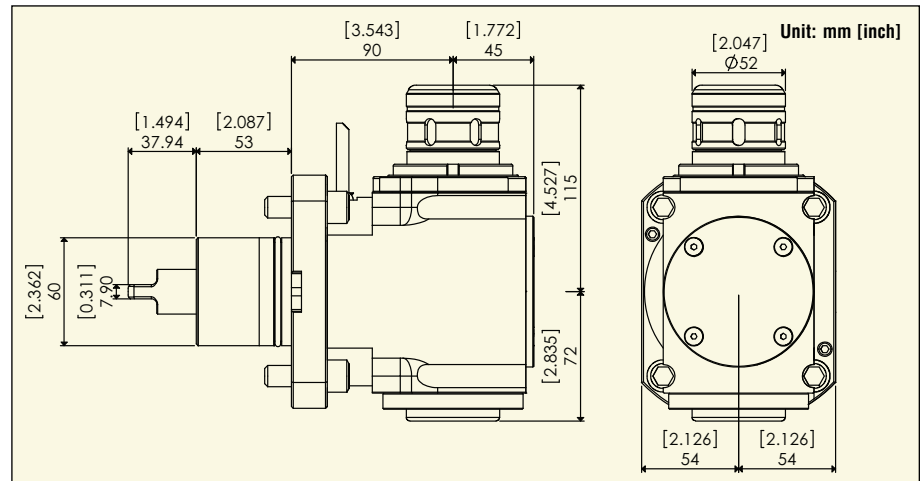
3/4" Face Milling Chuck Holder

Part #: MNL12-TRX75Z

Mori Seiki Part #: T32220

Counter Clockwise Input

Clockwise Output



External or Internal Coolant	Radial/Axial	Max. RPM	Gear Ratio	Max. Torque Output	Center Height (mm)	Collet Size	Coolant Nozzle	Spanner Wrench	
								for Spindle	for Nut
External	Axial	3000	1:1	29.5ft-lbs (40N-m)	90	Milling Chuck 3/4"	HI10337110	FK-10	FK-8

Please refer to page 77 for Milling Chuck KM Collet details.



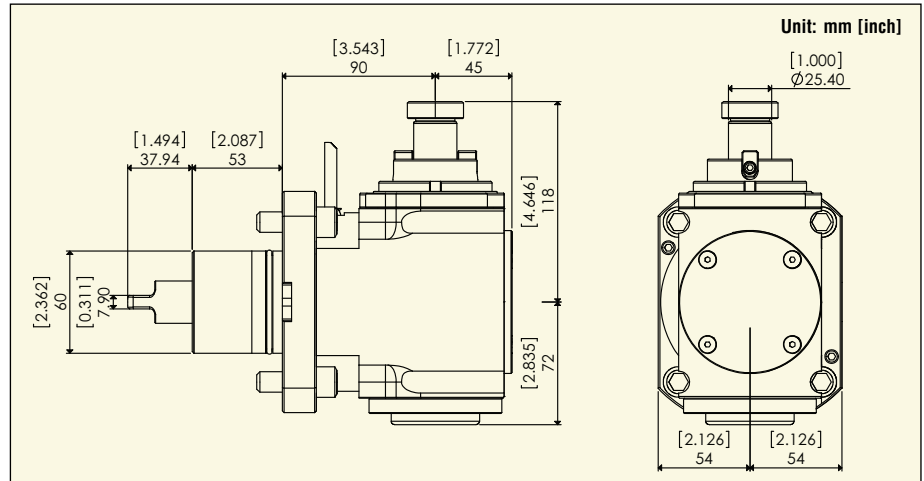
Face Shell Milling Unit with 1" Mill Arbor

Part #: MNL12-SM10Z

Mori Seiki Part #: T32226

Counter Clockwise Input

Clockwise Output



External or Internal Coolant	Radial/Axial	Max. RPM	Gear Ratio	Max. Torque Output	Center Height (mm)	Arbor Size	Coolant Nozzle	Spanner Wrench for Spindle
External	Axial	3000	1:1	29.5ft-lbs (40N-m)	90	1"	HI10337110	FK-10

Replacement Arbor Screws for Shell Mill Holders available. See details on page 77.

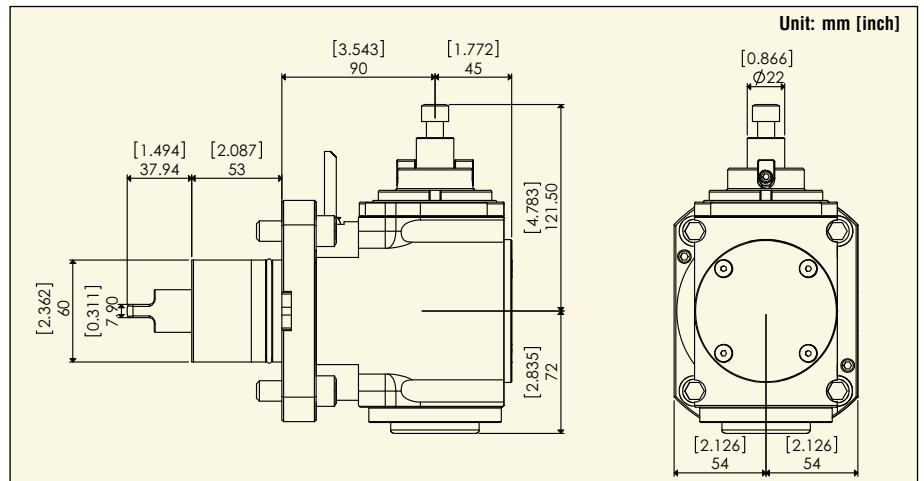
Face Shell Milling Unit with 22mm Mill Arbor

Part #: MNL12-SM22MMZ

Mori Seiki Part #: T32269

Counter Clockwise Input

Clockwise Output



External or Internal Coolant	Radial/Axial	Max. RPM	Gear Ratio	Max. Torque Output	Center Height (mm)	Arbor Size	Coolant Nozzle	Spanner Wrench for Spindle
External	Axial	3000	1:1	29.5ft-lbs (40N-m)	90	22mm	HI10337110	FK-10

Replacement Arbor Screws for Shell Mill Holders available. See details on page 77.



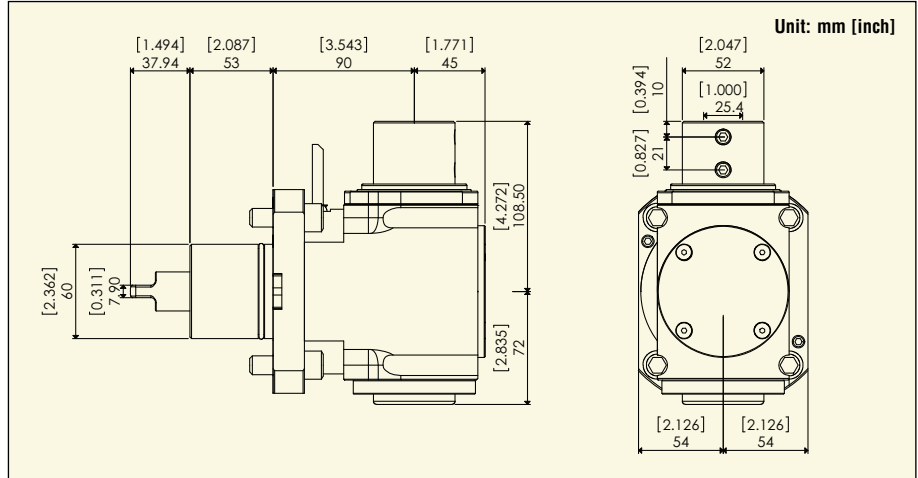
1" Weldon Face Drill/Milling Unit

Part #: MNL12-EMH10Z

Mori Seiki Part #: T32224

Counter Clockwise Input

Clockwise Output



External or Internal Coolant	Radial/Axial	Max. RPM	Gear Ratio	Max. Torque Output	Inner Dia.	Coolant Nozzle
External	Axial	3000	1:1	29.5ft-lbs (40N-m)	1"	HI10337110

Replacement Set Screws for End Mill Holders available. See details on page 77.

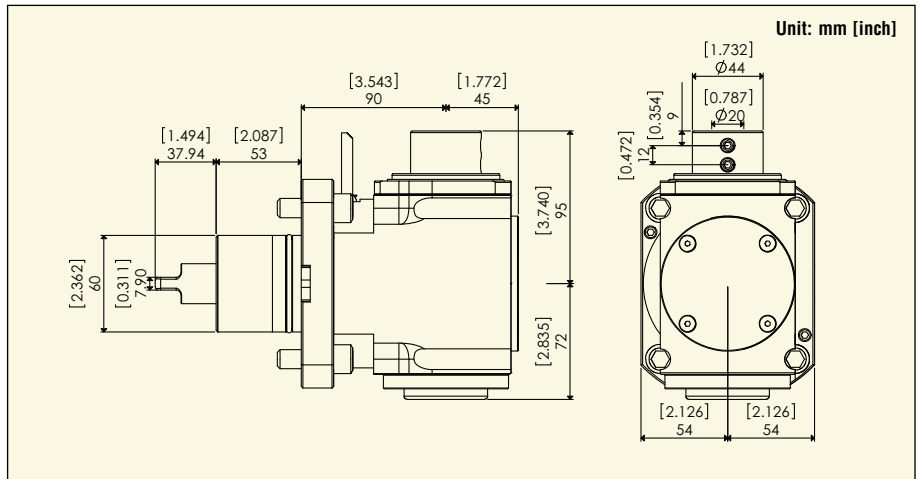
20mm Weldon Face Drill/Milling Unit

Part #: MNL12-EMH20MMZ

Mori Seiki Part #: T32228

Counter Clockwise Input

Clockwise Output



External or Internal Coolant	Radial/Axial	Max. RPM	Gear Ratio	Max. Torque Output	Inner Dia.	Coolant Nozzle
External	Axial	3000	1:1	29.5ft-lbs (40N-m)	20mm	HI10337110

Replacement Set Screws for End Mill Holders available. See details on page 77.



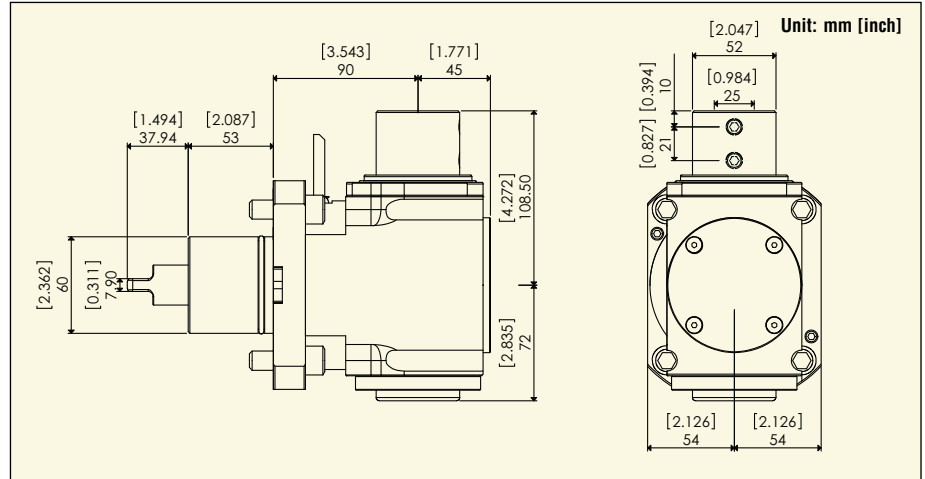
25mm Weldon Face Drill/Milling Unit

Part #: MNL12-EMH25MMZ Mori Seiki Part #: T32222

Counter Clockwise Input

Clockwise Output

12 Station - Live Tool



External or Internal Coolant	Radial/Axial	Max. RPM	Gear Ratio	Max. Torque Output	Inner Dia.	Coolant Nozzle
External	Axial	3000	1:1	29.5ft-lbs (40N-m)	25mm	HI10337110

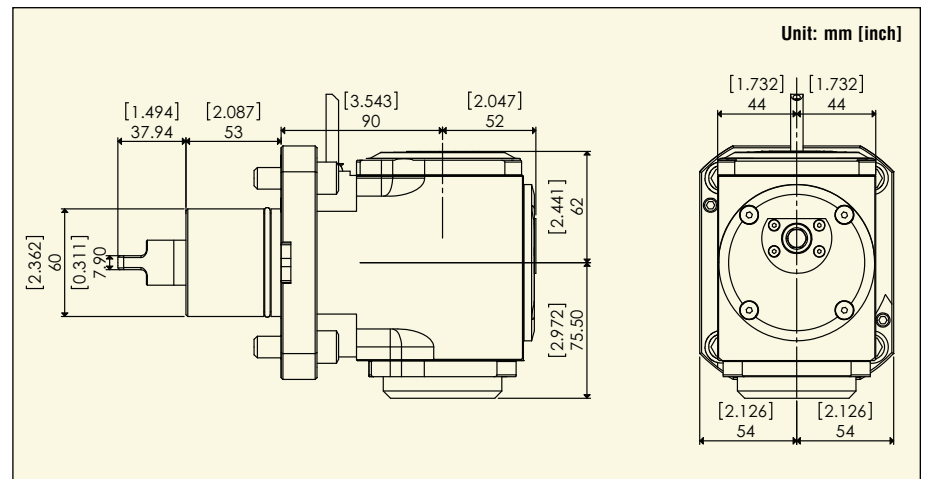
Replacement Set Screws for End Mill Holders available. See details on page 77.

Capto C4 Face Drill/Milling Unit

Part #: MNL12-CAPTO4Z-HS Mori Seiki Part #: T32239

Counter Clockwise Input

Clockwise Output



External or Internal Coolant	Radial/Axial	Max. RPM	Gear Ratio	Max. Torque Output	Center Height (mm)	Capto Size	Coolant Nozzle	Torque Wrench
External	Axial	6000	1:1	29.5ft-lbs (40N-m)	90	C4	HI10337110	TQW-150 + TQW-CAPTO4(10)

"Cam-Lock, Quick-Change" type tool. Please refer to pages 70 - 72 for Capto Holders and to page 78 for Torque Wrench details.



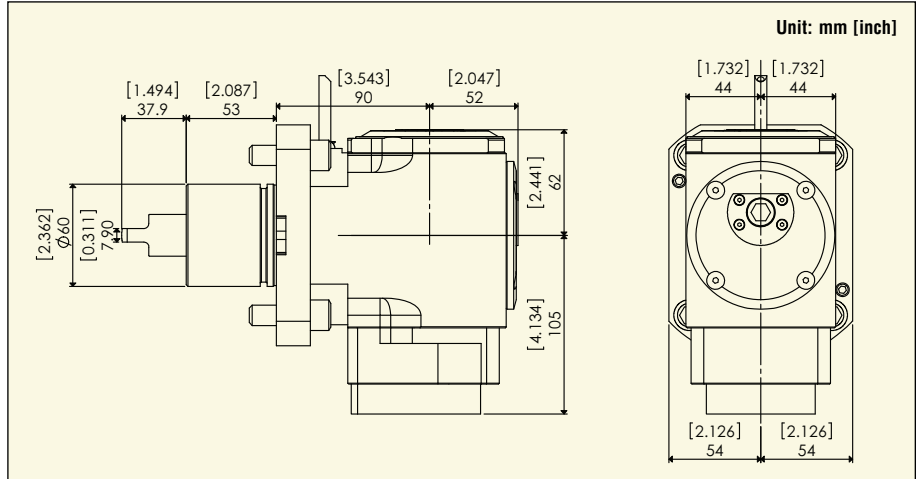
Capto C4 Face Drill/Milling Unit

Part #: MNL12-CAPTO4Z-C-2MP Mori Seiki Part #: 2T3200266



Counter Clockwise Input

Clockwise Output



External or Internal Coolant	Radial/Axial	Max. RPM	Gear Ratio	Max. Torque Output	Max. Pressure (PSI)	Center Height (mm)	Capto Size	Coolant Nozzle	Torque Wrench
Internal	Axial	3000	1:1	29.5ft-lbs (40N-m)	1000	90	C4	HI10337110	TQW-150 + TQW-CAPTO4(10)

Note: Max. coolant pressure 290 PSI - Must use a minimum of a 5 micron coolant filter to prevent damage to the unit. "Cam-Lock, Quick-Change" type tool. Please refer to pages 70 - 72 for Capto Holders and to page 78 for Torque Wrench details.

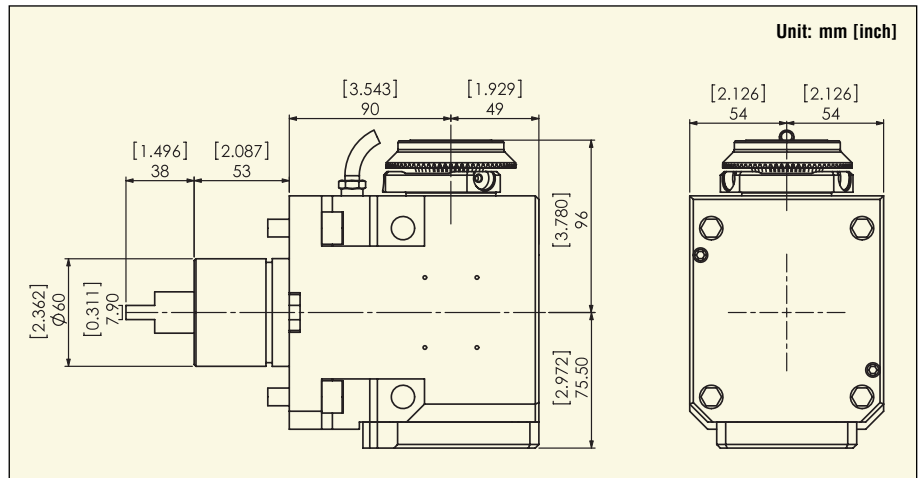
Mimatic MI50 Quick Change System Face Drill/Milling Unit

Part #: MNL12-MI50Z-C-7MP-MI



Clockwise Input

Counter Clockwise Output



External or Internal Coolant	Radial/Axial	Max. RPM	Gear Ratio	Max. Torque Output	Max. Pressure (PSI)	MI Attachment Size	Replacement Nut	Spanner Wrench for Spindle for Nut	
Internal	Axial	6500	1:1	(70N-m)	1000	MI50	n/a	n/a	WRENCH-MIM-170419

Note: Max Coolant Pressure 1015 PSI - Must use a minimum of a 5 micron coolant filter to prevent damage to the unit. Please refer to pages 67 - 69 for Mimatic MI attachments.



Mimatic MI50 Quick Change System

Face Drill/Milling Unit, 2 Output (Main & Sub)

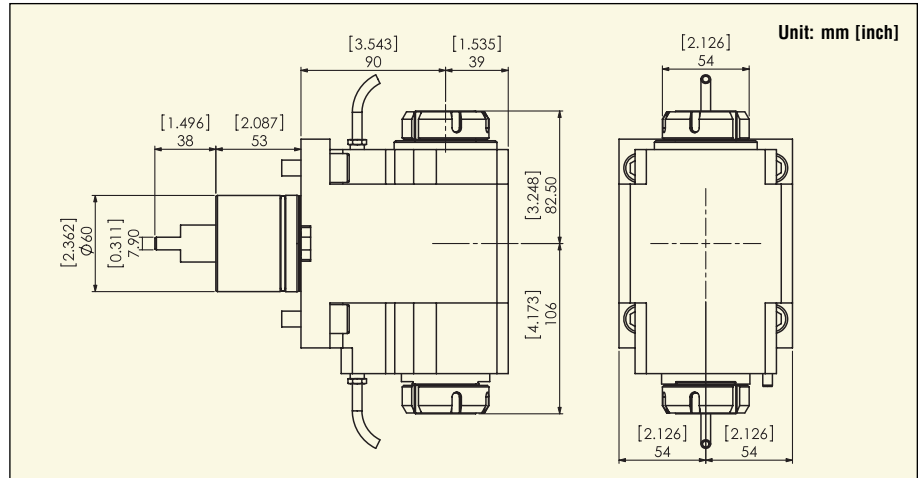
Counter
Clockwise Input

Clockwise Output



Part #: MNL12-MI40Z-MS-C-MI

12 Station - Live Tool



External or Internal Coolant	Radial/Axial	Max. RPM	Gear Ratio	Max. Torque Output	Max. Pressure (PSI)	MI Attachment Size	Replacement Nut	Spanner Wrench	
								for Spindle	for Nut
Internal	Axial	6500	1:1	(70N-m)	1000	MI40	n/a	n/a	WRENCH-MIM-170734

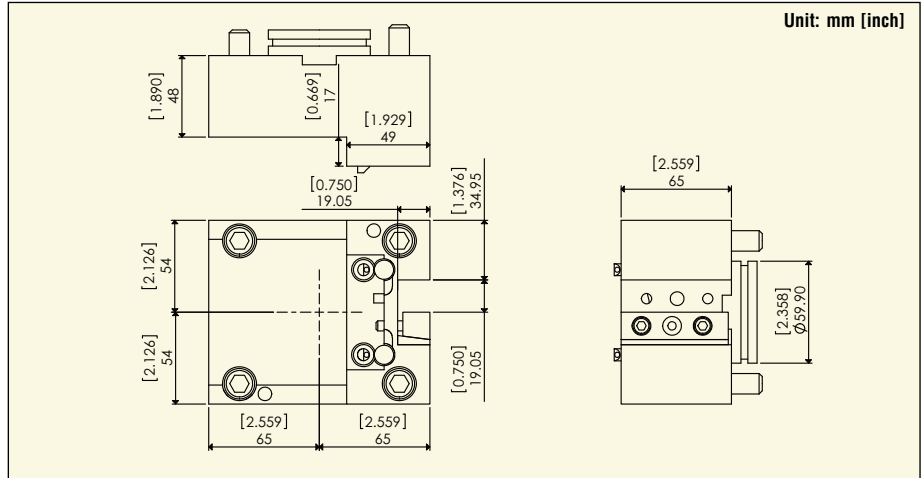
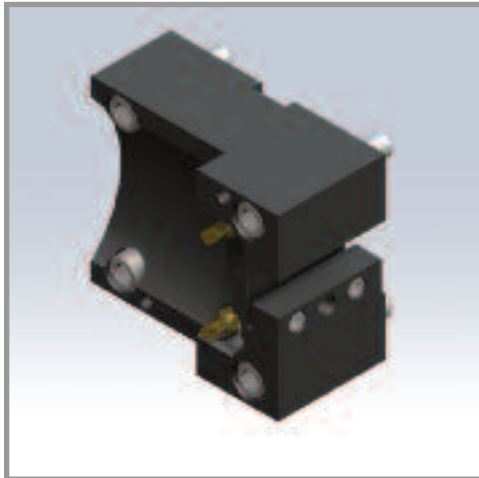
Please refer to pages 67 - 69 for Mimatic MI attachments.



3/4" OD Turning Tool

Part #: MNL12-OD75X

Mori Seiki Part #: T00203

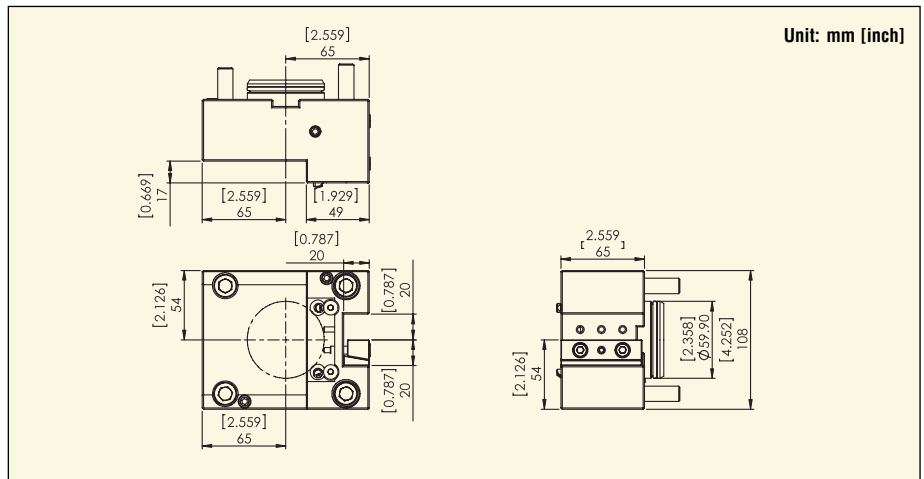


Description	Output Size	Shaft Diameter
3/4" OD Turning Tool	0.75" (19mm)	2.36" (60mm)

20mm OD Turning Tool

Part #: MNL12-OD20MX-HW

Mori Seiki Part #: T00187



Description	Output Size	Shaft Diameter
20mm OD Turning Tool	20mm	2.36" (60mm)

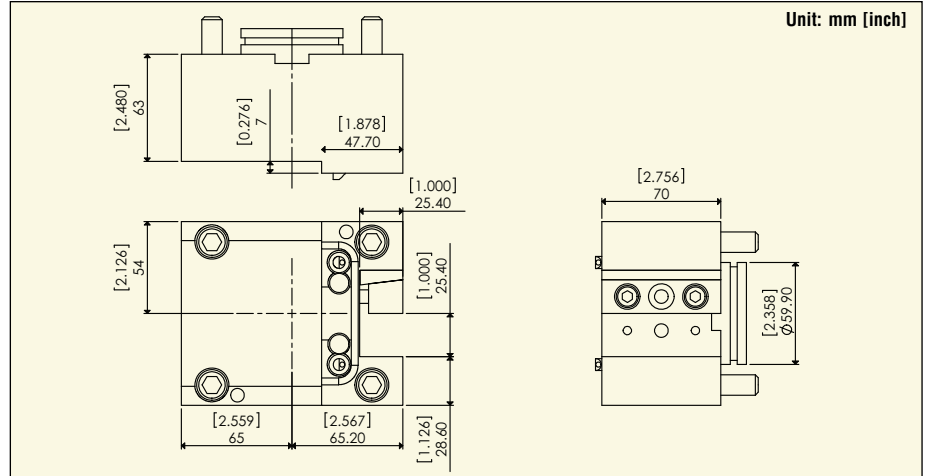
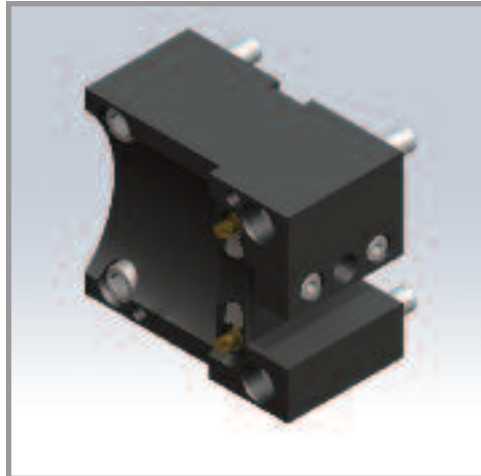
12 Station - Static Tool



1" OD Turning Tool

Part #: MNL12-OD10X

Mori Seiki Part #: T00202

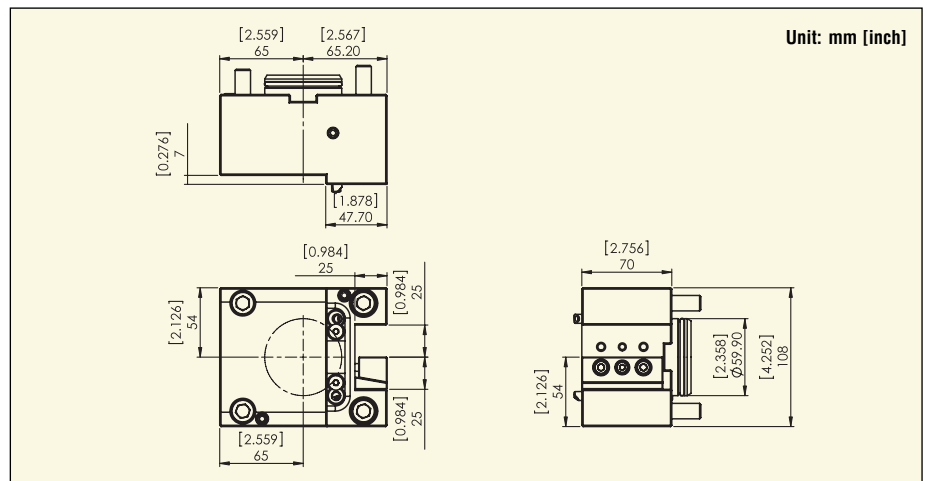


Description	Output Size	Shaft Diameter
1" OD Turning Tool	1.00" (25.4mm)	2.36" (60mm)

25mm OD Turning Tool

Part #: MNL12-OD25MX-HW

Mori Seiki Part #: T00186



Description	Output Size	Shaft Diameter
25mm OD Turning Tool	25mm	2.36" (60mm)

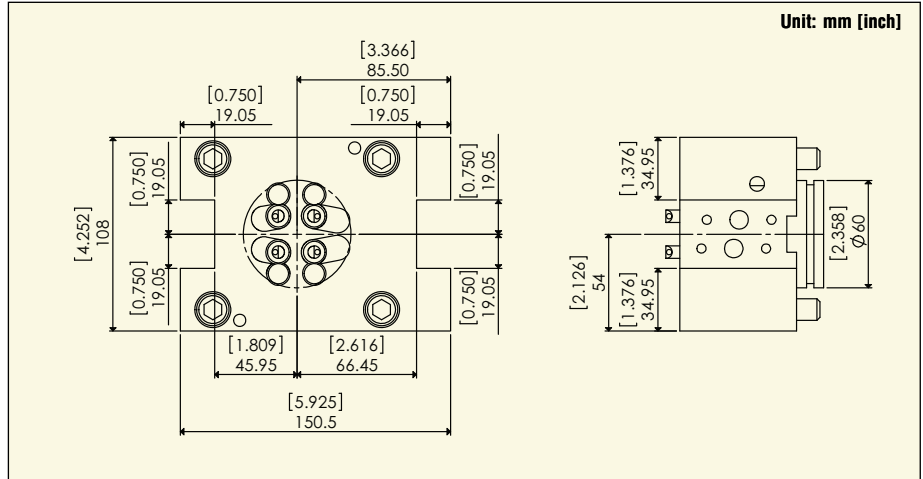
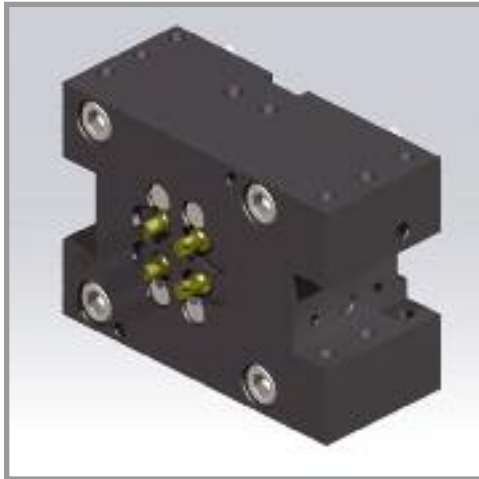
12 Station - Static Tool



3/4" OD Turning Tool 2 Output (Main & Sub)

Part #: MNL12-OD75X-MS

Mori Seiki Part #: T00201

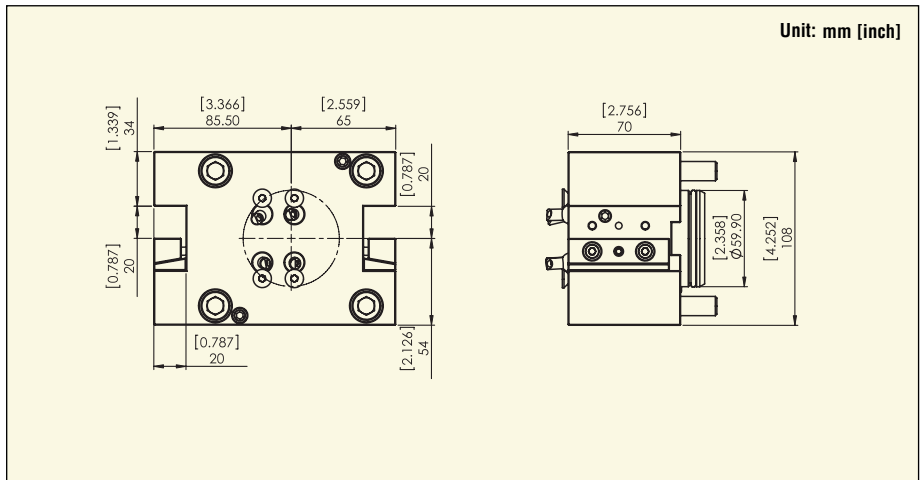


Description	Output Size	Shaft Diameter
3/4" OD Turning Tool, 2 Output (Main & Sub)	.75" (19mm)	2.36" (60mm)

20mm OD Turning Tool, 2 Output (Main & Sub)

Part #: MNL12-OD20MX-MS-HW

Mori Seiki Part #: T00185



Description	Output Size	Shaft Diameter
20mm OD Turning Tool, 2 Output (Main & Sub)	20mm	2.36" (60mm)

12 Station - Static Tool

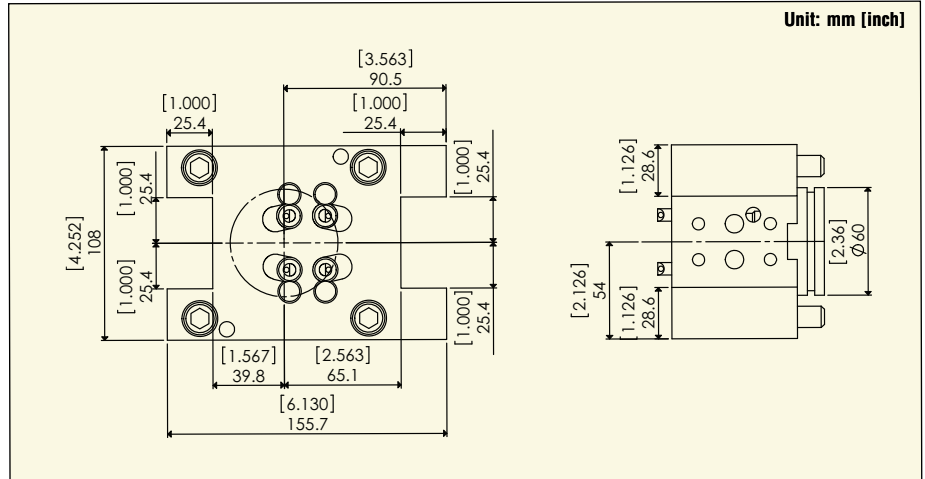


1" OD Turning Tool 2 Output (Main & Sub)

Part #: MNL12-OD10X-MS

Mori Seiki Part #: T00199

12 Station - Static Tool

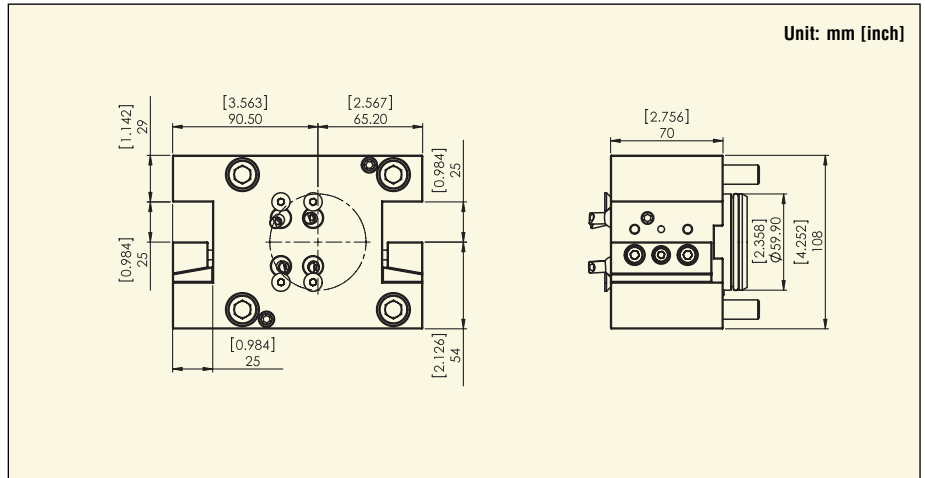


Description	Output Size	Shaft Diameter
1" OD Turning Tool, 2 Output (Main & Sub)	1.00" (25.4mm)	2.36" (60mm)

25mm OD Turning Tool, 2 Output (Main & Sub)

Part #:MNL12-OD25MX-MS-HW

Mori Seiki Part #: T00184

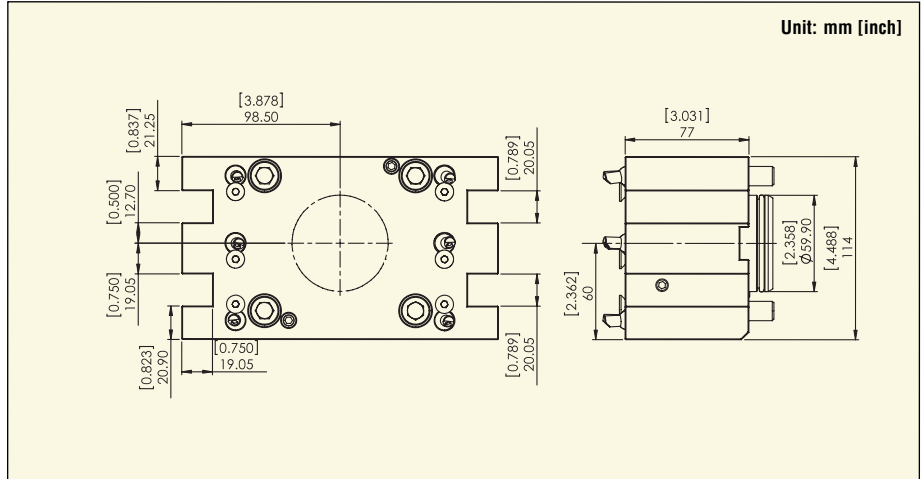


Description	Output Size	Shaft Diameter
25mm OD Turning Tool, 2 Output (Main & Sub)	25mm	2.36" (60mm)



3/4" OD Turning Tool 4 Output (Main & Sub)

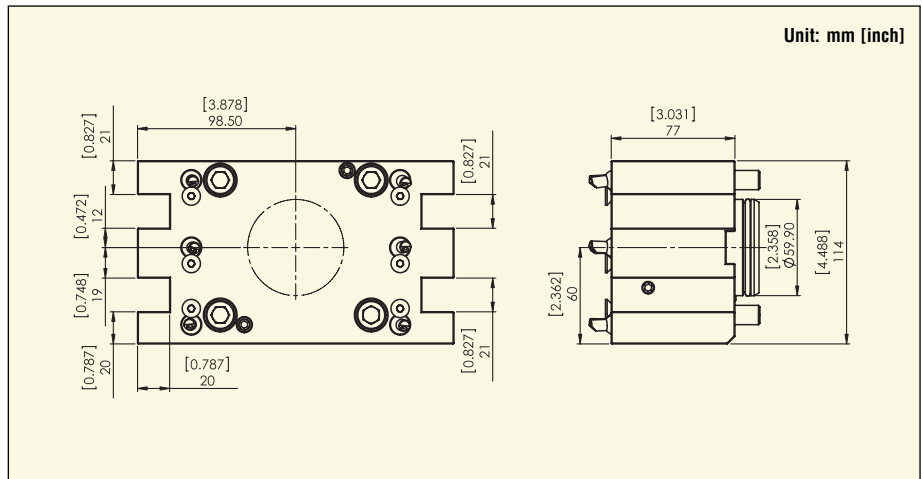
Part #:MNL12-OD75X-MSD-HW



Description	Output Size	Shaft Diameter
3/4" OD Turning Tool, 4 Output (Main & Sub)	3/4"	2.36" (60mm)

20mm OD Turning Tool, 4 Output (Main & Sub)

Part #:MNL12-OD20MX-MSD-HW



Description	Output Size	Shaft Diameter
20mm OD Turning Tool, 4 Output (Main & Sub)	20mm	2.36" (60mm)

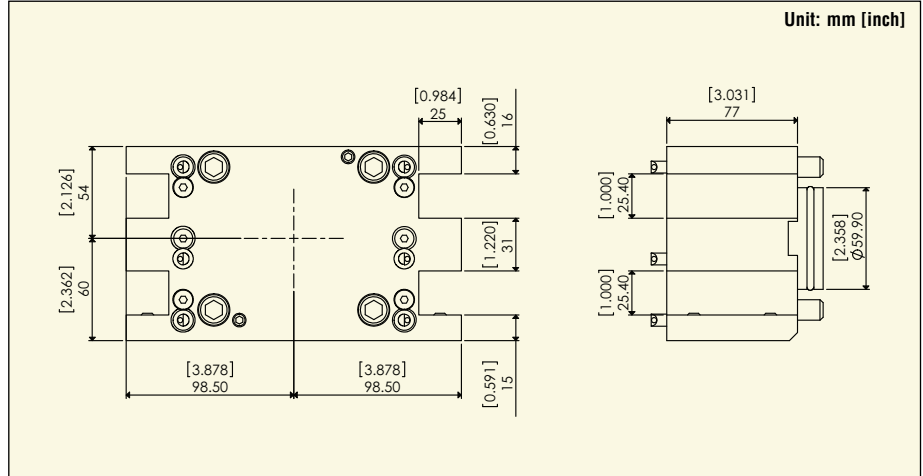
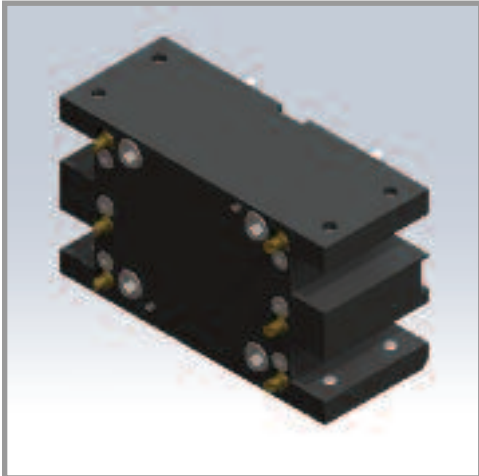
12 Station - Static Tool



1" OD Cutting Holder 4 Output (Main & Sub)

Part #: MNL12-OD10X-MSD

12 Station - Static Tool

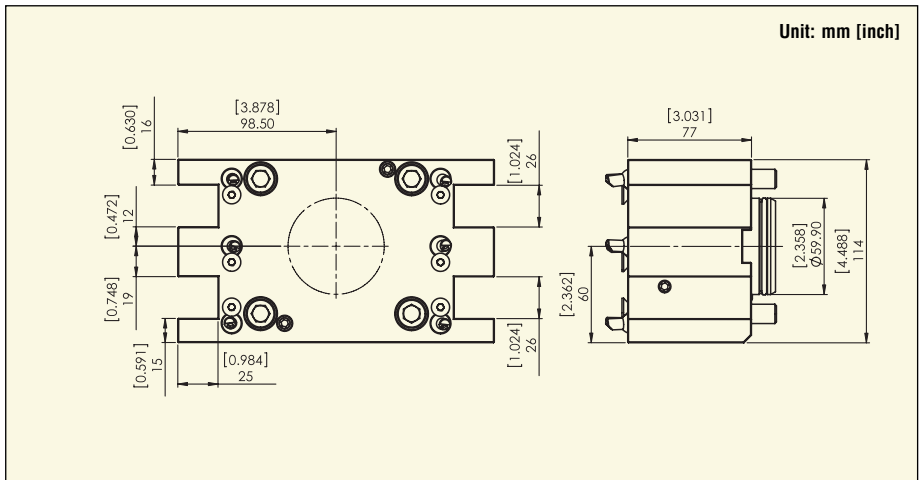


Description	Output Size	Shaft Diameter
1" OD Cutting Holder, 4 Output (Main & Sub)	1.00" (25.4mm)	2.36" (60mm)

Tool suitable for Mori Seiki 12-station NLX Series only.

25mm OD Turning Tool, 4 Output (Main & Sub)

Part #: MNL12-OD25MX-MSD-HW



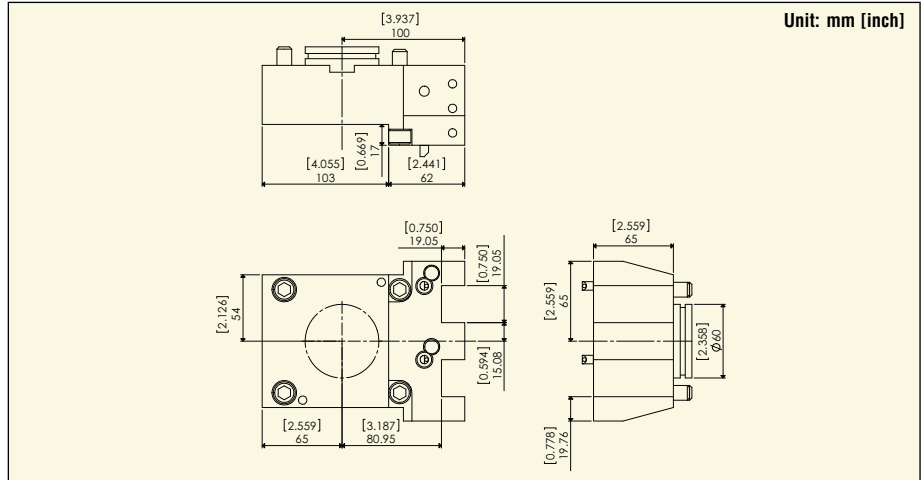
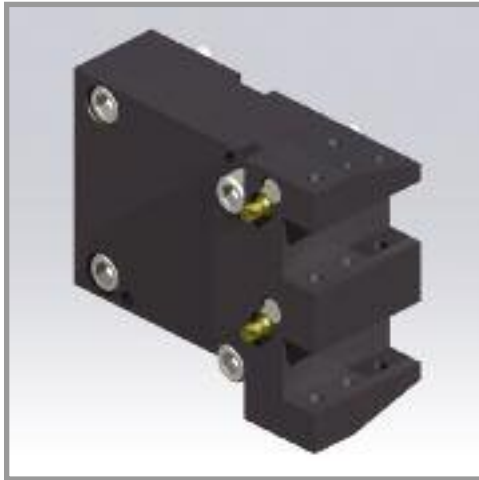
Description	Output Size	Shaft Diameter
25mm OD Turning Tool, 4 Output (Main & Sub)	25mm	2.36" (60mm)



3/4" OD Turning Tool 2 Output Y-Axis (Main)

Part #: MNL12-OD75Y-MD

Mori Seiki Part #: T00210



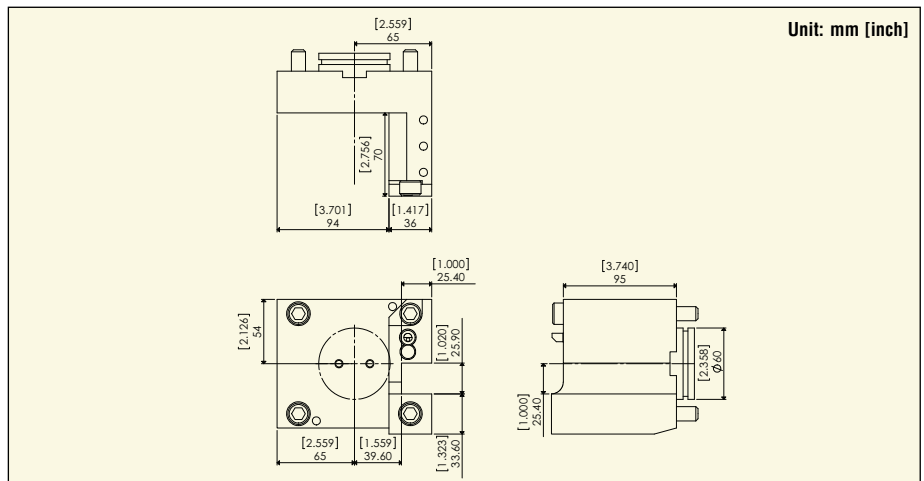
Description	Output Size	Shaft Diameter
3/4" OD Turning Tool, 2 Output Y-Axis (Main)	3/4" (19.05mm)	2.36" (60mm)

Tool suitable for Mori Seiki 12-station NLX Series only.

1" Cut-Off Holder, Right Hand

Part #: MNL12-CO10X

Mori Seiki Part #: T00198



Description	Output Size	Shaft Diameter
1" Cut-Off Holder, Right Hand	1.02" (25.9mm)	2.36" (60mm)

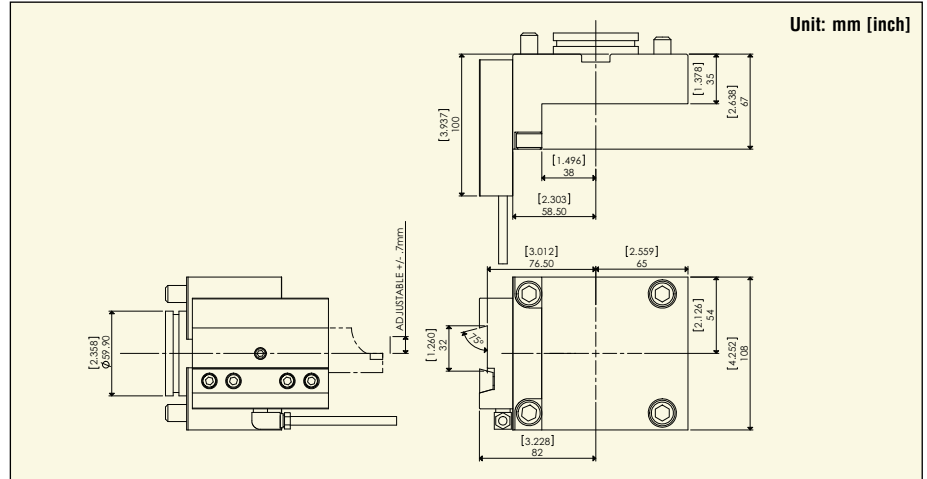
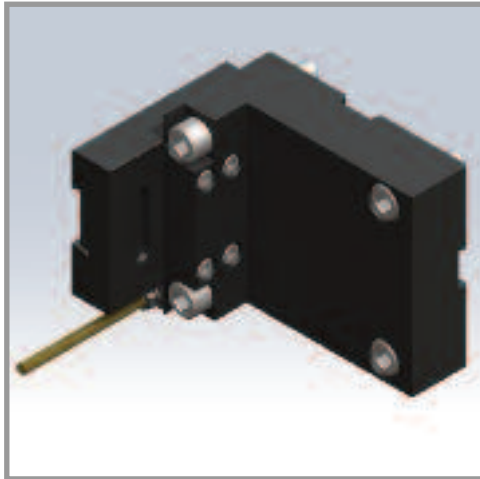
12 Station - Static Tool



1.25" OD Cut-Off Holder

Part #: MNL12-C012X

12 Station - Static Tool

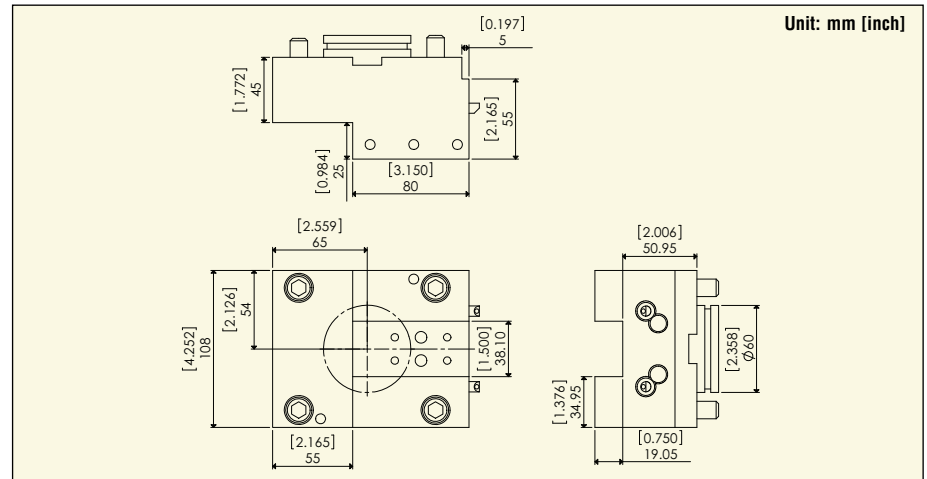


Description	Output Size	Shaft Diameter
1.25" OD Cut-Off Holder	1.25" (31.75mm)	2.36" (60mm)

3/4" ID Cutting Holder

Part #: MNL12-ID75Z

Mori Seiki Part #: T03014



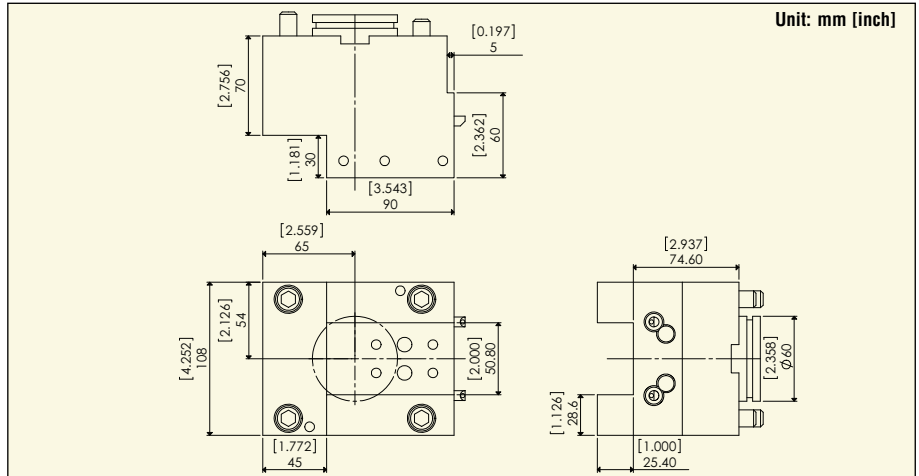
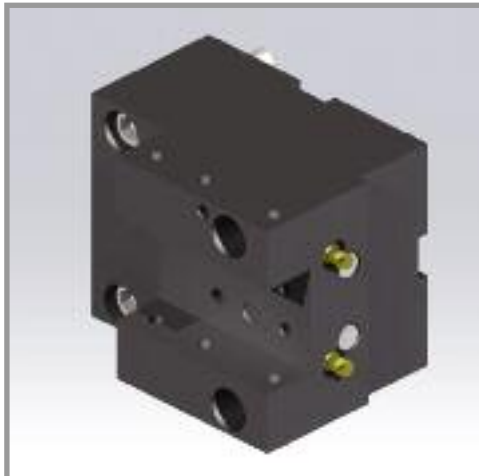
Description	Output Size	Shaft Diameter
3/4" ID Cutting Holder	0.75" (19mm)	2.36" (60mm)



1" ID Cutting Holder

Part #: MNL12-ID10Z

Mori Seiki Part #: T03013

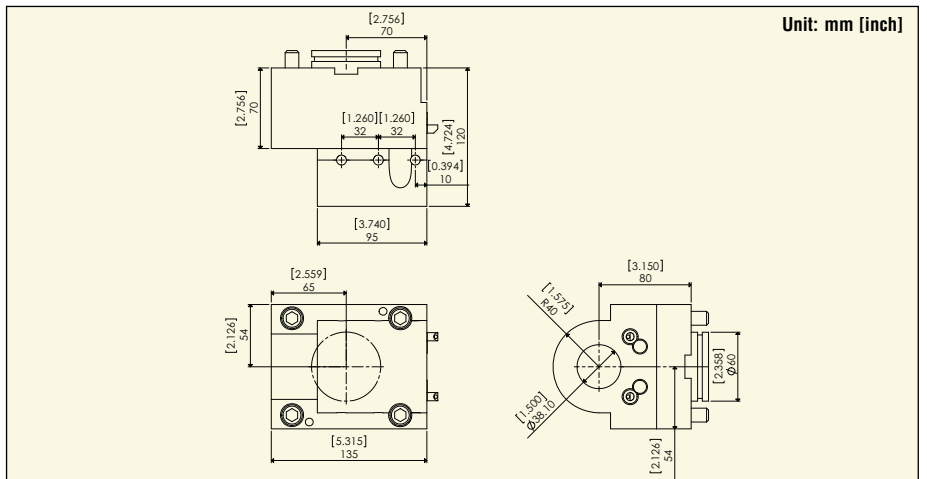


Description	Output Size	Shaft Diameter
1" ID Cutting Holder	1.00" (25.4mm)	2.36" (60mm)

1.5" Boring Bar Holder

Part #: MNL12-BG15Z

Mori Seiki Part #: T10101



Description	Output Size	Shaft Diameter
1.5" Boring Bar Holder	1.5" (38.1mm)	2.36" (60mm)

Tool suitable for Mori Seiki 12-station NLX Series only.

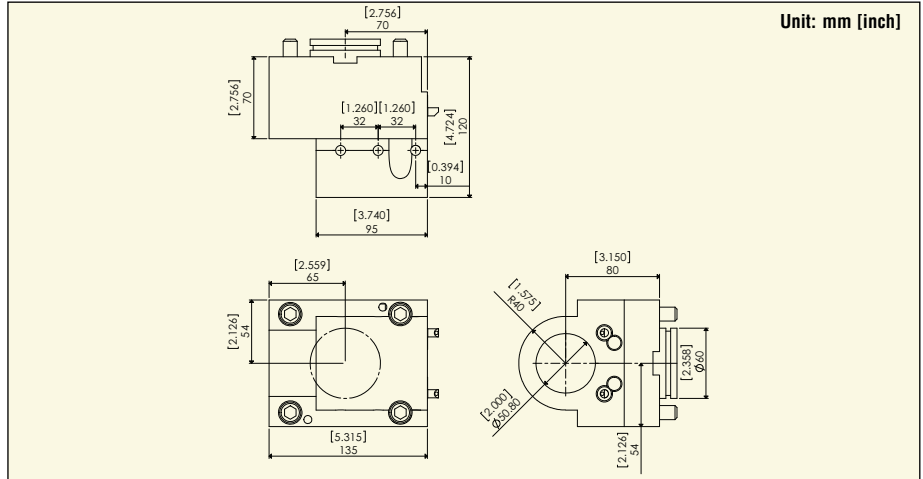


2" Boring Bar Holder

Part #: MNL12-BG20Z

Mori Seiki Part #: T10102

12 Station - Static Tool

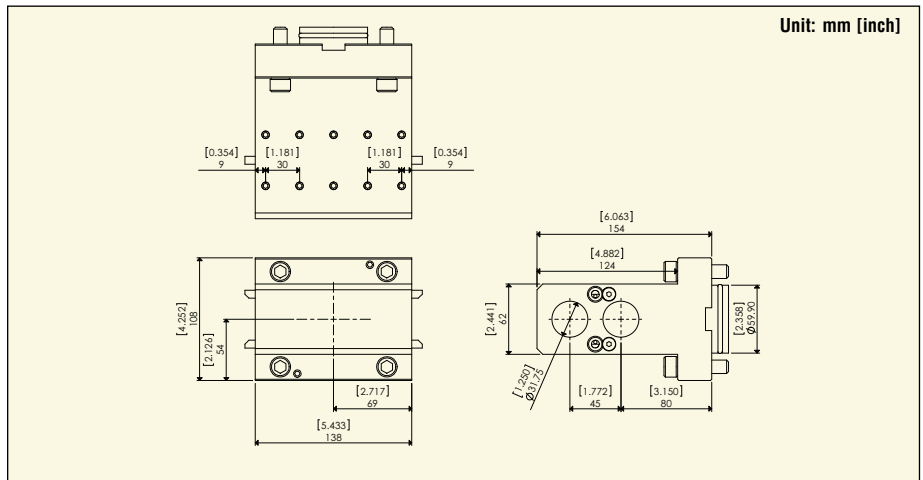
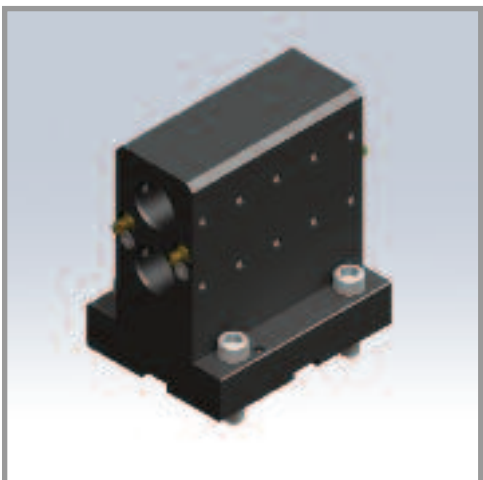


Description	Output Size	Shaft Diameter
2" Boring Bar Holder	2" (50.8mm)	2.36" (60mm)

Tool suitable for Mori Seiki 12-station NLX Series only.

1.25" Boring Bar Holder 4 Output (Main & Sub)

Part #: MNL12-BG12Z-MSD



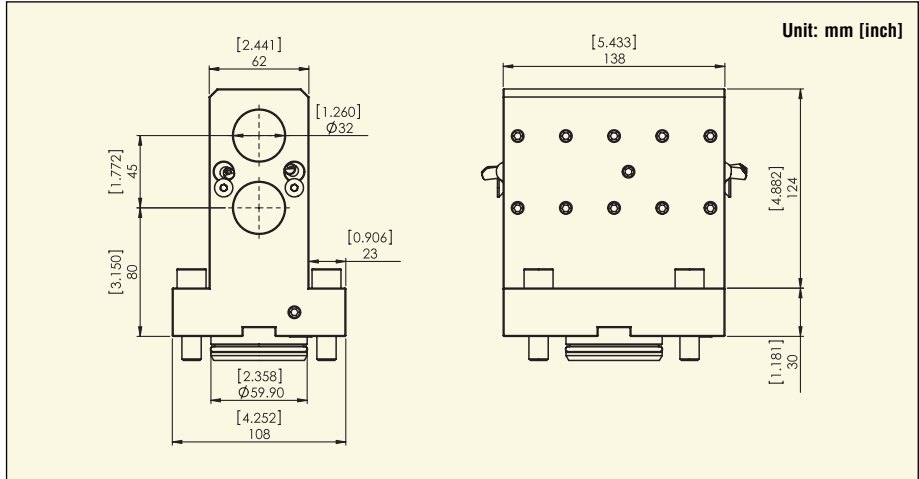
Description	Output Size	Shaft Diameter
1.25" Boring Bar Holder, 4 Output (Main & Sub)	1.25" (31.75mm)	2.36" (60mm)

Tool suitable for Mori Seiki 12-station NLX Series only.



32mm Boring Bar Holder 4 Output (Main & Sub)

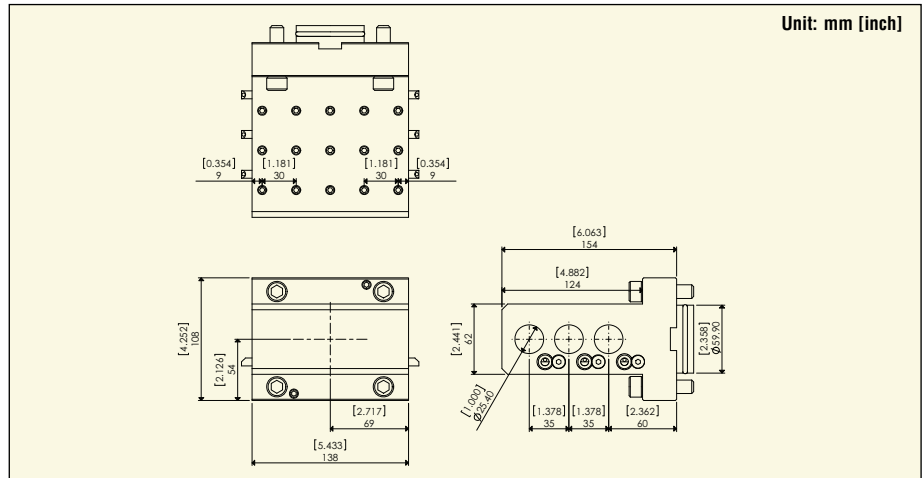
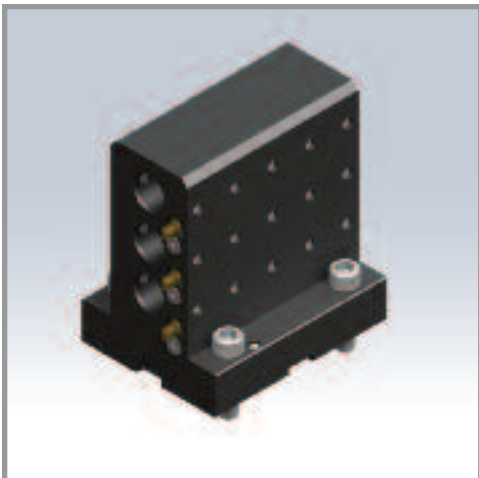
Part #:MNL12-BG32MZ-MSD-HW



Description	Output Size	Shaft Diameter
32mm Boring Bar Holder, 4 Output (Main & Sub)	32mm	2.36" (60mm)

1" Boring Bar Holder 6 Output (Main & Sub)

Part #: MNL12-BG10Z-MST



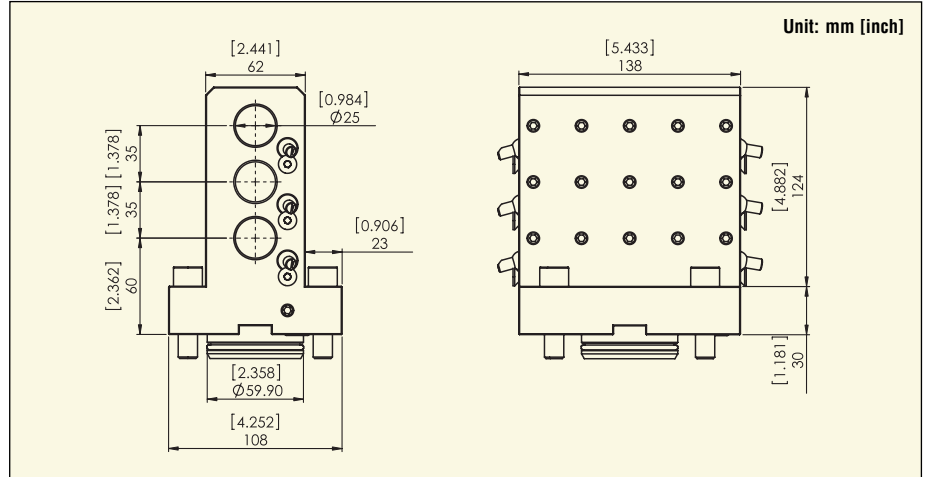
Description	Output Size	Shaft Diameter
1" Boring Bar Holder, 6 Output (Main & Sub)	1.00" (25.4mm)	2.36" (60mm)



25mm Boring Bar Holder 6 Output (Main & Sub)

Part #:MNL12-BG25MZ-MST-HW

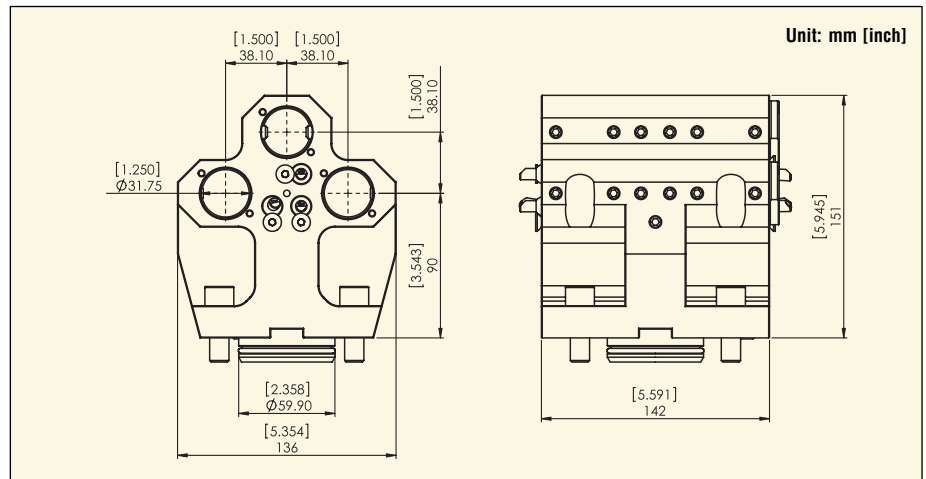
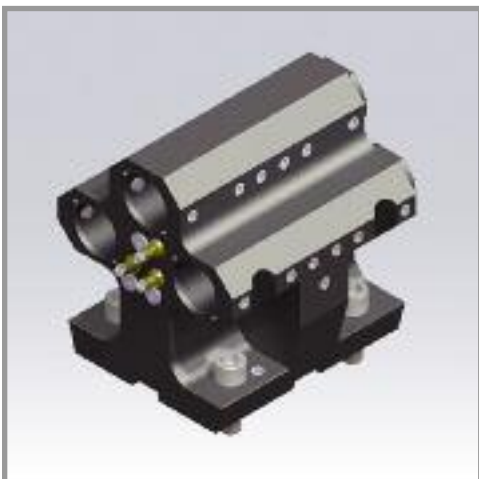
12 Station - Static Tool



Description	Output Size	Shaft Diameter
25mm Boring Bar Holder, 6 Output (Main & Sub)	25mm	2.36" (60mm)

1.25" Boring Bar Holder 6 Output (Main & Sub)

Part #:MNL12-BG12Z-MST-HW

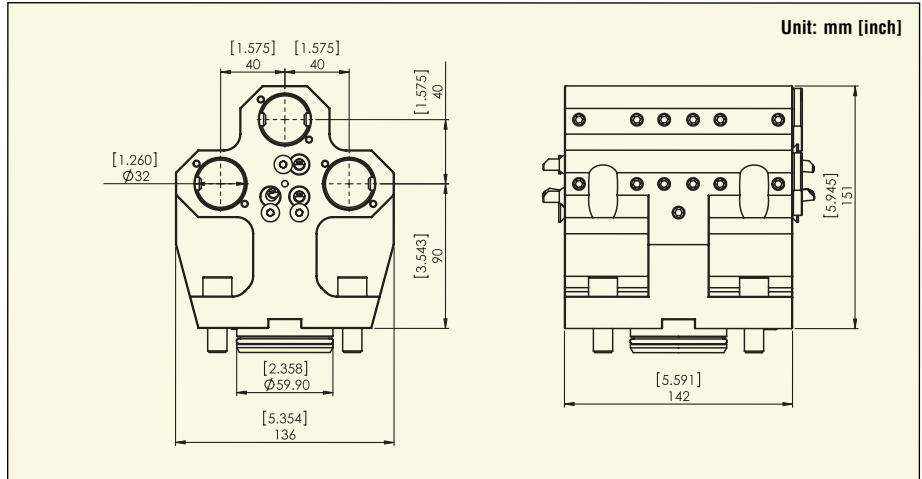
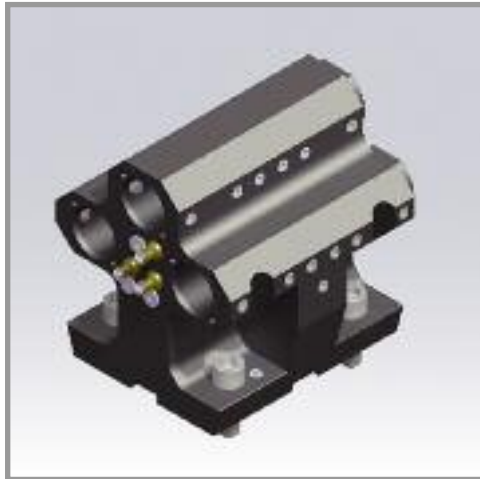


Description	Output Size	Shaft Diameter
1.25" Boring Bar Holder, 6 Output (Main & Sub)	1.25"	2.36" (60mm)



32mm Boring Bar Holder 6 Output (Main & Sub)

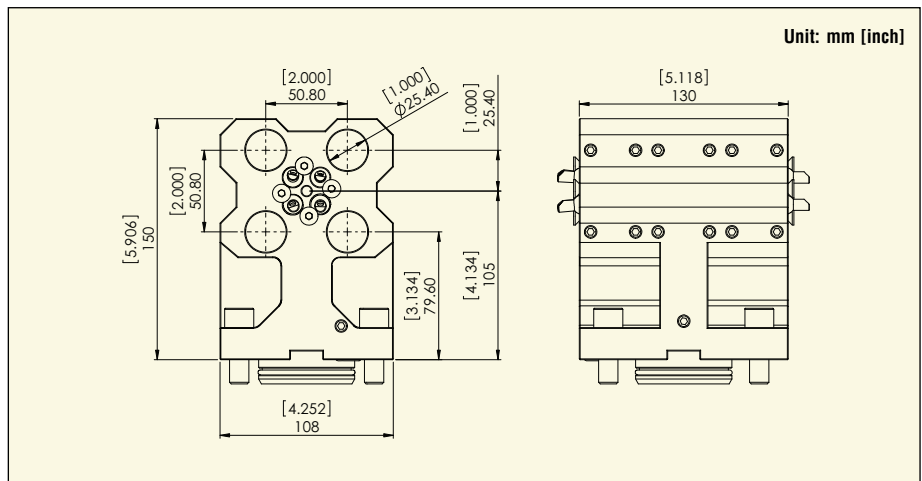
Part #:MNL12-BG32MZ-MST-HW



Description	Output Size	Shaft Diameter
32mm Boring Bar Holder, 6 Output (Main & Sub)	32mm	2.36" (60mm)

1" Boring Bar Holder 8 Output (Main & Sub)

Part #:MNL12-BG10Z-MSQ-HW



Description	Output Size	Shaft Diameter
1" Boring Bar Holder, 8 Output (Main & Sub)	1"	2.36" (60mm)

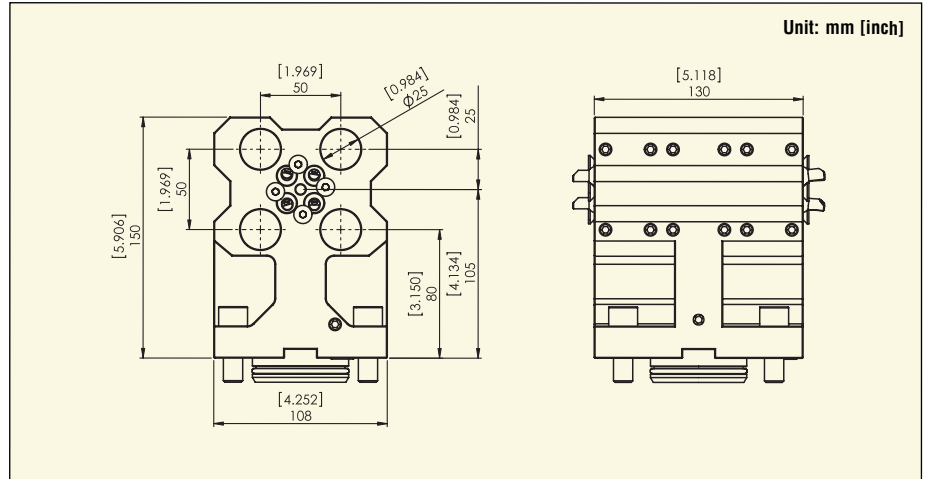
12 Station - Static Tool



25mm Boring Bar Holder 8 Output (Main & Sub)

Part #:MNL12-BG25MZ-MSQ-HW

12 Station - Static Tool

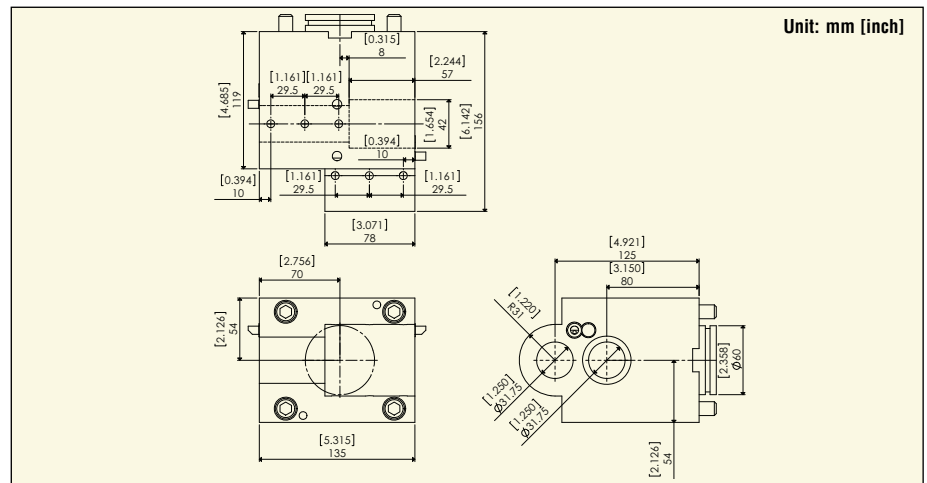


Description	Output Size	Shaft Diameter
25mm Boring Bar Holder, 8 Output (Main & Sub)	25mm	2.36" (60mm)

1.25" Boring Bar Holder 2 Output (Main & Sub)

Part #: MNL12-BG12Z-MS

Mori Seiki Part #: T10100



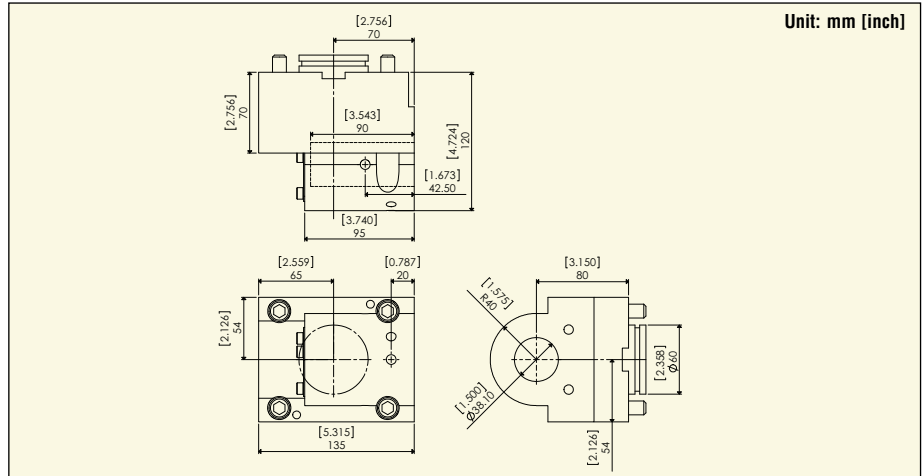
Description	Output Size	Shaft Diameter
1.25" Boring Bar Holder, 2 Output (Main & Sub)	1.25" (31.75mm)	2.36" (60mm)



1.5" Combination Holder

Part #: MNL12-CH15Z

Mori Seiki Part #: T13130



12 Station - Static Tool

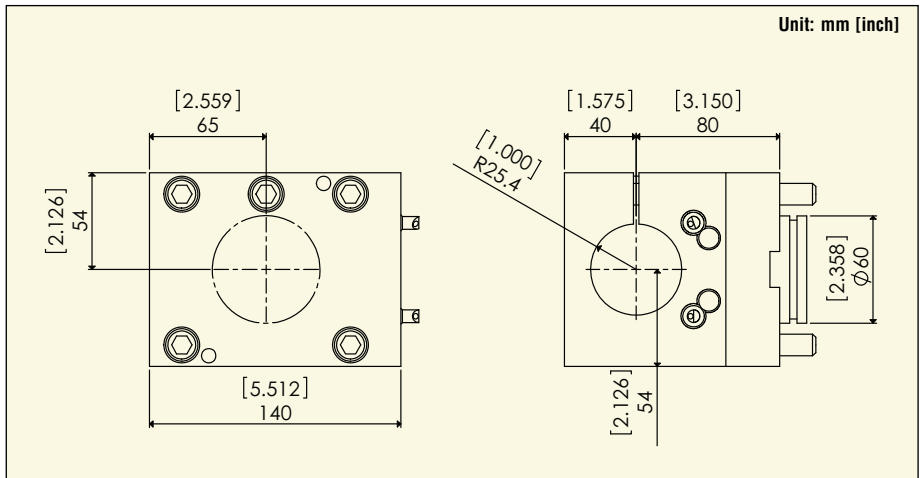
Description	Output Size	Shaft Diameter
1.5" Combination Holder	1.5" (38.1mm)	2.36" (60mm)

Tool suitable for Mori Seiki 12-station NLX Series only.

2" Boring Bar Holder with Slot

Part #: MNL12-BGS20Z

Mori Seiki Part #: T10142



Description	Output Size	Shaft Diameter
2" Boring Bar Holder with Slot	2" (50.8mm)	2.36" (60mm)

Tool suitable for Mori Seiki 12-station NLX Series only.

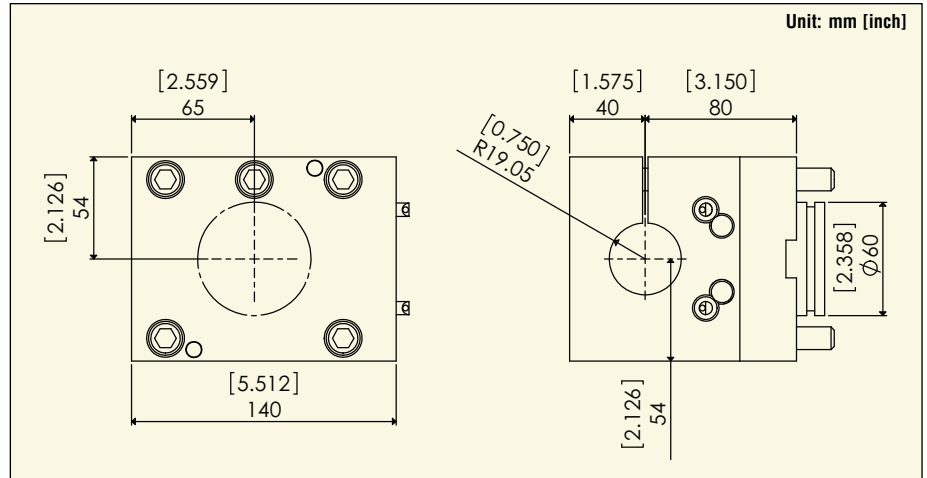


1.5" Boring Bar Holder with Slot

Part #: MNL12-BGS15Z

Mori Seiki Part #: T10143

12 Station - Static Tool

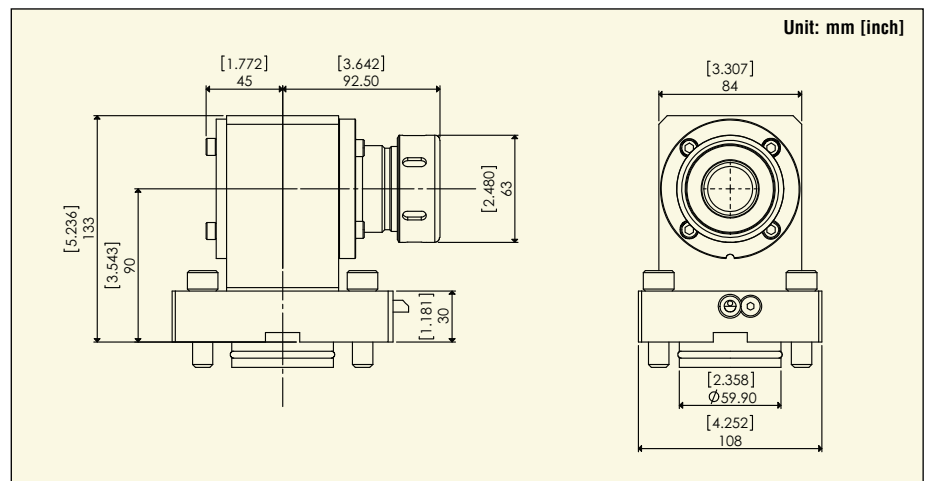


Description	Output Size	Shaft Diameter
1.5" Boring Bar Holder with Slot	1.5" (38.1mm)	2.36" (60mm)

Tool suitable for Mori Seiki 12-station NLX Series only.

ER40 Collet Chuck Static Holder

Part #: MNL12-ER40Z-STATIC

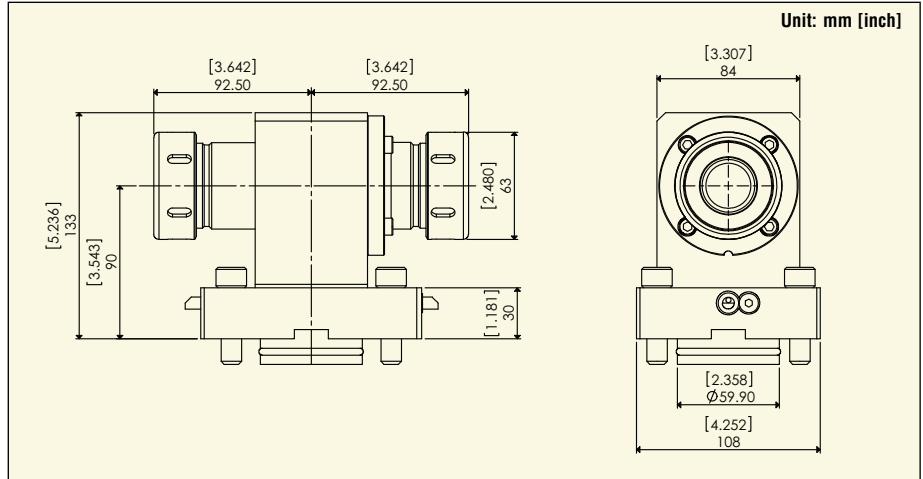
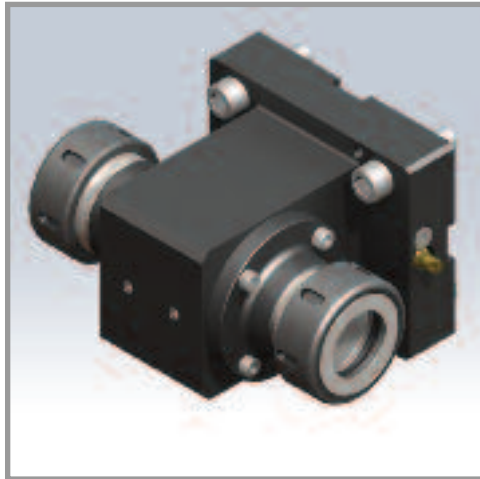


Description	Output Size	Shaft Diameter	Replacement Nut	Wrench
ER40 Collet Chuck Static Holder	ER40 (5/32" to 1")	2.36" (60mm)	NA40	FK-9



ER40 Collet Chuck Static Holder 2 Output (Main & Sub)

Part #: MNL12-ER40Z-MS-STAT

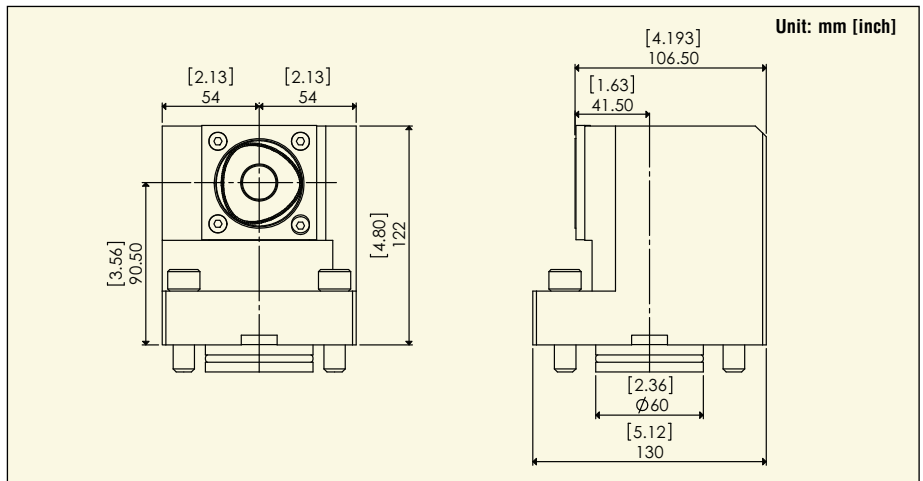
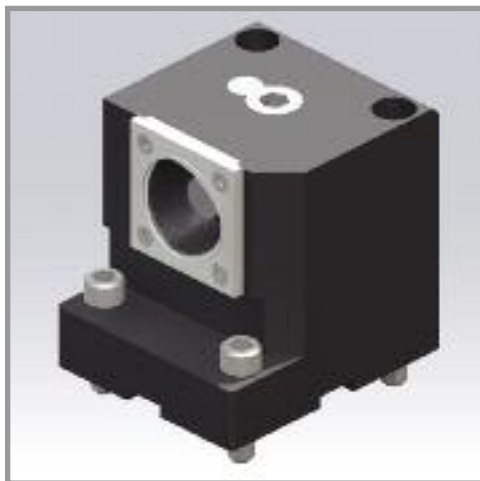


Description	Output Size	Shaft Diameter	Replacement Nut	Wrench
ER40 Collet Chuck Static Holder, 2 Output (Main & Sub)	ER40 (5/32" to 1")	2.36" (60mm)	NA40	FK-9

Capto C5 ID Holder

Part #: MNL12-CAPT05Z-C-STAT

Mori Seiki Part #: T12068



Description	Output Size	Shaft Diameter	Maximum Internal Pressure
Capto C5 ID Holder	C5	2.36" (60mm)	1000 PSI

Note: Max. coolant pressure 1015 PSI - Must use a minimum of a 5 micron coolant filter to prevent damage to the unit. Cam-Lock, Quick-Change" type tool. Internal sleeves can be rotated to accommodate for main/sub clockwise and counterclockwise spindle rotation for left or right hand turning tools. See page 66 for details.

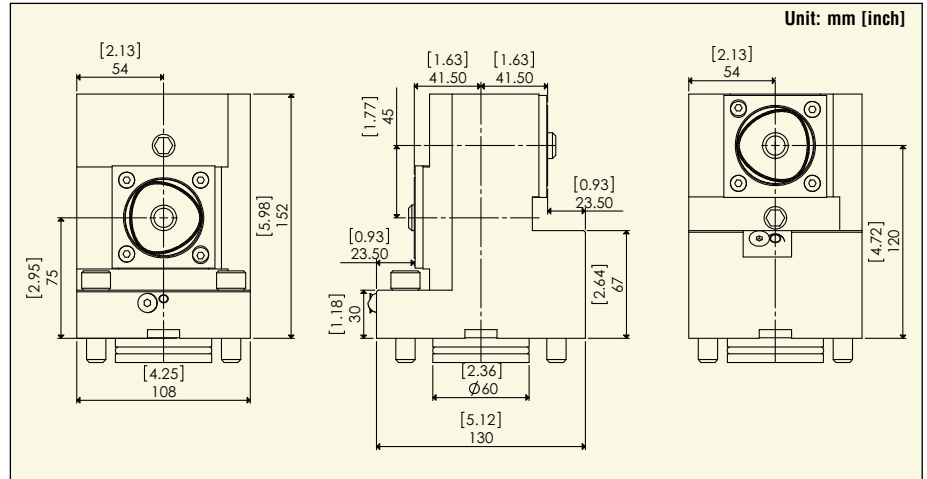


Capto C5 ID Holder 2 Output (Main & Sub)

Part #: MNL12-CAPTO5Z-MS-CST Mori Seiki Part #: T12069



12 Station - Static Tool

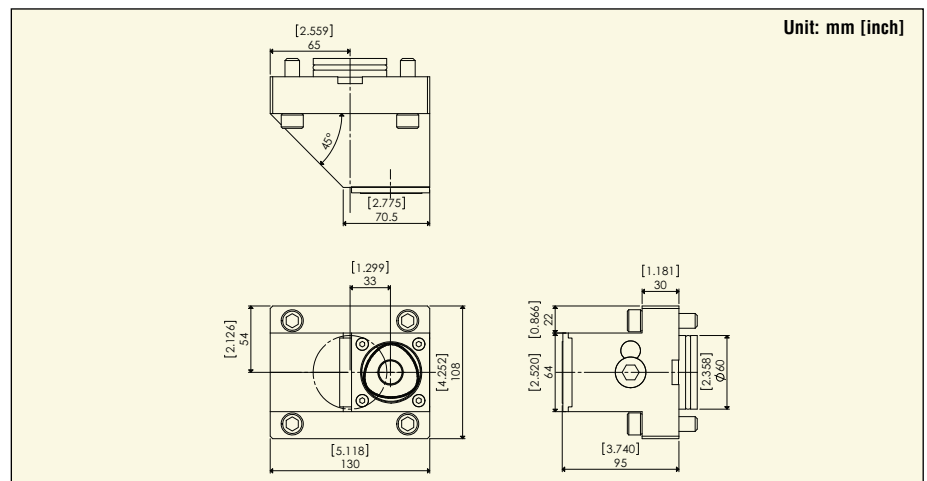


Description	Output Size	Shaft Diameter	Maximum Internal Pressure
Capto C5 ID Holder, 2 Output (Main & Sub)	C5	2.36" (60mm)	1000 PSI

Screw-in type tool. "Note: Max. coolant pressure 1015 PSI - Must use a minimum of a 5 micron coolant filter to prevent damage to the unit. Internal sleeves can be rotated to accommodate for main/sub clockwise and counterclockwise spindle rotation for left or right hand turning tools. See page 66 for details.

Capto C5 OD Holder

Part #: MNL12-CAPTO5X-C-STAT Mori Seiki Part #: T00208



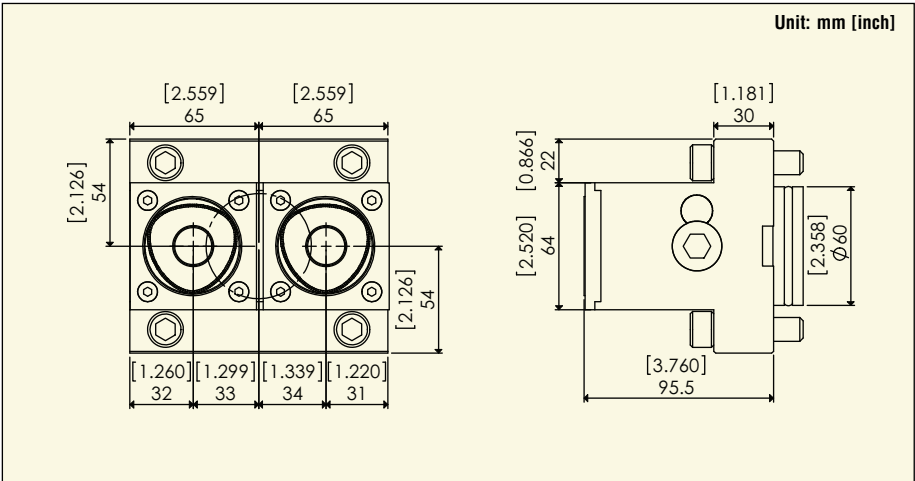
Description	Output Size	Shaft Diameter	Maximum Internal Pressure
Capto C5 OD Holder	C5	2.36" (60mm)	1000 PSI

"Cam-Lock, Quick-Change" type tool. "Note: Max. coolant pressure 1015 PSI - Must use a minimum of a 5 micron coolant filter to prevent damage to the unit. This static tool can be ordered for left hand cutting; please refer the following part number: AC5-SSMS100-40000L. Internal sleeves can be rotated to accommodate for main/sub clockwise and counterclockwise spindle rotation for left or right hand turning tools. See page 66 for details.



Capto C5 OD Holder 2 Output (Main & Sub)

Part #: MNL12-CAPTO5X-MS-CST Mori Seiki Part #: T00209



Description	Output Size	Shaft Diameter	Maximum Internal Pressure
Capto C5 OD Holder, 2 Output (Main & Sub)	C5	2.36" (60mm)	1000 PSI

Note: Max. coolant pressure 1015 PSI - Must use a minimum of a 5 micron coolant filter to prevent damage to the unit. "Cam-Lock, Quick-Change" type tool. Internal sleeves can be rotated to accommodate for main/sub clockwise and counterclockwise spindle rotation for left or right hand turning tools. See page 66 for details.



ER16 OD Drill/Milling Unit

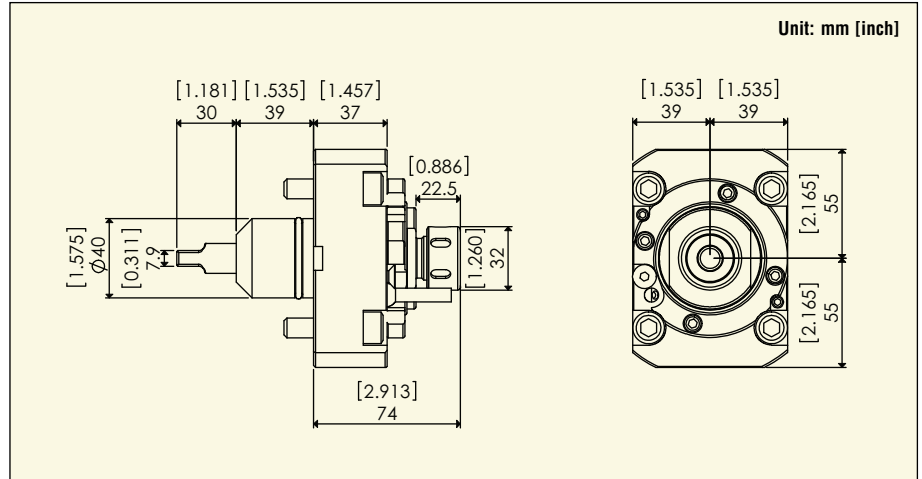
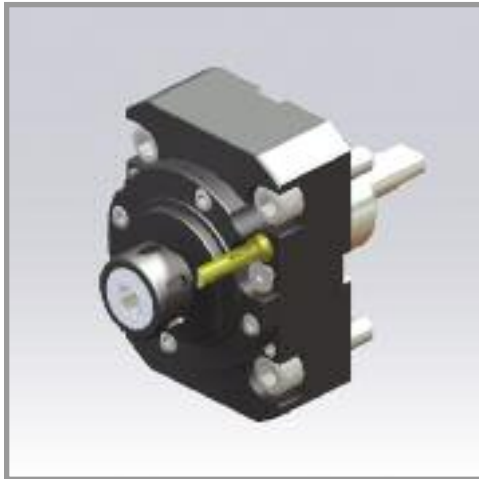
Part #: MNZ20-ER16X-HS

Mori Seiki Part #: T32433



Clockwise Input

Clockwise Output



External or Internal Coolant	Radial/Axial	Max. RPM	Gear Ratio	Max. Torque Output	Collet Size	Replacement Nut	Coolant Nozzle	Spanner Wrench	
								for Spindle	for Nut
External	Radial	10000	1:1	21ft-lbs (28.5N-m)	ER16 (1/64" to 13/32")	NA16	TM100-31090	SP-41	FK-4

Please refer to pages 73 - 76 for ER Series Collets and ER Tap Collets details.

ER20 OD Drill/Milling Unit

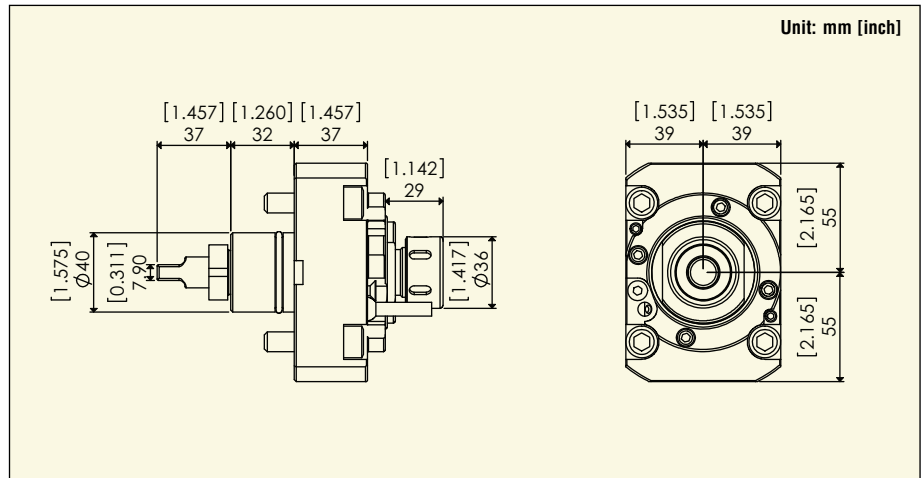
Part #: MNZ20-ER20X

Mori Seiki Part #: T32254



Clockwise Input

Clockwise Output



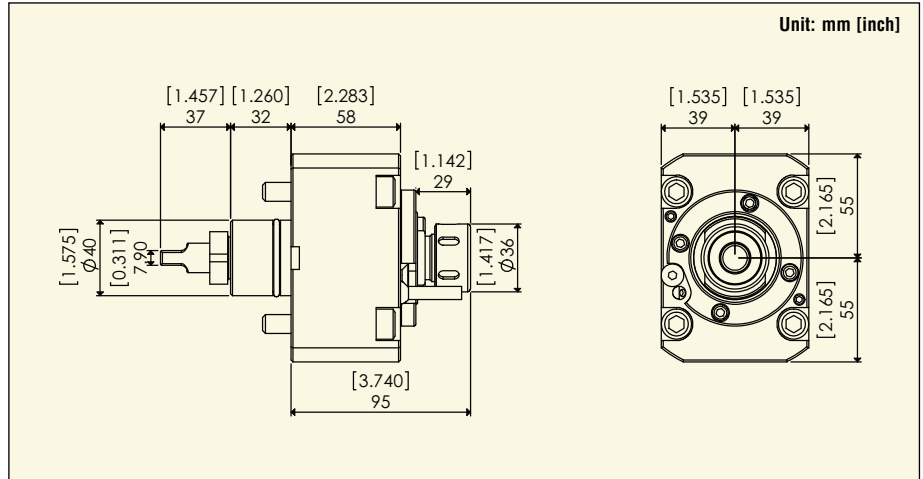
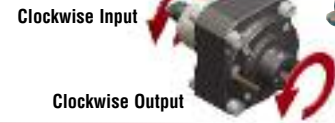
External or Internal Coolant	Radial/Axial	Max. RPM	Gear Ratio	Max. Torque Output	Collet Size	Replacement Nut	Coolant Nozzle	Spanner Wrench	
								for Spindle	for Nut
External	Radial	6000	1:1	21ft-lbs (28.5N-m)	ER20 (1/16" to 1/2")	NA20	TM100-31090	SP-41	FK-5

Please refer to pages 73 - 76 for ER Series Collets and ER Tap Collets details.



ER20 OD Drill/Milling Unit

Part #: MNZ20-ER20X-C-7MP Mori Seiki Part #: T32287

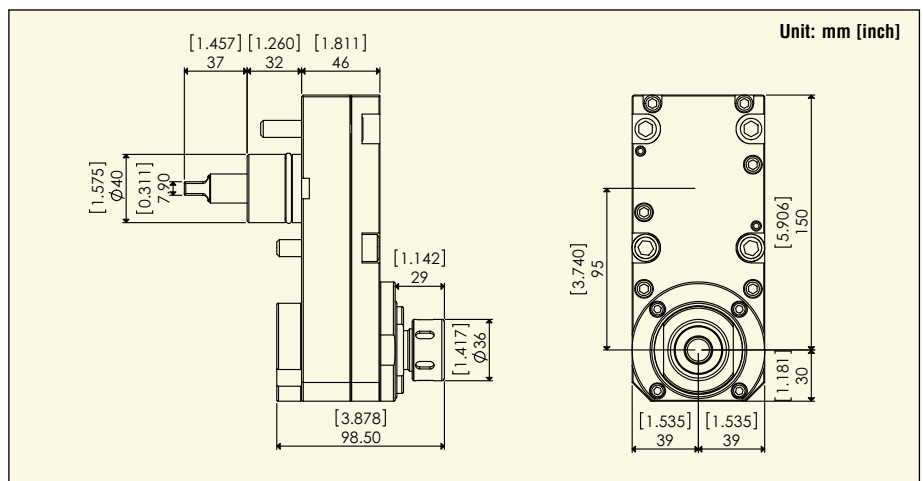


External or Internal Coolant	Radial/Axial	Max. RPM	Gear Ratio	Max. Torque Output	Collet Size	Replacement Nut	Coolant Nozzle	Spanner Wrench	
								for Spindle	for Nut
Internal	Radial	6000	1:1	21ft.lbs (28.5N-m)	ER20 (1/16" to 1/2")	NA20	TM100-31090	SP-32	FK-5

Note: Max Coolant Pressure 1015 PSI - Must use a minimum of a 5 micron coolant filter to prevent damage to the unit. Please refer to pages 73 - 76 for ER Series Collets and ER Tap Collets details.

ER20 Offset OD Drill/Milling Unit

Part #: MNZ20-ER20X-OFF Mori Seiki Part #: T32279



External or Internal Coolant	Radial/Axial	Max. RPM	Gear Ratio	Max. Torque Output	Collet Size	Replacement Nut	Coolant Nozzle	Spanner Wrench	
								for Spindle	for Nut
External	Radial	6000	1:1	21ft.lbs (28.5N-m)	ER20 (1/16" to 1/2")	NA20	TM100-31090	SP-41	FK-5

Please refer to pages 73 - 76 for ER Series Collets and ER Tap Collets details.

20 Station - Live Tool



ER25 OD Drill/Milling Unit

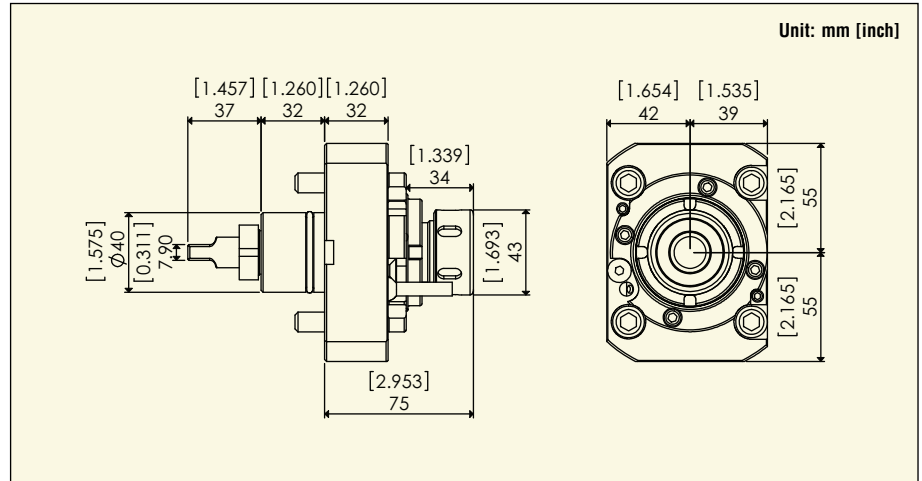
Part #: MNZ20-ER25X

Mori Seiki Part #: T32274



Clockwise Input

Clockwise Output



External or Internal Coolant	Radial/Axial	Max. RPM	Gear Ratio	Max. Torque Output	Collet Size	Replacement Nut	Coolant Nozzle	Spanner Wrench	
								for Spindle	for Nut
External	Radial	6000	1:1	21ft-lbs (28.5N-m)	ER25 (1/16" to 5/8")	NA25	TM100-31090	SP-41	FK-6

Please refer to pages 73 - 76 for ER Series Collets and ER Tap Collets details.

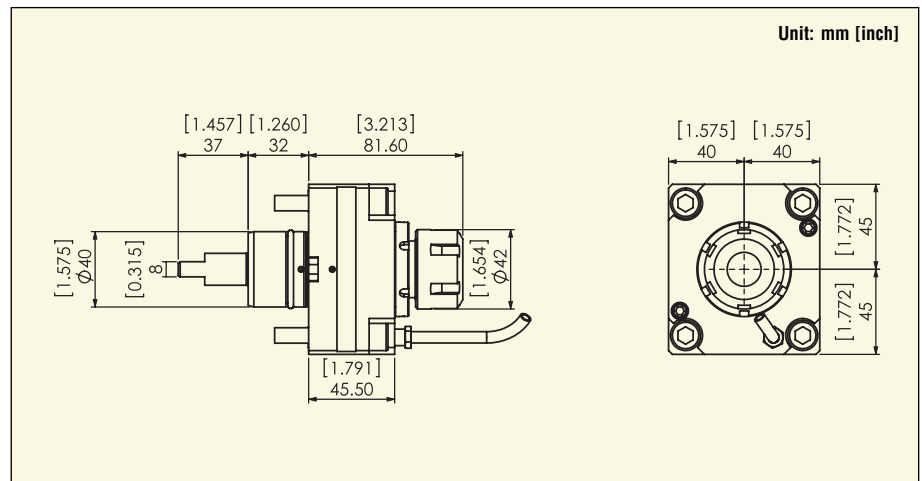
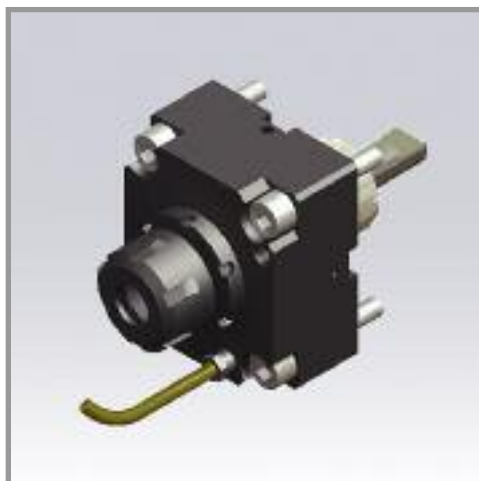
ER25 OD Drill/Milling Unit

Part #: MNZ20-ER25X-C-7MP-MI



Clockwise Input

Clockwise Output



External or Internal Coolant	Radial/Axial	Max. RPM	Gear Ratio	Max. Torque Output	Max. Pressure (PSI)	Collet Size	Replacement Nut	Spanner Wrench	
								for Spindle	for Nut
Internal	Radial	6500	1:1	18ft-lbs (25N-m)	1000	ER25 (1/16" to 5/8")	NUT-MIM-ER25	WRENCH-MIM-107446	WRENCH-MIM-112913

Note: Max Coolant Pressure 1015 PSI - Must use a minimum of a 5 micron coolant filter to prevent damage to the unit. Please refer to pages 73 - 76 for ER Series Collets and ER Tap Collets details.



ER32 OD Drill/Milling Unit

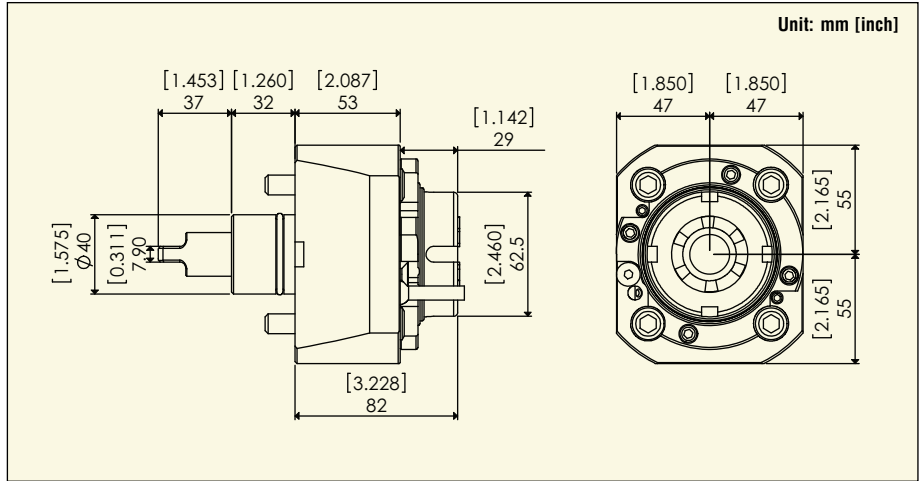
Part #: MNZ20-ER32X

Mori Seiki Part #: T32475



Clockwise Input

Clockwise Output



External or Internal Coolant	Radial/Axial	Max. RPM	Gear Ratio	Max. Torque Output	Collet Size	Replacement Nut	Coolant Nozzle	Spanner Wrench	
								for Spindle	for Nut
External	Radial	6000	1:1	21ft-lbs (28.5N-m)	ER32 (1/8" to 25/32")	NUT-ER321	TM100-31090	FK-9	WRENCH-ER321

Please refer to pages 73 - 76 for ER Series Collets and ER Tap Collets details.

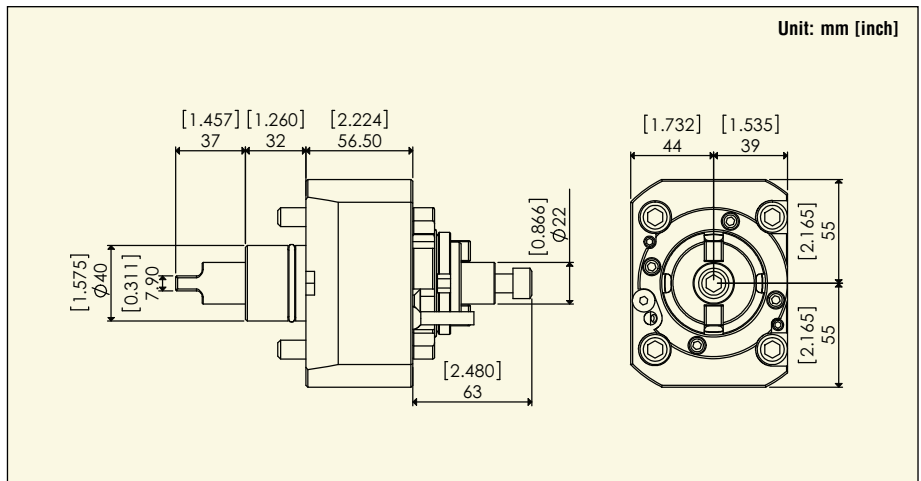
OD Shell Mill Unit with 22mm Mill Arbor

Part #: MNZ20-SM22MMX

Mori Seiki Part #: T32280

Clockwise Input

Clockwise Output



External or Internal Coolant	Radial/Axial	Max. RPM	Gear Ratio	Max. Torque Output	Arbor Size	Coolant Nozzle	Spanner Wrench for Spindle
External	Radial	2000	1:1	21ft.lbs (28.5N-m)	22mm	TM100-31090	FK-8

Replacement Arbor Screws for Shell Mill Holders available. See details on page 77.

20 Station - Live Tool



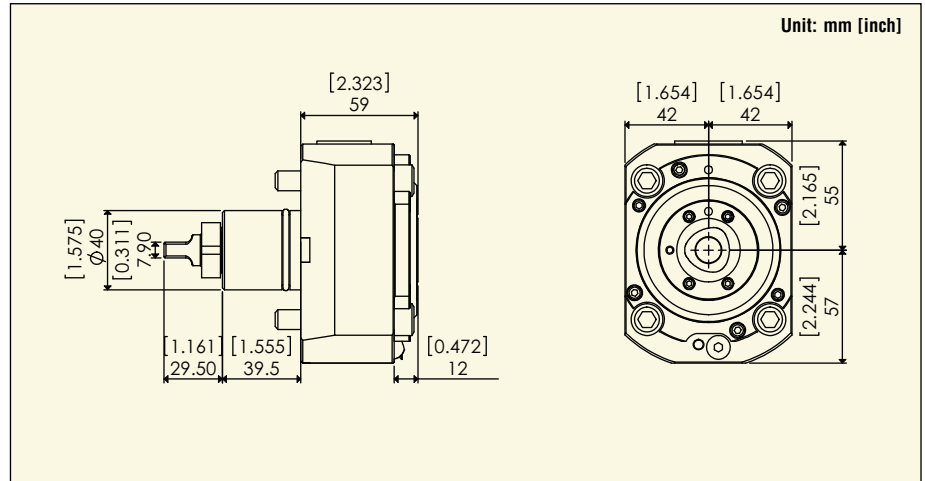
Capto C3 OD Drill/Milling Unit

Part #: MNZ20-CAPTO3X-HS Mori Seiki Part #: T32290



Clockwise Input

Clockwise Output



External or Internal Coolant	Radial/Axial	Max. RPM	Gear Ratio	Max. Torque Output	Capto Size	Coolant Nozzle	Torque Wrench
External	Radial	6000	1:1	21ft.lbs (28.5N-m)	C3	TV-12	TQW-150 + TQW-CAPTO3(12)

"Cam-Lock, Quick-Change" type tool. Please refer to pages 70 - 72 for Capto Holders and to page 78 for Torque Wrench details.

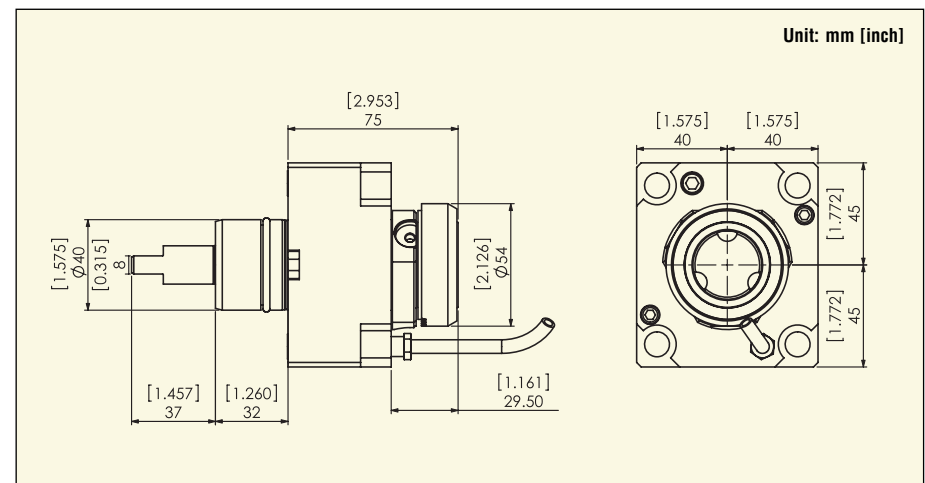
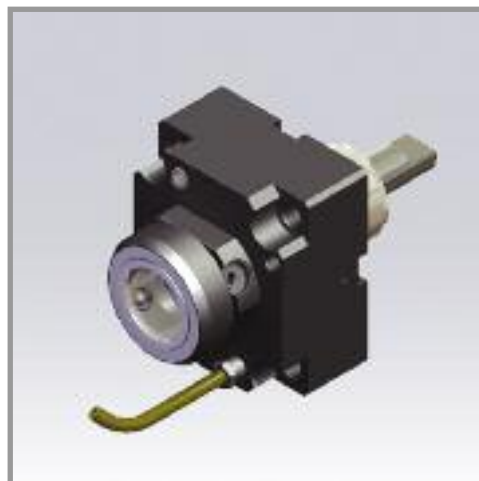
Mimatic MI40 Quick Change System OD Drill/Milling Unit

Part #: MNZ20-MI40X-C-7MP-MI



Clockwise Input

Clockwise Output



External or Internal Coolant	Radial/Axial	Max. RPM	Gear Ratio	Max. Torque Output	Max. Pressure (PSI)	Collet Size	Replacement Nut	Spanner Wrench	
								for Spindle	for Nut
Internal	Radial	6500	1:1	18ft.lbs (25N-m)	1000	n/a	n/a	n/a	WRENCH-MIM-170734

Note: Max Coolant Pressure 1015 PSI - Must use a minimum of a 5 micron coolant filter to prevent damage to the unit. Please refer to pages 67 - 69 for Mimatic MI attachments.



ER16 Face Drill/Milling Unit

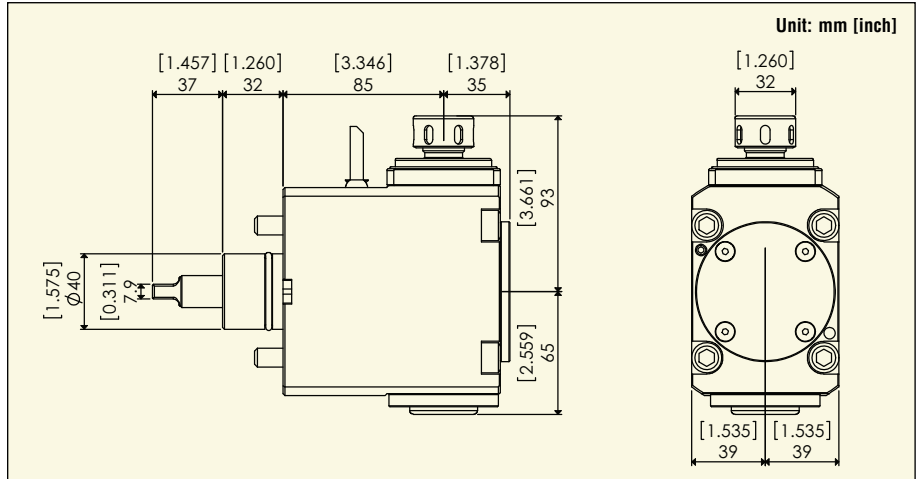
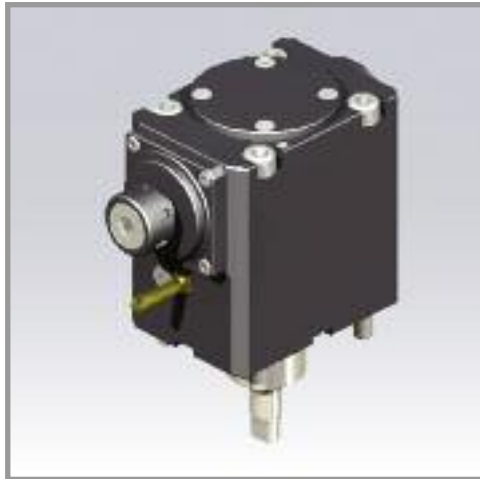
Part #: MNZ20-ER16Z-HS

Mori Seiki Part #: T32293



Counter Clockwise Input

Clockwise Output



External or Internal Coolant	Radial/Axial	Max. RPM	Gear Ratio	Max. Torque Output	Center Height (mm)	Collet Size	Replacement Nut	Coolant Nozzle	Spanner Wrench	
									for Spindle	for Nut
External	Axial	10000	1:1	21ft.lbs (28.5N-m)	85	ER16 (1/64" to 13/32")	NA16	TM100-31090	SP-41	FK-4

Please refer to pages 73 - 76 for ER Series Collets and ER Tap Collets details.

ER20 Face Drill/Milling Unit

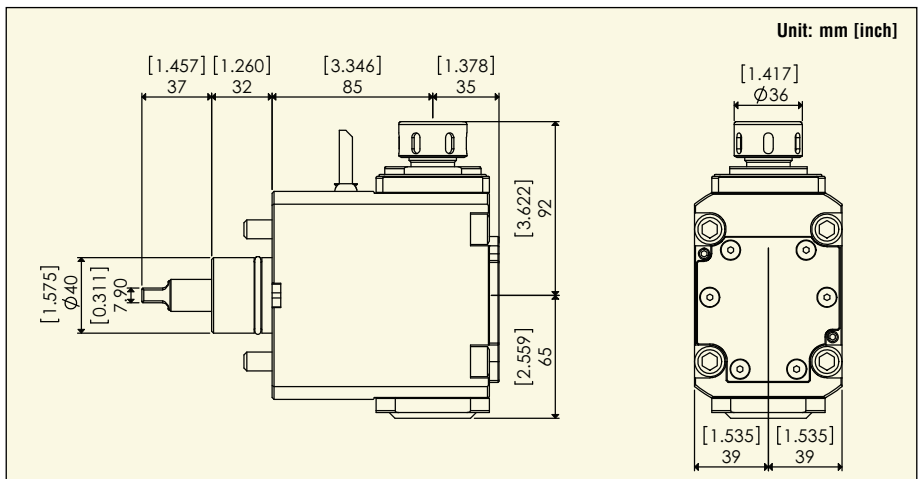
Part #: MNZ20-ER20Z

Mori Seiki Part #: T32255



Counter Clockwise Input

Clockwise Output



External or Internal Coolant	Radial/Axial	Max. RPM	Gear Ratio	Max. Torque Output	Center Height (mm)	Collet Size	Replacement Nut	Coolant Nozzle	Spanner Wrench	
									for Spindle	for Nut
External	Axial	6000	1:1	21ft.lbs (28.5N-m)	85	ER20 (1/16" to 1/2")	NA20	TM100-31090	SP-41	FK-5

Please refer to pages 73 - 76 for ER Series Collets and ER Tap Collets details.

20 Station - Live Tool



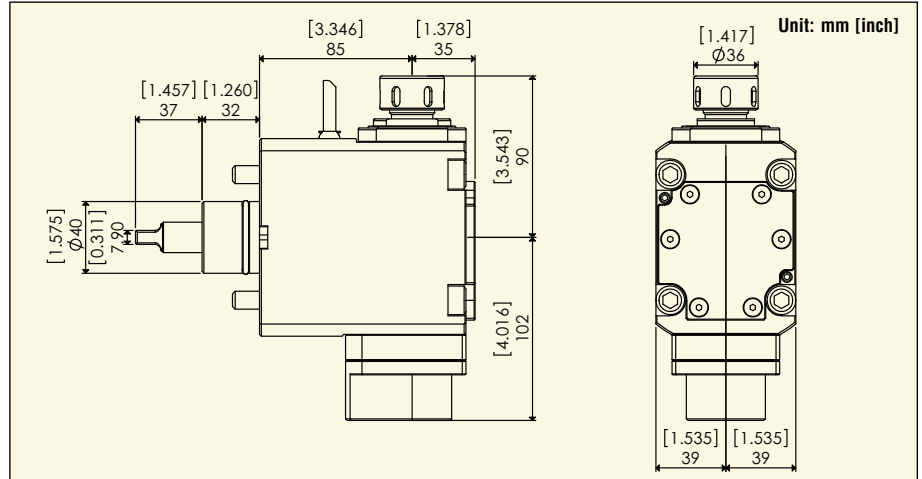
ER20 Face Drill/Milling Unit

Part #: MNZ20-ER20Z-C-7MP Mori Seiki Part #: T32288



Counter Clockwise Input

Clockwise Output



External or Internal Coolant	Radial/Axial	Max. RPM	Gear Ratio	Max. Torque Output	Max. Pressure (PSI)	Center Height (mm)	Collet Size	Replacement Nut	Coolant Nozzle	Spanner Wrench for Spindle	Spanner Wrench for Nut
Internal	Axial	6000	1:1	21ft.lbs (28.5N-m)	1000	85	ER20 (1/16" to 1/2")	NA20	TM100-31090	SP-32	FK-5

Note: Max Coolant Pressure 1015 PSI - Must use a minimum of a 5 micron coolant filter to prevent damage to the unit. Please refer to pages 73 - 76 for ER Series Collets and ER Tap Collets details.

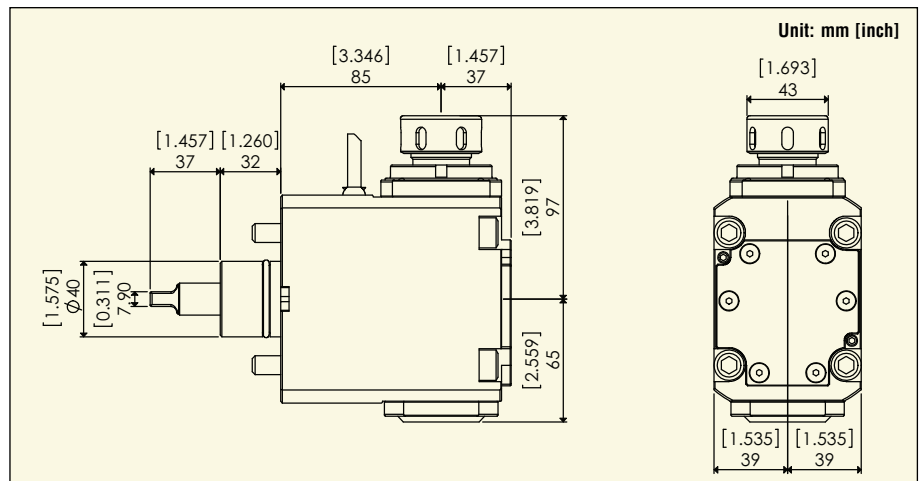
ER25 Face Drill/Milling Unit

Part #: MNZ20-ER25Z Mori Seiki Part #: T32275



Counter Clockwise Input

Clockwise Output



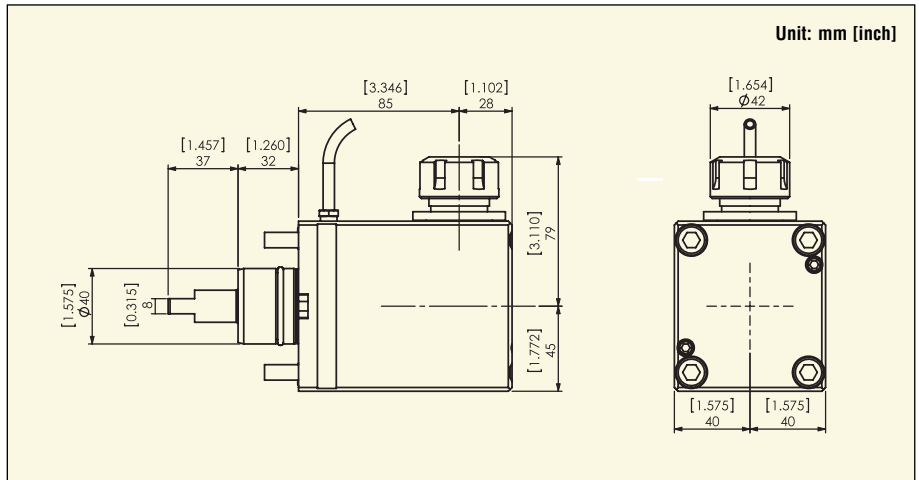
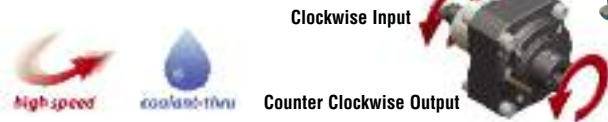
External or Internal Coolant	Radial/Axial	Max. RPM	Gear Ratio	Max. Torque Output	Center Height (mm)	Collet Size	Replacement Nut	Coolant Nozzle	Spanner Wrench for Spindle	Spanner Wrench for Nut
External	Axial	6000	1:1	21ft.lbs (28.5N-m)	85	ER25 (1/16" to 5/8")	NA25	TM100-31090	SP-41	FK-6

Please refer to pages 73 - 76 for ER Series Collets and ER Tap Collets details.



ER25 Face Drill/Milling Unit

Part #: MNZ20-ER25Z-C-7MP-MI



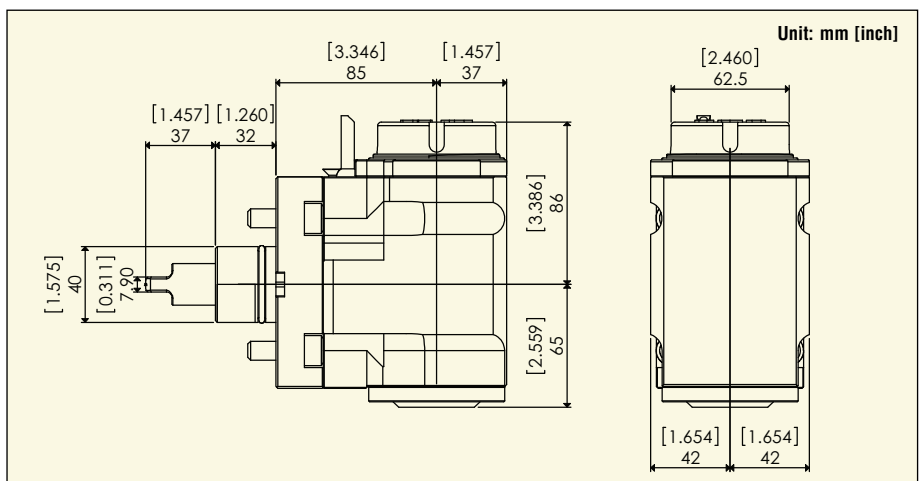
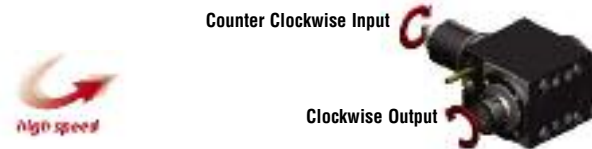
External or Internal Coolant	Radial/Axial	Max. RPM	Gear Ratio	Max. Torque Output	Max. Pressure (PSI)	Collet Size	Replacement Nut	Spanner Wrench	
								for Spindle	for Nut
Internal	Axial	6500	1:1	18ft-lbs (25N-m)	1000	ER25 (1/16" to 5/8")	NUT-MIM-ER25	WRENCH-MIM-112913	WRENCH-MIM-170734

Note: Max Coolant Pressure 1015 PSI - Must use a minimum of a 5 micron coolant filter to prevent damage to the unit. Please refer to pages 73 - 76 for ER Series Collets and ER Tap Collets details.

ER32 Face Drill/Milling Unit

Part #: MNZ20-ER32Z

Mori Seiki Part #: T32476



External or Internal Coolant	Radial/Axial	Max. RPM	Gear Ratio	Max. Torque Output	Center Height (mm)	Collet Size	Replacement Nut	Coolant Nozzle	Spanner Wrench	
									for Spindle	for Nut
External	Axial	6000	1:1	21ft.lbs (28.5N-m)	85	ER32 (1/8" to 25/32")	NUT-ER32I	TM100-31090	FK-9	WRENCH-ER32I

Please refer to pages 73 - 76 for ER Series Collets and ER Tap Collets details.



ER20 Face Drill/Milling Unit 2 Output (Main & Sub)

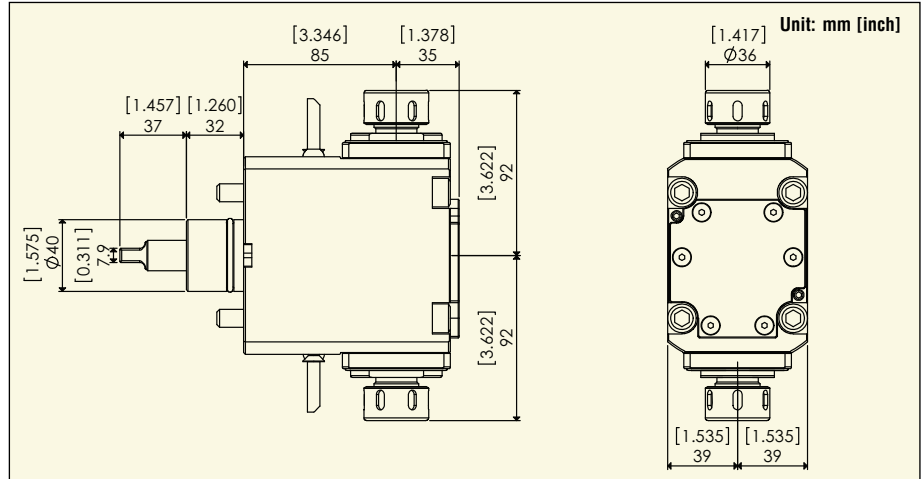
Part #: MNZ20-ER20Z-MS

Mori Seiki Part #: T32271



Counter Clockwise Input

Clockwise Output



External or Internal Coolant	Radial/Axial	Max. RPM	Gear Ratio	Max. Torque Output	Center Height (mm)	Collet Size	Replacement Nut	Coolant Nozzle	Spanner Wrench	
									for Spindle	for Nut
External	Z-Z	6000	1:1	21ft.lbs (28.5N-m)	85	ER20 (1/16" to 1/2")	NA20	TM100-31090	SP-41	FK-5

Please refer to pages 73 - 76 for ER Series Collets and ER Tap Collets details.

ER25 Face Drill/Milling Unit 2 Output (Main & Sub)

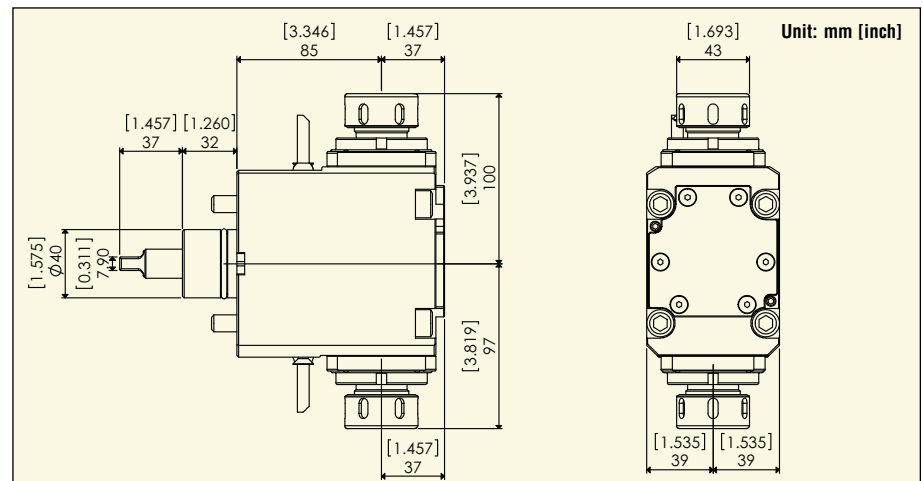
Part #: MNZ20-ER25Z-MS

Mori Seiki Part #: T32276



Counter Clockwise Input

Clockwise Output



External or Internal Coolant	Radial/Axial	Max. RPM	Gear Ratio	Max. Torque Output	Center Height (mm)	Collet Size	Replacement Nut	Coolant Nozzle	Spanner Wrench	
									for Spindle	for Nut
External	Z-Z	6000	1:1	21ft.lbs (28.5N-m)	85	ER25 (1/16" to 5/8")	NA25	TM100-31090	FK-8	FK-6

Please refer to pages 73 - 76 for ER Series Collets and ER Tap Collets details.



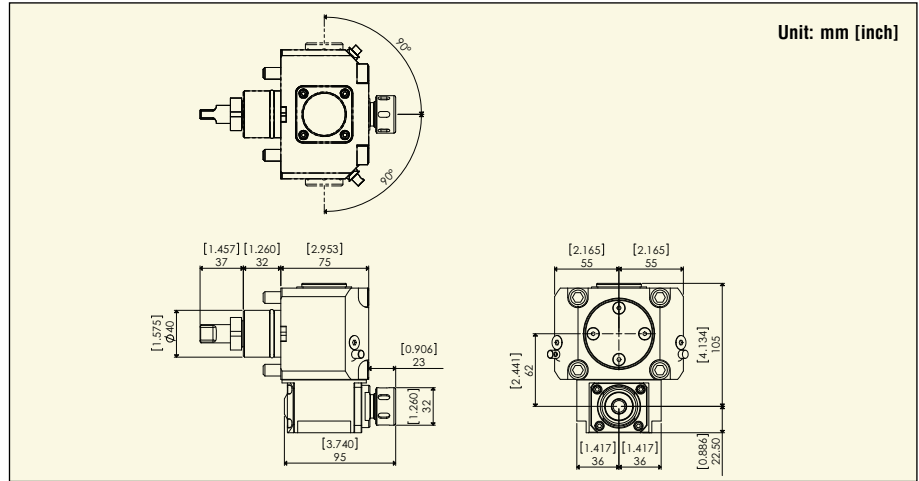
ER16 Adjustable Angle Drill/Milling Unit

Part #: MNZ20-ER16-AD

Mori Seiki Part #: T32289

Clockwise Input

Clockwise Output



External or Internal Coolant	Radial/Axial	Max. RPM	Gear Ratio	Max. Torque Output	Center Height (mm)	Collet Size	Replacement Nut	Coolant Nozzle	Spanner Wrench	
									for Spindle	for Nut
External	X-Z	4000	1:1	21ft.lbs (28.5N-m)	37	ER16 (1/64" to 13/32")	NA16	A1207-1405	SP-27	FK-4

Please refer to pages 73 - 76 for ER Series Collets and ER Tap Collets details.

Capto C3 Face Drill/Milling Unit

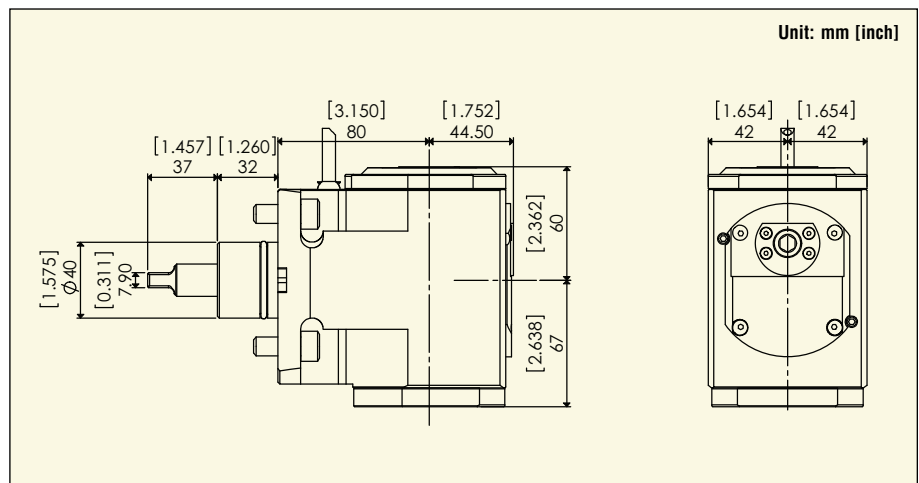
Part #: MNZ20-CAPTO3Z-HS

Mori Seiki Part #: T32291



Clockwise Input

Clockwise Output



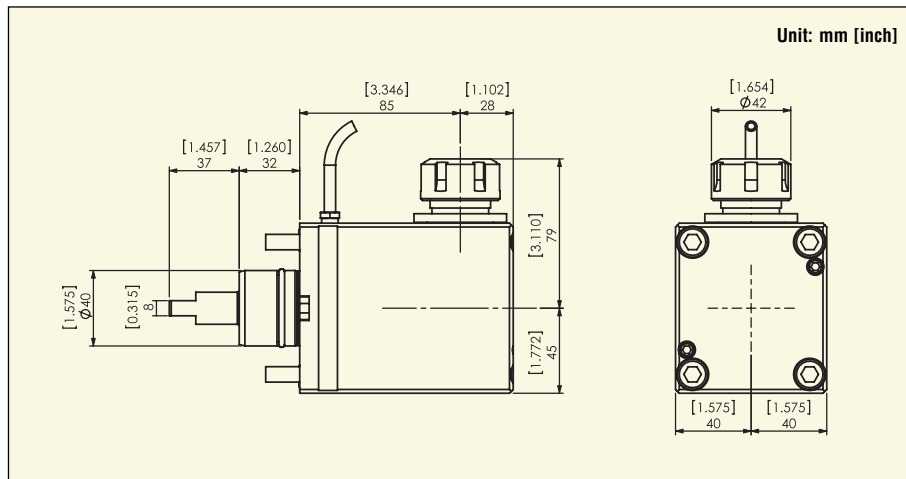
External or Internal Coolant	Radial/Axial	Max. RPM	Gear Ratio	Max. Torque Output	Max. Pressure (PSI)	Center Height (mm)	Capto Size	Coolant Nozzle	Torque Wrench
									External

"Cam-Lock, Quick-Change" type tool. Please refer to pages 70 - 72 for Capto Holders and to page 78 for Torque Wrench details.



Mimatic MI40 Quick Change System Face Drill/Milling Unit

Part #: MNZ20-MI40Z-C-7MP-MI



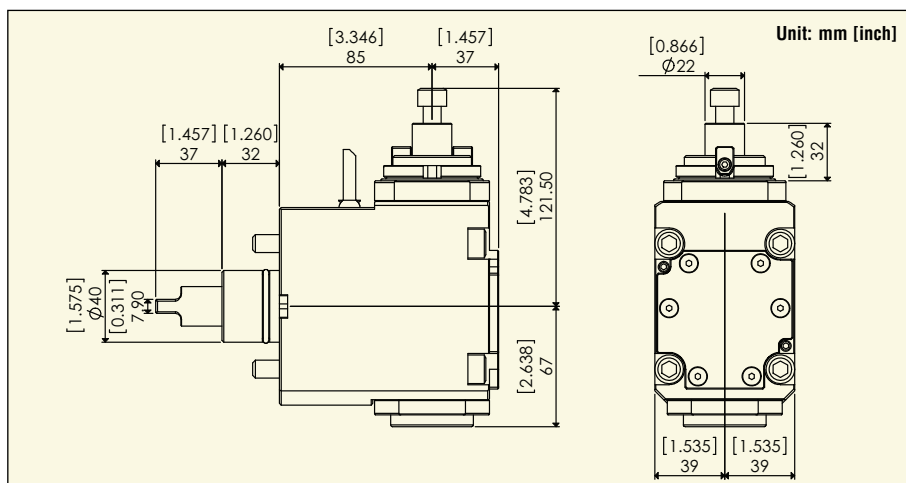
External or Internal Coolant	Radial/Axial	Max. RPM	Gear Ratio	Max. Torque Output	Max. Pressure (PSI)	MI Attachment Size	Replacement Nut	Spanner Wrench	
								for Spindle	for Nut
Internal	Axial	6500	1:1	18ft-lbs (25N-m)	1000	MI40	n/a	n/a	WRENCH-MIM-170734

Note: Max Coolant Pressure 1015 PSI - Must use a minimum of a 5 micron coolant filter to prevent damage to the unit. Please refer to pages 67 - 69 for Mimatic MI attachments.

Face Shell Mill Unit With 22mm Mill Arbor

Part #: MNZ20-SM22MMZ

Mori Seiki Part #: T32292



External or Internal Coolant	Radial/Axial	Max. RPM	Gear Ratio	Max. Torque Output	Max. Pressure (PSI)	Center Height (mm)	Arbor Size	Coolant Nozzle	Spanner Wrench for Spindle
External	Axial	2000	1:1	21ft.lbs (28.5N-m)	120	85	22mm	TM100-31090	FK-8

Replacement Arbor Screws for Shell Mill Holders available. See details on page 77.

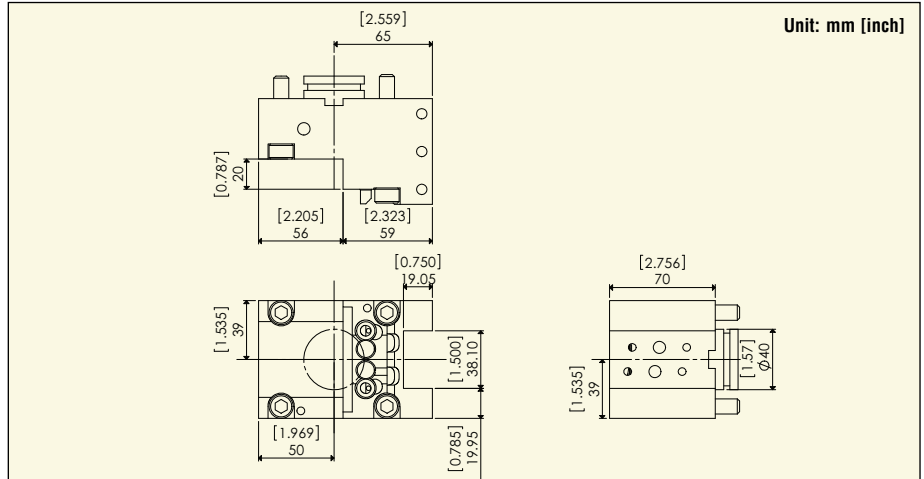
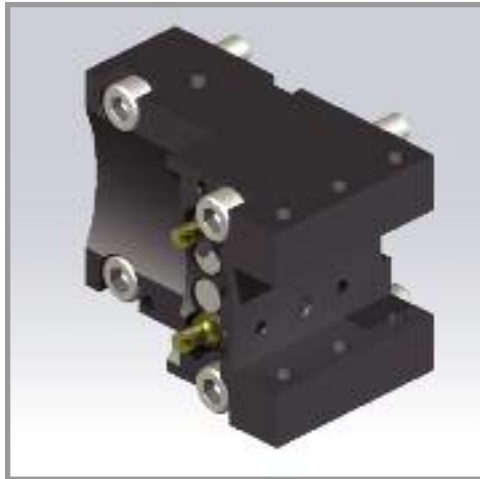
20 Station - Live Tool



3/4" OD Turning Holder, Short

Part #: MNZ20-OD75X

Mori Seiki Part #: T00234



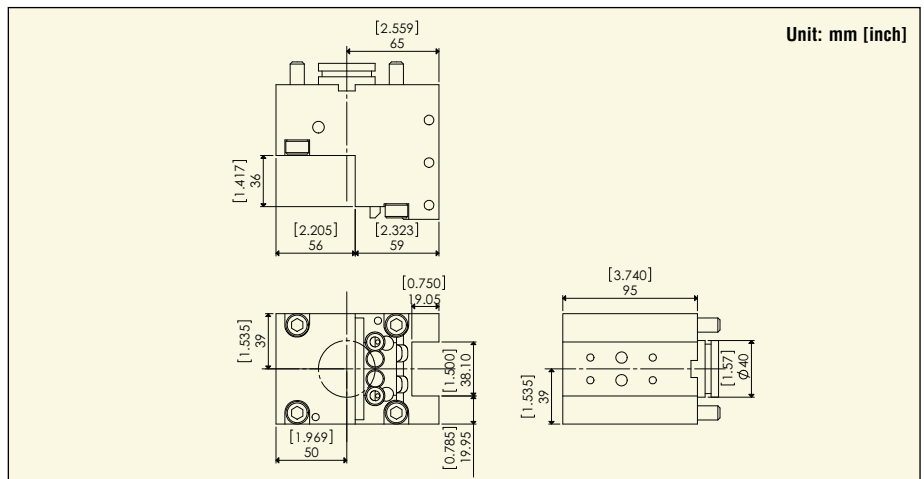
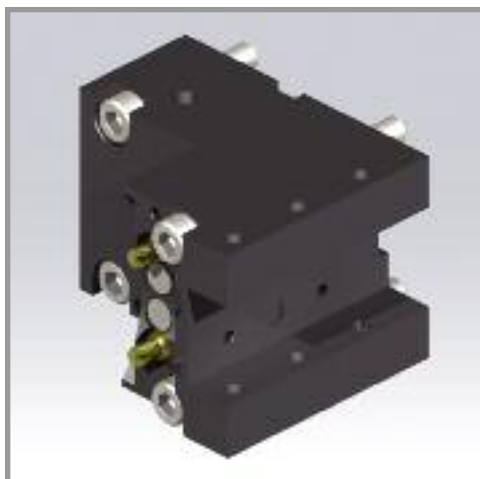
Description	Output Size	Shaft Diameter
3/4" OD Turning Holder, Short	0.75" (19mm)	1.57" (40mm)

Height from mounting face to the top is 2.75" (70mm)

3/4" OD Turning Holder, Long

Part #: MNZ20-OD75X-LG

Mori Seiki Part #: T00235



Description	Output Size	Shaft Diameter
3/4" OD Turning Holder, Long	0.75" (19mm)	1.57" (40mm)

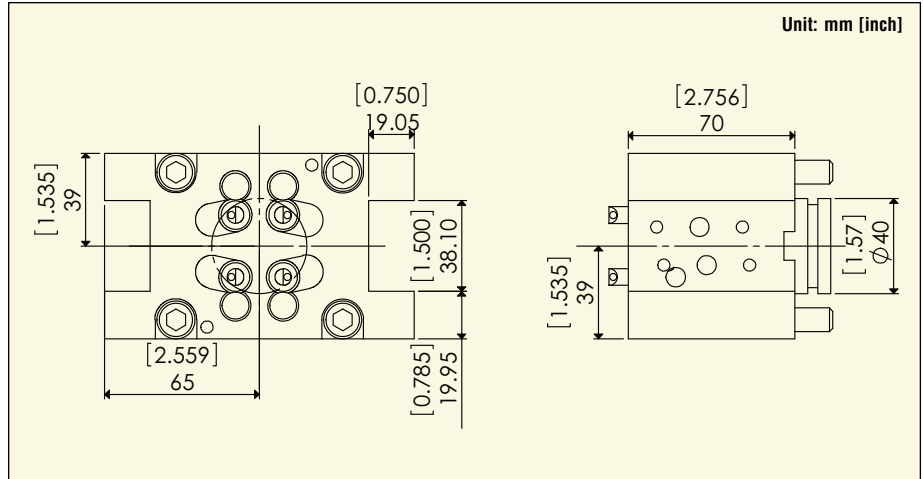
Height from mounting face to the top is 3.74" (95mm)



3/4" OD Turning Holder, Short 2 Output (Main & Sub)

Part #: MNZ20-OD75X-MS

Mori Seiki Part #: T00250



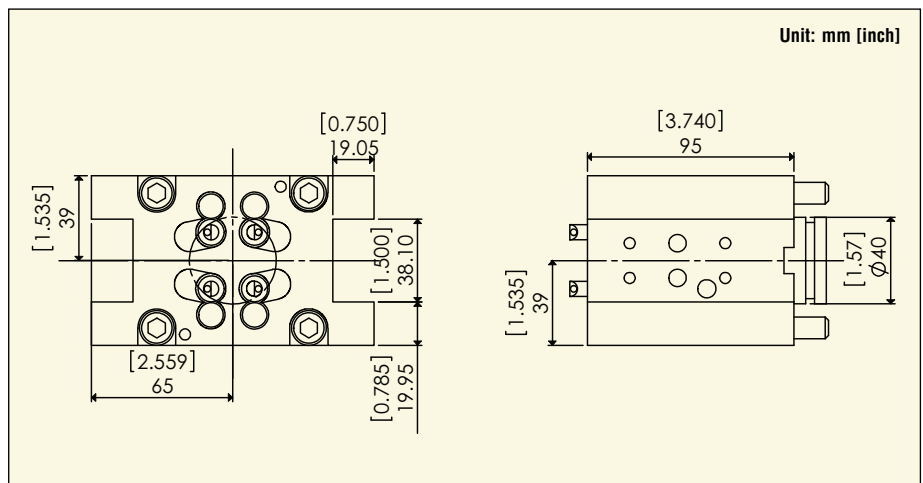
Description	Output Size	Shaft Diameter
3/4" OD Turning Holder, Short, 2 Output (Main & Sub)	0.75" (19mm)	1.57" (40mm)

Tool not suitable for Mori Seiki DuraTurn Series.

3/4" OD Turning Holder, Long 2 Output (Main & Sub)

Part #: MNZ20-OD75X-LG-MS

Mori Seiki Part #: T00249



Description	Output Size	Shaft Diameter
3/4" OD Turning Holder, Long, 2 Output (Main & Sub)	0.75" (19mm)	1.57" (40mm)

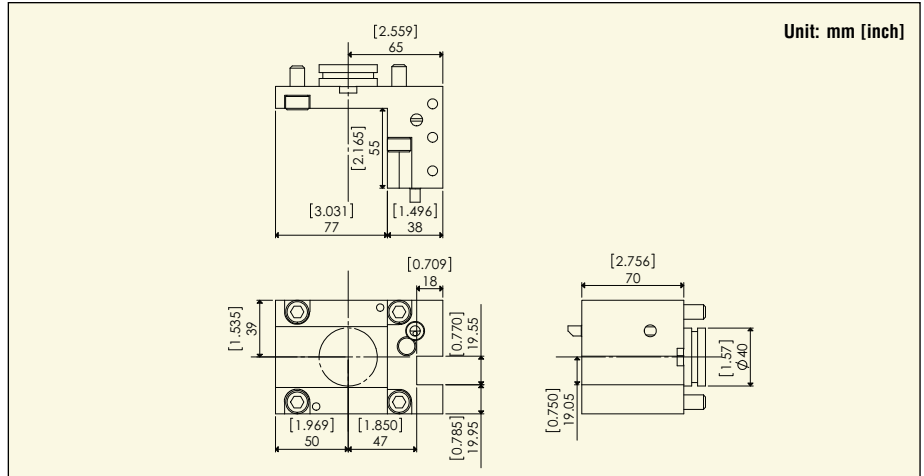
Tool not suitable for Mori Seiki DuraTurn Series.



3/4" Cut-Off Holder, Right Hand

Part #: MNZ20-C075

Mori Seiki Part #: T00252

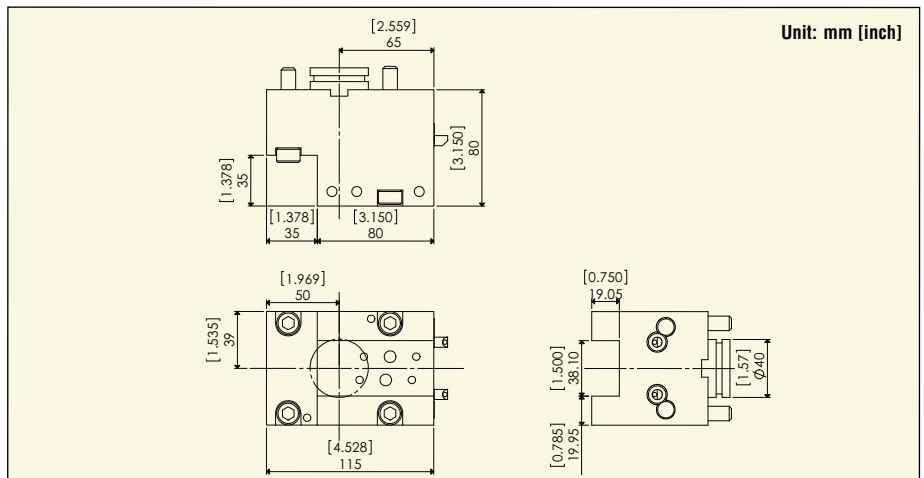
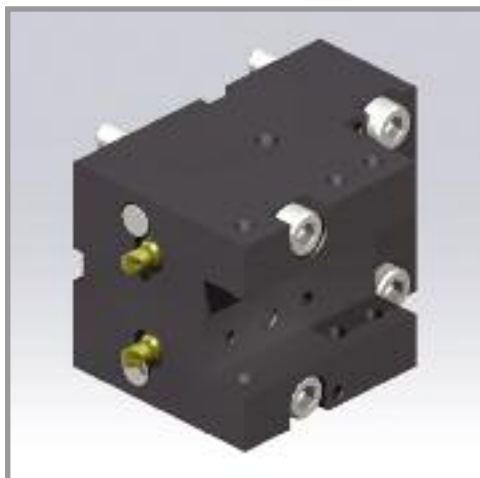


Description	Output Size	Shaft Diameter
3/4" Cut-Off Holder, Right Hand	0.75" (19mm)	1.57" (40mm)

3/4" ID Turning Holder

Part #: MNZ20-ID75Z

Mori Seiki Part #: T03018



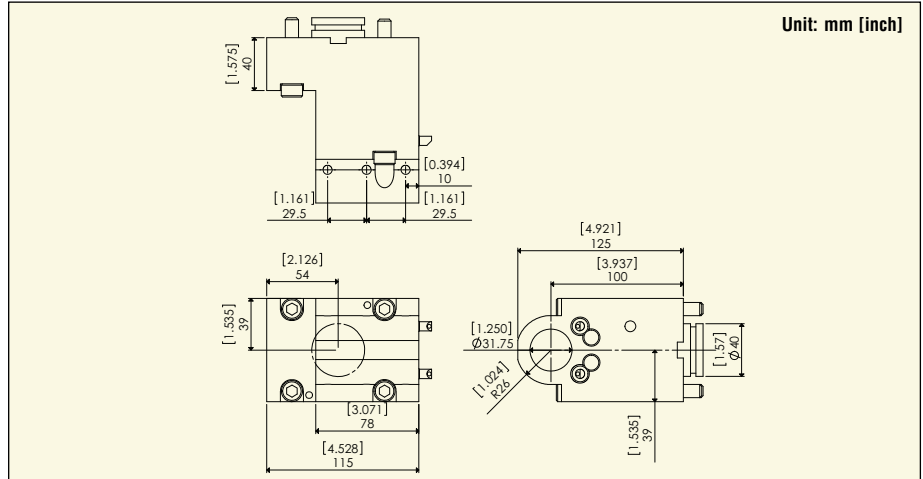
Description	Output Size	Shaft Diameter
3/4" ID Turning Holder	0.75" (19mm)	1.57" (40mm)



1.25" Boring Bar Holder

Part #: MNZ20-BG12Z

Mori Seiki Part #: T10119

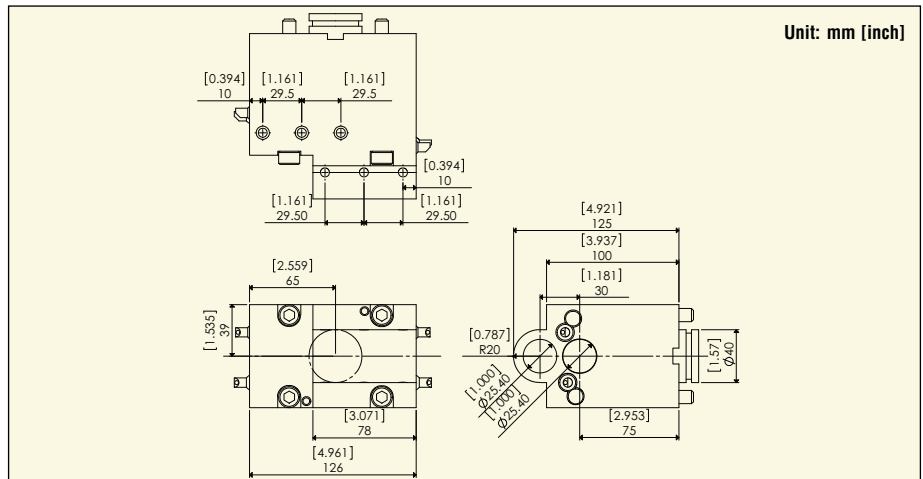


Description	Output Size	Shaft Diameter
1.25" Boring Bar Holder	1.25" (31.75mm)	1.57" (40mm)

1" Boring Bar Holder, 2 Output (Main & Sub)

Part #: MNZ20-BG10Z-MS

Mori Seiki Part #: T10139



Description	Output Size	Shaft Diameter
1" Boring Bar Holder, 2 Output (Main & Sub)	1" (25.4mm)	1.57" (40mm)

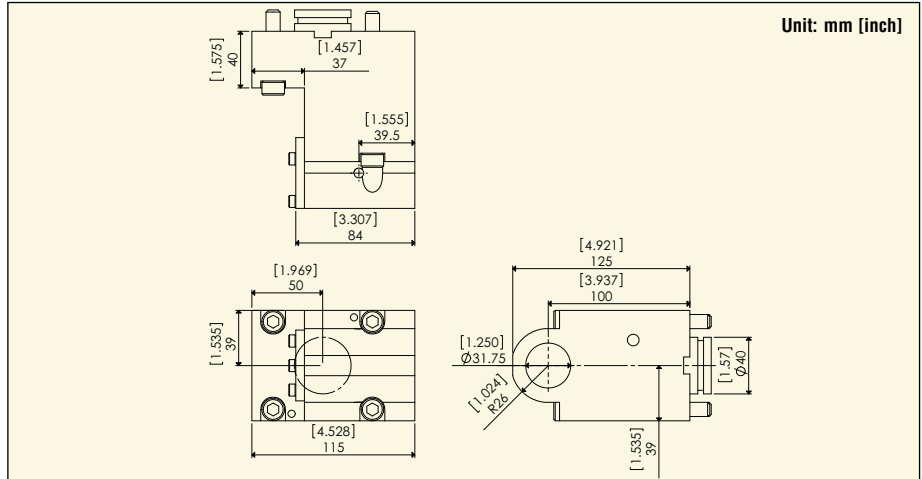
Tool not suitable for Mori Seiki DuraTurn Series.



1.25" Combination Holder

Part #: MNZ20-CH12Z-C

Mori Seiki Part #: T13135

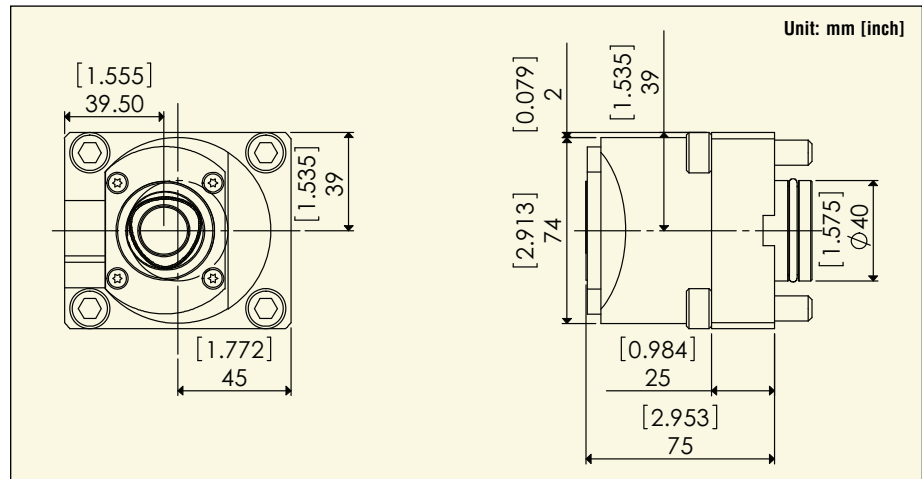


Description	Output Size	Shaft Diameter
1.25" Combination Holder	1.25" (31.75mm)	1.57" (40mm)

Capto C4 OD Holder

Part #: MNZ20-CAPTO4X-C-STAT

Mori Seiki Part #: T12074



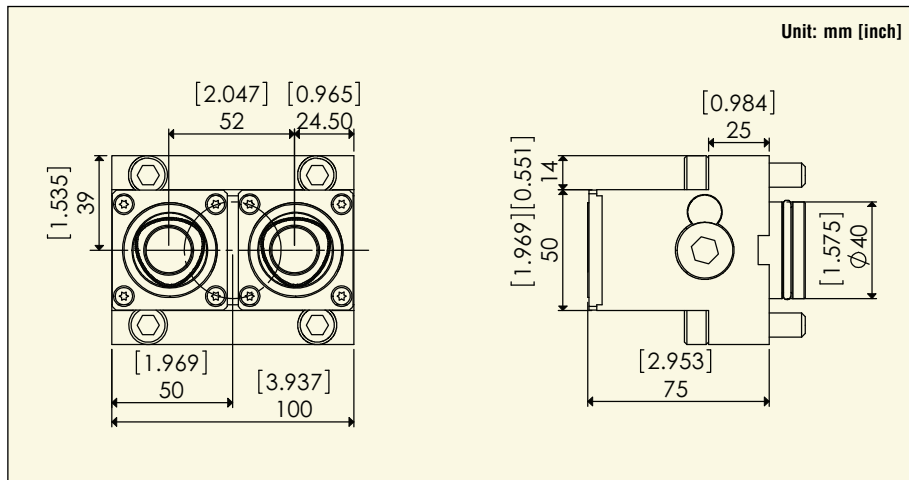
Description	Output Size	Shaft Diameter	Maximum Internal Pressure
Capto C4 OD Holder	C4	1.57" (40mm)	1000PSI

Internal sleeves can be rotated to accommodate for main/sub clockwise and counterclockwise spindle rotation for left or right hand turning tools. See page 66 for details.
 Note: Max Coolant Pressure 1015 PSI - Must use a minimum of a 5 micron coolant filter to prevent damage to the unit. "Cam-Lock, Quick-Change" type tool.



Capto C4 OD Holder 2 Output (Main & Sub)

Part #: MNZ20-CAPTO4X-MS-CST Mori Seiki Part #: AC4-AMS100-WA

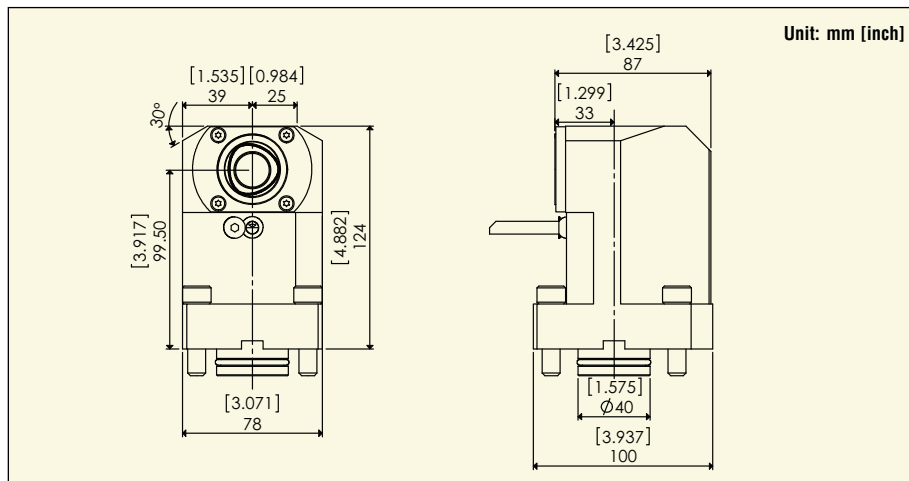


Description	Output Size	Shaft Diameter	Maximum Internal Pressure
Capto C4 OD Holder, 2 Output (Main & Sub)	C4	1.57" (40mm)	1000PSI

Internal sleeves can be rotated to accommodate for main/sub clockwise and counterclockwise spindle rotation for left or right hand turning tools. See page 66 for details.
Note: Max Coolant Pressure 1015 PSI - Must use a minimum of a 5 micron coolant filter to prevent damage to the unit. "Cam-Lock, Quick-Change" type tool.

Capto C4 ID Holder

Part #: MNZ20-CAPTO4Z-C-STAT Mori Seiki Part #: T12075



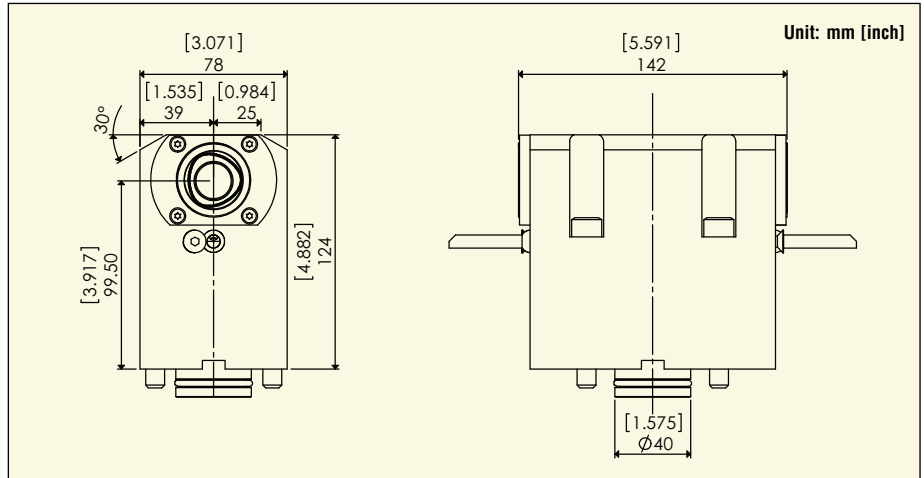
Description	Output Size	Shaft Diameter	Maximum Internal Pressure
Capto C4 ID Holder	C4	1.57" (40mm)	1000PSI

Internal sleeves can be rotated to accommodate for main/sub clockwise and counterclockwise spindle rotation for left or right hand turning tools. See page 66 for details.
Note: Max Coolant Pressure 1015 PSI - Must use a minimum of a 5 micron coolant filter to prevent damage to the unit. "Cam-Lock, Quick-Change" type tool.



Capto C4 ID Holder 2 Output (Main & Sub)

Part #: MNZ20-CAPTO4Z-MS-CST Mori Seiki Part #: AC4-AMS100-WB



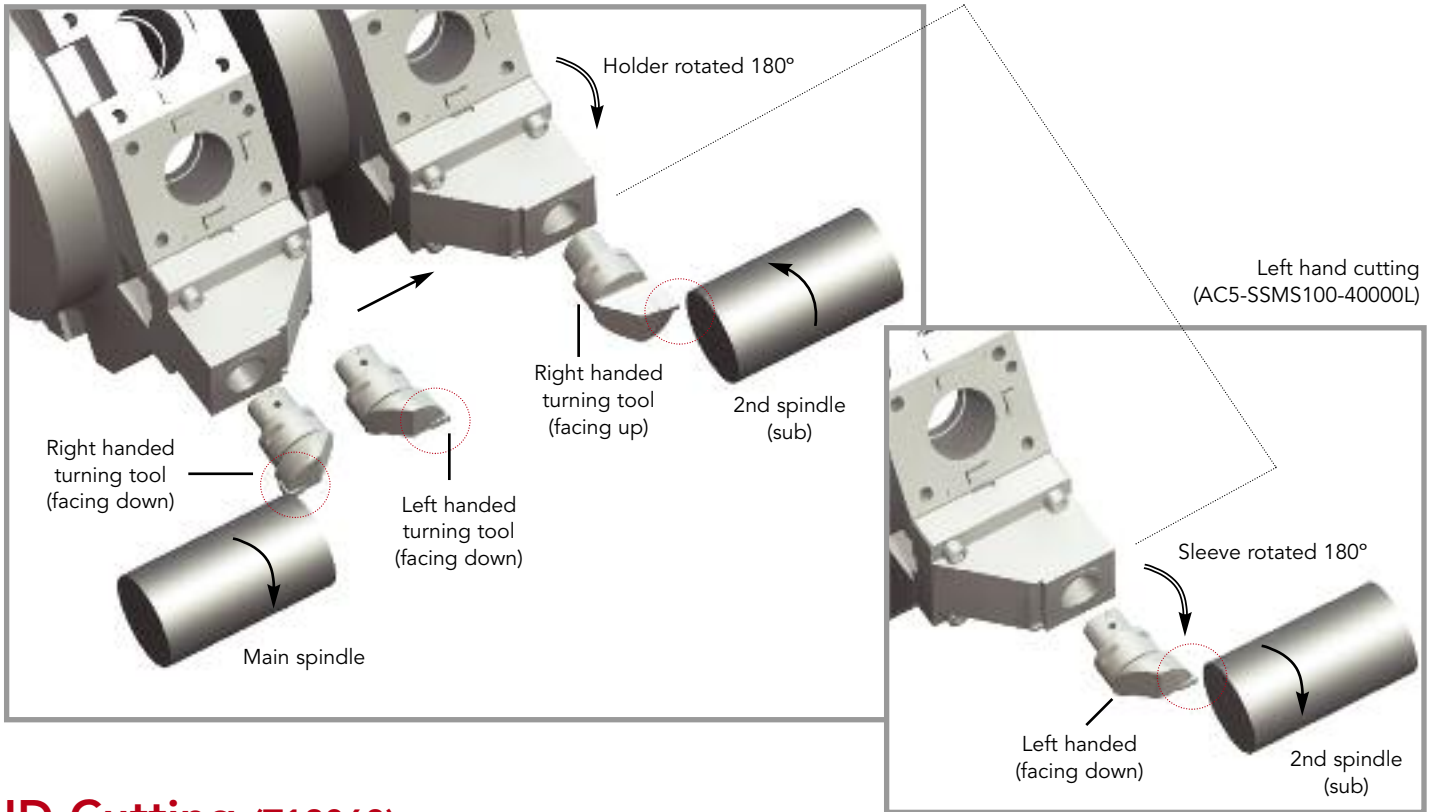
Description	Output Size	Shaft Diameter	Maximum Internal Pressure
Capto C4 ID Holder, 2 Output (Main & Sub)	C4	1.57" (40mm)	1000PSI

Internal sleeves can be rotated to accommodate for main/sub clockwise and counterclockwise spindle rotation for left or right hand turning tools. See page 66 for details.
 Note: Max Coolant Pressure 1015 PSI - Must use a minimum of a 5 micron coolant filter to prevent damage to the unit. "Cam-Lock, Quick-Change" type tool.

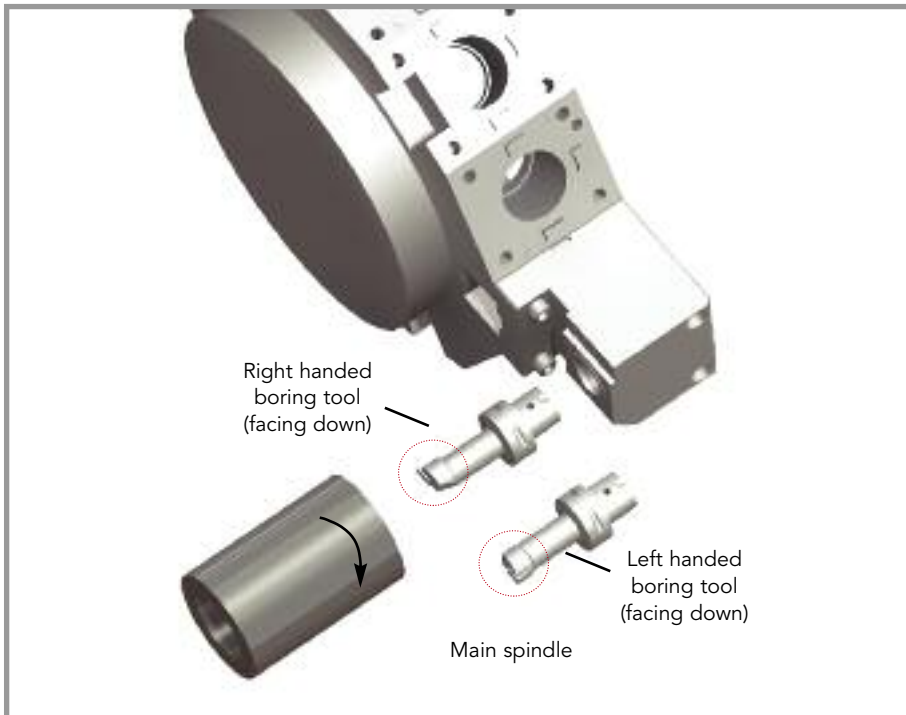
How to Choose Cutting Heads for Capto Static Tools

Internal sleeves can be rotated to accommodate for main/sub clockwise and counterclockwise spindle rotation for left or right hand turning tools.

OD Cutting (T00208)



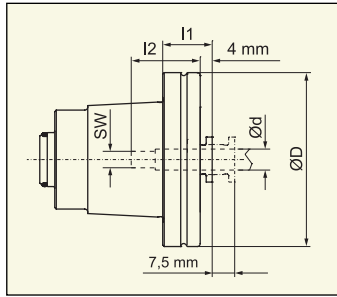
ID Cutting (T12068)



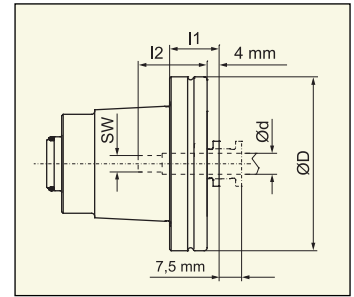
Mimatic® MI Attachments

SYNAX® Tapping Quick Change Holder

without internal coolant,
with synchronization and length
compensation



with internal coolant (70 bar),
only synchronization

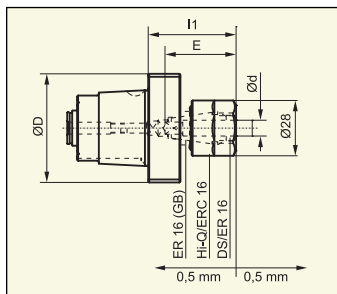


Part Number	Size	I1	I2	d	D	SW
MI40-TAP3.5	MI40	0.669"	0.984"	3.5mm (.138")	1.890"	0.106"
MI40-TAP4.5	MI40	0.669"	0.984"	4.5mm (.177")	1.890"	0.134"
MI40-TAP6	MI40	0.669"	1.063"	6mm (.236")	1.890"	0.193"
MI40-TAP8	MI40	0.669"	1.063"	8mm (.315")	1.890"	0.244"
MI40-TAP9	MI40	1.496"	1.102"	9mm (.354")	1.890"	0.276"
MI40-TAP10	MI40	1.496"	1.142"	10mm (.394")	1.890"	0.315"
MI40-TAP12	MI40	1.496"	1.181"	12mm (.472")	1.890"	0.354"
MI50-TAP3.5	MI50	0.650"	0.984"	3.5mm (.138")	2.283"	0.106"
MI50-TAP4.5	MI50	0.650"	0.984"	4.5mm (.177")	2.283"	0.134"
MI50-TAP6	MI50	0.650"	1.063"	6mm (.236")	2.283"	0.193"
MI50-TAP8	MI50	0.650"	1.063"	8mm (.315")	2.283"	0.244"
MI50-TAP9	MI50	0.650"	1.102"	9mm (.354")	2.283"	0.276"
MI50-TAP10	MI50	0.650"	1.142"	10mm (.394")	2.283"	0.315"
MI50-TAP12	MI50	0.650"	1.181"	12mm (.472")	2.283"	0.354"
MI50-TAP16	MI50	1.732"	1.299"	16mm (.630")	2.283"	0.472"

Part Number	Size	I1	I2	d	D	SW
MI40-TAP6C	MI40	0.669"	1.063"	6mm (.236")	1.890"	0.193"
MI40-TAP8C	MI40	0.669"	1.063"	8mm (.315")	1.890"	0.244"
MI40-TAP9C	MI40	1.496"	1.102"	9mm (.354")	1.890"	0.276"
MI40-TAP10C	MI40	1.496"	1.142"	10mm (.394")	1.890"	0.315"
MI40-TAP12C	MI40	1.496"	1.181"	12mm (.472")	1.890"	0.354"
MI50-TAP6C	MI50	0.650"	1.063"	6mm (.236")	2.283"	0.193"
MI50-TAP8C	MI50	0.650"	1.063"	8mm (.315")	2.283"	0.244"
MI50-TAP9C	MI50	0.650"	1.102"	9mm (.354")	2.283"	0.276"
MI50-TAP10C	MI50	0.650"	1.142"	10mm (.394")	2.283"	0.315"
MI50-TAP12C	MI50	0.650"	1.181"	12mm (.472")	2.283"	0.354"
MI50-TAP16C	MI50	1.732"	1.299"	16mm (.630")	2.283"	0.472"

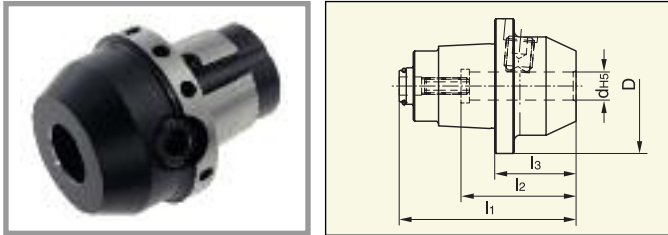
Softsynchro Chuck (Licence Emuge)

with internal coolant,
with push and pull length
compensation 0.5mm



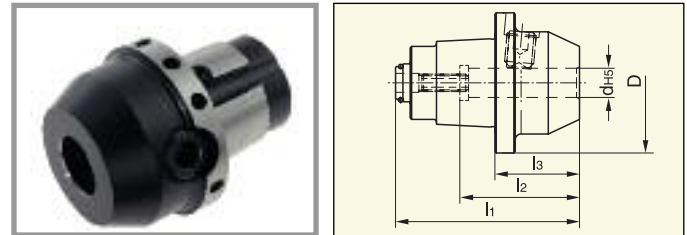
Part Number	Size	Collet	Thread	I1	d	D
MI40-ER-BG16	MI40	ER-GB16	M4-M12	1.870"	.177-.394"	1.772"
MI50-ER-BG16	MI50	ER-GB16	M4-M12	1.752"	.177-.394"	1.969"

Weldon Toolholder DIN 1835 B



Part Number	Size	l1	l2	l3	d(h5)	D
MI40-EM6	MI40	2.362"	1.457"	1.024"	6	1.890"
MI40-EM8	MI40	2.362"	1.457"	1.024"	8	1.890"
MI40-EM10	MI40	2.480"	1.614"	1.142"	10	1.890"
MI40-EM12	MI40	2.559"	1.811"	1.220"	12	1.890"
MI40-EM14	MI40	2.559"	1.811"	1.220"	14	1.890"
MI40-EM16	MI40	2.677"	1.929"	1.339"	16	1.890"
MI40-EM1/4	MI40	2.362"	1.457"	1.024"	1/4"	1.890"
MI40-EM3/8	MI40	2.480"	1.614"	1.142"	3/8"	1.890"
MI40-EM1/2	MI40	2.559"	1.811"	1.220"	1/2"	1.890"
MI40-EM5/8	MI40	2.677"	1.929"	1.339"	5/8"	1.890"
MI50-EM6	MI50	2.559"	1.457"	0.945"	6	2.283"
MI50-EM8	MI50	2.598"	1.614"	0.984"	8	2.283"
MI50-EM10	MI50	2.756"	1.811"	1.142"	10	2.283"
MI50-EM12	MI50	2.874"	1.929"	1.260"	12	2.283"
MI50-EM14	MI50	2.874"	1.457"	1.260"	14	2.283"
MI50-EM16	MI50	2.913"	1.614"	1.299"	16	2.283"
MI50-EM20	MI50	3.071"	1.811"	1.457"	20	2.283"
MI50-EM1/4	MI50	2.559"	1.457"	0.945"	1/4"	2.283"
MI50-EM3/8	MI50	1.575"	1.614"	1.142"	3/8"	2.283"
MI50-EM1/2	MI50	2.874"	1.811"	1.260"	1/2"	2.283"
MI50-EM5/8	MI50	2.953"	1.929"	1.339"	5/8"	2.283"
MI50-EM3/4	MI50	3.071"	2.008"	1.457"	3/4"	2.283"

Whistle Notch Toolholder DIN 1835 E

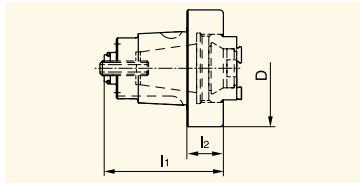


Part Number	Size	l1	l2	l3	d(h5)	D
MI40-EM6A	MI40	2.362"	1.417"	1.024"	6	1.890"
MI40-EM8A	MI40	2.362"	1.417"	1.024"	8	1.890"
MI40-EM10A	MI40	2.480"	1.575"	1.142"	10	1.890"
MI40-EM12A	MI40	2.559"	1.772"	1.220"	12	1.890"
MI40-EM14A	MI40	2.559"	1.772"	1.220"	14	1.890"
MI40-EM16A	MI40	2.677"	1.890"	1.339"	16	1.890"
MI40-EM1/4A	MI40	2.362"	1.417"	1.024"	1/4"	1.890"
MI40-EM3/8A	MI40	2.480"	1.575"	1.142"	3/8"	1.890"
MI40-EM1/2A	MI40	2.559"	1.772"	1.220"	1/2"	1.890"
MI40-EM5/8A	MI40	2.677"	1.890"	1.339"	5/8"	1.890"
MI50-EM6A	MI50	2.559"	1.417"	0.945"	6	2.283"
MI50-EM8A	MI50	2.598"	1.417"	0.984"	8	2.283"
MI50-EM10A	MI50	2.756"	1.575"	1.142"	10	2.283"
MI50-EM12A	MI50	2.874"	1.772"	1.260"	12	2.283"
MI50-EM14A	MI50	2.874"	1.772"	1.260"	14	2.283"
MI50-EM16A	MI50	2.972"	1.890"	1.358"	16	2.283"
MI50-EM20A	MI50	3.071"	1.969"	1.457"	20	2.283"
MI50-EM1/4A	MI50	2.559"	1.417"	0.945"	1/4"	2.283"
MI50-EM3/8A	MI50	2.756"	1.575"	1.142"	3/8"	2.283"
MI50-EM1/2A	MI50	2.874"	1.772"	1.260"	1/2"	2.283"
MI50-EM5/8A	MI50	2.953"	1.890"	1.339"	5/8"	2.283"
MI50-EM3/4A	MI50	3.071"	1.969"	1.457"	3/4"	2.283"

Mimatic® MI Attachments

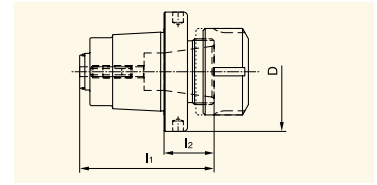
Collet Chuck DIN 6499 - Type ER

Short type, clamping nut inside



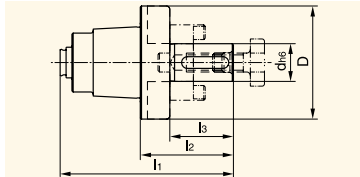
Part Number	Size	Collet	l1	l2	D
MI40-ER16I	MI40	ER16	1.772"	0.433"	1.890"
MI40-ER20I	MI40	ER20	1.929"	0.591"	1.890"
MI40-ER25I	MI40	ER25	2.165"	0.827"	1.890"
MI50-ER25I	MI50	ER25	2.165"	0.551"	2.283"
MI50-ER32I	MI50	ER32	2.323"	0.709"	2.283"

Long type, clamping nut outside



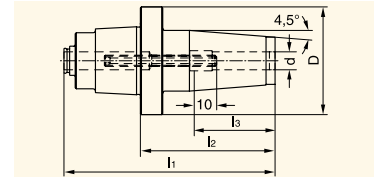
Part Number	Size	Collet	l1	l2	D
MI40-ER16	MI40	ER16	2.283"	0.945"	1.890"
MI40-ER20	MI40	ER20	2.520"	1.181"	1.890"
MI50-ER25	MI50	ER25	2.571"	1.614"	2.283"
MI50-ER32	MI50	ER32	2.835"	1.850"	2.283"

Combination Shell End Mill Arbor



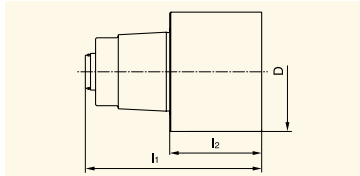
Part Number	Size	l1	l2	l3	d(h6)	D
MI40-SM16	MI40	2.894"	1.555"	0.984"	16mm (.630")	1.890"
MI50-SM16	MI50	3.228"	1.614"	1.063"	16mm (.630")	2.283"
MI50-SM22	MI50	3.465"	1.850"	1.220"	22mm (.866")	2.283"
MI50-SM3/4	MI50	3.150"	1.496"	1.260"	.750" (3/4")	2.283"

Shrink Fit Chuck



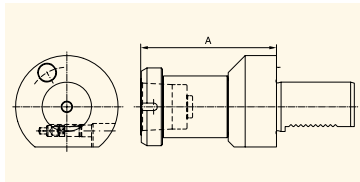
Part Number	Size	l1	l2	l3	d(h6)	D
MI40-SF8	MI40	3.701"	2.362"	1.417"	8mm (.315")	1.890"
MI40-SF10	MI40	3.701"	2.362"	1.654"	10mm (.394")	1.890"
MI40-SF12	MI40	3.898"	2.559"	1.850"	12mm (.472")	1.890"
MI40-SF16	MI40	4.094"	2.756"	1.969"	16mm (.630")	1.890"
MI50-SF8	MI50	3.976"	2.362"	1.417"	8mm (.315")	2.283"
MI50-SF10	MI50	3.976"	2.362"	1.654"	10mm (.394")	2.283"
MI50-SF12	MI50	4.137"	2.559"	1.850"	12mm (.472")	2.283"
MI50-SF14	MI50	4.137"	2.559"	1.850"	14mm (.551")	2.283"
MI50-SF16	MI50	4.370"	2.756"	1.969"	16mm (.630")	2.283"
MI50-SF18	MI50	4.567"	2.953"	1.969"	18mm (.709")	2.283"
MI50-SF20	MI50	4.567"	2.953"	2.047"	20mm (.787")	2.283"

Blank



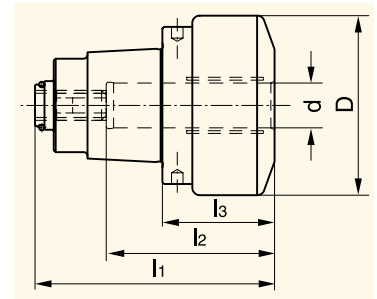
Part Number	Size	l1	l2	D
MI40-BLANK	MI40	3.701"	2.362"	1.890"
MI50-BLANK	MI50	4.370"	2.756"	2.283"

Tool Presetting Unit



Part Number	Size	VDI	A
MI40-PRESET-VDI40	MI40	2.520"	108mm
MI50-PRESET-VDI40	MI50	2.795"	110mm

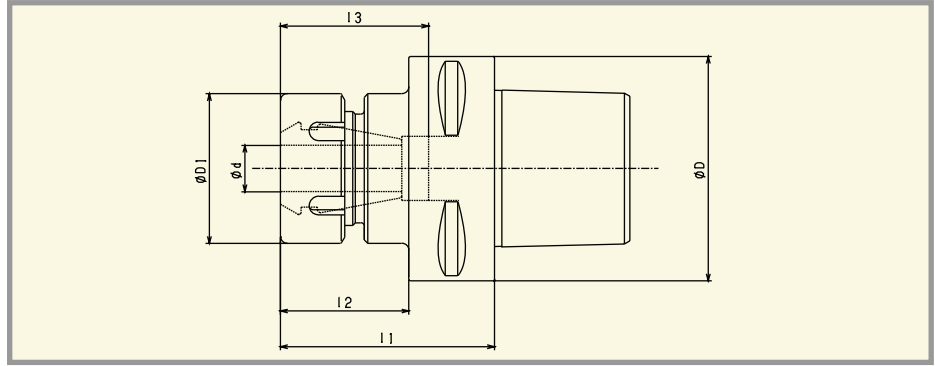
Hydraulic Chuck



Part Number	Size	l1	l2	l3	d(h6)	D
MI40-HC12	MI40	2.520"	1.772"	1.181"	12mm (.472")	1.890"
MI50-HC20	MI50	2.795"	2.047"	1.181"	20mm (.787")	2.283"

Capto ER Collet Chucks and Tap Holders

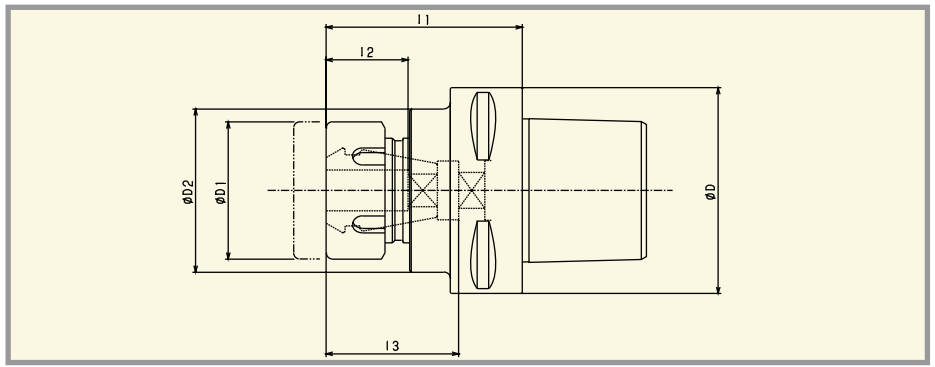
Capto ER Collet Chuck Holders



Part Number	Collet Size	d	D		D1		I1		I2		I3		Nut Wrench
			mm	inch	mm	inch	mm	inch	mm	inch	mm	inch	
AC3 - ECH10F - 35	ER16	1-10	32	1.260	30	1.818	35	1.378	21	0.827	33.0	1.299	FK-4
AC3 - ECH13F - 43	ER20	1-13	32	1.260	35	1.378	43	1.693	-	-	37.0	1.457	FK-5
AC4 - ECH13F - 45	ER20	1-13	40	1.575	35	1.378	45	1.772	25	0.984	37.0	1.457	FK-5
AC4 - ECH16F - 50	ER25	1-16	40	1.575	42	1.654	40	1.969	-	-	41.5	1.634	FK-6
AC4 - ECH20F - 55	ER32	3-20	40	1.575	50	1.969	55	2.165	-	-	47.5	1.870	FK-7
AC5 - ECH7F - 60	ER11	0.5-7	50	1.969	23	1.906	60	2.362	38	1.496	22.5	0.866	FK-3
AC5 - ECH7F - 90	ER11	0.5-7	50	1.969	23	1.906	90	3.543	68	2.677	22.5	0.866	FK-3
AC5 - ECH10F - 60	ER16	1-10	50	1.969	30	1.818	60	2.362	38	1.496	33.0	1.299	FK-4
AC5 - ECH10F - 90	ER16	1-10	50	1.969	30	1.818	90	3.543	68	2.677	33.0	1.299	FK-4
AC5 - ECH13F - 60	ER20	1-13	50	1.969	35	1.378	60	2.362	38	1.496	37.0	1.457	FK-5
AC5 - ECH13F - 90	ER20	1-13	50	1.969	35	1.378	90	3.543	68	2.677	37.0	1.457	FK-5
AC5 - ECH16F - 60	ER25	1-16	50	1.969	42	1.654	60	2.362	38	1.496	41.5	1.634	FK-6
AC5 - ECH16F - 90	ER25	1-16	50	1.969	42	1.654	90	3.543	68	2.677	41.5	1.634	FK-6
AC5 - ECH20F - 60	ER32	3-20	50	1.969	50	1.969	60	2.362	-	-	47.5	1.870	FK-7
AC5 - ECH20F - 90	ER32	3-20	50	1.969	50	1.969	90	3.543	-	-	47.5	1.870	FK-7
AC5 - ECH26F - 70	ER40	3-26	50	1.969	61.5	2.421	70	2.756	-	-	54.5	2.146	FK-9

Please refer to pages 57 - 60 for ER Series Collets details.

Capto ER Tap Holders



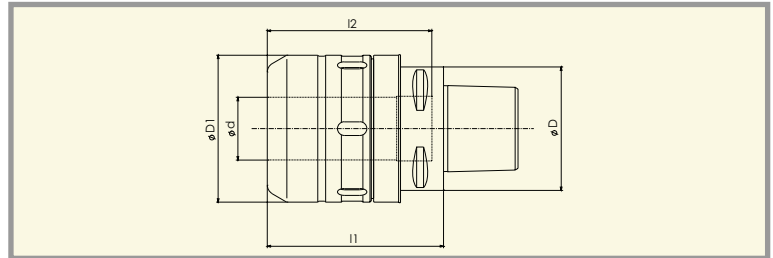
Part Number	Collet Size	Tap Size		Axial Ext.		D		D1		D2		I1		I2		I3		Nut	Nut Wrench	Setting Wrench
		mm	inch	mm	inch	mm	inch	mm	inch	mm	inch	mm	inch	mm	inch					
AC3-ETH10M-44	ER16	M4-M12	#6 to 7/16	8	0.315	32	1.260	22	0.866	32	1.260	40	1.732	27	1.063	32	1.260	NA16M	E16M	SP15
AC4-ETH13F-50	ER20	M4-M14	#6 to 1/2	10	0.394	40	1.575	35	1.378	40	1.575	50	1.969	31	1.220	36	1.417	NA20F	FK-5	SP21
AC5-ETH13F-60	ER20	M4-M14	#6 to 1/2	10	0.394	50	1.969	35	1.378	40	1.575	60	2.362	31	1.220	36	1.417	NA20F	FK-5	SP21
AC5-ETH16F-60	ER25	M6-M18	1/4 to 5/8	10	0.394	50	1.969	42	1.654	50	1.969	60	2.362	35	1.378	40.5	1.594	NA25F	FK-6	SP27

Please refer to pages 57 - 60 for Capto ER Tap Holders details.

Capto Milling Chuck, Morse Taper and End Mill Holders



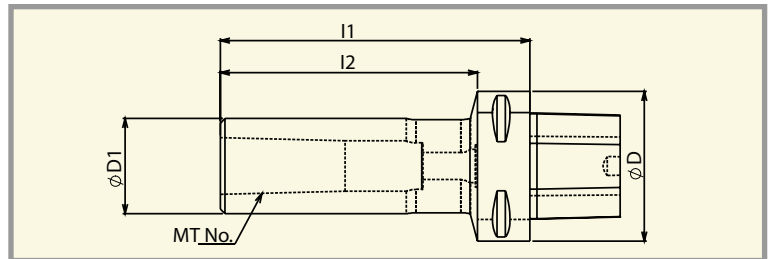
Capto Milling Chuck Holders



Part Number	Collet Size	d		D		D1		I1		I2		Nut Wrench
		mm	inch	mm	inch	mm	inch	mm	inch	mm	inch	
AC4-TRX16-70	AS16	16	0.630	40	1.575	45	1.772	70	2.756	65	2.559	FK-6
AC4-TRX20-75	AS20	20	0.787	40	1.575	52	2.047	75	2.953	69	2.717	FK-8
AC4-TRX5/8-70	AS5/8	15.875	0.625	40	1.575	45	1.772	70	2.756	65	2.559	FK-6
AC4-TRX3/4-75	ASS3/4	19.05	0.750	40	1.575	52	2.047	75	2.953	69	2.717	FK-8

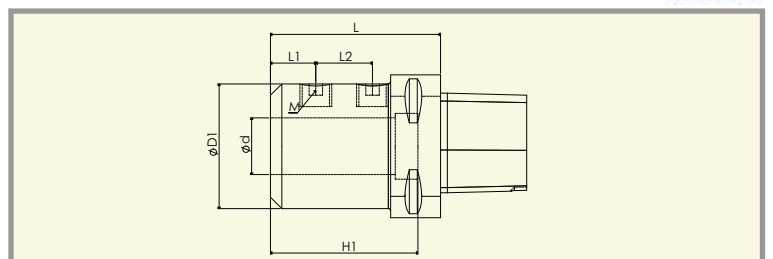
Please refer to page 55 for Milling Chuck KM Collets details.

Capto Morse Taper Holders



Part Number	Taper Size	D		D1		I1		I2		Drawing Bolt
		mm	inch	mm	inch	mm	inch	mm	inch	
AC3-MTA1-90	1	32	1.260	25	0.984	90	3.543	71.5	2.815	M6*30
AC3-MTA2-95	2	32	1.260	32	1.260	95	3.740	80	3.150	NA
AC4-MTA1-90	1	40	1.575	25	0.984	90	3.543	68	2.677	M6*30
AC4-MTA2-95	2	40	1.575	32	1.260	95	3.740	73	2.874	NA
AC4-MTA3-115	3	40	1.575	40	1.575	115	4.528	95	3.740	NA
AC5-MTA2-105	2	50	1.969	32	1.260	105	4.134	82	3.228	M10*35 (special)
AC5-MTA3-115	3	50	1.969	40	1.575	115	4.528	92	3.622	NA
AC5-MTA4-145	4	50	1.969	52	2.047	145	5.709	125	4.921	NA

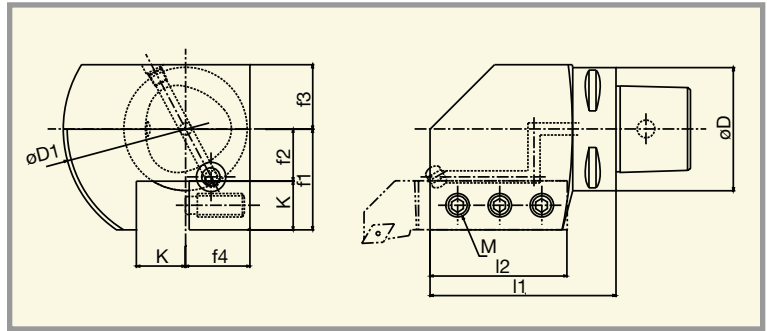
Capto End Mill Holders



Part Number	d		D1		L		H1		L1		L2		M	
	mm	inch	mm	inch	mm	inch	mm	inch	mm	inch	mm	inch	mm	inch
AC5-SLA20-65	20	0.787	50	1.969	65	2.559	60	2.362	17	0.669	20	0.787	10	0.394
AC5-SLA25-75	25	0.984	55	2.165	75	2.953	65	2.559	20	0.787	25	0.984	12	0.472
AC5-SLA32-80	32	1.260	60	2.362	80	3.150	70	2.756	23	0.906	25	0.984	16	0.630
AC5-SLA3/4-65	19.05	0.750	50	1.969	65	2.559	60	2.362	17	0.669	20	0.787	10	0.394
AC5-SLA1-75	25.4	1.000	55	2.165	75	2.953	65	2.559	20	0.787	25	0.984	12	0.472
AC5-SLA5/4-80	31.875	1.255	60	2.362	80	3.150	70	2.756	23	0.906	25	0.984	16	0.630

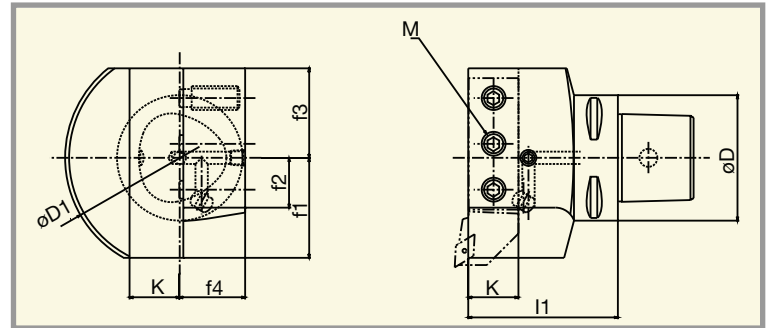
Capto Square Shank Holders and Tool Clamper

Capto Square Shank Holders



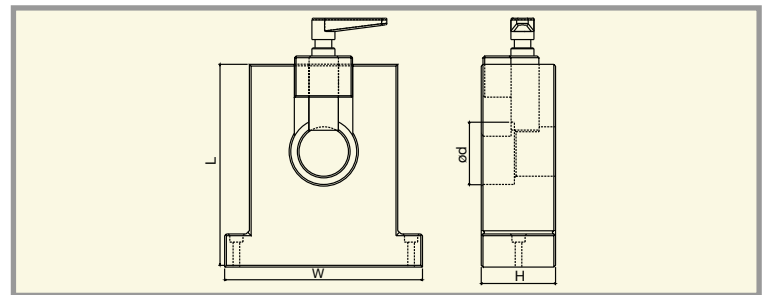
Part Number	Square Shank		D		D1		I1		I2		f1		f2		K		M
	mm	inch	mm	inch	mm	inch	mm	inch	mm	inch	mm	inch	mm	inch	mm	inch	
AC4-ABSB101-422LO	20	0.787	40	1.575	100	3.937	80	3.150	57	2.244	40	1.575	20	0.787	20	0.787	M10
AC4-ABSB101-422RO	20	0.787	40	1.575	100	3.937	80	3.150	57	2.244	40	1.575	20	0.787	20	0.787	M10
AC5-ABSB101-522LO	25	0.984	50	1.969	110	4.331	90	3.543	67	2.638	43	1.693	18	0.709	25	0.984	M12
AC5-ABSB101-522RO	25	0.984	50	1.969	110	4.331	90	3.543	67	2.638	43	1.693	18	0.709	25	0.984	M12

Capto Square Shank Holders



Part Number	Square Shank		D		D1		I1		f1		f2		K		M
	mm	inch	mm	inch	mm	inch	mm	inch	mm	inch	mm	inch	mm	inch	
AC4-ABSB101-421LO	20	0.787	40	1.575	95	3.740	60	2.362	40	1.575	20	0.787	20	0.787	M10
AC4-ABSB101-421RO	20	0.787	40	1.575	95	3.740	60	2.362	40	1.575	20	0.787	20	0.787	M10
AC5-ABSB101-521LO	25	0.984	50	1.969	110	4.331	70	2.756	50	1.969	25	0.984	25	0.984	M12
AC5-ABSB101-521RO	25	0.984	50	1.969	110	4.331	70	2.756	50	1.969	25	0.984	25	0.984	M12

Capto Tool Clamper



Part Number	Capto Size	d		W		H		L	
		mm	inch	mm	inch	mm	inch	mm	inch
AC4-TC40	C4	40	1.57	120	4.72	45	1.77	123	4.84
AC5-TC50	C5	50	1.97	120	4.72	50	1.97	143	5.63

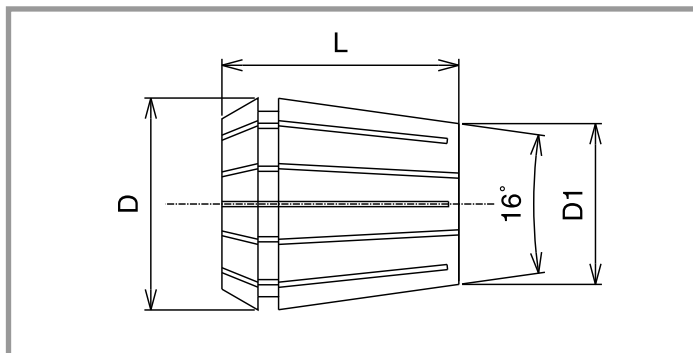
ER Series Collets

STANDARD (INCH)

SIZE	ER16	ER20	ER25	ER32	ER40
1/32"	E16-002	-	-	-	-
1/16"	E16-004	E20-004	E25-004	-	-
3/32"	E16-006	E20-006	E25-006	-	-
1/8"	E16-008	E20-008	E25-008	E32-008	-
5/32"	E16-010	E20-010	E25-010	E32-010	E40-010
3/16"	E16-012	E20-012	E25-012	E32-012	E40-012
7/32"	E16-014	E20-014	E25-014	E32-014	E40-014
1/4"	E20-016	E20-016	E25-016	E32-016	E40-016
9/32"	E20-018	E20-018	E25-018	E32-018	E40-018
5/16"	E20-020	E20-020	E25-020	E32-020	E40-020
11/32"	E20-022	E20-022	E25-022	E32-022	E40-022
3/8"	E20-024	E20-024	E25-024	E32-024	E40-024
13/32"	E20-026	E20-026	E25-026	E32-026	E40-026
7/16"	-	E20-028	E25-028	E32-028	E40-028
15/32"	-	E20-030	E25-030	E32-030	E40-030
1/2"	-	E20-032	E25-032	E32-032	E40-032
17/32"	-	-	E25-034	E32-034	E40-034
9/16"	-	-	E25-036	E32-036	E40-036
19/32"	-	-	E25-038	E32-038	E40-038
5/8"	-	-	E25-040	E32-040	E40-040
21/32"	-	-	-	E32-042	E40-042
11/16"	-	-	-	E32-044	E40-044
23/32"	-	-	-	E32-046	E40-046
3/4"	-	-	-	E32-048	E40-048
25/32"	-	-	-	E32-050	E40-050
13/16"	-	-	-	-	E40-052
27/32"	-	-	-	-	E40-044
7/8"	-	-	-	-	E40-056
29/32"	-	-	-	-	E40-058
15/16"	-	-	-	-	E40-060
31/32"	-	-	-	-	E40-062
1"	-	-	-	-	E40-064

STANDARD (METRIC)

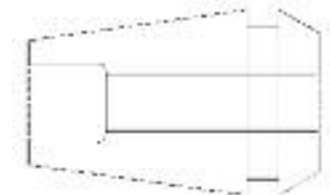
SIZE	ER16	ER20	ER25	ER32	ER40
1.0mm	E16-039	-	-	-	-
1.5mm	E16-059	-	-	-	-
2.0mm	E16-078	E20-078	E25-078	-	-
3.0mm	E16-118	E20-118	E25-118	E32-118	-
3.5mm	E16-137	E20-137	E25-137	E32-137	-
4.0mm	E16-157	E20-157	E25-157	E32-157	E40-157
5.0mm	E16-196	E20-196	E25-196	E32-196	E40-196
6.0mm	E16-236	E20-236	E25-236	E32-236	E40-236
7.0mm	E16-275	E20-275	E25-275	E32-275	E40-275
8.0mm	E16-314	E20-314	E25-314	E32-314	E40-314
9.0mm	E16-354	E20-354	E25-354	E32-354	E40-354
10.0mm	E16-393	E20-393	E25-393	E32-393	E40-393
11.0mm	-	E20-433	E25-433	E32-433	E40-433
11.5mm	-	E20-452	E25-452	E32-452	E40-452
12.0mm	-	E20-472	E25-472	E32-472	E40-472
13.0mm	-	E20-511	E25-511	E32-511	E40-511
14.0mm	-	-	E25-551	E32-551	E40-551
15.0mm	-	-	E25-590	E32-590	E40-590
16.0mm	-	-	E25-629	E32-629	E40-629
17.0mm	-	-	-	E32-669	E40-669
18.0mm	-	-	-	E32-708	E40-708
19.0mm	-	-	-	E32-748	E40-748
19.5mm	-	-	-	E32-767	E40-767
20.0mm	-	-	-	E32-787	E40-787
21.0mm	-	-	-	-	E40-826
22.0mm	-	-	-	-	E40-866
23.0mm	-	-	-	-	E40-905
24.0mm	-	-	-	-	E40-944
25.0mm	-	-	-	-	E40-984
26.0mm	-	-	-	-	E40-1023



ER Standard type collet



ER Counter-Bored type collet



Style	D	D1	L	Collet Range	Coolant Collet Size Range	Nut Tightening Torque	
						standard collet	counter-bored collet
ER16	17.2mm	11.3mm	27.0mm	0.5 - 10.0mm	4.0 - 10.0mm (3/16" - 17/64")	30 - 37 ft-lbs	18 - 22 ft-lbs
ER20	21.2mm	14.5mm	31.0mm	1.0 - 13.0mm	5.0 - 13.0mm (5/32" - 1/2")	60 - 74 ft-lbs	42 - 52 ft-lbs
ER25	26.2mm	18.5mm	35.0mm	1.0 - 16.0mm	6.0 - 16.0mm (7/32" - 5/8")	77 - 96 ft-lbs	54 - 67 ft-lbs
ER32	33.2mm	24.4mm	40.0mm	2.0 - 20.0mm	10.0 - 20.0mm (1/4" - 25/32")	100 - 125 ft-lbs	77 - 96 ft-lbs
ER40	41.2mm	31.2mm	46.0mm	3.0mm - 26.0mm	10.0 - 26.0mm	125 - 157 ft-lbs	130 - 162 ft-lbs

ER Series Coolant Collets

COOLANT (INCH)

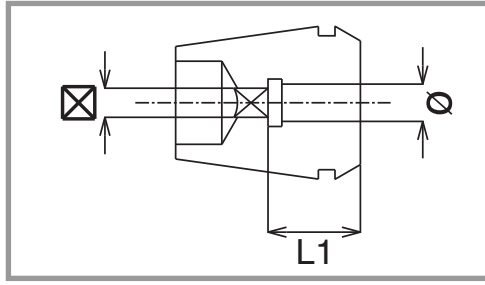
SIZE	ER16	ER20	ER25	ER32
3/32"	E16-006(C)	-	-	-
7/64"	E16-007(C)	-	-	-
1/8"	E16-008(C)	-	-	-
9/64"	E16-009(C)	-	-	-
5/32"	E16-010(C)	E20-010(C)	-	-
11/64"	E16-011(C)	E20-011(C)	-	-
3/16"	E16-012(C)	E20-012(C)	-	-
13/64"	E16-013(C)	E20-013(C)	-	-
7/32"	E16-014(C)	E20-014(C)	E25-014(C)	-
15/64"	E16-015(C)	E20-015(C)	E25-015(C)	-
1/4"	E16-016(C)	E20-016(C)	E25-016(C)	E32-016(C)
17/64"	E16-017(C)	E20-017(C)	E25-017(C)	E32-017(C)
9/32"	E16-018(C)	E20-018(C)	E25-018(C)	E32-018(C)
19/64"	E16-019(C)	E20-019(C)	E25-019(C)	E32-019(C)
5/16"	E16-020(C)	E20-020(C)	E25-020(C)	E32-020(C)
21/64"	E16-021(C)	E20-021(C)	E25-021(C)	E32-021(C)
11/32"	E16-022(C)	E20-022(C)	E25-022(C)	E32-022(C)
23/64"	E16-023(C)	E20-023(C)	E25-023(C)	E32-023(C)
3/8"	E16-024(C)	E20-024(C)	E25-024(C)	E32-024(C)
25/64"	E16-025(C)	E20-025(C)	E25-025(C)	E32-025(C)
13/32"	E16-026(C)	E20-026(C)	E25-026(C)	E32-026(C)
27/64"	-	E20-027(C)	E25-027(C)	E32-027(C)
7/16"	-	E20-028(C)	E25-028(C)	E32-028(C)
29/64"	-	E20-029(C)	E25-029(C)	E32-029(C)
15/32"	-	E20-030(C)	E25-030(C)	E32-030(C)
31/64"	-	E20-031(C)	E25-031(C)	E32-031(C)
1/2"	-	E20-032(C)	E25-032(C)	E32-032(C)
33/64"	-	-	E25-033(C)	E32-033(C)
17/32"	-	-	E25-034(C)	E32-034(C)
35/64"	-	-	E25-035(C)	E32-035(C)
9/16"	-	-	E25-036(C)	E32-036(C)
37/64"	-	-	E25-037(C)	E32-037(C)
19/32"	-	-	E25-038(C)	E32-038(C)
39/64"	-	-	E25-039(C)	E32-039(C)
5/8"	-	-	E25-040(C)	E32-040(C)
41/64"	-	-	-	E32-041(C)
21/32"	-	-	-	E32-042(C)
43/64"	-	-	-	E32-043(C)
11/16"	-	-	-	E32-044(C)
45/64"	-	-	-	E32-045(C)
23/32"	-	-	-	E32-046(C)
47/64"	-	-	-	E32-047(C)
3/4"	-	-	-	E32-048(C)
49/64"	-	-	-	E32-049(C)
25/32"	-	-	-	E32-050(C)

COOLANT (METRIC)

SIZE	ER16	ER20	ER25	ER32	ER40
4.0mm	E16-157(C)	-	-	-	-
4.5mm	E16-177(C)	-	-	-	-
5.0mm	E16-196(C)	E20-196(C)	-	-	-
5.5mm	E16-216(C)	E20-216(C)	-	-	-
6.0mm	E16-236(C)	E20-236(C)	E25-236(C)	-	-
6.5mm	E16-255(C)	E20-255(C)	E25-255(C)	-	-
7.0mm	E16-275(C)	E20-275(C)	E25-275(C)	-	-
7.5mm	E16-295(C)	E20-295(C)	E25-295(C)	-	-
8.0mm	E16-314(C)	E20-314(C)	E25-314(C)	-	-
8.5mm	E16-334(C)	E20-334(C)	E25-334(C)	-	-
9.0mm	E16-354(C)	E20-354(C)	E25-354(C)	-	-
9.5mm	E16-374(C)	E20-374(C)	E25-374(C)	-	-
10.0mm	E16-393(C)	E20-393(C)	E25-393(C)	E32-393(C)	E40-393(C)
10.5mm	-	E20-413(C)	E25-413(C)	E32-413(C)	E40-413(C)
11.0mm	-	E20-433(C)	E25-433(C)	E32-433(C)	E40-433(C)
11.5mm	-	E20-452(C)	E25-452(C)	E32-452(C)	E40-452(C)
12.0mm	-	E20-472(C)	E25-472(C)	E32-472(C)	E40-472(C)
12.5mm	-	E20-492(C)	E25-492(C)	E32-492(C)	E40-492(C)
13.0mm	-	E20-511(C)	E25-511(C)	E32-511(C)	E40-511(C)
13.5mm	-	-	E25-531(C)	E32-531(C)	E40-531(C)
14.0mm	-	-	E25-551(C)	E32-551(C)	E40-551(C)
14.5mm	-	-	E25-570(C)	E32-570(C)	E40-570(C)
15.0mm	-	-	E25-590(C)	E32-590(C)	E40-590(C)
15.5mm	-	-	E25-610(C)	E32-610(C)	E40-610(C)
16.0mm	-	-	E25-629(C)	E32-629(C)	E40-629(C)
16.5mm	-	-	-	E32-649(C)	E40-649(C)
17.0mm	-	-	-	E32-669(C)	E40-669(C)
17.5mm	-	-	-	E32-688(C)	E40-688(C)
18.0mm	-	-	-	E32-708(C)	E40-708(C)
18.5mm	-	-	-	E32-728(C)	E40-728(C)
19.0mm	-	-	-	E32-748(C)	E40-748(C)
19.5mm	-	-	-	E32-767(C)	E40-767(C)
20.0mm	-	-	-	E32-787(C)	E40-787(C)
20.5mm	-	-	-	-	E40-807(C)
21.0mm	-	-	-	-	E40-826(C)
21.5mm	-	-	-	-	E40-846(C)
22.0mm	-	-	-	-	E40-866(C)
22.5mm	-	-	-	-	E40-885(C)
23.0mm	-	-	-	-	E40-905(C)
23.5mm	-	-	-	-	E40-925(C)
24.0mm	-	-	-	-	E40-944(C)
24.5mm	-	-	-	-	E40-964(C)
25.0mm	-	-	-	-	E40-984(C)
25.5mm	-	-	-	-	E40-1003(C)
26.0mm	-	-	-	-	E40-1023(C)



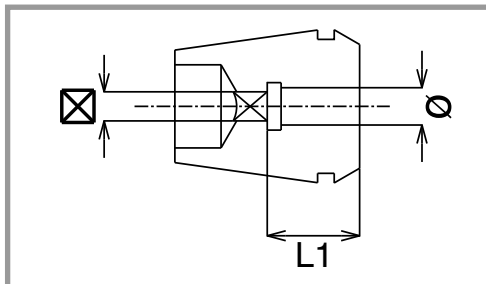
ER Tap Collets



ER Tap Collets feature a unique design that incorporates an internal square drive with our popular ER Series collets. The square drive matches the tap square, providing a tight fit for all rigid tapping applications.

PART NUMBER	TAP INCH SIZE	TAP METRIC SIZE	L1	Ø	⊠
ET16-168	#8, 5/32"	M4	18.0mm	0.168	0.131
ET16-194	#10, 3/16"	M4.5, M5	18.0mm	0.194	0.152
ET16-220	#12, 7/32"	-	18.0mm	0.220	0.165
ET16-255	#14, 1/4"	M6, M6.5	18.0mm	0.255	0.191
ET20-168	#8, 5/32"	M4	18.0mm	0.168	0.131
ET20-194	#10, 3/16"	M4.5, M5	18.0mm	0.194	0.152
ET20-220	#12, 7/32"	-	18.0mm	0.220	0.165
ET20-255	#14, 1/4"	M6, M6.5	18.0mm	0.255	0.191
ET20-318	5/16"	M7, M6.5	18.0mm	0.318	0.238
ET20-323	7/16"	-	18.0mm	0.323	0.242
ET20-367	1/2"	M12, M12.5	18.0mm	0.367	0.275
ET20-381	3/8"	M10	18.0mm	0.381	0.286
ET25-168	#8, 5/32"	M4	18.0mm	0.168	0.131
ET25-194	#10, 3/16"	M4.5, M5	18.0mm	0.194	0.152
ET25-220	#12, 7/32"	-	18.0mm	0.220	0.165
ET25-255	#14, 1/4"	M6, M6.5	18.0mm	0.255	0.191
ET25-318	5/16"	M7, M6.5	18.0mm	0.318	0.238
ET25-323	7/16"	-	18.0mm	0.323	0.242
ET25-367	1/2"	M12, M12.5	18.0mm	0.367	0.275
ET25-381	3/8"	M10	18.0mm	0.381	0.286
ET25-429	9/16"	M14	22.0mm	0.429	0.322
ET25-437	1/8" NPT(L)	-	22.0mm	0.437	0.328
ET25-480	5/8"	M16	25.0mm	0.480	0.360
ET32-168	#8, 5/32"	M4	18.0mm	0.168	0.131
ET32-194	#10, 3/16"	M4.5, M5	18.0mm	0.194	0.152
ET32-220	#12, 7/32"	-	18.0mm	0.220	0.165
ET32-255	#14, 1/4"	M6, M6.5	18.0mm	0.255	0.191
ET32-318	5/16"	M7, M6.5	18.0mm	0.318	0.238
ET32-323	7/16"	-	18.0mm	0.323	0.242
ET32-367	1/2"	M12, M12.5	18.0mm	0.367	0.275
ET32-381	3/8"	M10	18.0mm	0.381	0.286
ET32-429	9/16"	M14	22.0mm	0.429	0.322
ET32-437	1/8" NPT	-	22.0mm	0.437	0.328
ET32-480	5/8"	M16	25.0mm	0.480	0.360
ET32-542	11/16"	M18	25.0mm	0.542	0.406
ET32-562	1/4" NPT	-	25.0mm	0.562	0.421
ET32-590	3/4"	-	25.0mm	0.590	0.422
ET32-652	13/16"	M20	25.0mm	0.652	0.489
ET40-255	#14, 1/4"	M6, M6.5	18.0mm	0.255	0.191
ET40-318	5/16"	M7, M6.5	18.0mm	0.318	0.238
ET40-323	7/16"	-	18.0mm	0.323	0.242
ET40-367	1/2"	M12, M12.5	18.0mm	0.367	0.275
ET40-381	3/8"	M10	18.0mm	0.381	0.286
ET40-429	9/16"	M14	22.0mm	0.429	0.322
ET40-437	1/8" NPT	-	22.0mm	0.437	0.328
ET40-480	5/8"	M16	25.0mm	0.480	0.360
ET40-542	11/16"	M18	25.0mm	0.542	0.406
ET40-562	1/4" NPT	-	25.0mm	0.562	0.421
ET40-590	3/4"	-	25.0mm	0.590	0.422
ET40-652	13/16"	M20	25.0mm	0.652	0.489
ET40-687	1/2" NPT	-	25.0mm	0.687	0.515
ET40-697	7/8"	M22	25.0mm	0.697	0.523
ET40-700	3/8" NPT	-	25.0mm	0.700	0.531
ET40-760	15/16"	M24	25.0mm	0.760	0.570
ET40-800	1"	M25	28.0mm	0.800	0.600

ER Tap Coolant Collets



Lyndex-Nikken has now combined the versatility of our ER tapping collets with the popularity of our coolant collets to create our patented ER Coolant Tap Collets.

PART NUMBER	TAP INCH SIZE	TAP METRIC SIZE	L1	Ø	☒
ET16-255(C)	#14, 1/4"	M6, M6.5	18.0mm	0.255	0.191
ET16-318(C)	5/16"	M7, M6.5	18.0mm	0.318	0.238
ET20-255(C)	#14, 1/4"	M6, M6.5	18.0mm	0.255	0.191
ET20-318(C)	5/16"	M7, M6.5	18.0mm	0.318	0.238
ET20-323(C)	7/16"	-	18.0mm	0.323	0.242
ET20-367(C)	1/2"	M12, M12.5	18.0mm	0.367	0.275
ET20-381(C)	3/8"	M10	18.0mm	0.381	0.286
ET25-318(C)	5/16"	M7, M6.5	18.0mm	0.318	0.238
ET25-323(C)	7/16"	-	18.0mm	0.323	0.242
ET25-367(C)	1/2"	M12, M12.5	18.0mm	0.367	0.275
ET25-381(C)	3/8"	M10	18.0mm	0.381	0.286
ET25-429(C)	9/16"	M14	22.0mm	0.429	0.322
ET25-480(C)	5/8"	M16	25.0mm	0.480	0.360
ET32-255(C)	#14, 1/4"	M6, M6.5	18.0mm	0.255	0.191
ET32-318(C)	5/16"	M7, M6.5	18.0mm	0.318	0.238
ET32-323(C)	7/16"	-	18.0mm	0.323	0.242
ET32-367(C)	1/2"	M12, M12.5	18.0mm	0.367	0.275
ET32-381(C)	3/8"	M10	18.0mm	0.381	0.286
ET32-429(C)	9/16"	M14	22.0mm	0.429	0.322
ET32-480(C)	5/8"	M16	25.0mm	0.480	0.360
ET32-542(C)	11/16"	M18	25.0mm	0.542	0.406
ET32-590(C)	3/4"	-	25.0mm	0.590	0.422
ET32-652(C)	13/16"	M20	25.0mm	0.652	0.489
ET40-323(C)	7/16"	-	18.0mm	0.323	0.242
ET40-367(C)	1/2"	M12, M12.5	18.0mm	0.367	0.275
ET40-381(C)	3/8"	M10	18.0mm	0.381	0.286
ET40-429(C)	9/16"	M14	22.0mm	0.429	0.322
ET40-480(C)	5/8"	M16	25.0mm	0.480	0.360
ET40-542(C)	11/16"	M18	25.0mm	0.542	0.406
ET40-590(C)	3/4"	-	25.0mm	0.590	0.422
ET40-652(C)	13/16"	M20	25.0mm	0.652	0.489
ET40-697(C)	7/8"	M22	25.0mm	0.697	0.523
ET40-760(C)	15/16"	M24	25.0mm	0.760	0.570
ET40-800(C)	1"	M25	28.0mm	0.800	0.600

Note: Seals up to maximum coolant pressure of 1000 PSI.

Replacement Parts

Replacement Set Screws for End Mill Holders



Part Number	Size of Holder I.D.
S5/8-18X1/2	3/4", 7/8", 18 - 20mm
S3/4-16X11/16	1", 1-1/4", 1-1/2", 25 - 42mm

Replacement Arbor Screws for Shell Mill Holders



Part Number	Description
A1/2-20	use with 1" holders
A10mm-P1.5	use with 22.0mm holders

Milling Chuck Collet and Wrench



Milling Chuck Collets are designed to insure uniform collapsing around the cutting tool shank. This provides maximum gripping power as well as concentric positioning of the cutting tool.

Part Number	Size
9HC22	3/4" and 20mm Milling Chuck Spanner Wrench

20mm KM COLLET (METRIC)

Part Number	Size
KM20-3	3.0mm
KM20-4	4.0mm
KM20-6	6.0mm
KM20-8	8.0mm
KM20-10	10.0mm
KM20-12	12.0mm
KM20-16	16.0mm

16mm KM COLLET (METRIC)

Part Number	Size
KM16-3	3.0mm
KM16-4	4.0mm
KM16-6	6.0mm
KM16-8	8.0mm
KM16-10	10.0mm
KM16-12	12.0mm
KM16-16	16.0mm

3/4" KM COLLET (METRIC)

Part Number	Size
KM3/4-4	4mm
KM3/4-6	6mm
KM3/4-8	8mm
KM3/4-10	10mm
KM3/4-12	12mm
KM3/4-16	16mm

20mm KM COLLET (INCH)

Part Number	Size
KM20-1/8	1/8"
KM20-3/16	3/16"
KM20-1/4	1/4"
KM20-5/16	5/16"
KM20-3/8	3/8"
KM20-7/16	7/16"
KM20-1/2	1/2"
KM20-9/16	9/16"
KM20-5/8	5/8"

16mm KM COLLET (INCH)

Part Number	Size
KM16-1/8	1/8"
KM16-3/16	3/16"
KM16-1/4	1/4"
KM16-5/16	5/16"
KM16-3/8	3/8"
KM16-7/16	7/16"
KM16-1/2	1/2"

3/4" KM COLLET (INCH)

Part Number	Size
KM3/4-1/8	1/8"
KM3/4-3/16	3/16"
KM3/4-1/4	1/4"
KM3/4-5/16	5/16"
KM3/4-3/8	3/8"
KM3/4-7/16	7/16"
KM3/4-1/2	1/2"
KM3/4-5/8	5/8"

TQW Torque Wrenches



The TQW Torque Wrench is very accurate and easy-to-use, guaranteeing maximum accuracy and preventing tool overtightening or breakage.

- Variable torque adjustable wrench
- Robust and durable
- Ergonomic grip
- Easy to read inch and metric scale
- Strong steel shaft is highly corrosion resistant
- Easy to set up and operation:
 - A. Set wrench to desired torque setting
 - B. Insert attachment
 - C. Torque down on collet nut until it clicks in place



A wide selection of attachments are available: ER, SK, TG, Pull Stud, Milling Chuck, Capto

Design and Construction



A "Push-Button Locking Device" securely locks the preset torque and prevents inadvertent adjustment.



Handle is shaped to provide a firm and ergonomic grip.

Collet Number	Part Number	Attachments (Type and Size)			Torque Range		Torque Wrench	
		Description	mm	inch	lbs	Nm	Part Number	Description
ER8	TQW-ER08	Blank	Special Attachment - Call		4	6	TQW-025	14X18, 25ft.lbs
ER11	TQW-ER11(17)	Hex/OE	17	0.67	11	15		
ER16	TQW-ER16(32)	Hook	32 [+/-5mm]	1.25	40	54	TQW-150	14X18, 150ft.lbs
ER20	TQW-ER20(32)		32 [+/-5mm]	1.25	60	81		
ER25	TQW-ER25(43)		43 [+/-5mm]	1.69	75	102		
ER32	TQW-ER32(50)		50 [+/-5mm]	1.96	100	136		
ER40	TQW-ER40(63)		63 [+/-5mm]	2.48	125	169		
SK6	TQW-SK06(18)	Hex/OE	18	0.71	14	19	TQW-025	14X18, 25ft.lbs
SK10	TQW-SK10(1)		25.4	1.00	33-34	45-46		
SK16	TQW-SK16(43)	Hook	43 [+/-5mm]	1.69	55-62	74-84	TQW-150	14X18, 150ft.lbs
SK25	TQW-SK25(60)		60 [+/-5mm]	2.36	66-73	90-99		
TG75	TQW-TG075(50)	Hook	50 [+/-5mm]	1.96	55	75	TQW-150	14X18, 150ft.lbs
TG100	TQW-TG100(63)		63 [+/-5mm]	2.48	75	102		
TG150	TQW-TG150(82)		82 [+/-5mm]	3.22	100	136		
Pull-Stud-13mm	TQW-PS(13)	Hex/OE	13	0.51	14 ~ 18	19 to 25	TQW-025	14X18, 25ft.lbs
Pull-Stud-3/4 (19mm)	TQW-PS(19)		19	0.75	44 ~ 59	60 to 80	TQW-150	14X18, 150ft.lbs
Pull-Stud-30mm	TQW-PS(30)		30	1.18	147 ~ 185	200 to 250		
Pull-Stud-1.1/4	TQW-PS(32)		31.75	1/1/2004	147 ~ 185	200 to 250		
Milling Chuck 3/4"	TQW-C3/4(50)	Hook	50 [+/-5mm]	1.96	19 to 24	26-32	TQW-150	14X18, 150ft.lbs
Milling Chuck 1"	TQW-C1(60)		60 [+/-5mm]	2.36	27 to 31	36-42		
Milling Chuck 1.1/4"	TQW-C1/4(72)		72 [+/-5mm]	2.83	48 to 59	65-80		
Capto C3	TQW-CAPTO3(8)	Hex	8	0.31	26	35	TQW-150	14X18, 150ft.lbs
Capto C4	TQW-CAPTO4(10)		10	0.39	37	50		
Capto C5	TQW-CAPTO5(12)		12	0.47	52	70		

Wrench Instructions



- 1** Insert spindle wrench behind collet nut. Align spindle wrench with the wrench flats on the spindle.



- 2** After securing spindle wrench in position, apply collet nut wrench onto collet nut.



- 3** While holding the spindle wrench firmly, turn the collet nut wrench clockwise to tighten.

Service and Support

Lyndex-Nikken is dedicated to providing not only the highest quality of equipment, but also the highest quality of service and customer care. With over 60 years of experience, our service engineers are looking forward to supporting your needs beyond your expectations.

We fully stock all internal components to provide an expedited and cost-effective maintenance program and rebuild package for your live tooling. Managing a maintenance schedule for all your machine tool accessory components can be challenging, so we'll be glad to remind you when the time comes.

Furthermore, to prevent an interruption in your production schedule, for certain models we can offer a "loaner" live tool while your live tool is under repair.

Warranty:

1 year warranty for internal components

2 year manufacturer warranty on external body

For any service request or inquiry, please contact our service department: (847) 367-4800

CNC Rotary Tables

We offer a complete line of extremely accurate Nikken Rotary Tables. Featuring patented hardened assemblies, they retain their precision for years. Please call Lyndex-Nikken for more information: (800) 543-6237.



Worm Wheel System

Installation Service

Lyndex-Nikken regional managers will assist you with product selection, integration and installation, guaranteeing complete customer satisfaction. Installation service includes drive, cable, table installation, parameter changes and documentation. Call Lyndex-Nikken for more information: (800) 543-6237.



U.S. Patent 5385424 (Brake System)



5AX-201

All-Precision Toolholders

Lyndex-Nikken advanced products are innovatively designed to tackle the most complex and demanding applications. They guarantee a runout within 3 micron at 4 times the diameter beyond collet nut.



AngleHeads™

Our large range of AngleHeads™ is designed to easily and effectively upgrade your machine tool capabilities by eliminating additional set ups.

Units are equipped with 4340 ground gear and ground shaft components, high precision spindle bearings (P4 quality) and cast iron bodies for vibration dampening. Each tool also features high torque capabilities for aggressive milling and drilling.

Visit www.lyndexnikken.com to learn more about our complete line of AngleHeads, or call (800) 543-6237.



Lyndex-Nikken website:

Be sure to check out our website

www.lyndexnikken.com

to find out more about our products, services and all we have to offer! This customer-friendly site provides a complete overview of our product line, and features technical data, videos, CAD drawings, catalogs and more.

**Scan for
current promotions:**



www.lyndexnikken.com
1468 Armour Boulevard
Mundelein, IL 60060
E-mail: info@lyndexnikken.com
Phone: (800) 543-6237
Fax: (847) 367-4815

CAT2013-MORI-LT