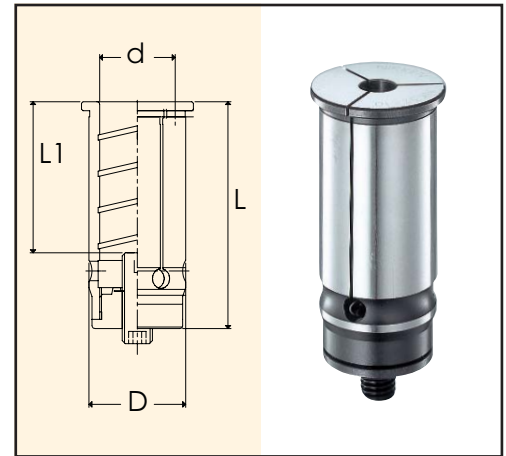


# NK Collets - Depth Adjustable

Collet Series	D	L	L1	Collet Range
NK3/4	0.98" (25mm)	2.4" (63mm)	50mm max. depth	1/8" - 5/8"
NK1	1.14" (29mm)	2.67" (68mm)	55mm max. depth	1/8" - 7/8"
NK1.1/4	1.45" (37mm)	2.96" (75.3mm)	61mm max. depth	3/16" - 1"
NK2	2.28" (58mm)	3.67" (93.3mm)	79mm max. depth	1" - 1.1/2"
NK32mm	1.45" (37mm)	2.96" (75.3mm)	61mm max. depth	3/16" - 1"

Cutter length adjustment on the collet is possible from front and back.



Collet Series	INCH		METRIC	
	Size	Part Number	Size	Part Number
3/4"	1/8"	NK3/4-1/8	6mm	NK3/4-6
	3/16"	NK3/4-3/16	7mm	NK3/4-7
	1/4"	NK3/4-1/4	8mm	NK3/4-8
	5/16"	NK3/4-5/16	10mm	NK3/4-10
	3/8"	NK3/4-3/8	12mm	NK3/4-12
	7/16"	NK3/4-7/16	14mm	NK3/4-14
	1/2"	NK3/4-1/2	16mm	NK3/4-16
	9/16"	NK3/4-9/16	-	-
	5/8"	NK3/4-5/8	-	-
1"	1/8"	NK1-1/8	6mm	NK1-6
	3/16"	NK1-3/16	8mm	NK1-8
	1/4"	NK1-1/4	10mm	NK1-10
	5/16"	NK1-5/16	12mm	NK1-12
	3/8"	NK1-3/8	14mm	NK1-14
	7/16"	NK1-7/16	16mm	NK1-16
	1/2"	NK1-1/2	18mm	NK1-18
	5/8"	NK1-5/8	20mm	NK1-20
	3/4"	NK1-3/4	-	-
1.1/4"	3/16"	NK1.1/4-3/16	6mm	NK1.1/4-6
	1/4"	NK1.1/4-1/4	8mm	NK1.1/4-8
	5/16"	NK1.1/4-5/16	10mm	NK1.1/4-10
	3/8"	NK1.1/4-3/8	12mm	NK1.1/4-12
	7/16"	NK1.1/4-7/16	14mm	NK1.1/4-14
	1/2"	NK1.1/4-1/2	16mm	NK1.1/4-16
	9/16"	NK1.1/4-9/16	20mm	NK1.1/4-20
	5/8"	NK1.1/4-5/8	25mm	NK1.1/4-25
	3/4"	NK1.1/4-3/4	-	-
	7/8"	NK1.1/4-7/8	-	-
1"	NK1.1/4-1	-	-	

Collet Series	INCH		METRIC	
	Size	Part Number	Size	Part Number
32mm	3/16"	NK32-3/16	6mm	NK32-6
	1/4"	NK32-1/4	8mm	NK32-8
	5/16"	NK32-5/16	10mm	NK32-10
	3/8"	NK32-3/8	12mm	NK32-12
	7/16"	NK32-7/16	14mm	NK32-14
	1/2"	NK32-1/2	16mm	NK32-16
	9/16"	NK32-9/16	20mm	NK32-20
	5/8"	NK32-5/8	25mm	NK32-25
	3/4"	NK32-3/4	26mm	NK32-26
	7/8"	NK32-7/8	-	-
2"	1"	NK32-1	-	-
	1-1/4"	NK2-1-1/4	-	-
	1-1/2"	NK2-1-1/2	-	-

**Accessories:**

