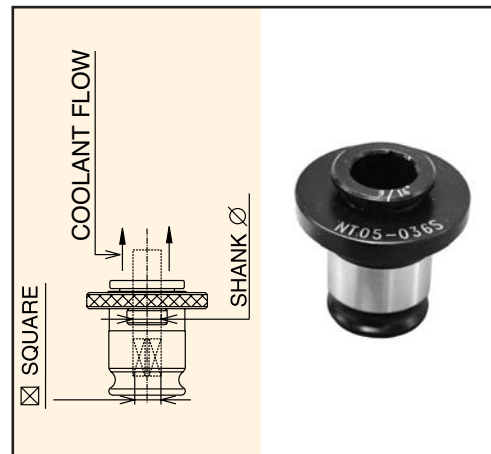


Tap Collets

Positive Drive Tap Collets - Slotted

Slotted collets are designed for use with standard taps for coolant along the flute.

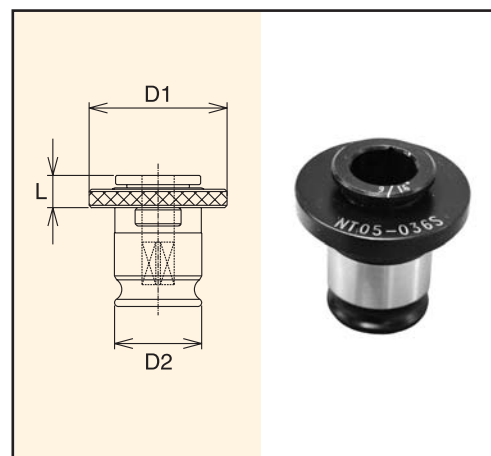
Part Number	System	Tap Size	Tap Shank Ø	Drive Square ☒
NT05-006(S)	#1	#0-6	0.141"	0.110"
NT05-008(S)	#1	#8	0.168"	0.131"
NT05-012(S)	#1	#12	0.220"	0.165"
NT05-016(S)	#1	1/4"	0.255"	0.191"
NT05-020(S)	#1	5/16"	0.318"	0.238"
NT05-024(S)	#1	3/8"	0.381"	0.286"
NT05-028(S)	#1	7/16"	0.323"	0.242"
NT05-032(S)	#1	1/2"	0.367"	0.275"
NT05-036(S)	#1	9/16"	0.429"	0.322"
NT10-020(S)	#2	5/16"	0.318"	0.238"
NT10-024(S)	#2	3/8"	0.381"	0.286"
NT10-028(S)	#2	7/16"	0.323"	0.242"
NT10-032(S)	#2	1/2"	0.367"	0.275"
NT10-036(S)	#2	9/16"	0.429"	0.322"
NT10-040(S)	#2	5/8"	0.480"	0.360"
NT10-044(S)	#2	11/16"	0.542"	0.406"
NT10-048(S)	#2	3/4"	0.590"	0.442"
NT10-052(S)	#2	13/16"	0.652"	0.489"
NT10-056(S)	#2	7/8"	0.697"	0.523"
NT15-052(S)	#3	13/16"	0.652"	0.489"
NT15-056(S)	#3	7/8"	0.697"	0.523"
NT15-060(S)	#3	15/16"	0.760"	0.570"
NT15-064(S)	#3	1"	0.800"	0.600"
NT15-072(S)	#3	1-1/8"	0.896"	0.672"
NT15-080(S)	#3	1-1/4"	1.021"	0.766"
NT15-088(S)	#3	1-3/8"	1.108"	0.831"



Note: See pages 236-237 for details about dimensions cross over for ANSI, DIN, ISO, JIS Specification Taps.

Dimensional Data

Type/System	L	D1	D2
#1	0.27"	1.18"	0.75"
#2	0.43"	1.98"	1.22"
#3	0.55"	2.75"	1.89"



Accessories:



Tap Collets
Pages 106-117



Tap Spanner Wrench
Page 118