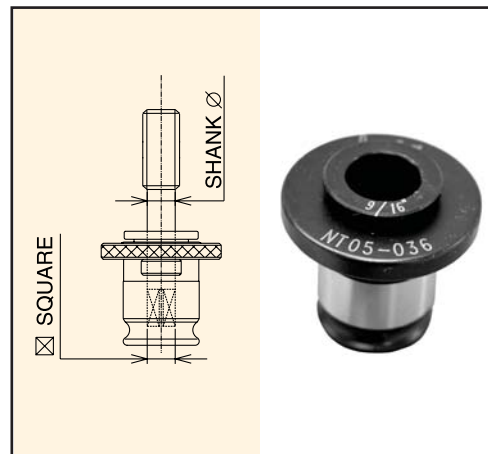


Tap Collets

Positive Drive Tap Collets - U.S. Standard

Standard collets are used for standard and coolant-thru tap holders, maximum 750 PSI.

Part Number	System	Tap Size	Tap Shank Ø	Drive Square ☒
NT05-006	#1	#0-6	0.141"	0.110"
NT05-008	#1	#8	0.168"	0.131"
NT05-012	#1	#12	0.220"	0.165"
NT05-016	#1	1/4"	0.255"	0.191"
NT05-020	#1	5/16"	0.318"	0.238"
NT05-024	#1	3/8"	0.381"	0.286"
NT05-028	#1	7/16"	0.323"	0.242"
NT05-032	#1	1/2"	0.367"	0.275"
NT05-036	#1	9/16"	0.429"	0.322"
NT10-020	#2	5/16"	0.318"	0.238"
NT10-024	#2	3/8"	0.381"	0.286"
NT10-028	#2	7/16"	0.323"	0.242"
NT10-032	#2	1/2"	0.367"	0.275"
NT10-036	#2	9/16"	0.429"	0.322"
NT10-040	#2	5/8"	0.480"	0.360"
NT10-044	#2	11/16"	0.542"	0.406"
NT10-048	#2	3/4"	0.590"	0.442"
NT10-052	#2	13/16"	0.652"	0.489"
NT10-056	#2	7/8"	0.697"	0.523"
NT15-052	#3	13/16"	0.652"	0.489"
NT15-056	#3	7/8"	0.697"	0.523"
NT15-060	#3	15/16"	0.760"	0.570"
NT15-064	#3	1"	0.800"	0.600"
NT15-072	#3	1-1/8"	0.896"	0.672"
NT15-080	#3	1-1/4"	1.021"	0.766"
NT15-088	#3	1-3/8"	1.108"	0.831"



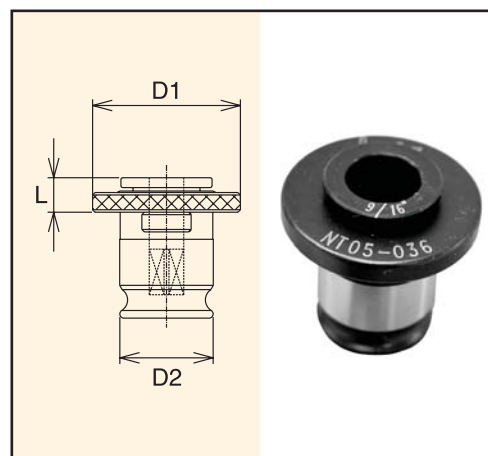
Note: See pages 236-237 for details about dimensions cross over for ANSI, DIN, ISO, JIS Specification Taps.

Dimensional Data

Type/System	L	D1	D2
#1	0.27"	1.18"	0.75"
#2	0.43"	1.98"	1.22"
#3	0.55"	2.75"	1.89"

Positive Drive Tap Collets Sets

Part Number	Description
NT05-SET	10 pieces System #1 Positive Drive Tap Collet Set: 0 - 9/16" hand
NT10-SET	10 pieces System #2 Positive Drive Tap Collet Set: 5/16" - 7/8" hand
NT15-SET	7 pieces System #3 Positive Drive Tap Collet Set: 13/16" - 1-3/8" hand



Accessories:



Tap Collets
Pages 106-117



Tap Spanner Wrench
Page 118