



End Mill Holders

ER/TG/DA Collet Chucks

Shell Mill Holders

Drill Chucks

Tap Holders



Current Promotion

Scan  
these  
QR Codes



Featured Video

# Tap Holders

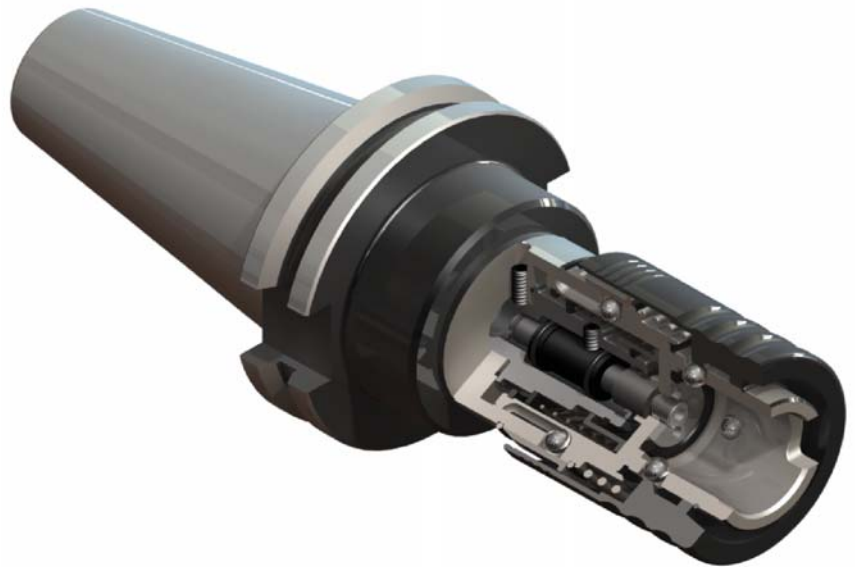
Our Tapping Systems include tension-compression and rigid holders in all tapers and shanks. Coolant-thru available for both tension-compression and rigid style holders.

## Rigid Tap Holders

- Excellent for fast tapping on synchronous cycles
- Made to fit all Bilz Standard style tap collets
- Quick and easy interchangeability of tap collets
- Retention balls and drive keys provide higher positioning accuracy and stronger gripping force, reducing the possibility of tap slippage

### Coolant-Thru Type

- Sealed internal mechanism allows high pressure center thru coolant to flow without contaminating the internal components
- Chambered design also prevents back-flow of coolant back into the spindle at higher pressure
- Maximum pressure: 750 psi



## Tension Compression Tap Holders

- Adaptive with all Bilz tap system sizes
- Will compensate for the machine spindle over rotating, tap elongation or minor mismatching between rotation and feed
- Spring tension (downward pressure) will help lead and engage the tap for consistent and on size tapped holes
- Tension Compression holders assure accuracy and control to make sure the hole is tapped exactly on the pitch of the tap. This is extremely beneficial when tapping critical hole threads with 2B and 3B dimensional call outs
- Quick and easy interchangeability of tap collets, repeatable within .008" positioning accuracy
- Retention balls and drive keys provide higher positioning accuracy and stronger gripping force reducing the possibility of tap slippage

### Coolant-Thru Type

- Sealed internal mechanism allows high pressure center thru coolant to flow without contaminating the internal components
- Chambered design also prevents backflow of coolant into the spindle at higher pressures
- Maximum pressure: 500 psi

End Mill Holders  
ERTG/DA Collet Chucks  
Shell Mill Holders  
Drill Chucks  
Tap Holders

# CAT Tap Holders

- Made to fit all Bilz standard style tap collets
- Quick and easy interchangeability of tap collets.
- Retention balls and drive keys provide higher positioning accuracy and stronger gripping force, reducing possibility of tap slippage



**TIR:** minimal



**Speed:** up to 5,000 rpm



**Set-up:** quick and easy

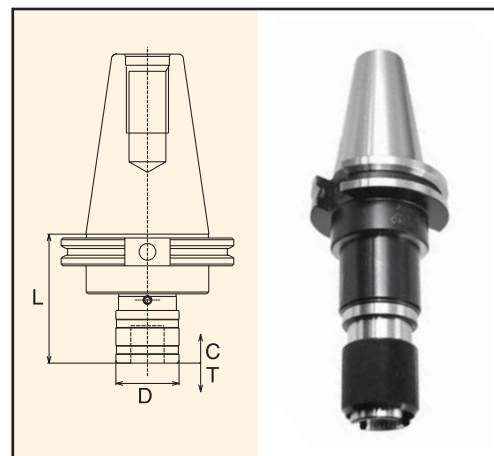


**Coolant-thru:** thru-tap coolant

Please note that the maximum RPM listed in our catalog may vary depending on the toolholder shank, weight, balanceability and the G rating.

## CAT40/50 Tension/ Compression Tap Holders

Part Number	Taper	Tap Range		System	L	D	T	C
		Hand	Pipe					
C40S5-0562-2.93	CT40	#0-9/16"	1/8"	#1	2.93"	1.43"	0.29"	0.29"
C4005-0562-4.47	CT40	#0-9/16"	1/8"	#1	4.47"	1.25"	0.79"	0.39"
C40S5-0875-3.90	CT40	5/16-7/8"	1/4-1/2"	#2	3.90"	2.09"	0.49"	0.49"
C4005-0875-6.66	CT40	5/16-7/8"	1/4-1/2"	#2	6.66"	2.00"	0.85"	0.49"
C40S5-1375-5.75	CT40	13/16-1-3/8"	1/2-1"	#3	5.75"	3.07"	0.79"	0.79"
C4005-1375-9.19	CT40	13/16-1-3/8"	1/2-1"	#3	9.19"	2.87"	0.98"	0.59"
C50S5-0562-2.93	CT50	#0-9/16"	1/8"	#1	2.93"	1.43"	0.29"	0.29"
C5005-0562-5.02	CT50	#0-9/16"	1/8"	#1	5.02"	1.25"	0.79"	0.39"
C50S5-0875-3.90	CT50	5/16-7/8"	1/4-1/2"	#2	3.90"	2.09"	0.49"	0.49"
C5005-0875-5.66	CT50	5/16-7/8"	1/4-1/2"	#2	5.66"	2.00"	0.85"	0.49"
C50S5-1375-5.75	CT50	13/16-1-3/8"	1/2-1"	#3	5.75"	3.07"	0.79"	0.79"
C5005-1375-7.72	CT50	13/16-1-3/8"	1/2-1"	#3	7.72"	2.87"	0.98"	0.59"

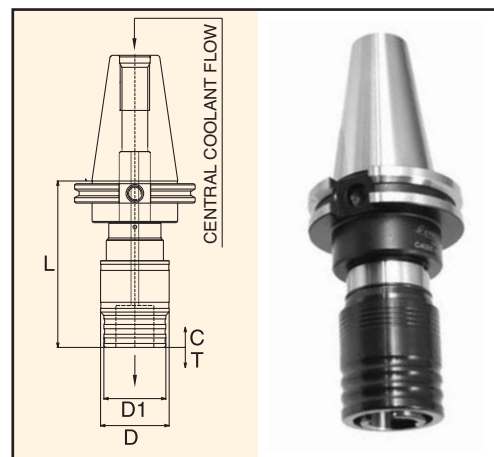


## CAT40/50 Tension/ Compression Tap Holders - Coolant-Thru



Part Number	Taper	Tap Range		System	L	D	D1	T	C
		Hand	Pipe						
C4005-0562-3.98(C)	CT40	#0-9/16"	1/8"	#1	3.98"	1.57"	1.28"	0.27"	0.12"
C4005-0875-5.39(C)	CT40	5/16-7/8"	1/4-1/2"	#2	5.39"	2.20"	1.99"	0.39"	0.20"
C5005-0562-3.98(C)	CT50	#0-9/16"	1/8"	#1	3.98"	1.57"	1.28"	0.27"	0.12"
C5005-0875-5.39(C)	CT50	5/16-7/8"	1/4-1/2"	#2	5.39"	2.20"	1.99"	0.39"	0.20"
C5005-1375-8.31(C)	CT50	13/16-1-3/8"	1/2-1"	#3	8.31"	2.95"	2.95"	0.71"	0.51"

Maximum pressure: 500 psi.



### Accessories:



**Tap Collets**  
Pages 106-117



**Tap Spanner Wrench**  
Page 118



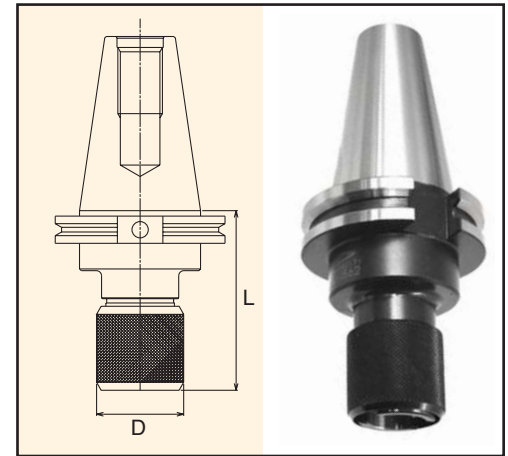
**Tool Jaw**  
Page 212

# CAT Tap Holders

## CAT40/50 Rigid Tap Holders

Part Number	Taper	Tap Range		System	L	D
		Hand	Pipe			
C40R5-0562-3.02	CT40	#0-9/16"	1/8"	#1	3.02"	1.25"
C40R5-0875-3.66	CT40	5/16-7/8"	1/4-1/2"	#2	3.66"	2.00"
C40R5-1375-4.72	CT40	13/16-1-3/8"	1/2-1"	#3	4.72"	2.87"
C50R5-0562-3.02	CT50	#0-9/16"	1/8"	#1	3.02"	1.25"
C50R5-0875-3.91	CT50	5/16-7/8"	1/4-1/2"	#2	3.91"	2.00"
C50R5-1375-4.98	CT50	13/16-1-3/8"	1/2-1"	#3	4.98"	2.87"

Note: these holders are designed for use with synchronized machining centers.  
The holders have no tension or compression.

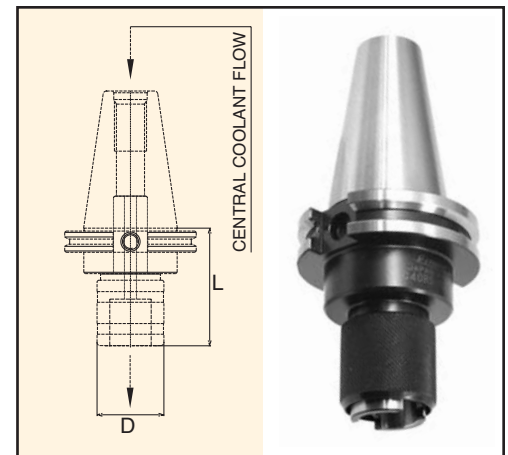


## CAT40/50 Rigid Tap Holders - Coolant-Thru



Part Number	Taper	Tap Range		System	L	D
		Hand	Pipe			
C40R5-0562-2.87(C)	CT40	#0-9/16"	1/8"	#1	2.87"	1.26"
C40R5-0875-3.50(C)	CT40	5/16-7/8"	1/4-1/2"	#2	3.50"	1.97"
C50R5-0562-2.87(C)	CT50	#0-9/16"	1/8"	#1	2.87"	1.26"
C50R5-0875-3.50(C)	CT50	5/16-7/8"	1/4-1/2"	#2	3.50"	1.97"
C50R5-1375-5.00(C)	CT50	13/16-1-3/8"	1/2-1"	#3	5.00"	2.83"

Note: these holders are designed for use with synchronized machining centers.  
The holders have no tension or compression.  
Maximum pressure: 750 psi.



### Accessories:



**Tap Collets**  
Pages 106-117



**Tap Spanner Wrench**  
Page 118



**Tool Jaw**  
Page 212

End Mill Holders  
ERTG/DA Collet Chucks  
Shell Mill Holders  
Drill Chucks  
Tap Holders

# BT Tap Holders

- Made to fit all Bilz standard style tap collets
- Quick and easy interchangeability of tap collets.
- Retention balls and drive keys provide higher positioning accuracy and stronger gripping force, reducing possibility of tap slippage



**TIR:** minimal



**Speed:** up to 5,000 rpm



**Set-up:** quick and easy

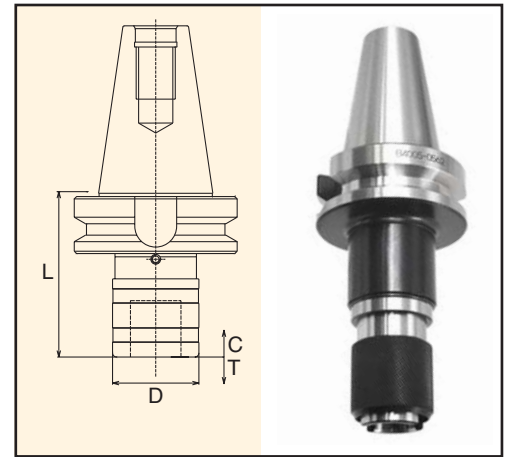


**Coolant-thru:** thru-tap coolant

Please note that the maximum RPM listed in our catalog may vary depending on the toolholder shank, weight, balanceability and the G rating.

## BT30/40/50 Tension/ Compression Tap Holders

Part Number	Taper	Tap Range		System	L	D	T	C
		Hand	Pipe					
B30S5-0562-2.40	BT30	#0-9/16"	1/8"	#1	2.40"	1.43"	0.29"	0.29"
B3005-0562-4.92	BT30	#0-9/16"	1/8"	#1	4.92"	1.25"	0.79"	0.39"
B40S5-0562-2.62	BT40	#0-9/16"	1/8"	#1	2.62"	1.43"	0.29"	0.29"
B4005-0562-4.33	BT40	#0-9/16"	1/8"	#1	4.33"	1.25"	0.79"	0.39"
B40S5-0875-3.68	BT40	5/16-7/8"	1/4-1/2"	#2	3.68"	2.09"	0.49"	0.49"
B4005-0875-6.34	BT40	5/16-7/8"	1/4-1/2"	#2	6.34"	2.00"	0.85"	0.49"
B40S5-1375-6.40	BT40	13/16-1-3/8"	1/2-1"	#3	6.40"	3.07"	0.79"	0.79"
B4005-1375-9.00	BT40	13/16-1-3/8"	1/2-1"	#3	9.00"	2.87"	0.98"	0.59"
B50S5-0562-3.05	BT50	#0-9/16"	1/8"	#1	3.05"	1.43"	0.29"	0.29"
B5005-0562-4.92	BT50	#0-9/16"	1/8"	#1	4.92"	1.25"	0.79"	0.39"
B50S5-0875-4.00	BT50	5/16-7/8"	1/4-1/2"	#2	4.00"	2.09"	0.49"	0.49"
B5005-0875-5.55	BT50	5/16-7/8"	1/4-1/2"	#2	5.55"	2.00"	0.85"	0.49"
B50S5-1375-5.55	BT50	13/16-1-3/8"	1/2-1"	#3	5.55"	3.07"	0.79"	0.79"
B5005-1375-7.68	BT50	13/16-1-3/8"	1/2-1"	#3	7.68"	2.87"	0.98"	0.59"

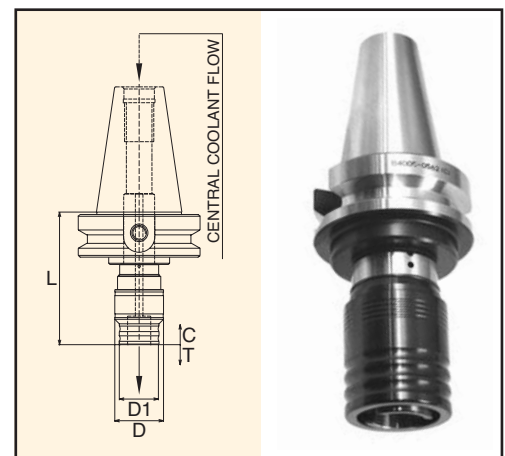


## BT40/50 Tension/ Compression Tap Holders - Coolant-Thru



Part Number	Taper	Tap Range		System	L	D	D1	T	C
		Hand	Pipe						
B4005-0562-3.98(C)	BT40	#0-9/16"	1/8"	#1	3.98"	1.57"	1.28"	0.27"	0.12"
B4005-0875-5.39(C)	BT40	5/16-7/8"	1/4-1/2"	#2	5.39"	2.20"	1.99"	0.39"	0.20"
B5005-0562-4.33(C)	BT50	#0-9/16"	1/8"	#1	4.33"	1.57"	1.28"	0.27"	0.12"
B5005-0875-5.75(C)	BT50	5/16-7/8"	1/4-1/2"	#2	5.75"	2.20"	1.99"	0.39"	0.20"
B5005-1375-8.31(C)	BT50	13/16-1-3/8"	1/2-1"	#3	8.31"	2.95"	2.91"	0.71"	0.51"

Maximum pressure: 500 psi.



### Accessories:



**Tap Collets**  
Pages 106-117



**Tap Spanner Wrench**  
Page 118



**Tool Jaw**  
Page 212

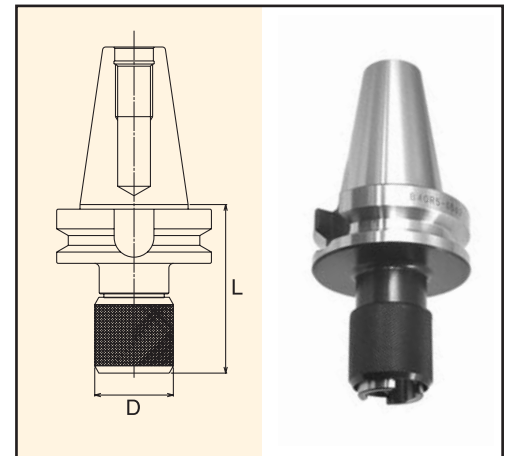


# BT Tap Holders

## BT30/40/50 Rigid Tap Holders

Part Number	Taper	Tap Range		System	L	D
		Hand	Pipe			
B30R5-0562-2.44	BT30	#0-9/16"	1/8"	#1	2.44"	1.25"
B40R5-0562-3.02	BT40	#0-9/16"	1/8"	#1	3.02"	1.25"
B40R5-0875-3.66	BT40	5/16-7/8"	1/4-1/2"	#2	3.66"	2.00"
B40R5-1375-4.73	BT40	13/16-1-3/8"	1/2-1"	#3	4.73"	2.87"
B50R5-0562-3.02	BT50	#0-9/16"	1/8"	#1	3.02"	1.25"
B50R5-0875-4.16	BT50	5/16-7/8"	1/4-1/2"	#2	4.16"	2.00"
B50R5-1375-5.23	BT50	13/16-1-3/8"	1/2-1"	#3	5.23"	2.87"

Note: these holders are designed for use with synchronized machining centers.  
The holders have no tension or compression.

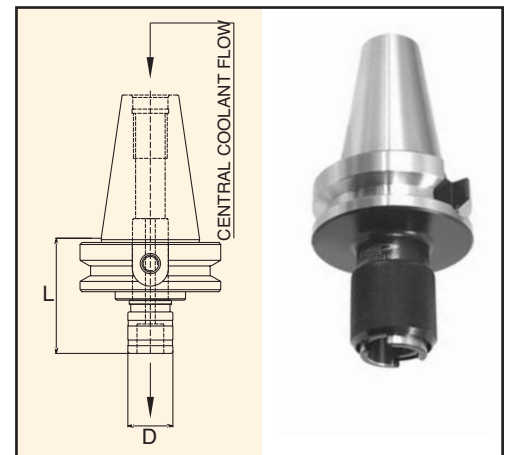


## BT40/50 Rigid Tap Holders - Coolant-Thru



Part Number	Taper	Tap Range		System	L	D
		Hand	Pipe			
B40R5-0562-2.87(C)	BT40	#0-9/16"	1/8"	#1	2.87"	1.26"
B40R5-0875-3.50(C)	BT40	5/16-7/8"	1/4-1/2"	#2	3.50"	1.97"
B50R5-0562-3.23(C)	BT50	#0-9/16"	1/8"	#1	3.23"	1.26"
B50R5-0875-3.86(C)	BT50	5/16-7/8"	1/4-1/2"	#2	3.86"	1.97"
B50R5-1375-5.00(C)	BT50	13/16-1-3/8"	1/2-1"	#3	5.00"	2.83"

Note: these holders are designed for use with synchronized machining centers.  
The holders have no tension or compression.  
Maximum pressure: 750 psi.



### Accessories:



**Tap Collets**  
Pages 106-117



**Tap Spanner Wrench**  
Page 118



**Tool Jaw**  
Page 212

# HSK Tap Holders

- Made to fit all Bilz standard style tap collets
- Quick and easy interchangeability of tap collets.
- Retention balls and drive keys provide higher positioning accuracy and stronger gripping force, reducing possibility of tap slippage



**TIR:** minimal



**Speed:** up to 5,000 rpm



**Set-up:** quick and easy



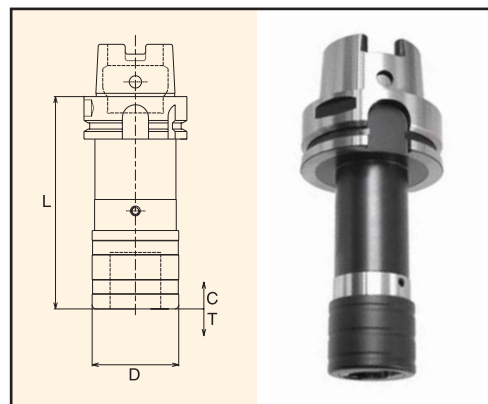
**Coolant-thru:** thru-tap coolant

Please note that the maximum RPM listed in our catalog may vary depending on the toolholder shank, weight, balanceability and the G rating.

## HSK63A Tension/ Compression Tap Holders

Part Number	Tap Range		System	L	D	T	C
	Hand	Pipe					
HSK63A-TC0562-4.49	#0-9/16"	1/8"	#1	4.49"	1.43"	0.29"	0.29"
HSK63A-TC0875-5.82	5/16-7/8"	1/4-1/2"	#2	5.827"	2.09"	0.49"	0.49"
HSK63A-TC1375-7.72	13/16-1-3/8"	1/2-1"	#3	7.72"	3.07"	0.79"	0.79"

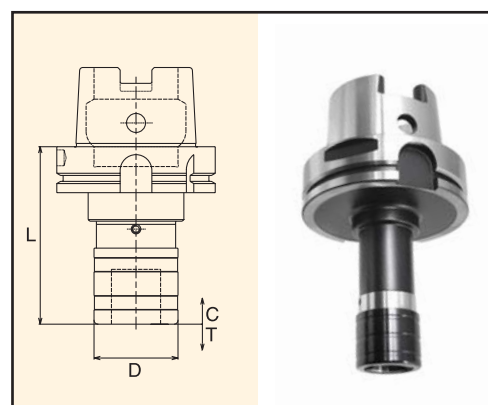
Note: Coolant tube and coolant tube wrench not included.  
Coolant-thru versions available as specials. Please contact us for more information.



## HSK100A Tension/ Compression Tap Holders

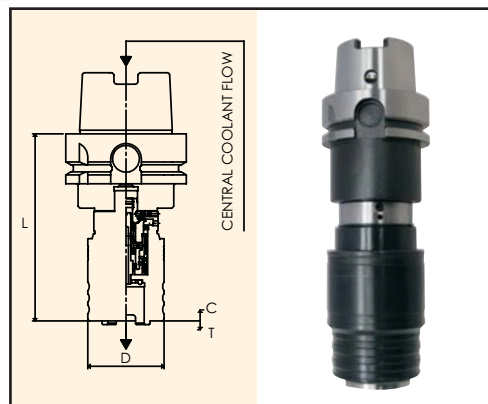
Part Number	Tap Range		System	L	D	T	C
	Hand	Pipe					
HSK100A-TC0562-4.65	#0-9/16"	1/8"	#1	4.65"	1.43"	0.29"	0.29"
HSK100A-TC0875-5.98	5/16-7/8"	1/4-1/2"	#2	5.98"	2.09"	0.49"	0.49"
HSK100A-TC1375-7.95	13/16-1-3/8"	1/2-1"	#3	7.95"	3.07"	0.79"	0.79"

Note: Coolant tube and coolant tube wrench not included.  
Coolant-thru versions available as specials. Please contact us for more information.



## HSK63A/100A Tension/ Compression Tap Holders - Coolant-Thru

Part Number	Tap Range		System	L	D	T	C
	Hand	Pipe					
HSK63A-TC0562-3.98C	#0-9/16"	1/8"	#1	3.98"	1.57"	0.29"	0.29"
HSK63A-TC0875-6.38C	5/16-7/8"	1/4-1/2"	#2	6.38"	2.21"	0.49"	0.49"
HSK63A-TC1375-9.41C	13/16-1-3/8"	1/2-1"	#3	9.41"	2.95"	0.79"	0.79"
HSK100A-TC0562-5.10C	#0-9/16"	1/8"	#1	5.10"	1.57"	0.29"	0.29"
HSK100A-TC0875-6.65C	5/16-7/8"	1/4-1/2"	#2	6.65"	2.21"	0.49"	0.49"
HSK100A-TC1375-9.66C	13/16-1-3/8"	1/2-1"	#3	9.66"	2.92"	0.79"	0.79"



### Accessories:



**Tap Collets**  
Pages 106-117



**Tap Spanner Wrench**  
Page 118



**HSK Coolant Tube**  
Page 118



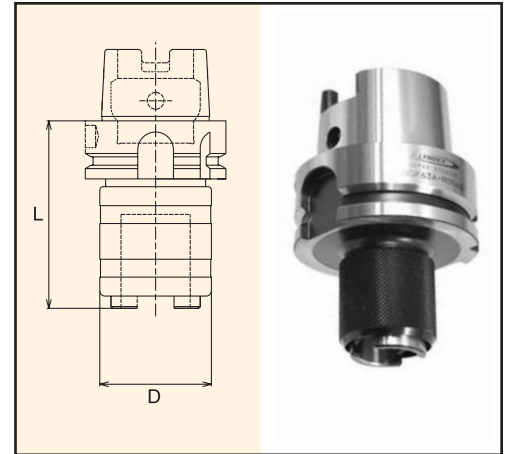
**HSK Coolant Tube Wrench**  
Page 118

# HSK Tap Holders

## HSK40A/63A Rigid Tap Holders

Part Number	Tap Range		System	L	D
	Hand	Pipe			
HSK40A-R0562-3.15	#0-9/16"	1/8"	#1	3.15"	1.26"
HSK63A-R0562-2.48	#0-9/16"	1/8"	#1	2.48"	1.26"
HSK63A-R0875-3.31	5/16-7/8"	1/4-1/2"	#2	3.31"	1.97"
HSK63A-R1375-5.12	13/16-1-3/8"	1/2-1"	#3	5.12"	2.83"

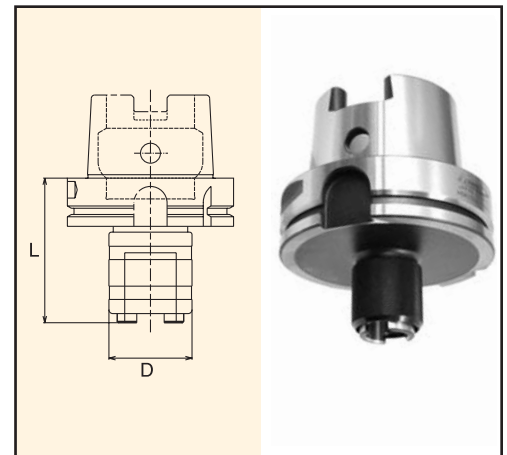
Note: these holders are designed for use with synchronized machining centers.  
The holders have no tension or compression.  
Coolant tube and coolant tube wrench not included.  
Coolant-thru versions available as specials. Please contact us for more information.



## HSK100A Rigid Tap Holders

Part Number	Tap Range		System	L	D
	Hand	Pipe			
HSK100A-R0562-2.59	#0-9/16"	1/8"	#1	2.59"	1.26"
HSK100A-R0875-3.42	5/16-7/8"	1/4-1/2"	#2	3.42"	1.97"
HSK100A-R1375-4.57	13/16-1-3/8"	1/2-1"	#3	4.57"	2.83"

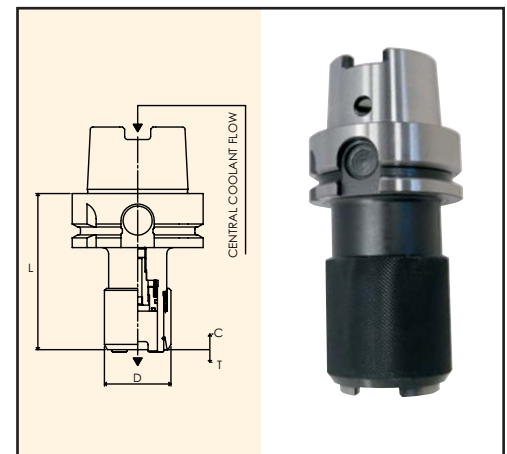
Note: these holders are designed for use with synchronized machining centers.  
The holders have no tension or compression.  
Coolant tube and coolant tube wrench not included.  
Coolant-thru versions available as specials. Please contact us for more information.



## HSK40A/63A/100A Rigid Tap Holders Coolant-Thru



Part Number	Tap Range		System	L	D
	Hand	Pipe			
HSK40A-R0562-2.97C	#0-9/16"	1/8"	#1	2.97"	1.27"
HSK63A-R0562-3.01C	#0-9/16"	1/8"	#1	3.01"	1.27"
HSK63A-R0875-4.01C	5/16-7/8"	1/4-1/2"	#2	4.01"	1.98"
HSK63A-R1375-5.51C	13/16-1-3/8"	1/2-1"	#3	5.51"	2.85"
HSK100A-R0562-3.09C	#0-9/16"	1/8"	#1	3.08"	1.27"
HSK100A-R0875-3.94C	5/16-7/8"	1/4-1/2"	#2	3.94"	1.98"
HSK100A-R1375-5.32C	13/16-1-3/8"	1/2-1"	#3	5.32"	2.84"



### Accessories:



**Tap Collets**  
Pages 106-117



**Tap Spanner Wrench**  
Page 118



**HSK Coolant Tube**  
Page 118



**HSK Coolant Tube Wrench**  
Page 118



# Weldon Tap Holders

- Made to fit all Bilz standard style tap collets
- Quick and easy interchangeability of tap collets.
- Retention balls and drive keys provide higher positioning accuracy and stronger gripping force, reducing possibility of tap slippage



**TIR:** minimal



**Speed:** up to 5,000 rpm



**Set-up:** quick and easy

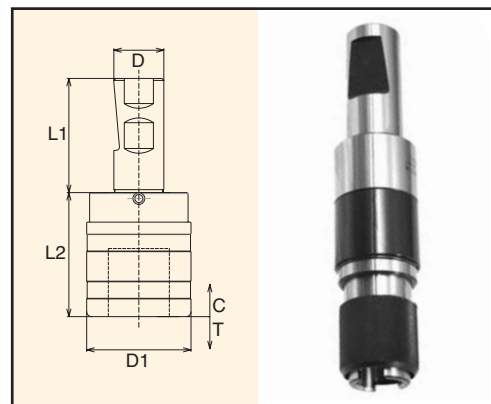


**Coolant-thru:** thru-tap coolant

Please note that the maximum RPM listed in our catalog may vary depending on the toolholder shank, weight, balanceability and the G rating.

## Weldon Shank Tension/ Compression Tap Holders

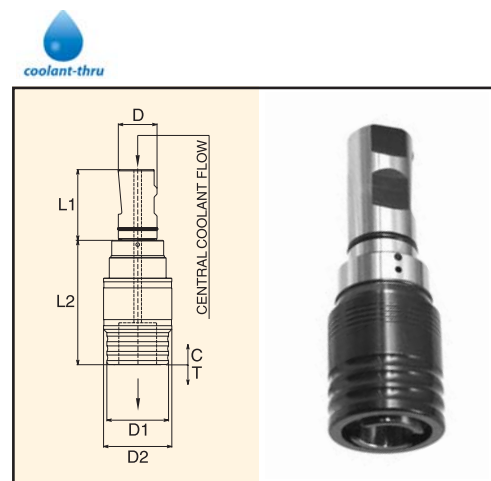
Part Number	Tap Range		System	D	D1	L1	L2	T	C
	Hand	Pipe							
W7505-0562-6.36	#0-9/16"	1/8"	#1	3/4"	1.25"	2.03"	4.33"	0.79"	0.39"
W1005-0562-6.41	#0-9/16"	1/8"	#1	1"	1.25"	2.28"	4.13"	0.79"	0.39"
W10S5-0562-3.81	#0-9/16"	1/8"	#1	1"	1.43"	2.28"	1.53"	0.29"	0.29"
W1005-0875-7.83	5/16-7/8"	1/4-1/2"	#2	1"	2.00"	2.28"	5.55"	0.85"	0.49"
W10S5-0875-4.76	5/16-7/8"	1/4-1/2"	#2	1"	2.09"	2.28"	2.48"	0.49"	0.49"
W1205-0562-6.41	#0-9/16"	1/8"	#1	1-1/4"	1.25"	2.28"	4.13"	0.79"	0.39"
W1205-0875-7.83	5/16-7/8"	1/4-1/2"	#2	1-1/4"	2.00"	2.28"	5.55"	0.85"	0.49"
W1505-0562-6.82	#0-9/16"	1/8"	#1	1-1/2"	1.25"	2.69"	4.13"	0.79"	0.39"
W1505-0875-8.24	5/16-7/8"	1/4-1/2"	#2	1-1/2"	2.00"	2.69"	5.55"	0.85"	0.49"
W1505-1375-10.5	13/16-1-3/8"	1/2-1"	#3	1-1/2"	2.87"	2.69"	7.81"	0.98"	0.59"
W15S5-1375-6.55	13/16-1-3/8"	1/2-1"	#3	1-1/2"	3.07"	2.69"	3.86"	0.79"	0.79"
W25M5-0562-96	#0-9/16"	1/8"	#1	25mm	36mm	57mm	39mm	7.5mm	7.5mm
W25M5-0875-120	5/16-7/8"	1/4-1/2"	#2	25mm	53mm	57mm	63mm	12.5mm	12.5mm



## Weldon Shank Tension/ Compression Tap Holders - Coolant-Thru

Part Number	Tap Range		System	D	D1	D2	L1	L2	T	C
	Hand	Pipe								
W1005-0562-4.88(C)	#0-9/16"	1/8"	#1	1"	1.29"	1.57"	2.28"	2.60"	0.27"	0.12"
W1005-0875-6.3(C)	5/16-7/8"	1/4-1/2"	#2	1"	1.99"	2.20"	2.28"	4.02"	0.39"	0.20"
W1205-0562-4.88(C)	#0-9/16"	1/8"	#1	1-1/4"	1.28"	1.57"	2.28"	2.60"	0.27"	0.12"
W1205-0875-6.3(C)	5/16-7/8"	1/4-1/2"	#2	1-1/4"	1.99"	2.20"	2.28"	4.02"	0.39"	0.20"
W1505-1375-9.26(C)	13/16-1-3/8"	1/2-1"	#3	1-1/2"	2.95"	2.95"	2.69"	6.57"	0.71"	0.51"
W25M5-0562-119(C)	#0-9/16"	1/8"	#1	25mm	32mm	40mm	53mm	66mm	7mm	3mm
W25M5-0875-155(C)	5/16-7/8"	1/4-1/2"	#2	25mm	50mm	56mm	53mm	102mm	10mm	5mm

Maximum pressure: 500 psi.



### Accessories:



**Tap Collets**  
Pages 106-117



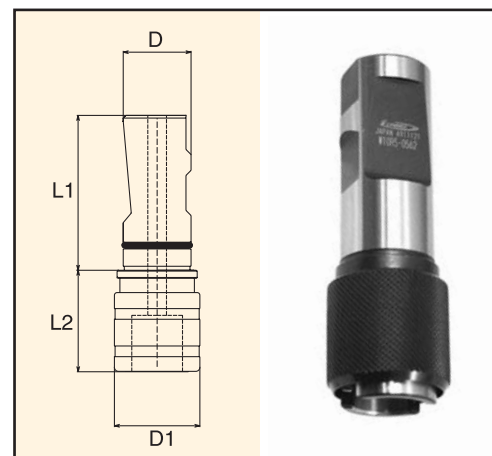
**Tap Spanner Wrench**  
Page 118

# Weldon Tap Holders

## Weldon Shank Rigid Tap Holders

Part Number	Tap Range		System	D	D1	L1	L2
	Hand	Pipe					
W10R5-0562-3.74	#0-9/16"	1/8"	#1	1"	1.26"	2.28"	1.46"
W10R5-0875-4.4	5/16-7/8"	1/4-1/2"	#2	1"	1.97"	2.28"	2.12"
W15R5-1375-5.96	13/16-1-3/8"	1/2-1"	#3	1-1/2"	2.83"	2.69"	3.27"
W25MR5-0562-94	#0-9/16"	1/8"	#1	25mm	32mm	57mm	37mm
W25MR5-0875-113	5/16-7/8"	1/4-1/2"	#2	25mm	50mm	57mm	56mm

Note: these holders are designed for use with synchronized machining centers.  
The holders have no tension or compression.

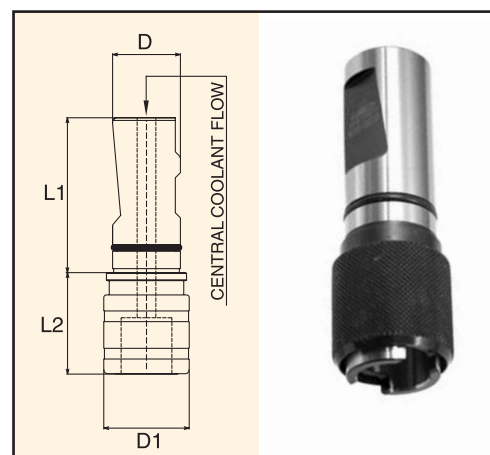


## Weldon Shank Rigid Tap Holders - Coolant-Thru



Part Number	Tap Range		System	D	D1	L1	L2
	Hand	Pipe					
W75R5-0562-3.49(C)	#0-9/16"	1/8"	#1	3/4"	1.26"	2.03"	1.46"
W10R5-0562-3.77(C)	#0-9/16"	1/8"	#1	1"	1.26"	2.28"	1.49"
W10R5-0875-4.4(C)	5/16-7/8"	1/4-1/2"	#2	1"	1.97"	2.28"	2.12"
W12R5-0562-3.93(C)	#0-9/16"	1/8"	#1	1-1/4"	1.26"	2.28"	1.65"
W12R5-0875-4.4(C)	5/16-7/8"	1/4-1/2"	#2	1-1/4"	1.97"	2.28"	2.12"
W12R5-1375-5.55(C)	13/16-1-3/8"	1/2-1"	#3	1-1/4"	2.83"	2.28"	3.27"
W15R5-1375-5.96(C)	13/16-1-3/8"	1/2-1"	#3	1-1/2"	2.83"	2.69"	3.27"
W25MR5-0562-91(C)	#0-9/16"	1/8"	#1	25mm	32mm	53mm	38mm
W25MR5-0875-107(C)	5/16-7/8"	1/4-1/2"	#2	25mm	50mm	53mm	54mm

Note: these holders are designed for use with synchronized machining centers.  
The holders have no tension or compression.  
Maximum pressure: 750 psi.



### Accessories:



**Tap Collets**  
Pages 106-117







**Tap Spanner Wrench**  
Page 118

End Mill Holders  
ERTG/DA Collet Chucks  
Shell Mill Holders  
Drill Chucks  
Tap Holders

# NMTB, Straight Shank, Morse Taper Tap Holders

- Made to fit all Bilz standard style tap collets
- Quick and easy interchangeability of tap collets.
- Retention balls and drive keys provide higher positioning accuracy and stronger gripping force, reducing possibility of tap slippage

-  **TIR:** minimal
-  **Speed:** up to 5,000 rpm
-  **Set-up:** quick and easy
-  **Coolant-thru:** thru-tap coolant

Please note that the maximum RPM listed in our catalog may vary depending on the toolholder shank, weight, balanceability and the G rating.

## NMTB30/40/50 Tension/ Compression Tap Holders

Part Number	Tap Range		System	L	D	T	C
	Hand	Pipe					
N3005-0562-4.64	#0-9/16"	1/8"	#1	4.64"	1.25"	0.79"	0.39"
N3005-0875-6.16	5/16-7/8"	1/4-1/2"	#2	6.16"	2.00"	0.85"	0.49"
N4005-0562-3.90	#0-9/16"	1/8"	#1	3.90"	1.25"	0.79"	0.39"
N4005-0875-6.16	5/16-7/8"	1/4-1/2"	#2	6.16"	2.00"	0.85"	0.49"
N5005-0562-4.50	#0-9/16"	1/8"	#1	4.50"	1.25"	0.79"	0.39"
N5005-0875-7.00	5/16-7/8"	1/4-1/2"	#2	7.00"	2.00"	0.85"	0.49"
N5005-1375-7.73	13/16-1-3/8"	1/2-1"	#3	7.73"	2.87"	0.98"	0.59"

All NMTB toolholders flanges are qualified for use with Erickson QC spindles.

## Straight Shank Tension/ Compression Tap Holders

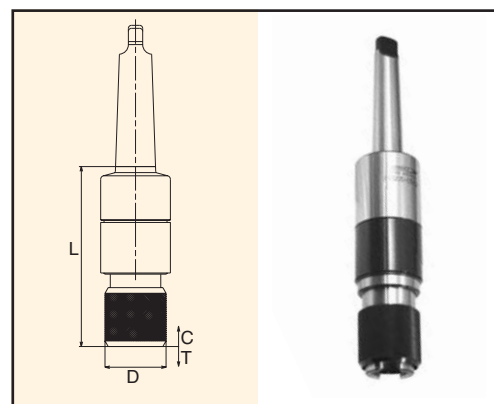
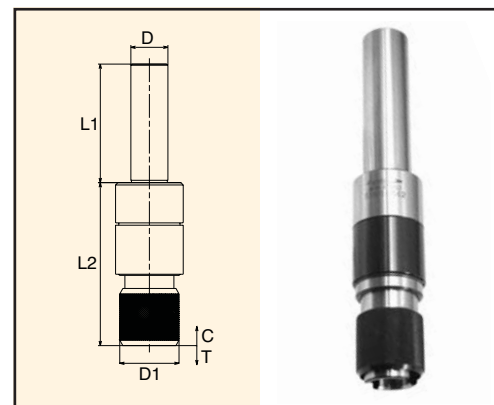
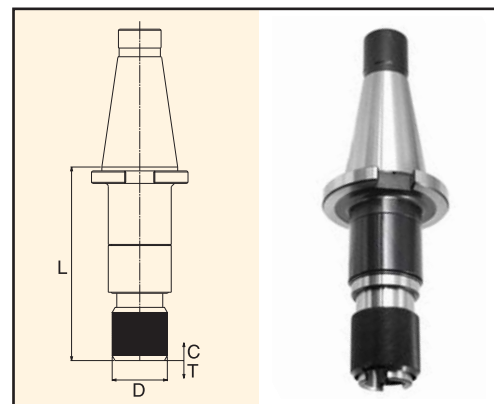
Part Number	Tap Range		System	D	D1	L1	L2	T	C
	Hand	Pipe							
S1005-0562-7.63	#0-9/16"	1/8"	#1	1"	1.25"	3.50"	4.13"	0.79"	0.39"
S1005-0875-9.05	5/16-7/8"	1/4-1/2"	#2	1"	2.00"	3.50"	5.55"	0.85"	0.49"
S1205-0562-8.13	#0-9/16"	1/8"	#1	1-1/4"	1.25"	4.00"	4.13"	0.79"	0.39"
S1205-0875-9.55	5/16-7/8"	1/4-1/2"	#2	1-1/4"	2.00"	4.00"	5.55"	0.85"	0.49"

Straight Shank tooling may be used to extend tooling reach for extended length operations.

- This option is less costly than extended length integral shank tooling.
- They may be used with any size machining center or lathe.
- When loaded into larger holders, their reduced O.D. permits tapping applications within large holes or whenever tight clearances are encountered.

## Morse Taper Tension/ Compression Tap Holders

Part Number	Tap Range		System	D	L	T	C
	Hand	Pipe					
M0205-0562-4.92	#0-9/16"	1/8"	#1	1.25"	4.92"	0.79"	0.39"
M0205-0875-5.94	5/16-7/8"	1/4-1/2"	#2	2.00"	5.94"	0.85"	0.49"
M0305-0562-4.72	#0-9/16"	1/8"	#1	1.25"	4.72"	0.79"	0.39"
M0305-0875-5.94	5/16-7/8"	1/4-1/2"	#2	2.00"	5.94"	0.85"	0.49"
M0405-0562-4.72	#0-9/16"	1/8"	#1	1.25"	4.72"	0.79"	0.39"
M0405-0875-5.94	5/16-7/8"	1/4-1/2"	#2	2.00"	5.94"	0.85"	0.49"



### Accessories:



Tap Collets  
Pages 106-117



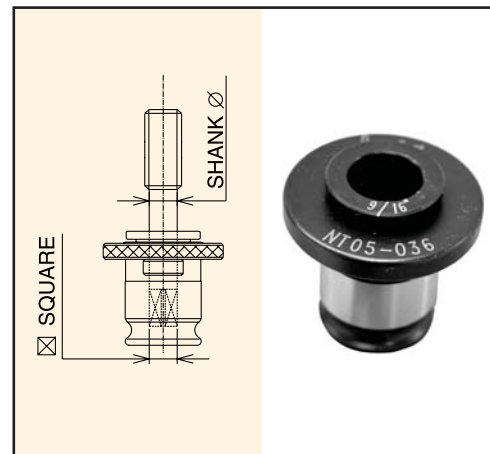
Tap Spanner Wrench  
Page 118

# Tap Collets

## Positive Drive Tap Collets - U.S. Standard

Standard collets are used for standard and coolant-thru tap holders, maximum 750 PSI.

Part Number	System	Tap Size	Tap Shank Ø	Drive Square ☒
NT05-006	#1	#0-6	0.141"	0.110"
NT05-008	#1	#8	0.168"	0.131"
NT05-012	#1	#12	0.220"	0.165"
NT05-016	#1	1/4"	0.255"	0.191"
NT05-020	#1	5/16"	0.318"	0.238"
NT05-024	#1	3/8"	0.381"	0.286"
NT05-028	#1	7/16"	0.323"	0.242"
NT05-032	#1	1/2"	0.367"	0.275"
NT05-036	#1	9/16"	0.429"	0.322"
NT10-020	#2	5/16"	0.318"	0.238"
NT10-024	#2	3/8"	0.381"	0.286"
NT10-028	#2	7/16"	0.323"	0.242"
NT10-032	#2	1/2"	0.367"	0.275"
NT10-036	#2	9/16"	0.429"	0.322"
NT10-040	#2	5/8"	0.480"	0.360"
NT10-044	#2	11/16"	0.542"	0.406"
NT10-048	#2	3/4"	0.590"	0.442"
NT10-052	#2	13/16"	0.652"	0.489"
NT10-056	#2	7/8"	0.697"	0.523"
NT15-052	#3	13/16"	0.652"	0.489"
NT15-056	#3	7/8"	0.697"	0.523"
NT15-060	#3	15/16"	0.760"	0.570"
NT15-064	#3	1"	0.800"	0.600"
NT15-072	#3	1-1/8"	0.896"	0.672"
NT15-080	#3	1-1/4"	1.021"	0.766"
NT15-088	#3	1-3/8"	1.108"	0.831"



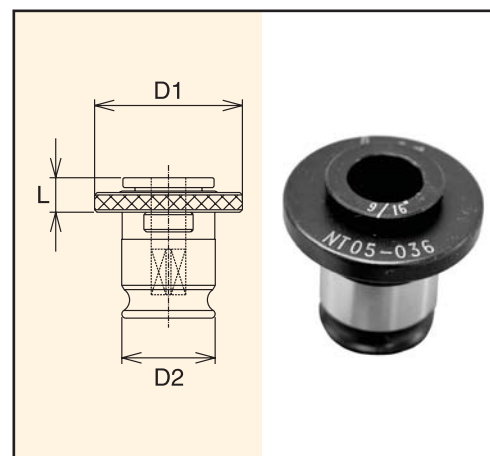
Note: See pages 236-237 for details about dimensions cross over for ANSI, DIN, ISO, JIS Specification Taps.

### Dimensional Data

Type/System	L	D1	D2
#1	0.27"	1.18"	0.75"
#2	0.43"	1.98"	1.22"
#3	0.55"	2.75"	1.89"

## Positive Drive Tap Collets Sets

Part Number	Description
NT05-SET	10 pieces System #1 Positive Drive Tap Collet Set: 0 - 9/16" hand
NT10-SET	10 pieces System #2 Positive Drive Tap Collet Set: 5/16" - 7/8" hand
NT15-SET	7 pieces System #3 Positive Drive Tap Collet Set: 13/16" - 1-3/8" hand



### Accessories:



Tap Collets  
Pages 106-117



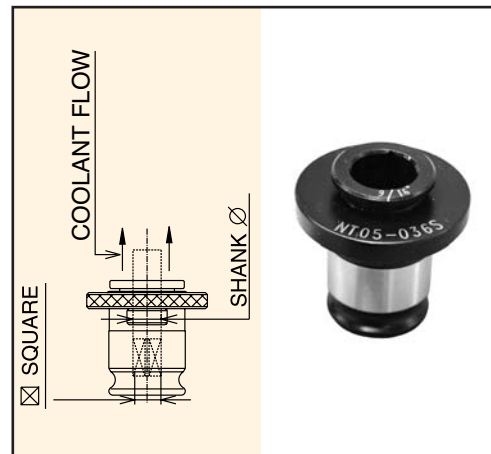
Tap Spanner Wrench  
Page 118

# Tap Collets

## Positive Drive Tap Collets - Slotted

Slotted collets are designed for use with standard taps for coolant along the flute.

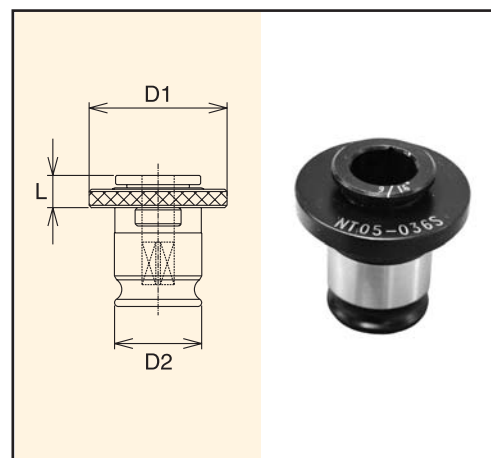
Part Number	System	Tap Size	Tap Shank Ø	Drive Square ☒
NT05-006(S)	#1	#0-6	0.141"	0.110"
NT05-008(S)	#1	#8	0.168"	0.131"
NT05-012(S)	#1	#12	0.220"	0.165"
NT05-016(S)	#1	1/4"	0.255"	0.191"
NT05-020(S)	#1	5/16"	0.318"	0.238"
NT05-024(S)	#1	3/8"	0.381"	0.286"
NT05-028(S)	#1	7/16"	0.323"	0.242"
NT05-032(S)	#1	1/2"	0.367"	0.275"
NT05-036(S)	#1	9/16"	0.429"	0.322"
NT10-020(S)	#2	5/16"	0.318"	0.238"
NT10-024(S)	#2	3/8"	0.381"	0.286"
NT10-028(S)	#2	7/16"	0.323"	0.242"
NT10-032(S)	#2	1/2"	0.367"	0.275"
NT10-036(S)	#2	9/16"	0.429"	0.322"
NT10-040(S)	#2	5/8"	0.480"	0.360"
NT10-044(S)	#2	11/16"	0.542"	0.406"
NT10-048(S)	#2	3/4"	0.590"	0.442"
NT10-052(S)	#2	13/16"	0.652"	0.489"
NT10-056(S)	#2	7/8"	0.697"	0.523"
NT15-052(S)	#3	13/16"	0.652"	0.489"
NT15-056(S)	#3	7/8"	0.697"	0.523"
NT15-060(S)	#3	15/16"	0.760"	0.570"
NT15-064(S)	#3	1"	0.800"	0.600"
NT15-072(S)	#3	1-1/8"	0.896"	0.672"
NT15-080(S)	#3	1-1/4"	1.021"	0.766"
NT15-088(S)	#3	1-3/8"	1.108"	0.831"



Note: See pages 236-237 for details about dimensions cross over for ANSI, DIN, ISO, JIS Specification Taps.

### Dimensional Data

Type/System	L	D1	D2
#1	0.27"	1.18"	0.75"
#2	0.43"	1.98"	1.22"
#3	0.55"	2.75"	1.89"



### Accessories:



Tap Collets  
Pages 106-117

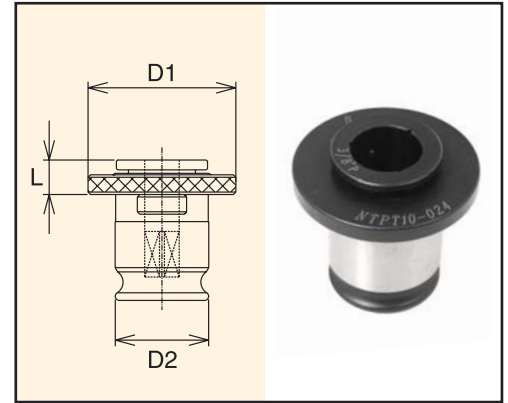


Tap Spanner Wrench  
Page 118

# Tap Collets

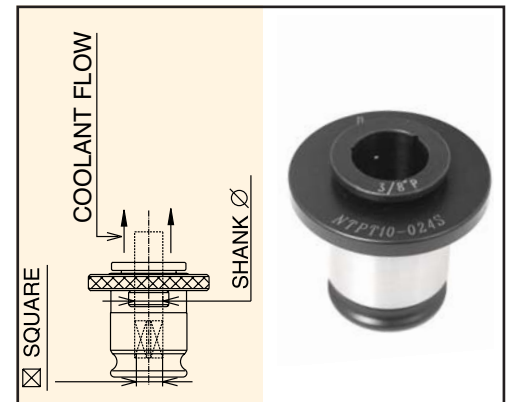
## Positive Drive Pipe Tap Collets - U.S. Standard

Part Number	System	Tap Size	Tap Shank Ø	Drive Square ☒
NTPT05-008S	#1	1/8"S	0.313"	0.234"
NTPT05-008L	#1	1/8"L	0.437"	0.328"
NTPT10-016	#2	1/4"	0.562"	0.421"
NTPT10-024	#2	3/8"	0.700"	0.531"
NTPT10-032	#2	1/2"	0.687"	0.515"
NTPT15-032	#3	1/2"	0.687"	0.515"
NTPT15-048	#3	3/4"	0.906"	0.679"
NTPT15-064	#3	1"	1.125"	0.843"



## Positive Drive Pipe Tap Collets - Slotted

Part Number	System	Tap Size	Tap Shank Ø	Drive Square ☒
NTPT05-008S(S)	#1	sm 1/8"	0.313"	0.234"
NTPT05-008L(S)	#1	lg 1/8"	0.437"	0.328"
NTPT10-016(S)	#2	1/4"	0.562"	0.421"
NTPT10-024(S)	#2	3/8"	0.700"	0.531"
NTPT10-032(S)	#2	1/2"	0.687"	0.515"
NTPT15-032(S)	#3	1/2"	0.687"	0.515"
NTPT15-048(S)	#3	3/4"	0.906"	0.679"
NTPT15-064(S)	#3	1/2"	1.125"	0.843"



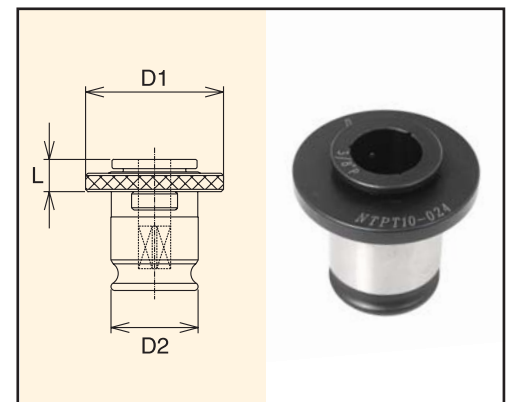
## Positive Drive Pipe Tap Collets Sets

Part Number	Description
NTP05-SET	12 pieces System #1 Positive Drive Tap Collet Set: 0 - 9/16" hand and 1/8" pipe
NTP10-SET	13 pieces System #2 Positive Drive Tap Collet Set: 5/16" - 1" hand and 1/4" - 1/2" pipe
NTP15-SET	10 pieces System #3 Positive Drive Tap Collet Set: 13/16" - 1-3/8" hand and 1/2" - 1" pipe

Note: See pages 236-237 for details about dimensions cross over for ANSI, DIN, ISO, JIS Specification Taps.

## Dimensional Data

Type/System	L	D1	D2
#1	0.27"	1.18"	0.75"
#2	0.43"	1.98"	1.22"
#3	0.55"	2.75"	1.89"



## Accessories:



**Tap Collets**  
Pages 106-117



**Tap Spanner Wrench**  
Page 118



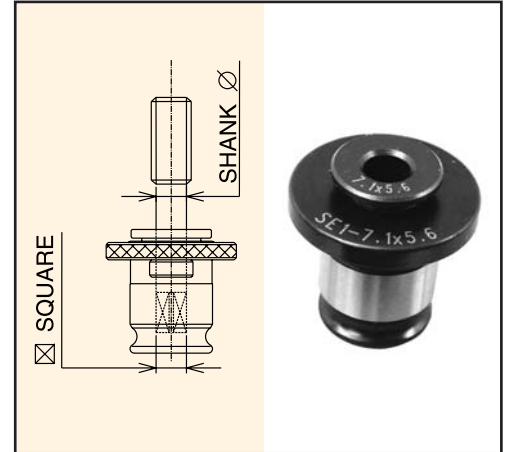
# Tap Collets

## Positive Drive Tap Collets - ISO Standard

Standard collets are used for standard and coolant-thru tap holders, maximum 750 PSI.

Part Number	System	Tap Size	Tap Shank Ø	Drive Square ☒
SE1-2.24X1.8	#1	M3	2.24	1.80
SE1-2.50X2.0	#1	M3.5, M2	2.50	2.00
SE1-2.80X2.24	#1	M2.5, M2.2	2.80	2.24
SE1-3.15X2.50	#1	M4, M3	3.15	2.50
SE1-3.55X2.80	#1	M4.5, M3.5	3.55	2.80
SE1-4.0X3.15	#1	M5, M4	4.00	3.15
SE1-4.5X3.55	#1	M6	4.50	3.55
SE1-5.0X4.0	#1	M5	5.00	4.00
SE1-5.6X4.5	#1	M5	5.60	4.50
SE1-6.3X5.0	#1	M8, M6	6.30	5.00
SE1-7.1X5.6	#1	M7	7.10	5.60
SE1-8.0X6.3	#1	M11, M10, M8	8.00	6.30
SE1-9.0X7.1	#1	M12, M9	9.00	7.10
SE1-10.0X8.0	#1	M10	10.0	8.00
SE1-11.2X9.0	#1	M14	11.2	9.00
SE2-6.3X5.0	#2	M8, M6	6.30	5.00
SE2-7.1X5.6	#2	M7	7.10	5.60
SE2-8.0X6.3	#2	M11, M10, M8	8.00	6.30
SE2-9.0X7.1	#2	M12, M9	9.00	7.10
SE2-10.0X8.0	#2	M10	10.0	8.00
SE2-11.2X9.0	#2	M14	11.2	9.00
SE2-12.5X10.0	#2	M16	12.5	10.0
SE2-14.0X11.2	#2	M20, M18	14.0	11.2
SE2-16.0X12.5	#2	M22	16.0	12.5
SE2-18.0X14.0	#2	M24	18.0	14.0
SE3-9.0X7.1	#3	M12, M9	9.00	7.10
SE3-10.0X8.0	#3	M10	10.0	8.00
SE3-11.2X9.0	#3	M14	11.2	9.00
SE3-12.5X10.0	#3	M16	12.5	10.0
SE3-14.0X11.2	#3	M20, M18	14.0	11.2
SE3-16.0X12.5	#3	M22	16.0	12.5
SE3-18.0X14.0	#3	M24	18.0	14.0
SE3-20.0X16.0	#3	M30, M27	20.0	16.0
SE3-22.4X18.0	#3	M33	22.4	18.0
SE3-25.0X20.0	#3	M36, M33	25.0	20.0

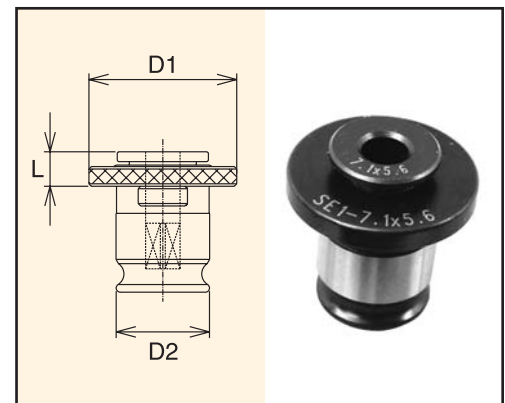
Note: Dimensions are shown in mm.



Note: See pages 236-237 for details about dimensions cross over for ANSI, DIN, ISO, JIS Specification Taps.

### Dimensional Data

Type/System	L	D1	D2
#1	0.27"	1.18"	0.75"
#2	0.43"	1.98"	1.22"
#3	0.55"	2.75"	1.89"



### Accessories:



Tap Collets  
Pages 106-117



Tap Spanner Wrench  
Page 118

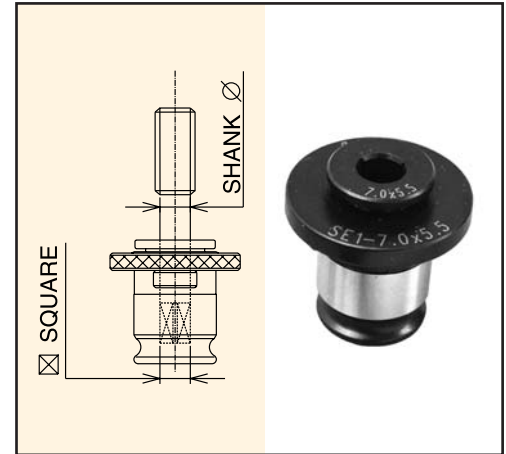
# Tap Collets

## Positive Drive Tap Collets - DIN 371/376 Standard

Standard collets are used for standard and coolant-thru tap holders, maximum 750 PSI.

Part Number	System	Tap Size	Tap Shank Ø	Drive Square ☒
SE1-2.5X2.1	#1	M1.4, M1.8, M3	2.50	2.10
SE1-2.8X2.1	#1	M2, M2.2, M2.5, M4	2.80	2.10
SE1-3.5X2.7	#1	M3, M5	3.50	2.70
SE1-4.0X3.0	#1	M3.5	4.00	3.00
SE1-4.5X3.4	#1	M4, M6	4.50	3.40
SE1-6.0X4.9	#1	M5, M6, M8	6.00	4.90
SE1-7.0X5.5	#1	M10	7.00	5.50
SE1-8.0X6.2	#1	M8, M10	8.00	6.20
SE1-9.0X7.0	#1	M12	9.00	7.00
SE1-10.0X8.0	#1	M10	10.00	8.00
SE1-11.0X9.0	#1	M14	11.00	9.00
SE2-6.0X4.9	#2	M5, M6, M8	6.00	4.90
SE2-7.0X5.5	#2	M10	7.00	5.50
SE2-8.0X6.2	#2	M8, M10	8.00	6.20
SE2-9.0X7.0	#2	M12	9.00	7.00
SE2-11.0X9.0	#2	M14	11.00	9.00
SE2-12.0X9.0	#2	M16	12.00	9.00
SE2-14.0X11.0	#2	M18	14.00	11.00
SE2-16.0X12.0	#2	M20	16.00	12.00
SE2-18.0X14.5	#2	M22, M24	18.00	14.50
SE3-11.0X9.0	#3	M14	11.00	9.00
SE3-12.0X9.0	#3	M16	12.00	9.00
SE3-14.0X11.0	#3	M18	14.00	11.00
SE3-16.0X12.0	#3	M20	16.00	12.00
SE3-18.0X14.5	#3	M22, M24	18.00	14.50
SE3-20.0X16.0	#3	M27, M30	20.00	16.00
SE3-22.0X18.0	#3	M30	22.00	18.00
SE3-25.0X20.0	#3	M33, M36	25.00	20.00
SE3-28.0X22.0	#3	M36	28.00	22.00

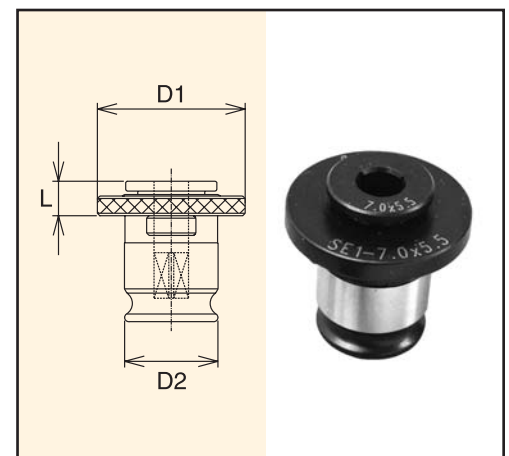
Note: Dimensions are shown in mm.



Note: See pages 236-237 for details about dimensions cross over for ANSI, DIN, ISO, JIS Specification Taps.

### Dimensional Data

Type/System	L	D1	D2
#1	0.27"	1.18"	0.75"
#2	0.43"	1.98"	1.22"
#3	0.55"	2.75"	1.89"



### Accessories:



**Tap Collets**  
Pages 106-117



**Tap Spanner Wrench**  
Page 118

End Mill Holders  
ERTG/DA Collet Chucks  
Shell Mill Holders  
Drill Chucks  
Tap Holders

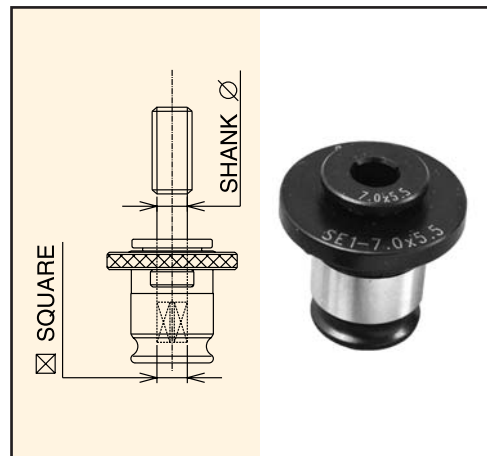
# Tap Collets

## Positive Drive Tap Collets - JIS Standard

Standard collets are used for standard and coolant-thru tap holders, maximum 750 PSI.

Part Number	System	Tap Size	Tap Shank Ø	Drive Square □
SE1-3.0X2.5	#1	M2	3.00	2.50
SE1-4.0X3.2	#1	M3	4.00	3.20
SE1-5.0X4.0	#1	M4, M4.5	5.00	4.00
SE1-5.5X4.5	#1	M5, M5.5	5.50	4.50
SE1-6.0X4.5	#1	M6	6.00	4.50
SE1-6.2X5.0	#1	M7, M8	6.20	5.00
SE1-7.0X5.5	#1	M9, M10	7.00	5.50
SE1-8.0X6.0	#1	M11	8.00	6.00
SE1-8.5X6.5	#1	M12	8.50	6.50
SE1-9.5X7.0	#1	M13	9.50	7.00
SE1-10.5X8.0	#1	M14, M15	10.5	8.00
SE2-6.2X5.0	#2	M7, M8	6.20	5.00
SE2-7.0X5.5	#2	M9, M10	7.00	5.50
SE2-8.0X6.0	#2	M11	8.00	6.00
SE2-8.5X6.5	#2	M12	8.50	6.50
SE2-9.5X7.0	#2	M13	9.50	7.00
SE2-10.5X8.0	#2	M14, M15	10.5	8.00
SE2-12.5X10.0	#2	M16	12.5	10.0
SE2-13.0X10.0	#2	M17	13.0	10.0
SE2-14.0X11.0	#2	M18	14.0	11.0
SE2-15.0X12.0	#2	M20	15.0	12.0
SE2-17.0X13.0	#2	M22	17.0	13.0
SE3-10.5X8.0	#3	M14, M15	10.5	8.00
SE3-12.5X10.0	#3	M16	12.5	10.0
SE3-13.0X10.0	#3	M17	13.0	10.0
SE3-14.0X11.0	#3	M18	14.0	11.0
SE3-15.0X12.0	#3	M20	15.0	12.0
SE3-17.0X13.0	#3	M22	17.0	13.0
SE3-19.0X15.0	#3	M24, M25	19.0	15.0
SE3-20.0X15.0	#3	M26, M27	20.0	15.0
SE3-21.0X17.0	#3	M28	21.0	17.0
SE3-23.0X17.0	#3	M30	23.0	17.0
SE3-24.0X19.0	#3	M32	24.0	19.0
SE3-25.0X19.0	#3	M33	25.0	19.0
SE3-26.0X21.0	#3	M34, M35	26.0	21.0
SE3-28.0X21.0	#3	M36, M38	28.0	21.0

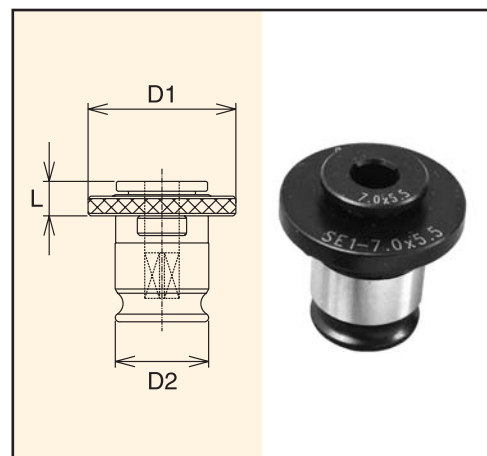
Note: Dimensions are shown in mm.



Note: See pages 236-237 for details about dimensions cross over for ANSI, DIN, ISO, JIS Specification Taps.

### Dimensional Data

Type/System	L	D1	D2
#1	0.27"	1.18"	0.75"
#2	0.43"	1.98"	1.22"
#3	0.55"	2.75"	1.89"



### Accessories:



Tap Collets  
Pages 106-117



Tap Spanner Wrench  
Page 118

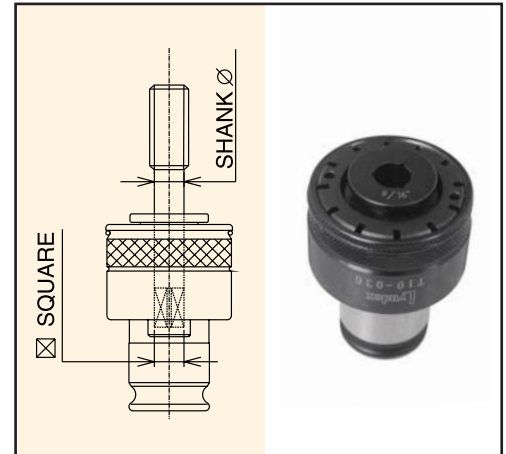
# Tap Collets

## Torque Control Tap Collets - U.S. Standard

Standard collets are used for standard and coolant-thru tap holders, maximum 750 PSI.

Part Number	System	Tap Size	Tap Shank Ø	Drive Square ☒
T05-006	#1	#0-6	0.141"	0.110"
T05-008	#1	#8	0.168"	0.131"
T05-010	#1	#10	0.194"	0.152"
T05-012	#1	#12	0.220"	0.165"
T05-016	#1	1/4"	0.255"	0.191"
T05-020	#1	5/16"	0.318"	0.238"
T05-024	#1	3/8"	0.381"	0.286"
T05-028	#1	7/16"	0.323"	0.242"
T05-032	#1	1/2"	0.367"	0.275"
T05-036	#1	9/16"	0.429"	0.322"
T10-020	#2	5/16"	0.318"	0.238"
T10-024	#2	3/8"	0.381"	0.286"
T10-028	#2	7/16"	0.323"	0.242"
T10-032	#2	1/2"	0.367"	0.275"
T10-036	#2	9/16"	0.429"	0.322"
T10-040	#2	5/8"	0.480"	0.360"
T10-044	#2	11/16"	0.542"	0.406"
T10-048	#2	3/4"	0.590"	0.442"
T10-052	#2	13/16"	0.652"	0.489"
T10-056	#2	7/8"	0.697"	0.523"
T10-064*	#2	1"	0.800"	0.600"
T15-052	#3	13/16"	0.652"	0.489"
T15-056	#3	7/8"	0.697"	0.523"
T15-060	#3	15/16"	0.760"	0.570"
T15-064	#3	1"	0.800"	0.600"
T15-072	#3	1-1/8"	0.896"	0.672"
T15-080	#3	1-1/4"	1.021"	0.766"
T15-088	#3	1-3/8"	1.108"	0.831"

\*This is not a quick change collet. This collet is held with set screws.



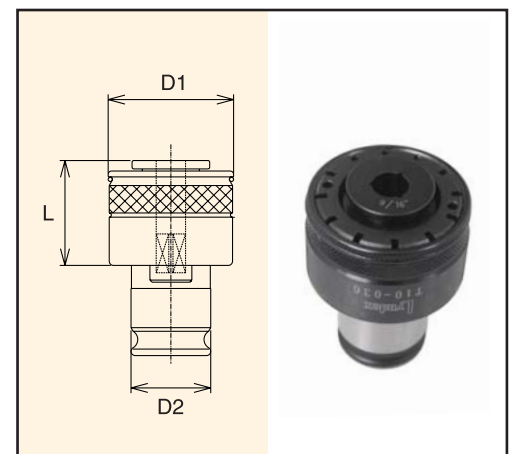
See pages 236-237 for details about dimensions cross over for ANSI, DIN, ISO, JIS Specification Taps.

### Dimensional Data

Type/System	L	D1	D2
#1	0.98"	1.28"	0.75"
#2	1.34"	1.99"	1.22"
#3	1.77"	2.83"	1.89"

## Torque Control Tap Collets Sets

Part Number	Description
T05-SET	10 pieces System #1 Torque Control Tap Collet Set: #0 - 9/16" hand
T10-SET	10 pieces System #2 Torque Control Tap Collet Set: 5/16" - 7/8" hand
T15-SET	7 pieces System #3 Torque Control Tap Collet Set: 13/16" - 1-3/8" hand



### Accessories:



**Tap Collets**  
Pages 106-117



**Tap Spanner Wrench**  
Page 118

End Mill Holders  
ERTG/DA Collet Chucks  
Shell Mill Holders  
Drill Chucks  
Tap Holders

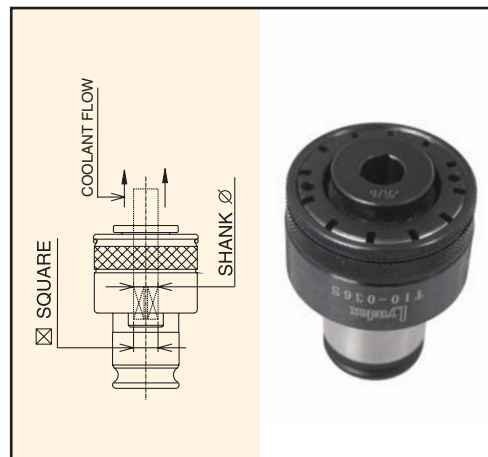
# Tap Collets

## Torque Control Tap Collets - Slotted

Slotted collets are designed for use with standard taps for coolant along the flute.

Part Number	System	Tap Size	Tap Shank Ø	Drive Square ⊠
T05-006(S)	#1	#0-6	0.141"	0.110"
T05-008(S)	#1	#8	0.168"	0.131"
T05-010(S)	#1	#10	0.194"	0.152"
T05-012(S)	#1	#12	0.220"	0.165"
T05-016(S)	#1	1/4"	0.255"	0.191"
T05-020(S)	#1	5/16"	0.318"	0.238"
T05-024(S)	#1	3/8"	0.381"	0.286"
T05-028(S)	#1	7/16"	0.323"	0.242"
T05-032(S)	#1	1/2"	0.367"	0.275"
T05-036(S)	#1	9/16"	0.429"	0.322"
T10-020(S)	#2	5/16"	0.318"	0.238"
T10-024(S)	#2	3/8"	0.381"	0.286"
T10-028(S)	#2	7/16"	0.323"	0.242"
T10-032(S)	#2	1/2"	0.367"	0.275"
T10-036(S)	#2	9/16"	0.429"	0.322"
T10-040(S)	#2	5/8"	0.480"	0.360"
T10-044(S)	#2	11/16"	0.542"	0.406"
T10-048(S)	#2	3/4"	0.590"	0.442"
T10-052(S)	#2	13/16"	0.652"	0.489"
T10-056(S)	#2	7/8"	0.697"	0.523"
T10-064(S)*	#2	1"	0.800"	0.600"
T15-052(S)	#3	13/16"	0.652"	0.489"
T15-056(S)	#3	7/8"	0.697"	0.523"
T15-060(S)	#3	15/16"	0.760"	0.570"
T15-064(S)	#3	1"	0.800"	0.600"
T15-072(S)	#3	1-1/8"	0.896"	0.672"
T15-080(S)	#3	1-1/4"	1.021"	0.766"
T15-088(S)	#3	1-3/8"	1.108"	0.831"

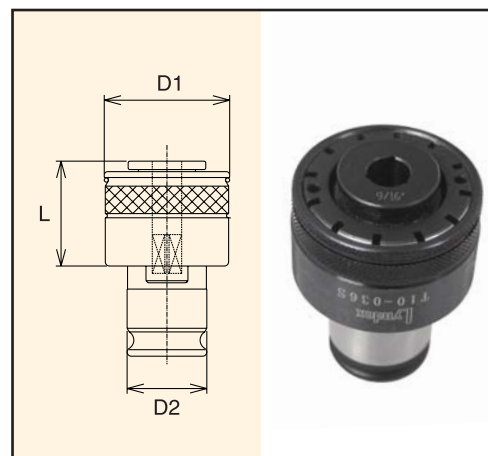
\*This is not a quick change collet. This collet is held with set screws.



See pages 236-237 for details about dimensions cross over for ANSI, DIN, ISO, JIS Specification Taps.

### Dimensional Data

Type/System	L	D1	D2
#1	0.98"	1.28"	0.75"
#2	1.34"	1.99"	1.22"
#3	1.77"	2.83"	1.89"



### Accessories:



Tap Collets  
Pages 106-117

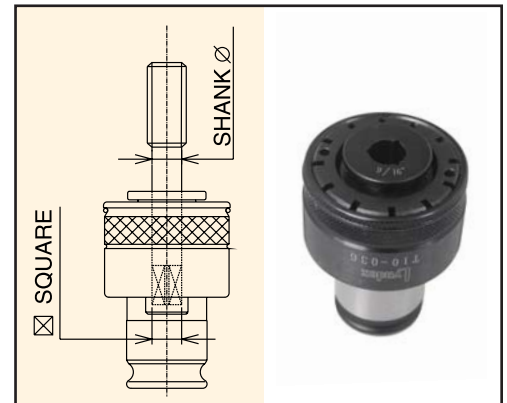


Tap Spanner Wrench  
Page 118

# Tap Collets

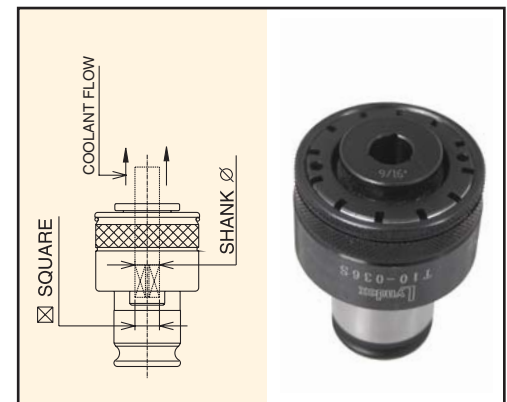
## Torque Control Pipe Tap Collets - U.S. Standard

Part Number	System	Tap Size	Tap Shank Ø	Drive Square ☒
TPT05-008S	#1	1/8"S	0.313"	0.234"
TPT05-008L	#1	1/8"L	0.437"	0.328"
TPT10-016	#2	1/4"	0.562"	0.421"
TPT10-024	#2	3/8"	0.700"	0.531"
TPT10-032	#2	1/2"	0.687"	0.515"
TPT15-032	#3	1/2"	0.687"	0.515"
TPT15-048	#3	3/4"	0.906"	0.679"
TPT15-064	#3	1"	1.125"	0.843"



## Torque Control Pipe Tap Collets - Slotted

Part Number	System	Tap Size	Tap Shank Ø	Drive Square ☒
TPT05-008S(S)	#1	1/8"S	0.313"	0.234"
TPT05-008L(S)	#1	1/8"L	0.437"	0.328"
TPT10-016(S)	#2	1/4"	0.562"	0.421"
TPT10-024(S)	#2	3/8"	0.700"	0.531"
TPT10-032(S)	#2	1/2"	0.687"	0.515"
TPT15-032(S)	#3	1/2"	0.687"	0.515"
TPT15-048(S)	#3	3/4"	0.906"	0.679"
TPT15-064(S)	#3	1"	1.125"	0.843"

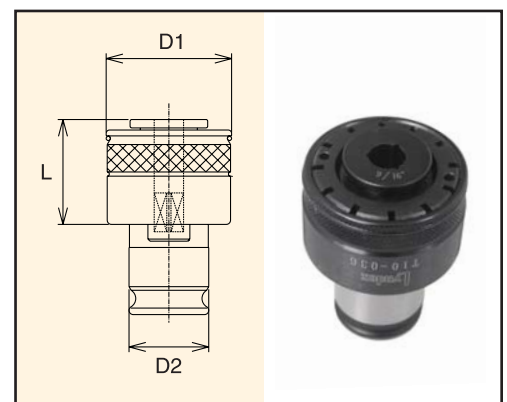


## Torque Control Pipe Tap Collets Sets

Part Number	Description
TP05-SET	12 pieces System #1 Torque Control Tap Collet Set: #0 - 9/16" hand and 1/8" pipe
TP10-SET	13 pieces System #2 Torque Control Tap Collet Set: 5/16" - 7/8" hand and 1/4" - 1/2" pipe
TP15-SET	10 pieces System #3 Torque Control Tap Collet Set: 13/16" - 1-3/8" hand and 1/2" - 1" pipe

## Dimensional Data

Type/System	L	D1	D2
#1	0.98"	1.28"	0.75"
#2	1.34"	1.99"	1.22"
#3	1.77"	2.83"	1.89"



## Accessories:



**Tap Collets**  
Pages 106-117



**Tap Spanner Wrench**  
Page 118

End Mill Holders  
ERT/G/DA Collet Chucks  
Shell Mill Holders  
Drill Chucks  
Tap Holders



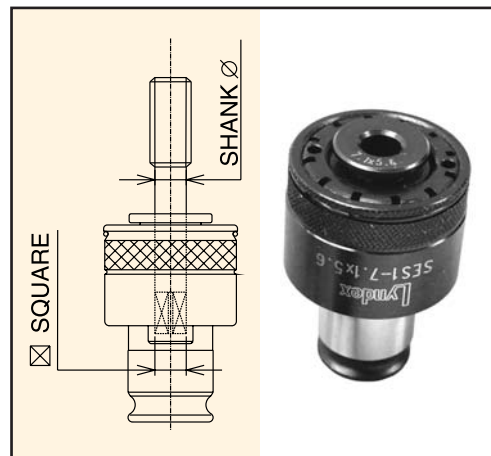
# Tap Collets

## Torque Control Tap Collets - ISO Standard

Standard collets are used for standard and coolant-thru tap holders, maximum 750 PSI.

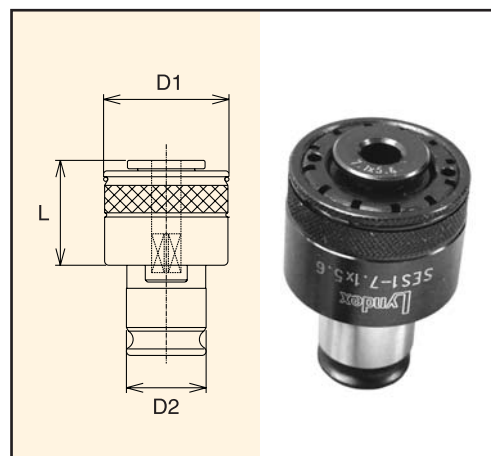
Part Number	System	Tap Size	Tap Shank Ø	Drive Square ☒
SES1-2.24X1.8	#1	M3	2.24	1.80
SES1-2.50X2.0	#1	M3.5, M2	2.50	2.00
SES1-2.80X2.24	#1	M2.5, M2.2	2.80	2.24
SES1-3.15X2.50	#1	M4, M3	3.15	2.50
SES1-3.55X2.80	#1	M4.5, M3.5	3.55	2.80
SES1-4.0X3.15	#1	M5, M4	4.00	3.15
SES1-4.5X3.55	#1	M6	4.50	3.55
SES1-5.0X4.0	#1	M5	5.00	4.00
SES1-5.6X4.5	#1	M5	5.60	4.50
SES1-6.3X5.0	#1	M8, M6	6.30	5.00
SES1-7.1X5.6	#1	M7	7.10	5.60
SES1-8.0X6.3	#1	M11, M10, M8	8.00	6.30
SES1-9.0X7.1	#1	M12, M9	9.00	7.10
SES1-10.0X8.0	#1	M10	10.0	8.00
SES1-11.2X9.0	#1	M14	11.2	9.00
SES2-6.3X5.0	#2	M8, M6	6.30	5.00
SES2-7.1X5.6	#2	M7	7.10	5.60
SES2-8.0X6.3	#2	M11, M10, M8	8.00	6.30
SES2-9.0X7.1	#2	M12, M9	9.00	7.10
SES2-10.0X8.0	#2	M10	10.0	8.00
SES2-11.2X9.0	#2	M14	11.2	9.00
SES2-12.5X10.0	#2	M16	12.5	10.0
SES2-14.0X11.2	#2	M20, M18	14.0	11.2
SES2-16.0X12.5	#2	M22	16.0	12.5
SES2-18.0X14.0	#2	M24	18.0	14.0
SES3-9.0X7.1	#3	M12, M9	9.00	7.10
SES3-10.0X8.0	#3	M10	10.0	8.00
SES3-11.2X9.0	#3	M14	11.2	9.00
SES3-12.5X10.0	#3	M16	12.5	10.0
SES3-14.0X11.2	#3	M20, M18	14.0	11.2
SES3-16.0X12.5	#3	M22	16.0	12.5
SES3-18.0X14.0	#3	M24	18.0	14.0
SES3-20.0X16.0	#3	M30, M27	20.0	16.0
SES3-22.4X18.0	#3	M33	22.4	18.0
SES3-25.0X20.0	#3	M36, M33	25.0	20.0

Note: Dimensions are shown in mm.



### Dimensional Data

Type/System	L	D1	d2
#1	0.98"	1.28"	0.75"
#2	1.34"	1.99"	1.22"
#3	1.77"	2.83"	1.89"



### Accessories:



Tap Collets  
Pages 106-117



Tap Spanner Wrench  
Page 118

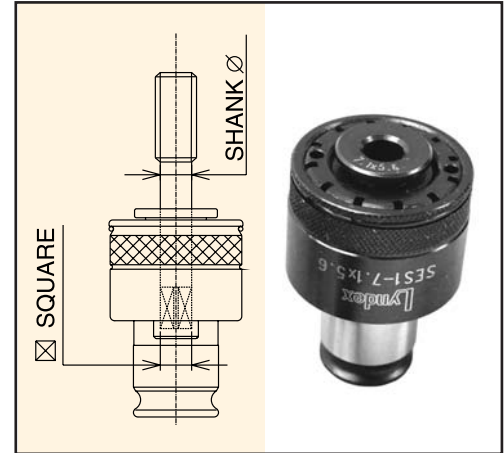
# Tap Collets

## Torque Control Tap Collets - DIN 371/376 Standard

Standard collets are used for standard and coolant-thru tap holders, maximum 750 PSI.

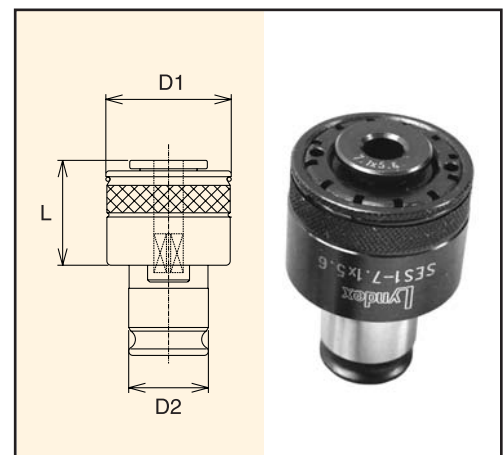
Part Number	System	Tap Size	Tap Shank Ø	Drive Square ☒
SES1-2.5X2.1	#1	M1.4, M1.8, M3	2.50	2.10
SES1-2.8X2.1	#1	M2, M2.2, M2.5, M4	2.80	2.10
SES1-3.5X2.7	#1	M3, M5	3.50	2.70
SES1-4.0X3.0	#1	M3.5	4.00	3.00
SES1-4.5X3.4	#1	M4, M6	4.50	3.40
SES1-6.0X4.9	#1	M5, M6, M8	6.00	4.90
SES1-7.0X5.5	#1	M10	7.00	5.50
SES1-8.0X6.2	#1	M8, M10	8.00	6.20
SES1-9.0X7.0	#1	M12	9.00	7.00
SES1-10.0X8.0	#1	M10	10.00	8.00
SES1-11.0X9.0	#1	M14	11.00	9.00
SES2-6.0X4.9	#2	M5, M6, M8	6.00	4.90
SES2-7.0X5.5	#2	M10	7.00	5.50
SES2-8.0X6.2	#2	M8, M10	8.00	6.20
SES2-9.0X7.0	#2	M12	9.00	7.00
SES2-10.0X8.0	#2	M10	10.00	8.00
SES2-11.0X9.0	#2	M14	11.00	9.00
SES2-12.0X9.0	#2	M16	12.00	9.00
SES2-14.0X11.0	#2	M18	14.00	11.00
SES2-16.0X12.0	#2	M20	16.00	12.00
SES2-18.0X14.5	#2	M22, M24	18.00	14.50
SES3-8.0X6.2	#2	M8, M10	8.00	6.20
SES3-9.0X7.0	#3	M12	9.00	7.00
SES3-10.0X8.0	#3	M10	10.00	8.00
SES3-11.0X9.0	#3	M14	11.00	9.00
SES3-12.0X9.0	#3	M16	12.00	9.00
SES3-14.0X11.0	#3	M18	14.00	11.00
SES3-16.0X12.0	#3	M20	16.00	12.00
SES3-18.0X14.5	#3	M22, M24	18.00	14.50
SES3-20.0X16.0	#3	M27, M30	20.00	16.00
SES3-22.0X18.0	#3	M30	22.00	18.00
SES3-25.0X20.0	#3	M33, M36	25.00	20.00
SES3-28.0X22.0	#3	M36	28.00	22.00

Note: Dimensions are shown in mm.



### Dimensional Data

Type/System	L	D1	D2
#1	0.98"	1.28"	0.75"
#2	1.34"	1.99"	1.22"
#3	1.77"	2.83"	1.89"



### Accessories:



**Tap Collets**  
Pages 106-117



**Tap Spanner Wrench**  
Page 118

End Mill Holders  
ERTG/DA Collet Chucks  
Shell Mill Holders  
Drill Chucks  
Tap Holders

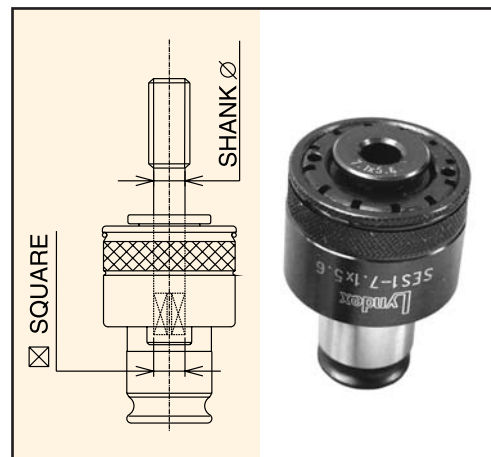
# Tap Collets

## Torque Control Tap Collets - JIS Standard

Standard collets are used for standard and coolant-thru tap holders, maximum 750 PSI.

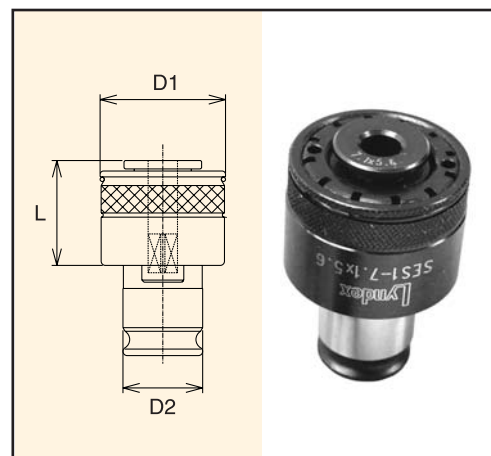
Part Number	System	Tap Size	Tap Shank Ø	Drive Square ☒
SES1-3.0X2.5	#1	M2	3.00	2.50
SES1-4.0X3.2	#1	M3	4.00	3.20
SES1-5.0X4.0	#1	M4, M4.5	5.00	4.00
SES1-5.5X4.5	#1	M5, M5.5	5.50	4.50
SES1-6.0X4.5	#1	M6	6.00	4.50
SES1-6.2X5.0	#1	M7, M8	6.20	5.00
SES1-7.0X5.5 (JIS)	#1	M9, M10	7.00	5.50
SES1-8.0X6.0	#1	M11	8.00	6.00
SES1-8.5X6.5	#1	M12	8.50	6.50
SES1-9.5X7.0	#1	M13	9.50	7.00
SES1-10.5X8.0	#1	M14, M15	10.5	8.00
SES2-6.2X5.0	#2	M7, M8	6.20	5.00
SES2-7.0X5.5 (JIS)	#2	M9, M10	7.00	5.50
SES2-8.0X6.0	#2	M11	8.00	6.00
SES2-8.5X6.5	#2	M12	8.50	6.50
SES2-9.5X7.0	#2	M13	9.50	7.00
SES2-10.5X8.0	#2	M14, M15	10.5	8.00
SES2-12.5X10.0	#2	M16	12.5	10.0
SES2-14.0X11.0 (JIS)	#2	M18	14.0	11.0
SES2-15.0X12.0	#2	M20	15.0	12.0
SES2-17.0X13.0	#2	M22	17.0	13.0
SES3-10.5X8.0	#3	M14, M15	10.5	8.00
SES3-12.5X10.0	#3	M16	12.5	10.0
SES3-13.0X10.0	#3	M17	13.0	10.0
SES3-14.0X11.0 (JIS)	#3	M18	14.0	11.0
SES3-15.0X12.0	#3	M20	15.0	12.0
SES3-17.0X13.0	#3	M22	17.0	13.0
SES3-19.0X15.0	#3	M24, M25	19.0	15.0
SES3-20.0X15.0	#3	M26, M27	20.0	15.0
SES3-21.0X17.0	#3	M28	21.0	17.0
SES3-23.0X17.0	#3	M30	23.0	17.0
SES3-24.0X19.0	#3	M32	24.0	19.0
SES3-25.0X19.0	#3	M33	25.0	19.0
SES3-26.0X21.0	#3	M34, M35	26.0	21.0
SES3-28.0X21.0	#3	M36, M38	28.0	21.0

Note: Dimensions are shown in mm.



### Dimensional Data

Type/System	L	D1	D2
#1	0.98"	1.28"	0.75"
#2	1.34"	1.99"	1.22"
#3	1.77"	2.83"	1.89"



### Accessories:



Tap Collets  
Pages 106-117

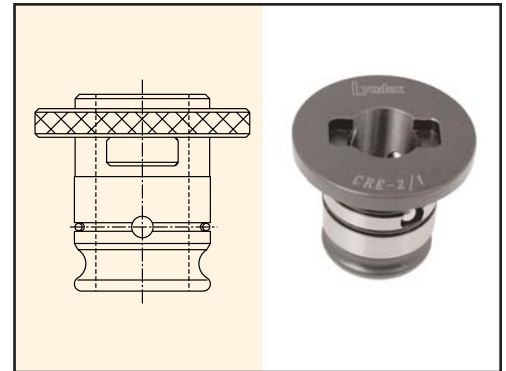


Tap Spanner Wrench  
Page 118

## Accessories

### Tap Collet Reducers

Part Number	Description
CRE-2/1	System# 2 Reduction Adapter to System #1
CRE-3/2	System# 3 Reduction Adapter to System #2



### Tap Collet Racks

Part Number	Description
RACK-ER20/TAP1	System #1 Tap Collet Rack, 24 pieces capacity
RACK-ER32/TAP2	System #2 Tap Collet Rack, 32 pieces capacity



### Spanner Wrench for Tap Holders

Part Number	Description
T05-SPAN	Fits System #1 Torque Control Tap Collets
T10-SPAN	Fits System #2 Torque Control Tap Collets
T15-SPAN	Fits System #3 Torque Control Tap Collets



### Coolant Tube Wrench for HSK holders

Part Number	Description
HSK63-WRENCH	Wrench for HSK63 Coolant Tube
HSK40-WRENCH	Wrench for HSK40 Coolant Tube
HSK100-WRENCH	Wrench for HSK100 Coolant Tube

Coolant tube wrenches are needed to remove or install coolant tubes in HSK toolholders.



### Coolant Tube for HSK holders

Part Number	Description
HSK63-TUBE	Coolant tube for HSK63 Holders
HSK40-TUBE	Coolant tube for HSK40 Holders
HSK100-TUBE	Coolant tube for HSK100 Holders

