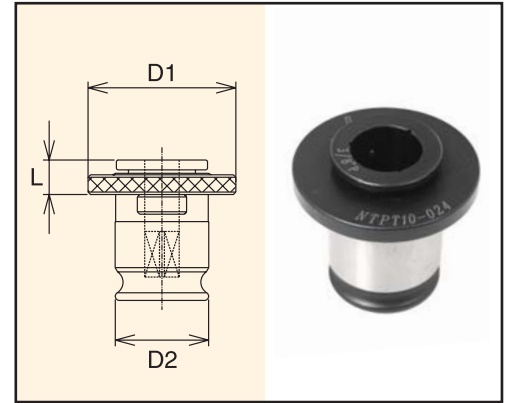


Tap Collets

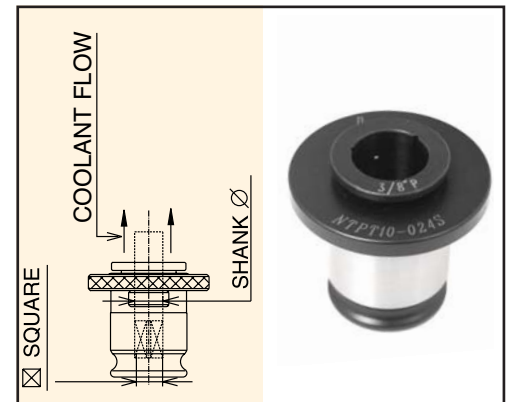
Positive Drive Pipe Tap Collets - U.S. Standard

Part Number	System	Tap Size	Tap Shank Ø	Drive Square ☒
NTPT05-008S	#1	1/8"S	0.313"	0.234"
NTPT05-008L	#1	1/8"L	0.437"	0.328"
NTPT10-016	#2	1/4"	0.562"	0.421"
NTPT10-024	#2	3/8"	0.700"	0.531"
NTPT10-032	#2	1/2"	0.687"	0.515"
NTPT15-032	#3	1/2"	0.687"	0.515"
NTPT15-048	#3	3/4"	0.906"	0.679"
NTPT15-064	#3	1"	1.125"	0.843"



Positive Drive Pipe Tap Collets - Slotted

Part Number	System	Tap Size	Tap Shank Ø	Drive Square ☒
NTPT05-008S(S)	#1	sm 1/8"	0.313"	0.234"
NTPT05-008L(S)	#1	lg 1/8"	0.437"	0.328"
NTPT10-016(S)	#2	1/4"	0.562"	0.421"
NTPT10-024(S)	#2	3/8"	0.700"	0.531"
NTPT10-032(S)	#2	1/2"	0.687"	0.515"
NTPT15-032(S)	#3	1/2"	0.687"	0.515"
NTPT15-048(S)	#3	3/4"	0.906"	0.679"
NTPT15-064(S)	#3	1/2"	1.125"	0.843"



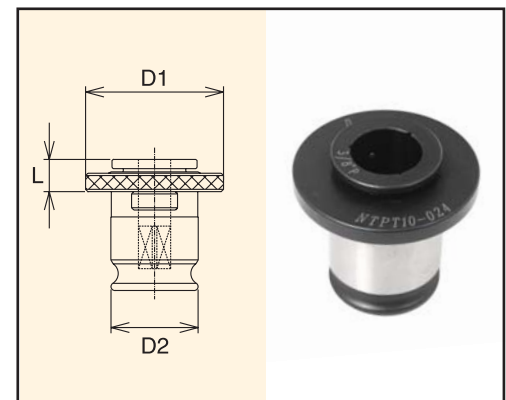
Positive Drive Pipe Tap Collets Sets

Part Number	Description
NTP05-SET	12 pieces System #1 Positive Drive Tap Collet Set: 0 - 9/16" hand and 1/8" pipe
NTP10-SET	13 pieces System #2 Positive Drive Tap Collet Set: 5/16" - 1" hand and 1/4" - 1/2" pipe
NTP15-SET	10 pieces System #3 Positive Drive Tap Collet Set: 13/16" - 1-3/8" hand and 1/2" - 1" pipe

Note: See pages 236-237 for details about dimensions cross over for ANSI, DIN, ISO, JIS Specification Taps.

Dimensional Data

Type/System	L	D1	D2
#1	0.27"	1.18"	0.75"
#2	0.43"	1.98"	1.22"
#3	0.55"	2.75"	1.89"



Accessories:



Tap Collets
Pages 106-117



Tap Spanner Wrench
Page 118