

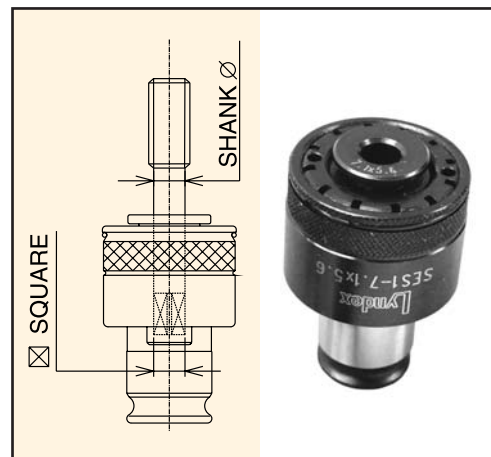
# Tap Collets

## Torque Control Tap Collets - JIS Standard

Standard collets are used for standard and coolant-thru tap holders, maximum 750 PSI.

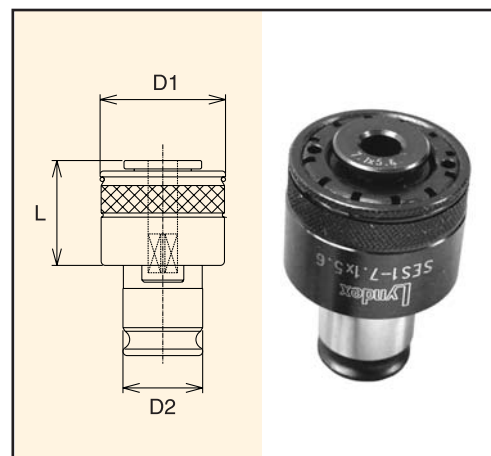
Part Number	System	Tap Size	Tap Shank Ø	Drive Square ☒
SES1-3.0X2.5	#1	M2	3.00	2.50
SES1-4.0X3.2	#1	M3	4.00	3.20
SES1-5.0X4.0	#1	M4, M4.5	5.00	4.00
SES1-5.5X4.5	#1	M5, M5.5	5.50	4.50
SES1-6.0X4.5	#1	M6	6.00	4.50
SES1-6.2X5.0	#1	M7, M8	6.20	5.00
SES1-7.0X5.5 (JIS)	#1	M9, M10	7.00	5.50
SES1-8.0X6.0	#1	M11	8.00	6.00
SES1-8.5X6.5	#1	M12	8.50	6.50
SES1-9.5X7.0	#1	M13	9.50	7.00
SES1-10.5X8.0	#1	M14, M15	10.5	8.00
SES2-6.2X5.0	#2	M7, M8	6.20	5.00
SES2-7.0X5.5 (JIS)	#2	M9, M10	7.00	5.50
SES2-8.0X6.0	#2	M11	8.00	6.00
SES2-8.5X6.5	#2	M12	8.50	6.50
SES2-9.5X7.0	#2	M13	9.50	7.00
SES2-10.5X8.0	#2	M14, M15	10.5	8.00
SES2-12.5X10.0	#2	M16	12.5	10.0
SES2-14.0X11.0 (JIS)	#2	M18	14.0	11.0
SES2-15.0X12.0	#2	M20	15.0	12.0
SES2-17.0X13.0	#2	M22	17.0	13.0
SES3-10.5X8.0	#3	M14, M15	10.5	8.00
SES3-12.5X10.0	#3	M16	12.5	10.0
SES3-13.0X10.0	#3	M17	13.0	10.0
SES3-14.0X11.0 (JIS)	#3	M18	14.0	11.0
SES3-15.0X12.0	#3	M20	15.0	12.0
SES3-17.0X13.0	#3	M22	17.0	13.0
SES3-19.0X15.0	#3	M24, M25	19.0	15.0
SES3-20.0X15.0	#3	M26, M27	20.0	15.0
SES3-21.0X17.0	#3	M28	21.0	17.0
SES3-23.0X17.0	#3	M30	23.0	17.0
SES3-24.0X19.0	#3	M32	24.0	19.0
SES3-25.0X19.0	#3	M33	25.0	19.0
SES3-26.0X21.0	#3	M34, M35	26.0	21.0
SES3-28.0X21.0	#3	M36, M38	28.0	21.0

Note: Dimensions are shown in mm.



### Dimensional Data

Type/System	L	D1	D2
#1	0.98"	1.28"	0.75"
#2	1.34"	1.99"	1.22"
#3	1.77"	2.83"	1.89"



### Accessories:



Tap Collets  
Pages 106-117



Tap Spanner Wrench  
Page 118