



# SERVICE PARTS LIST

BULLETIN NO.  
54-42-2400

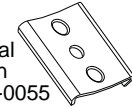
SPECIFY CATALOG NO. AND SERIAL NO. WHEN ORDERING PARTS		REVISED BULLETIN	DATE
<b>M12™ Sub-Compact 1/4" Hex Driver</b>			Feb. 2014
CATALOG NO. <b>2401-20</b>	STARTING SERIAL NO. <b>B30A</b>	WIRING INSTRUCTION <b>SEE NOTES</b>	

**EXAMPLE:**  


00	0
----	---

 Component Parts (Small #) Are Included When Ordering The Assembly (Large #).

**\***



Original Design  
42-70-0055



42-70-0058  
Improved Design

M12™ tools utilize two different Housing Connection Clip designs depending on the Handle Set. See page two for details.

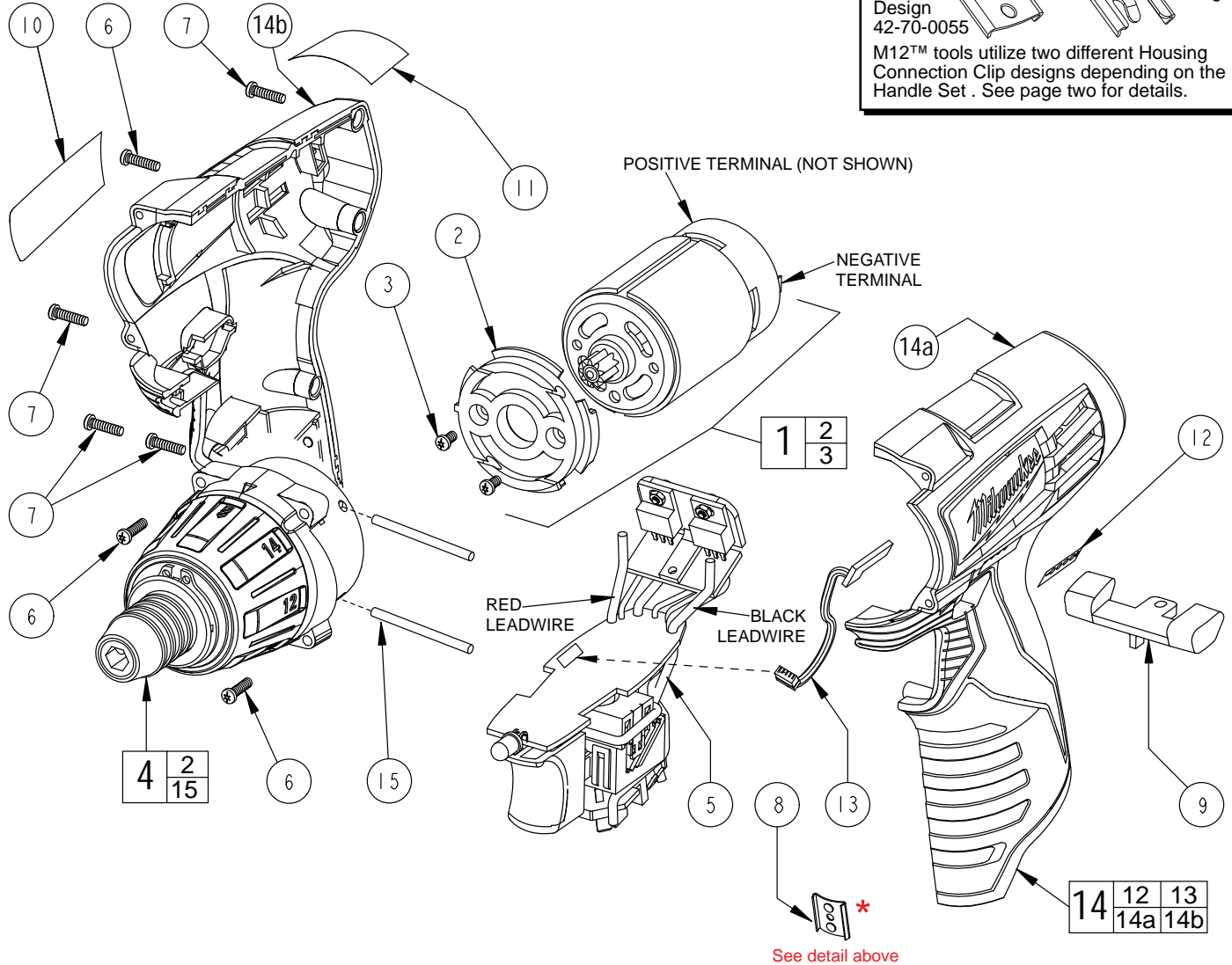


FIG.	PART NO.	DESCRIPTION OF PART	NO. REQ.
1	23-30-0095	Motor assembly	(1)
2	44-66-0155	Motor mount plate	(1)
3	05-81-0205	Screw	(2)
4	14-29-0095	Gearcase assembly	(1)
5	23-66-1095	Electronics module assembly	(1)
6	06-82-2400	Screw	(5)
7	06-82-2395	Screw	(4)
8	42-70-0055	Housing Connection clip	(1)
9	45-24-0095	Forward/reverse button	(1)
10	12-20-2400	Service nameplate	(1)
11	10-15-0955	Warning label	(1)
12	10-20-0760	Fuel gauge label	(1)
13	22-09-0075	Fuel gauge	(1)
14	31-50-2400	Housing assembly	(1)
14a	-----	Housing half- left	(1)
14b	-----	Housing half- right	(1)
15	-----	Metal pin	(2)

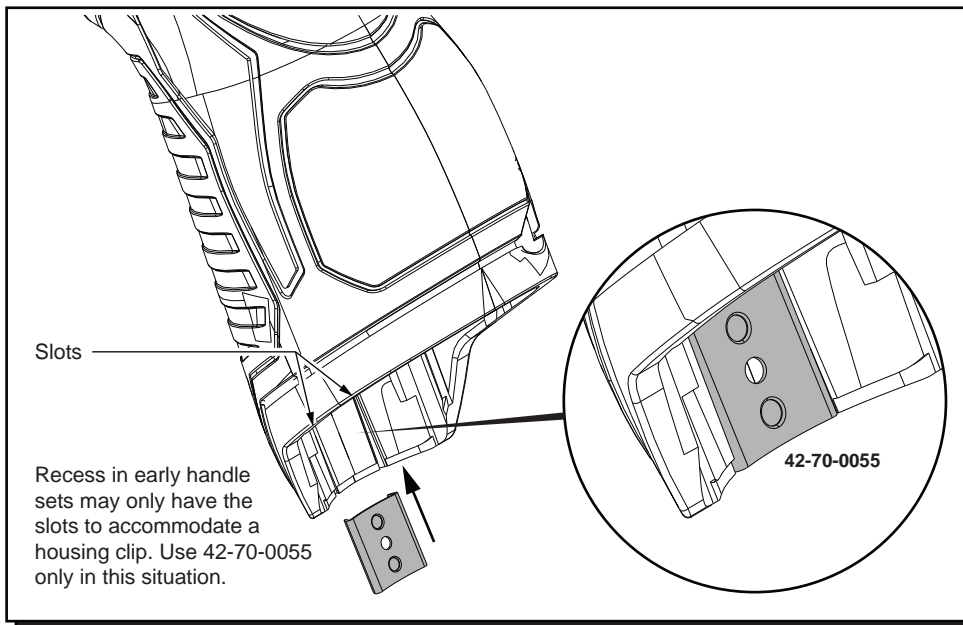
**NOTES:**

1,2,4 **IMPORTANT: See the back side of this bulletin if servicing the motor assembly (1) or the gearcase assembly (4).**

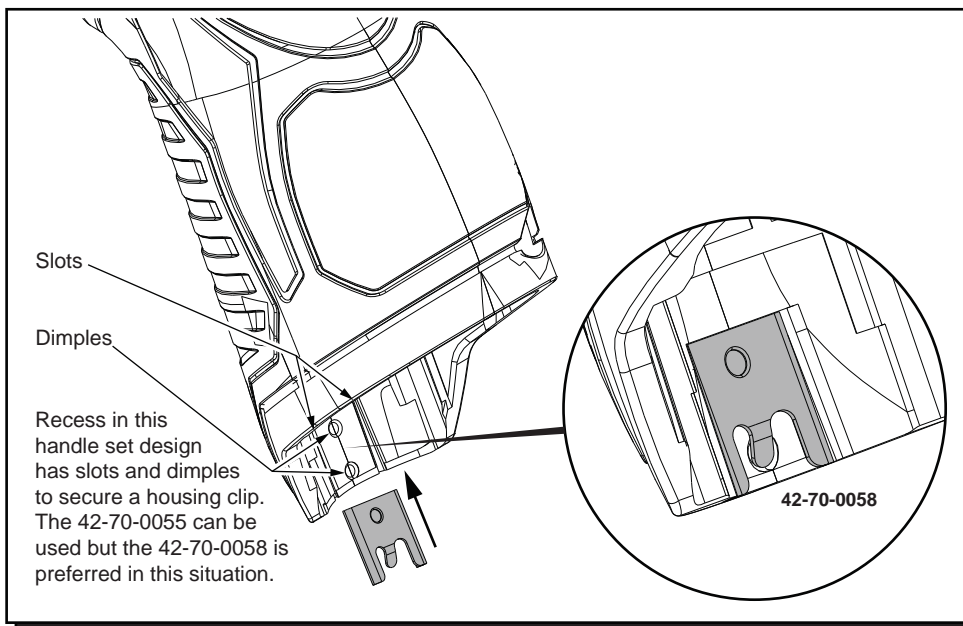
3 Seating torque is to be 6-12 Kgf-cm (5-10.5 in-lbs)

5, 1 Solder red lead wire from electronics module assembly (5) to positive terminal (red) of Motor Assembly. Solder black lead wire from electronics module assembly (5) to negative terminal of Motor Assembly.

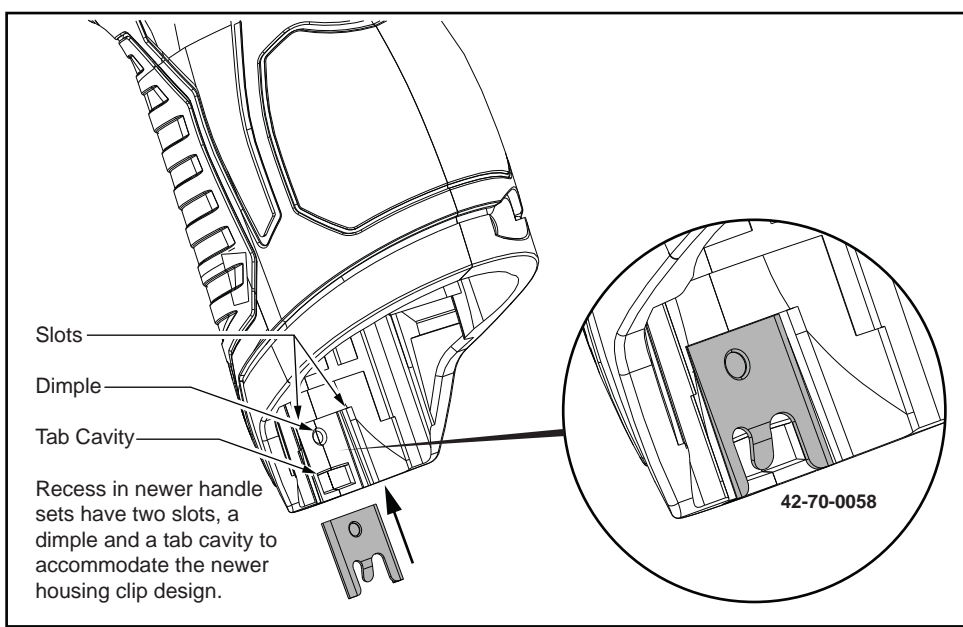
5, 13 Insert the fuel gauge (13) wire assembly into the electronics module assembly.



Early M12™ Handle Sets utilize **Housing Connection Clip No. 42-70-0055**. Install this clip design by aligning the side rails of the clip with the two slots in the handle set. Gently push into place with the aid of a small flat blade screwdriver or a similar instrument. Be sure that the clip is properly seated in both slots and that the clip is flush to sub-flush to the end of the handle set. To remove the clip, use the same small flat blade screwdriver or a similar instrument and push the clip out of the handle set. If the clip is loose or will not stay in place, a needle nose pliers can be used to gently bend/pinch the side rails of the clip. If the clip is damaged do not use, replace with a new 42-70-0055 housing clip.



Updated M12™ Handle Sets utilize **Housing Connection Clips No. 42-70-0055 and 42-70-0058. (The 42-70-0058 is a preferred upgrade)**. Install this clip design by aligning the side rails of the clip with the two slots in the handle set. Gently push into place with the aid of a small flat blade screwdriver or a similar instrument. Be sure that the clip is properly seated in both slots and that the tab of the clip snaps down in the round dimpled cavity of the handle set. Be sure that the clip is flush to sub-flush to the end of the handle set. To remove the clip, use the same small flat blade screwdriver or a similar instrument and lift up on the clip tab while pushing the clip out of the handle set. Use a needle nose pliers to gently rebend the clip tab if necessary. If the tab on the clip is damaged during this process and is loose or will not stay in place, replace with a new 42-70-0058 clip.



Newer M12™ Handle Sets utilize **Housing Connection Clip No. 42-70-0058**. Install this clip design by aligning the side rails of the clip with the two slots in the handle set. Gently push into place with the aid of a small flat blade screwdriver or a similar instrument. Be sure that the clip is properly seated in both slots and that the tab of the clip snaps down in the rectangular cavity of the handle set. Be sure that the clip is flush to sub-flush to the end of the handle set. To remove the clip, use the same small flat blade screwdriver or a similar instrument and lift the clip tab out of the cavity while pushing the clip out of the handle set. Use a needle nose pliers to gently rebend the clip tab if necessary. If the tab on the clip is damaged during this process and is loose or will not stay in place, replace with a new 42-70-0058 clip.

**SUBJECT: 23-30-0095 MOTOR ASSEMBLY with NYLON or ALUMINUM Motor Mount Plate**  
**14-29-0095 GEARCASE ASSEMBLY with NON-MACHINED or MACHINED Gearcase**

Motor Mount Plate of service replacement 23-30-0095 MOTOR ASSEMBLY can be either NYLON or ALUMINUM.

When replacing either the 23-30-0095 MOTOR ASSEMBLY or 14-29-0095 GEARCASE ASSEMBLY the mating of the motor assembly with the gearcase **is dependent on the original motor mount plate** of 2401-20 Hex Driver being serviced. If a 2401-20 Hex Driver **original motor** has a nylon motor mount then replace any service replacement MOTOR ASSEMBLY aluminum motor mount with the original nylon motor mount plate from the original motor before installing it to the gearcase and vice versa - if the original motor has a aluminum motor mount then replace the service replacement MOTOR ASSEMBLY nylon motor mount with the original aluminum before installing to the gearcase.

