

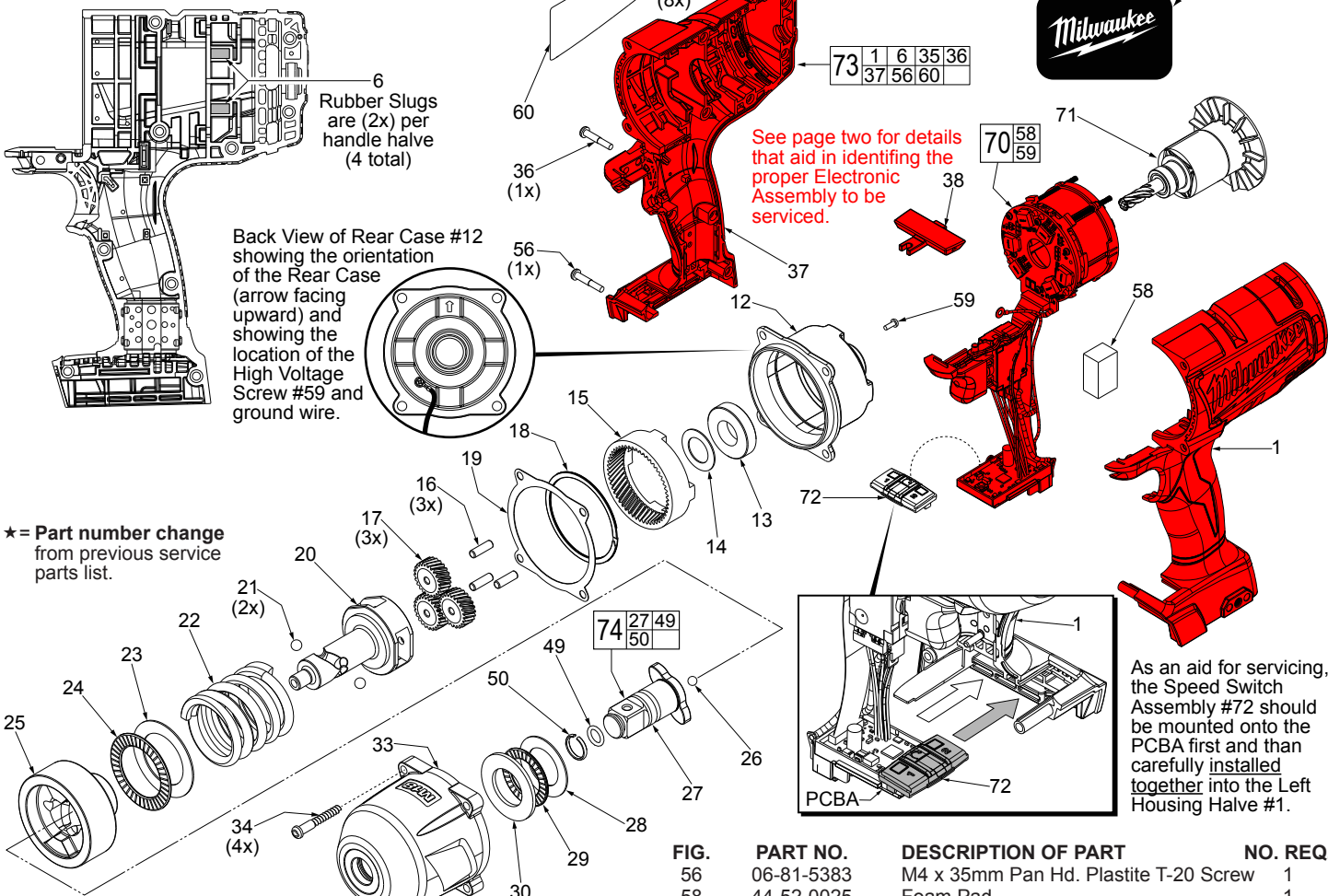


SERVICE PARTS LIST

**BULLETIN NO.
54-26-2742**

SPECIFY CATALOG NO. AND SERIAL NO. WHEN ORDERING PARTS		REVISED BULLETIN	DATE
M18 FUEL™ 3/4" SQUARE IMPACT WRENCH with friction ring		54-26-2741	Aug. 2016
CATALOG NO. 2764-20	STARTING SERIAL NO. F43C or F43D	WIRING INSTRUCTION See Page 2	

EXAMPLE:
Component Parts (Small #) Are Included
When Ordering The Assembly (Large #).



★ = Part number change from previous service parts list.

FIG.	PART NO.	DESCRIPTION OF PART	NO. REQ.
1	-----	Handle Support (Housing Halve-Left) w/ metal pin	1
6	45-30-0255	Rubber Slug	4
12	44-66-0417	Rear Case	1
13	02-04-0375	Ball Bearing	1
14	45-88-1655	Thrust Washer	1
15	32-65-0025	Ring Gear	1
16	44-60-1960	Planet Pin	3
17	32-62-0500	Planet Gear	3
18	30-40-0052	Retaining Ring	1
19	43-44-0065	Gasket	1
20	36-10-0030	Camshaft	1
21	02-02-0250	1/4" Steel Ball	2
22	40-50-0995	Hammer Spring	1
23	45-88-1006	Thrust Washer	1
24	02-80-0200	Hammer Thrust Bearing	1
25	43-81-0110	Hammer	1
26	02-02-7010	7/32" Steel Ball	1
27	-----	3/4" Square Anvil	1
28	45-88-1875	Thrust Washer	1
29	02-80-3256	Thrust Bearing	1
30	45-88-0032	Thrust Washer	1
33	14-30-0150	Front Housing Assembly with Bushing	1
34	06-82-2210	50 x 40mm Pan Hd. PT T-20 Screw	4
35	06-82-0995	M4 x 16mm Pan Hd. Plastite T-20 Screw	8
36	06-82-2230	M4 x 22mm Pan Hd. Plastite T-20 Screw	1
37	-----	Handle Cover (Housing Halve Right)	1
39	40-50-1135	Shuttle Spring (for 45-24-0130, not shown)	1
49	34-40-1210	O-Ring	1
50	44-90-4540	Friction Ring	1

FIG.	PART NO.	DESCRIPTION OF PART	NO. REQ.
56	06-81-5383	M4 x 35mm Pan Hd. Plastite T-20 Screw	1
58	44-52-0025	Foam Pad	1
59	06-82-0165	High Voltage Screw	1
60	12-20-2626	Service Nameplate	1
65	42-55-2762	Carrying Case	1
71	16-01-0105	Rotor Assembly	1
72	45-24-0110	Speed Switch Assembly	1
74	42-06-0060	3/4" Square Anvil Assembly w/ friction ring	1

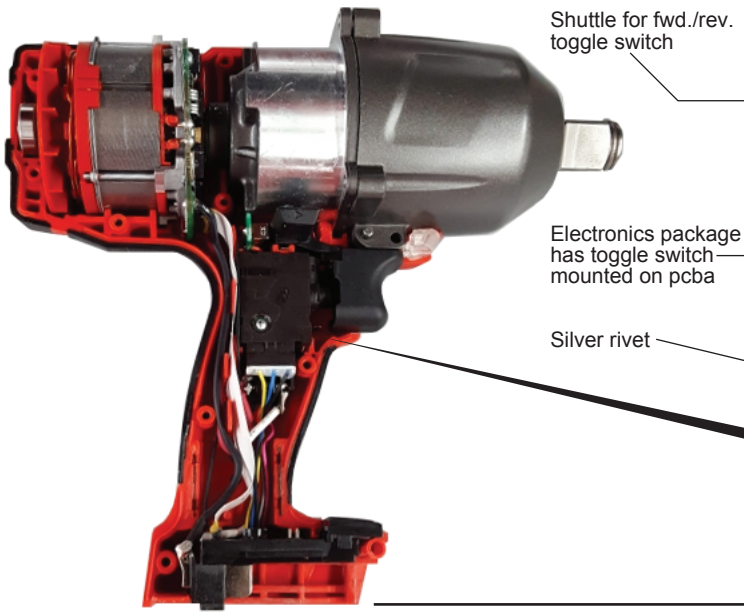
IMPORTANT! There are two different Electronic Assemblies available for servicing this tool. It is important to identify which Electronic Assembly is in your tool because the Housing Assembly and Fwd./Rev. Shuttle are UNIQUE to each switch design. To identify at a glance, one assembly is built with a switch that has a silver rivet on the side of the switch body, the other switch has none (see page two).

Electronic Assembly No. 14-20-0092 can be identified by a silver rivet on the side of the switch body, order the following parts:

FIG.	PART NO.	DESCRIPTION OF PART	NO. REQ.
38	45-24-0130	Forward / Reverse Shuttle	1
70	14-20-0092	Electronics Assembly (Switch with rivet)	1
73	31-44-0869	Housing Assembly	1

Electronic Assembly No. 14-20-0096 can be identified by the absence of a silver rivet on the side of switch body, order the following parts:

FIG.	PART NO.	DESCRIPTION OF PART	NO. REQ.
38	45-24-0022	Forward / Reverse Shuttle	1
70	14-20-0096	Electronics Assembly (Switch without rivet)	1
73	31-44-0879	Housing Assembly	1

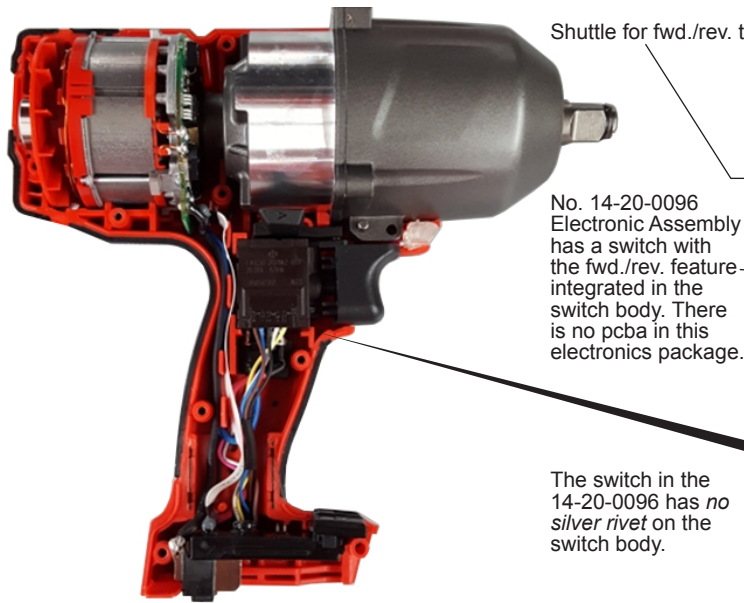
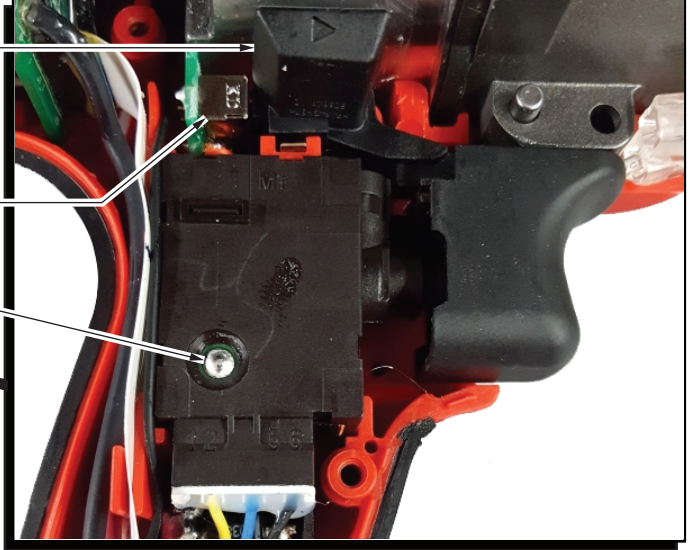


Shuttle for fwd./rev. toggle switch

Electronics package has toggle switch mounted on pcba

Silver rivet

Electronic Assy. No. 14-20-0092 with riveted switch

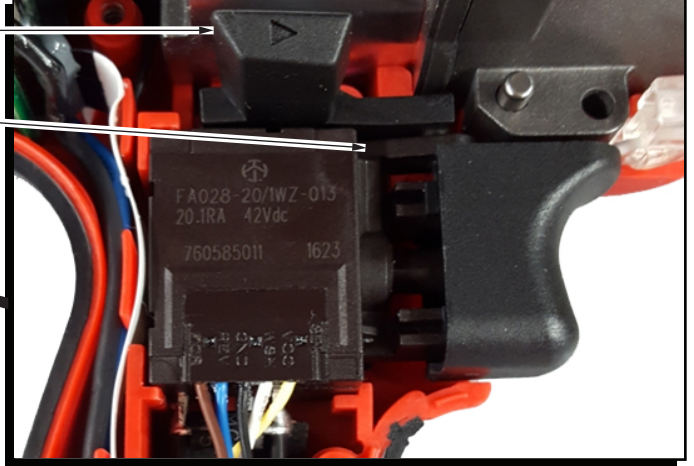


Shuttle for fwd./rev. toggle

No. 14-20-0096 Electronic Assembly has a switch with the fwd./rev. feature integrated in the switch body. There is no pcba in this electronics package.

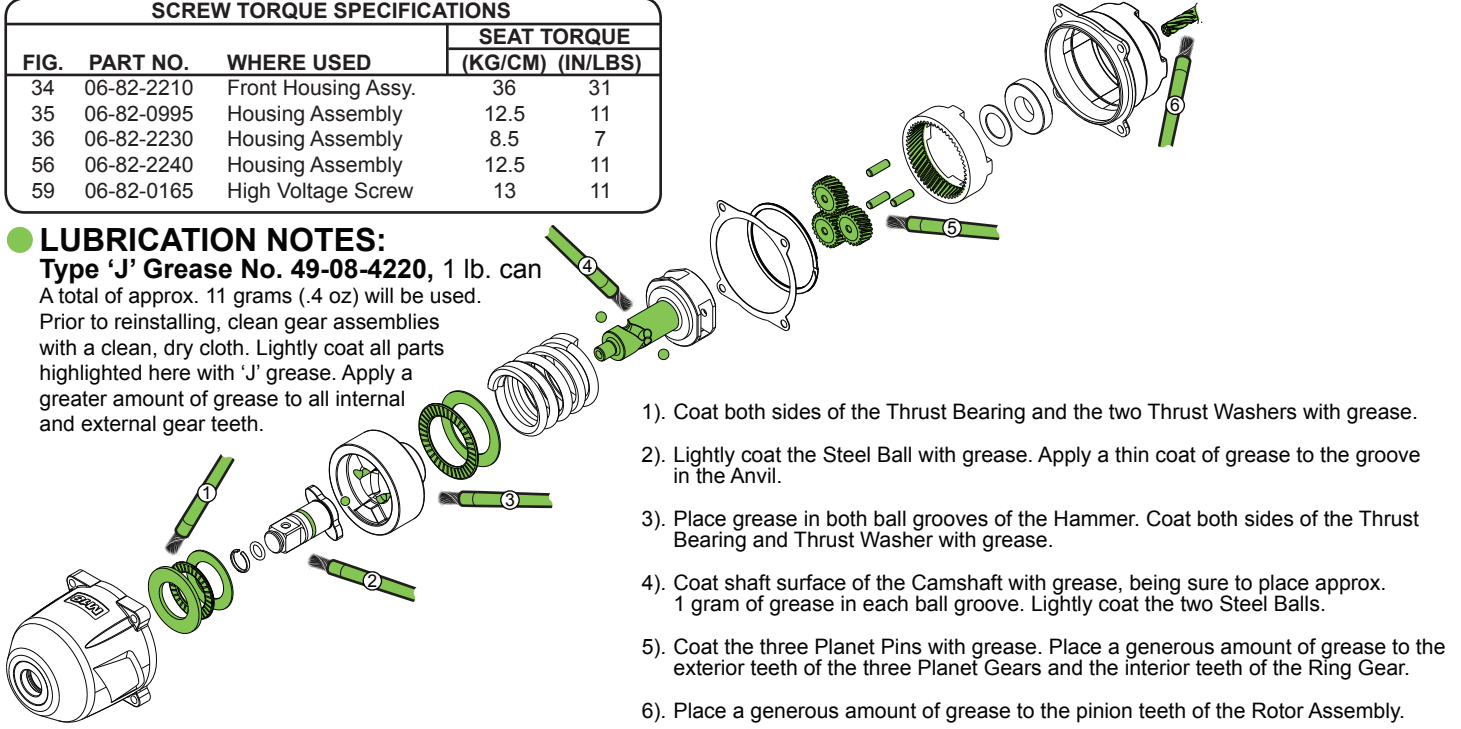
The switch in the 14-20-0096 has no silver rivet on the switch body.

Electronic Assy. No. 14-20-0096 w/o rivet on switch



SCREW TORQUE SPECIFICATIONS			SEAT TORQUE	
FIG.	PART NO.	WHERE USED	(KG/CM)	(IN/LBS)
34	06-82-2210	Front Housing Assy.	36	31
35	06-82-0995	Housing Assembly	12.5	11
36	06-82-2230	Housing Assembly	8.5	7
56	06-82-2240	Housing Assembly	12.5	11
59	06-82-0165	High Voltage Screw	13	11

LUBRICATION NOTES:
Type 'J' Grease No. 49-08-4220, 1 lb. can
 A total of approx. 11 grams (.4 oz) will be used.
 Prior to reinstalling, clean gear assemblies with a clean, dry cloth. Lightly coat all parts highlighted here with 'J' grease. Apply a greater amount of grease to all internal and external gear teeth.



- 1). Coat both sides of the Thrust Bearing and the two Thrust Washers with grease.
- 2). Lightly coat the Steel Ball with grease. Apply a thin coat of grease to the groove in the Anvil.
- 3). Place grease in both ball grooves of the Hammer. Coat both sides of the Thrust Bearing and Thrust Washer with grease.
- 4). Coat shaft surface of the Camshaft with grease, being sure to place approx. 1 gram of grease in each ball groove. Lightly coat the two Steel Balls.
- 5). Coat the three Planet Pins with grease. Place a generous amount of grease to the exterior teeth of the three Planet Gears and the interior teeth of the Ring Gear.
- 6). Place a generous amount of grease to the pinion teeth of the Rotor Assembly.