



# SERVICE PARTS LIST

**BULLETIN NO.**  
54-40-0600

SPECIFY CATALOG NO. AND SERIAL NO. WHEN ORDERING PARTS		REVISED BULLETIN	DATE
BAND SAW TABLE			Nov. '85
		WIRING INSTRUCTION	
CATALOG NO. 48-08-0260	STARTING SERIAL NO.		

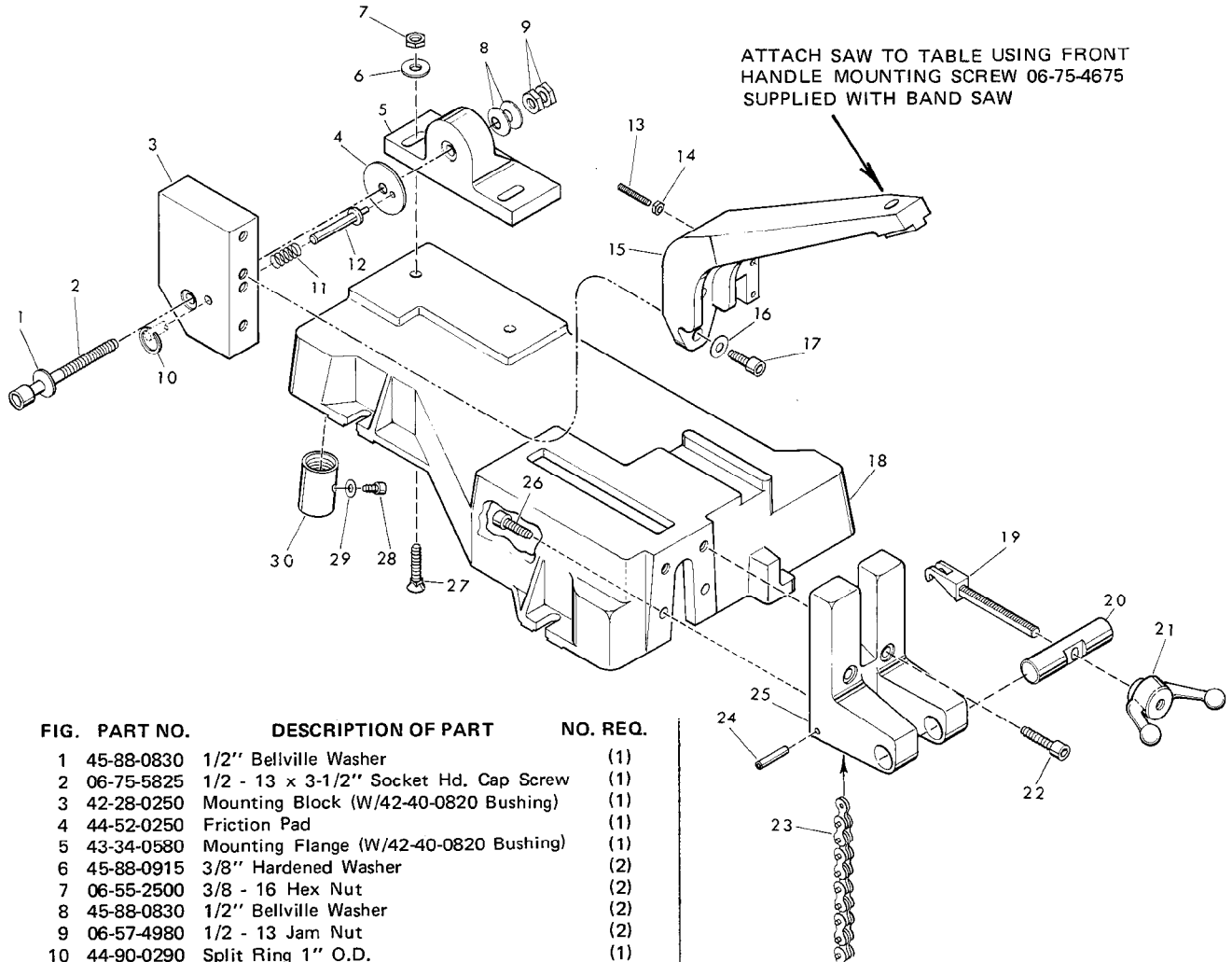


FIG.	PART NO.	DESCRIPTION OF PART	NO. REQ.
1	45-88-0830	1/2" Bellville Washer	(1)
2	06-75-5825	1/2 - 13 x 3-1/2" Socket Hd. Cap Screw	(1)
3	42-28-0250	Mounting Block (W/42-40-0820 Bushing)	(1)
4	44-52-0250	Friction Pad	(1)
5	43-34-0580	Mounting Flange (W/42-40-0820 Bushing)	(1)
6	45-88-0915	3/8" Hardened Washer	(2)
7	06-55-2500	3/8 - 16 Hex Nut	(2)
8	45-88-0830	1/2" Bellville Washer	(2)
9	06-57-4980	1/2 - 13 Jam Nut	(2)
10	44-90-0290	Split Ring 1" O.D.	(1)
11	40-50-2710	Lock Pin Spring	(1)
12	44-60-0840	Locking Pin	(1)
13	06-83-2690	1/4 - 20 x 1-3/4" Socket Hd. Set Screw	(2)
14	06-55-1500	1/4 - 20 Hex Nut	(2)
15	28-10-0325	Band Saw Mounting Bracket	(1)
16	45-88-0915	3/8" Hardened Washer	(2)
17	06-75-4675	3/8 - 16 x 1" Socket Hd. Cap Screw	(2)
18	42-20-0620	Base	(1)
19	43-74-0110	Chain Hook	(1)
20	44-60-0850	Swivel Pin	(1)
21	44-40-0610	Crank Nut	(1)
22	06-75-4696	3/8 - 16 x 1-1/4" Socket Hd. Cap Screw	(2)
23	42-60-0130	Chain 5/8" Pitch x 21" Long	(1)
24	06-65-1585	3/16 x 1" Roll Pin	(1)
25	42-68-0540	Mounting Vise	(1)
26	06-75-4696	3/8 - 16 x 1-1/4" Socket Hd. Cap Screw	(2)
27	42-32-0250	3/8 - 16 x 1-1/2" Plow Bolt	(2)
28	06-75-3925	5/16 - 18 x 5/8" Socket Hd. Cap Screw	(4)
29	45-88-1020	5/16" Flat Washer	(4)
30	42-90-0180	3/4" N.P.T. Galv. Coupling	(4)
31	10-98-5220	Warning Label (Not Shown)	(1)
32	49-96-0120	5/16" Allen Wrench (Not Shown)	(1)