

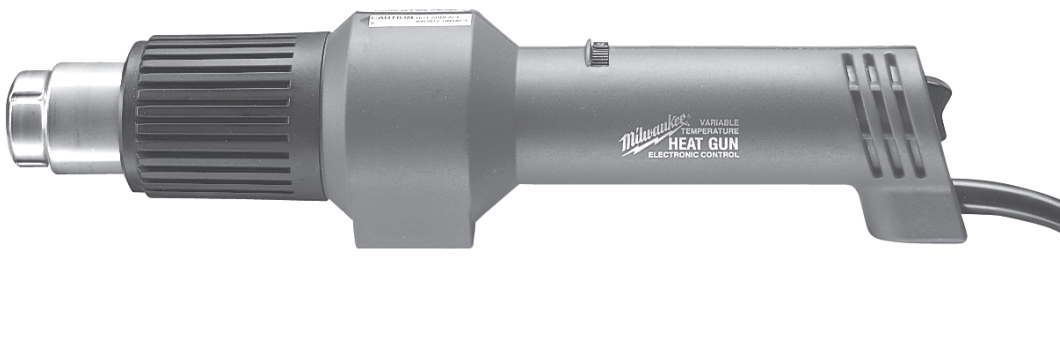


**OPERATOR'S MANUAL
MANUEL de L'UTILISATEUR
MANUAL del OPERADOR**



**Catalog No.
No de Cat.
Número de Catálogo**

8975	8986-20
8977	8988-20
8978	



**HEAVY-DUTY HEAT GUNS
EXTRA ROBUSTES PISTOLETS À DÉCAPER
PISTOLAS DE CALOR PARA SERVICIO PESADO**

TO REDUCE THE RISK OF INJURY, USER MUST READ AND UNDERSTAND OPERATOR'S MANUAL.

AFIN DE RÉDUIRE LE RISQUE DE BLESSURES, L'UTILISATEUR DOIT LIRE ET BIEN COMPRENDRE LE MANUEL DE L'UTILISATEUR.

PARA REDUCIR EL RIESGO DE LESIONES, EL USUARIO DEBE LEER Y ENTENDER EL MANUAL DEL OPERADOR.

GENERAL SAFETY RULES



WARNING!

READ AND UNDERSTAND ALL INSTRUCTIONS.


Failure to follow all instructions listed below, may result in electric shock, fire and/or serious personal injury.

SAVE THESE INSTRUCTIONS.

WORK AREA

1. **Keep your work area clean and well lit.** Cluttered benches and dark areas invite accidents.
2. **Do not operate power tools in explosive atmospheres, such as in the presence of flammable liquids, gases, or dust.** Power tools create sparks which may ignite the dust or fumes.
3. **Keep bystanders, children, and visitors away while operating a power tool.** Distractions can cause you to lose control. Protect others in the work area from debris such as chips and sparks. Provide barriers or shields as needed.

ELECTRICAL SAFETY

4. **Grounded tools must be plugged into an outlet properly installed and grounded in accordance with all codes and ordinances. Never remove the grounding prong or modify the plug in any way. Do not use any adaptor plugs. Check with a qualified electrician if you are in doubt as to whether the outlet is properly grounded.** If the tools should electrically malfunction or break down, grounding provides a low resistance path to carry electricity away from the user.
5. **Double Insulated tools are equipped with a polarized plug (one blade is wider than the other). This plug will fit in a polarized outlet only one way. If the plug does not fit fully in the outlet, reverse the plug. If it still does not fit, contact a qualified electrician to install a polarized outlet. Do not change the plug in any way.** Double insulation  eliminates the need for the three wire grounded power cord and grounded power supply system.
6. **Avoid body contact with grounded surfaces such as pipes, radiators, ranges and refrigerators.** There is an increased risk of electric shock if your body is grounded.
7. **Do not expose power tools to rain or wet conditions.** Water entering a power tool will increase the risk of fire and electric shock.
8. **Do not abuse the cord. Never use the cord to carry the tools or pull the plug from an outlet. Keep cord away from heat, oil, sharp edges or moving parts. Replace damaged cords immediately.** Damaged cords increase the risk of electric shock.
9. **When operating a power tool outside, use an outdoor extension cord marked "W-A" or "W".** These cords are rated for outdoor use and reduce the risk of electric shock.

PERSONAL SAFETY

10. **Stay alert, watch what you are doing, and use common sense when operating a power tool. Do not use tool while tired or under the influence of drugs, alcohol, or medication.** A moment of inattention while operating power tools may result in serious personal injury.
11. **Dress properly. Do not wear loose clothing or jewelry. Contain long hair. Keep your hair, clothing, and gloves away from moving parts.** Loose clothes, jewelry, or long hair can be caught in moving parts.

12. **Avoid accidental starting. Be sure switch is off before plugging in.** Carrying tools with your finger on the switch or plugging in tools with the switch on invites accidents.
13. **Remove adjusting keys or wrenches before turning on the tool.** A wrench or a key that is left attached to a rotating part of the tool may result in personal injury.
14. **Do not overreach. Keep proper footing and balance at all times.** Proper footing and balance enables better control of the tool in unexpected situations.
15. **Use safety equipment. Always wear eye protection.** Dust mask, non-skid safety shoes, hard hat, or hearing protection must be used for appropriate conditions.

TOOL USE AND CARE

16. **Use clamps or other practical way to secure and support the workpiece to a stable platform.** Holding the work by hand or against your body is unstable and may lead to loss of control.
17. **Do not force tool. Use the correct tool for your application.** The correct tool will do the job better and safer at the rate for which it is designed.
18. **Do not use tool if switch does not turn it on or off.** Any tool that cannot be controlled with the switch is dangerous and must be repaired.
19. **Disconnect the plug from the power source before making any adjustments, changing accessories, or storing the tool.** Such preventive safety measures reduce the risk of starting the tool accidentally.
20. **Store idle tools out of reach of children and other untrained persons.** Tools are dangerous in the hands of untrained users.
21. **Maintain tools with care. Keep cutting tools sharp and clean.** Properly maintained tools with sharp cutting edge are less likely to bind and are easier to control. Do not use a damaged tool. Tag damaged tools "Do not use" until repaired.
22. **Check for misalignment or binding of moving parts, breakage of parts, and any other condition that may affect the tool's operation. If damaged, have the tool serviced before using.** Many accidents are caused by poorly maintained tools.
23. **Use only accessories that are recommended by the manufacturer for your model.** Accessories that may be suitable for one tool, may become hazardous when used on another tool.

SERVICE

24. **Tool service must be performed only by qualified repair personnel.** Service or maintenance performed by unqualified personnel could result in a risk of injury.
25. **When servicing a tool, use only identical replacement parts. Follow instructions in the Maintenance section of this manual.** Use of unauthorized parts or failure to follow Maintenance Instructions may create a risk of electric shock or injury.

SPECIFIC SAFETY INSTRUCTIONS — HEAT GUNS

1. **Do not direct the heat gun air airflow at clothing, hair or other body parts. Do not use as a hair dryer.** Heat guns can produce 1000°F (540°C) or more of flameless heat at the nozzle. Contact with the air stream could result in personal injury.
2. **Know your work environment.** Hidden areas such as behind walls, ceilings, floors, soffit boards and other panels may contain flammable materials that may ignite when using the heat gun in these locations. Ignition of these materials may not be readily apparent and could result in property damage and personal injury. Check these areas before applying heat. If in doubt, use an alternate method. Pausing or lingering in one spot may ignite the panel or the material behind it. Keep heat gun moving to avoid excessive temperatures.
3. **Do not use near flammable liquids or in explosive atmospheres, such as in the presence of fumes, gases or dust.** The flameless heat from the heat gun may ignite the dust or fumes. Remove materials or debris that may become ignited from work area.
4. **Shield materials around the heated area** to prevent property damage or fire.
5. **Keep a fire extinguisher nearby.** Heat guns may ignite flammable materials left in the work area.
6. **WARNING! Hot Surfaces. Always hold the heat gun by the plastic enclosure. Do not touch nozzle, accessory tips or store heat gun until the nozzle has cooled to room temperature.** The metal nozzle requires approximately 20 minutes to cool before it can be touched. Contact with the nozzle or accessory tip could result in personal injury. Place the heat gun in a clear area away from combustible materials while cooling to prevent flammable materials from igniting.
7. **Do not cut off airflow by placing nozzle too close to workpiece.** Keep intake vents clean and clear of obstructions. Restricting airflow may cause the heat gun to overheat.
8. **Place the heat gun on a stable, level surface when not hand held. Use the support pads or support stand.** Place cord in a position that won't cause the heat gun to tip over.
9. **Do not leave the heat gun unattended while running or cooling down.** Inattention invites accidents.
10. **Store indoors in a dry location.** Do not expose to rain or moisture.
11. **Do not direct airflow directly on glass.** The glass may crack and could result in property damage or personal injury.
12. **Maintain labels and nameplates.** These carry important information. If unreadable or missing, contact a *MILWAUKEE* Service facility for a free replacement.
13. **WARNING!** Some dust created by power sanding, sawing, grinding, drilling, and other construction activities contains chemicals known to cause cancer, birth defects or other reproductive harm. Some examples of these chemicals are:
 - lead from lead-based paint
 - crystalline silica from bricks and cement and other masonry products, and
 - arsenic and chromium from chemically-treated lumber.

Your risk from these exposures varies, depending on how often you do this type of work. To reduce your exposure to these chemicals: work in a well ventilated area, and work with approved safety equipment, such as those dust masks that are specially designed to filter out microscopic particles.

SAFETY INSTRUCTIONS FOR REMOVING PAINT



WARNING!

Use extreme care when stripping paint. Peelings, residue and vapors of paint may contain lead, which is **POISONOUS**. **Pre-1977 paint may contain lead and paint made before 1950 is likely to contain lead. Hand to mouth contact with paint peelings or residue from pre-1977 paint may result in lead ingestion. Exposure to even low levels of lead can cause irreversible brain and nervous system damage. Young and unborn children are especially vulnerable to lead poisoning. DO NOT REMOVE LEAD-BASED PAINT WITH A HEAT GUN. Before beginning your work, determine whether the paint you are removing contains lead. A local health department or a professional who uses a paint analyzer can check the paint for lead content. LEAD-BASED PAINT SHOULD BE REMOVED ONLY BY A PROFESSIONAL.**

1. **Work in a well ventilated area.** If possible, move the workpiece outdoors. If working indoors, open windows and place an exhaust fan in a window. Be sure the fan is moving air from inside to outside. Proper ventilation will reduce the risk of inhaling chemicals found in the fumes or dust created by using a heat gun.
2. **Remove or cover any carpets, rugs, furniture, clothing, cooking utensils and air ducts** to prevent property damage from the paint peelings.
3. **Use caution when operating the heat gun.** Keep the heat gun moving to prevent excessive temperatures. Excessive heat can cause paint and other materials to burn and cause fumes, which may be inhaled by the operator.
4. **Keep work environment clean.** Keep food and drink away from work area. Wash hands, arms and face and rinse mouth before eating and drinking. Do not smoke, or chew gum or tobacco in the work area. Paint scrapings and dust created from removing paint may contain chemicals that are hazardous.
5. **Place drop cloths in the work area to catch paint scrapings. Wear protective clothing** such as hats, extra work shirts and overalls. Paint scrapings may contain chemicals that are hazardous.
6. **Work in one room at a time.** Remove furnishings or cover them and place in the center of the room. Seal doorways with drop cloths to seal work area from the rest of the building.
7. **Children, pregnant or potentially pregnant women, and nursing mothers should not be near work area** until all work is completed and work area is cleaned thoroughly.
8. **Wear a dust respirator mask or a dual filter (dust and fume) respirator mask** which has been approved by the Occupational Safety and Health Administration (OSHA), the National Institute of Safety and Health (NIOSH), or the United States Bureau of Mines. These masks and replaceable filters are readily available at major hardware stores. Be sure the mask fits. Beards and facial hair may keep masks from sealing properly. Change filters often. **DISPOSABLE PAPER MASKS ARE NOT ADEQUATE.**
9. **Clean up all paint scraping and dust. DO NOT SWEEP, DRY DUST OR VACUUM.** Wet mop floors. Use a wet cloth to clean all walls, sills and other surfaces where paint and dust have accumulated. Use a high phosphate detergent, trisodium phosphate (TSP), or a trisodium phosphate substitute to clean and mop the work area.
10. **Dispose of paint scrapings properly.** Following each work session, place paint scrapings in a double plastic bag, close it with tape or twist ties and dispose.
11. **Remove protective clothing and work shoes in the work area to avoid transferring dust to other parts of the building.** Wash work clothes separately. Wipe shoes off with a wet rag that is then washed with the work clothes. Wash hair and body thoroughly with soap and water.

GROUNDING



Improperly connecting the grounding wire can result in the risk of electric shock. Check with a qualified electrician if you are in doubt as to whether the outlet is properly grounded. Do not modify the plug provided with the tool. Never remove the grounding prong from the plug. Do not use the tool if the cord or plug is damaged. If damaged, have it repaired by a MILWAUKEE service facility before use. If the plug will not fit the outlet, have a proper outlet installed by a qualified electrician.

Grounded Tools: Tools with Three Prong Plugs

Tools marked "Grounding Required" have a three wire cord and three prong grounding plug. The plug must be connected to a properly grounded outlet (See Figure A). If the tool should electrically malfunction or break down, grounding provides a low resistance path to carry electricity away from the user, reducing the risk of electric shock.

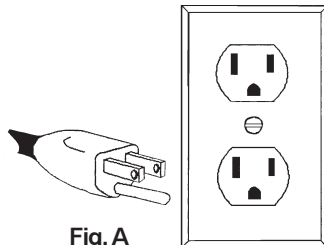


Fig. A

The grounding prong in the plug is connected through the green wire inside the cord to the grounding system in the tool. The green wire in the cord must be the only wire connected to the tool's grounding system and must never be attached to an electrically "live" terminal.

Your tool must be plugged into an appropriate outlet, properly installed and grounded in accordance with all codes and ordinances. The plug and outlet should look like those in Figure A.

Double Insulated Tools: Tools with Two Prong Plugs

Tools marked "Double Insulated" do not require grounding. They have a special double insulation system which satisfies OSHA requirements and complies with the applicable standards of Underwriters Laboratories, Inc., the Canadian Standard Association and the National Electrical Code. Double Insulated tools may be used in either of the 120 volt outlets shown in Figures B and C.

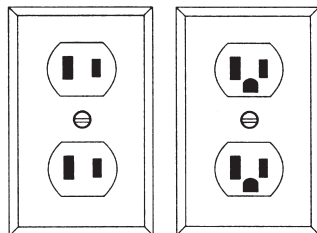


Fig. B

Fig. C

Specifications

Cat. No.	Volts AC	Max. Amps	Max. Watts	Temperature	Airflow CFM*
8975	120	11.6	1400	570° F / 1000° F (300°C / 540°C)	14.8
8977	120	11.6	1400	140° F / 1040° F (60°C / 560°C)	14.8
8978	120	12.5	1500	200° F / 1100° F (93°C / 593°C)	14.8
8986-20	120	12.5	1500	90° F / 1100° F (32°C - 593°C)	7-16
8988-20	120	12.5	1500	90° F / 1100° F (32°C - 593°C)	7-16

* Cubic feet per minute

EXTENSION CORDS

Grounded tools require a three wire extension cord. Double insulated tools can use either a two or three wire extension cord. As the distance from the supply outlet increases, you must use a heavier gauge extension cord. Using extension cords with inadequately sized wire causes a serious drop in voltage, resulting in loss of power and possible tool damage. Refer to the table shown to determine the required minimum wire size.

The smaller the gauge number of the wire, the greater the capacity of the cord. For example, a 14 gauge cord can carry a higher current than a 16 gauge cord. When using more than one extension cord to make up the total length, be sure each cord contains at least the minimum wire size required. If you are using one extension cord for more than one tool, add the nameplate amperes and use the sum to determine the required minimum wire size.

Guidelines for Using Extension Cords

- If you are using an extension cord outdoors, be sure it is marked with the suffix "W-A" ("W" in Canada) to indicate that it is acceptable for outdoor use.
- Be sure your extension cord is properly wired and in good electrical condition. Always replace a damaged extension cord or have it repaired by a qualified person before using it.
- Protect your extension cords from sharp objects, excessive heat and damp or wet areas.

Recommended Minimum Wire Gauge for Extension Cords*

Nameplate Amperes	Extension Cord Length					
	25'	50'	75'	100'	150'	200'
0 - 5	16	16	16	14	12	12
5.1 - 8	16	16	14	12	10	--
8.1 - 12	14	14	12	10	--	--
12.1 - 15	12	12	10	10	--	--
15.1 - 20	10	10	10	--	--	--

* Based on limiting the line voltage drop to five volts at 150% of the rated amperes.

**READ AND SAVE ALL INSTRUCTIONS
FOR FUTURE USE.**

Symbology

	Double insulated
	Volts alternating current
	Amps
	Watts
	Canadian Standards Association
	Underwriters Laboratories, Inc.
	Underwriters Laboratories, Inc. (UL Listed to U.S. and Canadian safety standards)

FUNCTIONAL DESCRIPTION

Cat. Nos. 8975 and 8977

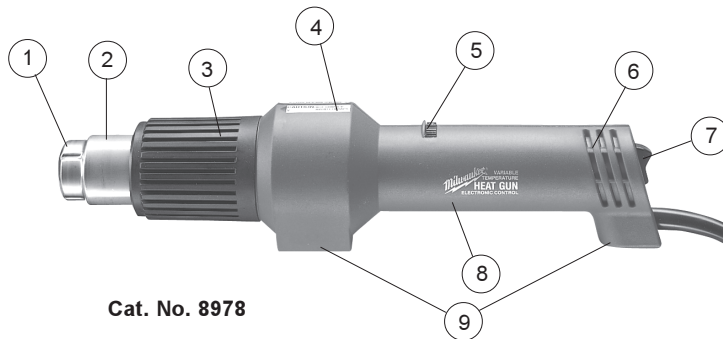
1. Accessory attachment area
2. Nozzle
3. Front cover
4. Nameplate
5. Intake vents
6. End cap temperature control (Cat. No. 8977 only)
7. Handle
8. Support stand
9. On/off switch (On/off- high/low on 8975)



Cat. No. 8977

Cat. No. 8978

1. Accessory attachment area
2. Nozzle
3. Front cover
4. Nameplate
5. Heat adjustment knob
6. Intake vents
7. On/off switch
8. Handle
9. Support base



Cat. No. 8978

Cat. Nos. 8986-20 and 8988-20

1. Accessory attachment area
2. Nozzle
3. Front cover
4. Temperature display (Cat. No. 8988-20 only)
5. Support base
6. Temperature control switch
7. Handle
8. Airflow control switch / On/off switch
9. Intake vents



Cat. No. 8988-20

TOOL ASSEMBLY



WARNING!

To reduce the risk of injury, always unplug tool before attaching or removing accessories or making adjustments. Use only specifically recommended accessories. Others may be hazardous.

Installing Reduction Nozzles

Reduction nozzles are used to intensify the application of heat in a specific area.

For reduction nozzle Cat. No. 49-80-0297:

1. To install the reduction nozzle to the heat gun, slide the nozzle onto the heat gun nose.
2. Adjust heat, distance and length of application as necessary.

For reduction nozzles Cat. No. 49-80-0305, 49-80-0306 (For use with electronic controlled heat guns 8978, 8986-20 and 8988-20 only):

1. To install the reduction nozzle to the heat gun, align the grooves on the nozzle with the grooves on the heat gun nose.
2. Slide the nozzle onto the nose.
3. Adjust heat, distance and length of application as necessary.

Installing Slit and Cutting Nozzles

The slit nozzle Cat. No. 49-80-0308 is used for lap welding. The cutting nozzle Cat. No. 49-80-0309 is used as a heated cutting edge.

NOTE: The reduction nozzle Cat. No. 49-80-0305 is needed as an attachment for the slit and cutting nozzles. (For use with electronic controlled heat guns 8978, 8986-20 and 8988-20 only):

1. To install the reduction nozzle to the heat gun, align the grooves on the nozzle with the grooves on the heat gun nose and slide the nozzle onto the nose.
2. Slide the slit or cutting nozzle onto the reduction nozzle.
3. Adjust heat, distance and length of application as necessary.



WARNING!

To reduce the risk of injury, do not remove accessory tips until tool has cooled to room temperature.

Installing Air Directing Nozzles

Air directing nozzles are used to change the direction of the airflow.

For hook nozzle Cat. No. 49-80-0292, deflector Cat. No. 49-80-0293, air spreader Cat. No. 49-80-0294, soldering reflector nozzle Cat. No. 49-80-0307:

1. To install an air directing nozzle to the heat gun, slide the nozzle onto the heat gun nose.
2. Adjust heat, distance and length of application as necessary.

For air reflector Cat. No. 49-80-0307 (For use with electronic controlled heat guns 8978, 8986-20 and 8988-20 only):

1. To install the air reflector nozzle to the heat gun, align the grooves on the nozzle with the grooves on the heat gun nose.
2. Slide the nozzle onto the nose.
3. Adjust heat, distance and length of application as necessary.

OPERATION



WARNING!

To reduce the risk of injury, wear safety goggles or glasses with side shields.

Using the Temperature Control Switch (Fig. 1-4)

Cat. No. 8975 (Fig. 1)

Dual temperature control heat guns are provided with a 3 position rocker switch. Place the switch in the center position for "Low" range or press in the lower position of the switch completely for "High" range. The markings on the switch correspond to these positions:

Fig. 1

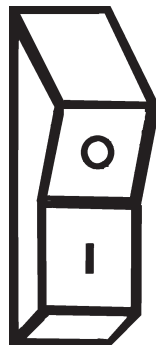


- O = Off
- I = Low Temperature
570° F (300° C)
- II = High Temperature
1000° F (540° C)

Cat. No. 8977 (Fig. 2)

Variable temperature model heat guns are marked "O" for OFF and "I" for ON. Temperature is controlled by turning the end cap in the directions dictated by the arrows.

Fig. 2

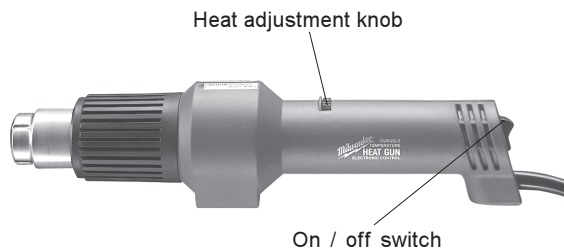


- O = Off
- I = On

Cat. No. 8978 (Fig. 3)

Electronic temperature control system heat guns allow the tool to produce a greater concentration of heat at the nozzle, allowing the use of various accessory nozzles.

Fig. 3

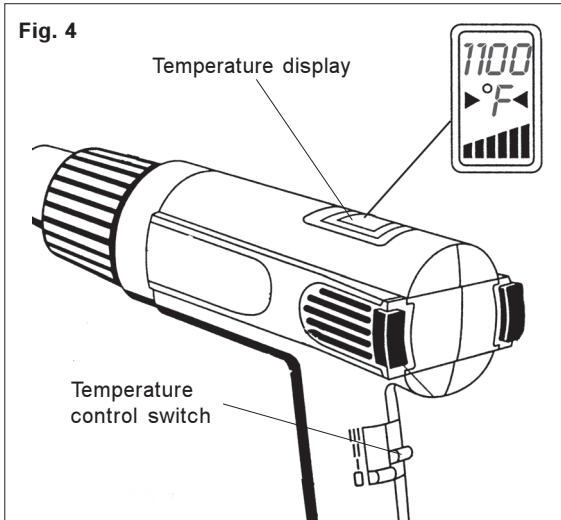


The electronic control system regulates the temperature within the tool's heating element. Unlike non-electronic heat guns, MILWAUKEE's electronic heat gun will maintain the same temperature even when the air flow is decreased or restricted with the use of accessory nozzles.

Cat. No. 8978 is a variable temperature heat gun with a range between 200° F and 1100° F (93° C to 593° C). The heat adjustment knob is a dial with numbers 1 through 6 on it as shown. The lower numbers correspond to cooler temperatures and higher numbers correspond to warmer temperatures. To adjust temperature, simply turn the dial to the left or the right.

Cat. No. 8986-20 and 8988-20 (Fig. 4)

These heat guns have a variable temperature control switch, which allows the user to adjust the temperature for specific applications.



The electronic temperature control system regulates the temperature within the tool's heating element. Unlike non-electronic heat guns, MILWAUKEE's electronic heat gun will maintain the same temperature even when the air flow is decreased or restricted with the use of accessory nozzles. Refer to the airflow/temperature chart for various airflow and temperature settings.

On Cat. No. 8988-20, a temperature display shows the heat gun temperature setting.

1. Slide the airflow control switch (blue switch) to Position II or III to operate the temperature control switch.
2. To adjust the temperature, slide the temperature control switch (red switch) to the desired position.

When the temperature control switch is set to the desired position on the 8988-20, the temperature for that position will show on the temperature display. After 3 seconds, the temperature display will show the heat gun's actual temperature. The temperature display will continue to show the actual temperature as the heat gun adjusts to the desired temperature set by the temperature control switch position.

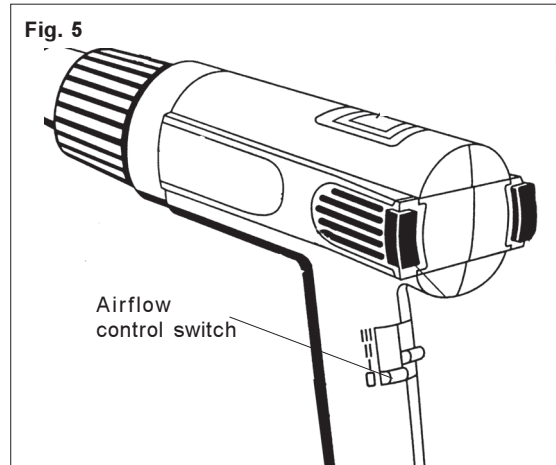
Airflow/Temperature Settings (8986-20 & 8988-20)

Airflow Control Switch Setting	Airflow Fan Speed	Minimum Temperature Setting	Maximum Temperature Setting	Air Flow at Maximum Temperature Setting
Position I	High	90°F	90°F	7 CFM*
Position II	Low	90°F	1100°F	8.8 CFM
Position III	High	90°F	1100°F	16 CFM

* Cubic feet per minute

**Using the Airflow Control Switch (Fig. 5)
(Cat. No. 8986-20 & 8988-20)**

Cat. No. 8986-20 & 8988-20 have three airflow settings: high without heat, low with heat and high with heat. Refer to the airflow/temperature chart for various airflow and temperature settings.



1. For high airflow without heat, slide the airflow control switch (blue switch) to Position I.
NOTE: The temperature control switch (red switch) will not operate in this position.
2. For low airflow with heat, slide the airflow control switch (blue switch) to Position II. The temperature may be adjusted from 90°F to 1100°F using the temperature control switch (red switch). The airflow will automatically increase as the temperature increases.
3. For high airflow with heat, slide the airflow control switch (blue switch) to Position III. The temperature may be adjusted from 90°F to 1100°F using the temperature control switch (red switch). The airflow will automatically increase as the temperature increases.
4. To turn the heat gun off, slide the airflow control switch (blue switch) to Position 0.

Selecting Temperature

The proper amount of heat for each application depends on the temperature range selected, distance between the nozzle and workpiece, and the length of time heat is applied. Experiment with scrap materials and start with lowest temperature range. Be cautious when working until the proper combination of heat, distance and time of application has been obtained. Use a back and forth motion when applying heat unless concentrated heat is desirable.

Support Stand (Cat. Nos. 8975 and 8977)

Cat. Nos. 8975 and 8977 have a support stand, which allows you to position the heat gun upright on a workbench, leaving both hands free for your application. When using Cat. Nos. 8975 and 8977 on a workbench, always place tool on a flat surface and snap the support stand into the notched position. Place the cord so the heat gun won't tip. The rear vent openings are designed to allow air flow even when the tool is resting on the end cap, but it is important not to cover the vents with foreign materials such as clothing or rags. Cat. No. 8978 has a flat bottom surface that acts as a support stand. Rest the tool on the flat surface, making sure to place the cord so the heat gun won't tip.

APPLICATIONS



WARNING!

To reduce the risk of heat damage and personal injury, shield combustible materials and areas adjacent to workpiece. Protect yourself from hot paint scrapings and dust.

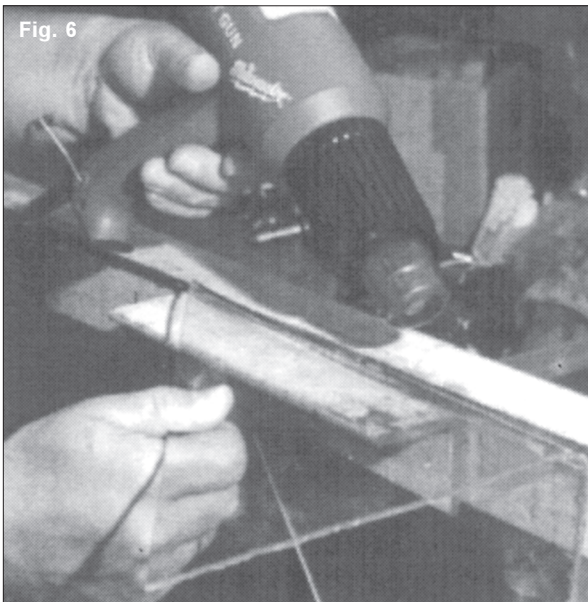
Removing Paint

Read safety instructions for removing paint before proceeding with paint removal.

1. Begin work with low temperature setting.
2. Place nozzle approximately 1" away from work surface.
3. Pass nozzle back and forth over a small area of workpiece.
4. Gradually increase heat until paint starts to blister, then remove heat.
5. Remove paint using a sharp-edged putty knife.

Creating Bends (Fig. 6)

Both variable temperature and dual temperature heat guns are ideal for creating bends in plexiglass that is used for guards and fixtures.



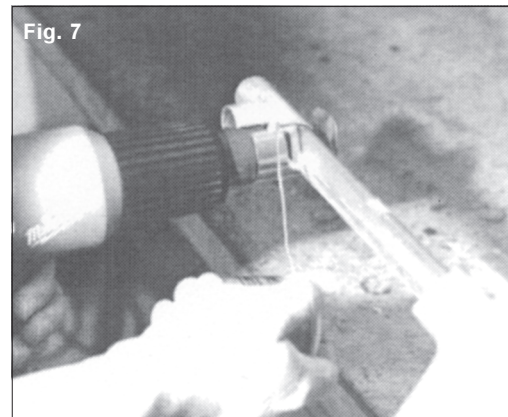
1. To form a bend, use either a low or high temperature setting. When using a low temperature, hold the heat gun close to the workpiece and pass the nozzle back and forth slowly. When using a high temperature, hold the heat gun further away from the workpiece and pass the nozzle back and forth rapidly.
2. Pass the nozzle over entire length of the surface to be bent. Applying heat to only part of the surface will make bending uneven.

Cutting Styrofoam

1. To attach the styrofoam cutting nozzle, first attach reduction nozzle Cat. No. 49-80-0305 to the heat gun (See "Installing Reduction Nozzles"). Attach the styrofoam nozzle to the reduction nozzle.
2. To cut styrofoam, use a low to medium temperature setting and apply heat to workpiece in desired pattern. The nozzle will make straight or curved cuts and will cut holes or recesses.

NOTE: Slight smoke and odors are normal and are not harmful as long as you are working with adequate ventilation. Cut at maximum speed to avoid excess smoke development and prevent the nozzle from overheating. Read the safety instructions supplied with the material you are cutting.

Soldering (Fig. 7)



1. Attach the soldering reflector nozzle or hook nozzle to the heat gun.
2. Deburr the pipe and joint using sandpaper or steel wool.
3. To solder with either lead or non-lead solder, coat the tip on both the copper pipe and the joint with flux. Then slip the joint over the pipe.
4. Slip the accessory nozzle around the joint. With the heat gun at a high temperature setting, apply heat to the joint.
5. When the flux bubbles, add solder and position heat gun so excess solder does not drip into the heat gun.

Heat Shrinking (Fig. 8)

1. Attach the soldering reflector nozzle or hook nozzle to the heat gun.
2. To heat shrink tubing, use a low temperature setting. Apply heat to the workpiece using a side to side motion until tubing has shrunk. Remove heat immediately.



MAINTENANCE



WARNING!

To reduce the risk of injury, always unplug your tool before performing any maintenance. Never disassemble the tool or try to do any rewiring on the tool's electrical system. Contact a **MILWAUKEE** service facility for ALL repairs.

Maintaining Tools

Keep your tool in good repair by adopting a regular maintenance program. Before use, examine the general condition of your tool. Inspect guards, switches, tool cord set and extension cord for damage. Check for loose screws, misalignment, binding of moving parts, improper mounting, broken parts and any other condition that may affect its safe operation. If abnormal noise or vibration occurs, turn the tool off immediately and have the problem corrected before further use. Do not use a damaged tool. Tag damaged tools "DO NOT USE" until repaired (see "Repairs").



WARNING!

To reduce the risk of injury, electric shock and damage to the tool, never immerse your tool in liquid or allow a liquid to flow inside the tool.

Cleaning

Clean dust and debris from vents. Keep the tool handles clean, dry and free of oil or grease. Use only mild soap and a damp cloth to clean your tool since certain cleaning agents and solvents are harmful to plastics and other insulated parts. Some of these include: gasoline, turpentine, lacquer thinner, paint thinner, chlorinated cleaning solvents, ammonia and household detergents containing ammonia. Never use flammable or combustible solvents around tools.

Repairs

If your tool is damaged, return the entire tool to the nearest service center.

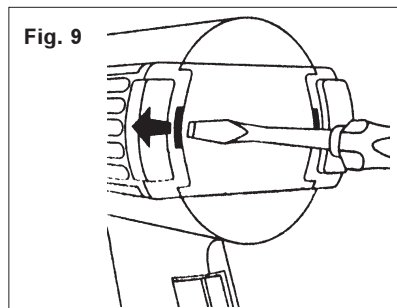
Cleaning Air Filters (Fig. 9) (Cat. No. 8986-20 and 8988-20 only)

The air filters on these heat guns may be removed for cleaning.

1. Unplug tool.
2. To remove the air filter, insert a flat screwdriver between the motor housing and air filter and loosen the air filter off of the back of the tool (Fig. 9).
3. Slide the air filter off the back of the tool.
4. Remove the support pad from the air filter using the screwdriver.
5. Clean any dust or debris off the air filter using warm water and a brush.

NOTE: Allow the air filter to dry before reinstalling.

6. To reinstall the air filter, slide the air filter onto the intake vent grooves from the back end of the tool. Allow the air filter to snap back into place.



FIVE YEAR TOOL LIMITED WARRANTY

Every **MILWAUKEE** tool is tested before leaving the factory and is warranted to be free from defects in material and workmanship. **MILWAUKEE** will repair or replace (at **MILWAUKEE**'s discretion), without charge, any tool (including battery chargers) which examination proves to be defective in material or workmanship from five (5) years after the date of purchase. Return the tool and a copy of the purchase receipt or other proof of purchase to a **MILWAUKEE** Factory Service/Sales Support Branch location or **MILWAUKEE** Authorized Service Station, freight prepaid and insured. This warranty does not cover damage from repairs made or attempted by other than **MILWAUKEE** authorized personnel, abuse, normal wear and tear, lack of maintenance, or accidents.

Battery Packs, Flashlights, and Radios are warranted for one (1) year from the date of purchase.

THE REPAIR AND REPLACEMENT REMEDIES DESCRIBED HEREIN ARE EXCLUSIVE. IN NO EVENT SHALL **MILWAUKEE** BE LIABLE FOR ANY INCIDENTAL, SPECIAL, OR CONSEQUENTIAL DAMAGES, INCLUDING LOSS OF PROFITS.

THIS WARRANTY IS EXCLUSIVE AND IN LIEU OF ALL OTHER WARRANTIES, OR CONDITIONS, WRITTEN OR ORAL, EXPRESSED OR IMPLIED FOR MERCHANTABILITY OR FITNESS FOR PARTICULAR USE OR PURPOSE.

This warranty gives you specific legal rights. You may also have other rights that vary from state to state and province to province. In those states that do not allow the exclusion of implied warranties or limitation of incidental or consequential damages, the above limitations or exclusions may not apply to you. This warranty applies to the United States, Canada, and Mexico only.

ACCESSORIES



WARNING!

To reduce the risk of injury, always unplug the tool before attaching or removing accessories. Use only specifically recommended accessories. Others may be hazardous.

For a complete listing of accessories refer to your *MILWAUKEE* Electric Tool catalog or go on-line to www.milwaukeeetool.com. To obtain a catalog, contact your local distributor or a service center.



Hook Nozzle Cat. No. 49-80-0292

The hook nozzle is used for surround bending, soldering pipe and applying heat to shrinkable tubing.



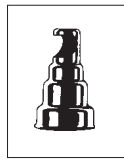
Reduction Nozzle Cat. No. 49-80-0297

Reduction nozzles intensify the application of heat in a specific area. This nozzle may be used for soldering.



Deflector Nozzle Cat. No. 49-80-0293

The deflector nozzle directs the airflow at a 90 degree angle from the heat gun nozzle. This helps to minimize thermal shock caused by rapid expansion of glass when softening putty or removing paint from windows.



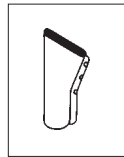
Soldering Reflector Nozzle Cat. No. 49-80-0307

The soldering reflector nozzle is ideal for soldering copper pipe joints and applying heat to shrinkable tubing.



Air Spreader Nozzle Cat. No. 49-80-0294

The air spreader nozzle reduces the airflow from a circular area to a wide narrow line. This nozzle is used for removing paint and softening and forming thermo-plastic sheets, vinyl floor tiles, linoleum and formica.



Slit Nozzle Cat. No. 49-80-0308

The slit nozzle reduces the airflow from a circular area to a narrow line. This nozzle is used for lap welding PVC canvas or sheeting.

NOTE: Must be used with reduction nozzle Cat. No. 49-80-0305.



Reduction Nozzle Cat. No. 49-80-0305

Reduction nozzles intensify the application of heat in a specific area. This nozzle is used for bending plexiglass, soldering and directing heat into corners.



Cutting Nozzle Cat. No. 49-80-0309

The cutting nozzle is used for cutting styrofoam up to 4" thick. Straight or curved cuts can be made.

NOTE: Must be used with reduction nozzle Cat. No. 49-80-0305.



Reduction Nozzle Cat. No. 49-80-0306

Reduction nozzles intensify the application of heat in a specific area. This nozzle is used in similar applications as reduction nozzle.

RÈGLES DE SÉCURITÉ GÉNÉRALES



AVERTISSEMENT!

VOUS DEVEZ LIRE ET COMPRENDRE TOUTES LES INSTRUCTIONS.


Le non-respect, même partiel, des instructions ci-après entraîne un risque de choc électrique, d'incendie et/ou de blessures graves.

CONSERVEZ CES INSTRUCTIONS.

AIRE DE TRAVAIL

1. **Veillez à ce que l'aire de travail soit propre et bien éclairée.** Le désordre et le manque de lumière favorisent les accidents.
2. **N'utilisez pas d'outils électriques dans une atmosphère explosive, par exemple en présence de liquides, de gaz ou de poussières inflammables.** Les outils électriques créent des étincelles qui pourraient enflammer les poussières ou les vapeurs.
3. **Tenez à distance les curieux, les enfants et les visiteurs pendant que vous travaillez avec un outil électrique.** Ils pourraient vous distraire et vous faire faire une fausse manoeuvre. Installez des barrières ou des écrans protecteurs si nécessaire.

SÉCURITÉ ÉLECTRIQUE

4. **Les outils mis à la terre doivent être branchés dans une prise de courant correctement installée et mise à la terre conformément à tous les codes et règlements pertinents. Ne modifiez jamais la fiche de quelque façon que ce soit, par exemple en enlevant la broche de mise à la terre. N'utilisez pas d'adaptateur de fiche. Si vous n'êtes pas certain que la prise de courant est correctement mise à la terre, adressez-vous à un électricien qualifié.** En cas de défaillance ou de défectuosité électrique de l'outil, une mise à la terre offre un trajet de faible résistance à l'électricité qui autrement risquerait de traverser l'utilisateur.
5. **Les outils à double isolation sont équipés d'une fiche polarisée (une des lames est plus large que l'autre), qui ne peut se brancher que d'une seule façon dans une prise polarisée. Si la fiche n'entre pas parfaitement dans la prise, inversez sa position ; si elle n'entre toujours pas bien, demandez à un électricien qualifié d'installer une prise de courant polarisée. Ne modifiez pas la fiche de l'outil.** La double isolation  élimine le besoin d'un cordon d'alimentation à trois fils avec mise à la terre ainsi que d'une prise de courant mise à la terre.
6. **Évitez tout contact corporel avec des surfaces mises à la terre (tuyauterie, radiateurs, cuisinières, réfrigérateurs, etc.).** Le risque de choc électrique est plus grand si votre corps est en contact avec la terre.
7. **N'exposez pas les outils électriques à la pluie ou à l'eau.** La présence d'eau dans un outil électrique augmente le risque de feu ou choc électrique.
8. **Ne maltraitez pas le cordon. Ne transportez pas l'outil par son cordon et ne débranchez pas la fiche en tirant sur le cordon. N'exposez pas le cordon à la chaleur, à des huiles, à des arêtes vives ou à des pièces en mouvement. Remplacez immédiatement un cordon endommagé.** Un cordon endommagé augmente le risque de choc électrique.
9. **Lorsque vous utilisez un outil électrique à l'extérieur, employez un prolongateur pour l'extérieur marqué « W-A » ou « W ».** Ces cordons sont faits pour être utilisés à l'extérieur et réduisent le risque de choc électrique.

SÉCURITÉ DES PERSONNES

10. **Restez alerte, concentrez-vous sur votre travail et faites preuve de jugement. N'utilisez pas un outil électrique si vous êtes fatigué ou sous l'influence de drogues, d'alcool ou de médicaments.** Un instant d'inattention suffit pour entraîner des blessures graves.
11. **Habillez-vous convenablement. Ne portez ni vêtements flottants ni bijoux. Confinez les cheveux longs. N'approchez jamais les cheveux, les vêtements ou les gants des pièces**

en mouvement. Des vêtements flottants, des bijoux ou des cheveux longs risquent d'être happés par des pièces en mouvement.

12. **Méfiez-vous d'un démarrage accidentel. Avant de brancher l'outil, assurez-vous que son interrupteur est sur ARRÊT.** Le fait de transporter un outil avec le doigt sur la détente ou de brancher un outil dont l'interrupteur est en position MARCHE peut mener tout droit à un accident.
13. **Enlevez les clés de réglage ou de serrage avant de démarrer l'outil.** Une clé laissée dans une pièce tournante de l'outil peut provoquer des blessures.
14. **Ne vous penchez pas trop en avant. Maintenez un bon appui et restez en équilibre en tout temps.** Une bonne stabilité vous permet de mieux réagir à une situation inattendue.
15. **Utilisez des accessoires de sécurité. Portez toujours des lunettes ou une visière.** Selon les conditions, portez aussi un masque antipoussière, des bottes de sécurité antidérapantes, un casque protecteur et/ou un appareil antibruit.

UTILISATION ET ENTRETIEN DES OUTILS

16. **Immobilisez le matériau sur une surface stable au moyen de brides ou de toute autre façon adéquate.** Le fait de tenir la pièce avec la main ou contre votre corps offre une stabilité insuffisante et peut amener un dérapage de l'outil.
17. **Ne forcez pas l'outil. Utilisez l'outil approprié à la tâche.** L'outil correct fonctionne mieux et de façon plus sécuritaire. Respectez aussi la vitesse de travail qui lui est propre.
18. **N'utilisez pas un outil si son interrupteur est bloqué.** Un outil que vous ne pouvez pas commander par son interrupteur est dangereux et doit être réparé.
19. **Débranchez la fiche de l'outil avant d'effectuer un réglage, de changer d'accessoire ou de ranger l'outil.** De telles mesures préventives de sécurité réduisent le risque de démarrage accidentel de l'outil.
20. **Rangez les outils hors de la portée des enfants et d'autres personnes inexpérimentées.** Les outils sont dangereux dans les mains d'utilisateurs novices.
21. **Prenez soin de bien entretenir les outils. Les outils de coupe doivent être toujours bien affûtés et propres.** Des outils bien entretenus, dont les arêtes sont bien tranchantes, sont moins susceptibles de coincer et plus faciles à diriger. N'utilisez pas un outil défectueux. Fixez-y une étiquette marquée « Hors d'usage » jusqu'à ce qu'il soit réparé.
22. **Soyez attentif à tout désalignement ou coincement des pièces en mouvement, à tout bris ou à toute autre condition préjudiciable au bon fonctionnement de l'outil. Si vous constatez qu'un outil est endommagé, faites-le réparer avant de vous en servir.** De nombreux accidents sont causés par des outils en mauvais état.
23. **N'utilisez que des accessoires que le fabricant recommande pour votre modèle d'outil.** Certains accessoires peuvent convenir à un outil, mais être dangereux avec un autre.

RÉPARATION

24. **La réparation des outils électriques doit être confiée à un réparateur qualifié.** L'entretien ou la réparation d'un outil électrique par un amateur peut avoir des conséquences graves.
25. **Pour la réparation d'un outil, n'employez que des pièces de rechange d'origine. Suivez les directives données à la section « Réparation » de ce manuel.** L'emploi de pièces non autorisées ou le non-respect des instructions d'entretien peut créer un risque de choc électrique ou de blessures.

MESURES DE SÉCURITÉ SPÉCIFIQUES AUX

1. **Ne dirigez pas le débit d'air du pistolet à décaper vers les vêtements ou des parties du corps et n'utilisez pas le pistolet comme séchoir à cheveux.** Les pistolets à décaper peuvent dégager 540°C (1000°F) et plus de chaleur sans flamme au bec et le contact du débit d'air chaud avec la peau pourrait causer des blessures graves.
2. **Inspectez votre aire de travail.** Les endroits invisibles derrière les murs, plafonds, planchers et soffites peuvent contenir des matières inflammables qui pourraient s'enflammer au contact du débit d'air chaud. L'ignition de telles matières peut être imprévisible et causer des pertes matérielles et des blessures corporelles. Inspectez minutieusement votre environnement avant d'appliquer le débit d'air chaud et en cas de doute, employez une méthode alternative. L'application prolongée du débit d'air chaud au même endroit peut mettre le feu au matériau et aux matières se trouvant derrière. Déplacez constamment le pistolet pour éviter la surchauffe.
3. **N'employez pas le pistolet à décaper près des liquides inflammables ou dans un environnement explosif (fumées, gaz ou poussières),** la chaleur dégagée par le pistolet à décaper pourrait enflammer la poussière ou les fumées. Débarrassez le lieu de travail des débris qui pourraient s'enflammer.
4. **Placez un écran protecteur autour de l'endroit à chauffer** afin de prévenir tout risque d'incendie ou de dommage à la propriété.
5. **Gardez un extincteur d'incendie à votre portée.** Le pistolet à décaper peut enflammer les matériaux dans l'aire de travail.
6. **AVERTISSEMENT!: Surface chaude.. Tenez toujours l'outil par son boîtier de plastique. Pour prévenir des blessures corporelles, évitez tout contact avec le bec de l'outil ou les accessoires et ne rangez pas l'outil avant qu'ils ne soit refroidi à la température ambiante.** Le bec métallique de l'outil prend environ 20 minutes à se refroidir au point que l'on puisse y toucher. Tant qu'il ne sera pas refroidi, placez l'outil dans un endroit éclairé à l'écart des matériaux inflammables.
7. **Ne bloquez pas la circulation d'air en approchant le bec de l'outil trop près de la surface à décaper.** Pour éviter la surchauffe de l'outil, gardez les événements d'admission d'air propres et exempts d'obstructions.
8. **Posez l'outil solidement appuyé sur une surface plane lorsque vous ne le tenez pas entre vos mains. Employez des tampons de soutien ou un appui** et placez le cordon électrique de façon à ce qu'il ne fasse pas basculer l'outil.
9. **N'abandonnez pas l'outil pendant qu'il est en marche ou qu'il se refroidit.** Le manque d'attention peut causer des accidents.
10. **L'outil à l'intérieur, dans un endroit sec.** N'éposez pas l'outil à la pluie ou à l'humidité.
11. **Ne dirigez pas le débit d'air chaud directement contre une vitre.** Le verre pourrait éclater et causer des dommages et blessures corporelles.
12. **Entretenez les étiquettes et marqies di fabricant.** Les indications qu'elles contiennent sont précieuses. Si elles deviennent illisibles ou se détachent, faites-les remplacer gratuitement à un centre de service **MILWAUKEE** accrédité.
13. **AVERTISSEMENT!** De la poussière dégagée par ponçage, sciage, meulage, perçage ou autres travaux de construction peut contenir des substances chimiques susceptibles de causer le cancer, des malformations congénitales ou d'autres troubles de reproduction. Voici quelques exemples de telles substances :

- Le plomb contenu dans la peinture à base de plomb.
- Le silice cristallin contenu dans la brique, le béton et la maçonnerie.
- L'arsenic et le chrome du bois traité.

Les risques d'exposition à ces substances varient selon la fréquence des travaux. Pour réduire l'exposition à ces substances chimiques, assurez la ventilation adéquate de l'endroit où vous travaillez et utilisez de l'équipement de protection tel un masque antipoussière spécifiquement conçu pour filtrer les particules microscopiques.

INSTRUCTIONS DE SÉCURITÉ POUR DÉCAPER LA



AVERTISSEMENT!

Soyez extrêmement prudent lorsque vous décapez de la peinture. Les écailles, les résidus et les vapeurs de peinture peuvent contenir du plomb. C'EST UN POISON. Les peintures fabriquées avant 1977 sont susceptibles d'en contenir et les peintures datant d'avant 1950 contiennent aussi du plomb. Le contact des mains ou de la bouche avec des écailles ou des résidus de peinture datant d'avant 1977 peut favoriser l'ingestion de plomb et l'exposition au plomb, même en faible quantité, peut causer des dommages irréversibles au cerveau et au système nerveux. Le bébé et l'enfant à naître sont des sujets particulièrement vulnérables à l'empoisonnement par le plomb. NE DÉCAPEZ PAS DE LA PEINTURE AU PLOMB AVEC UN PISTOLET À DÉCAPER. Avant de commencer le décapage, adressez-vous au Département de santé communautaire de votre quartier ou à un professionnel pour faire analyser la peinture et déterminer si elle contient du plomb. LES PEINTURES AU PLOMB DEVRAIENT ÊTRE DÉCAPÉES UNIQUEMENT PAR UN PROFESSIONNEL DU MÉTIER.

1. **Aérez bien le lieu du décapage.** Si possible, transportez l'objet à décaper à l'extérieur. Si vous devez le faire à l'intérieur, ouvrez les fenêtres et installez un ventilateur dans l'une d'elle. Assurez-vous que le ventilateur évacue l'air de la pièce, une bonne ventilation réduira les risques d'inhalation des substances chimiques contenues dans la poussière et les fumées occasionnées par le décapage à la chaleur.
2. **Enlevez ou couvrez les tapis, carpettes, meubles, vêtements, ustensiles de cuisine et conduites d'air** pour les protéger des écailles de peinture.
3. **Soyez prudent lorsque vous utilisez le pistolet à décaper.** Tenez le pistolet en mouvement pour éviter la surchauffe. Une température excessive peut brûler la peinture et le matériau qu'elle recouvre et dégager une vapeur nocive qui pourrait être inhalée.
4. **Gardez l'aire de travail propre.** Tenez la nourriture et les boissons à l'écart du lieu de travail. Lavez-vous les mains, les bras et la figure et rincez-vous la bouche avant de manger ou de boire. Ne fumez pas et ne mâchez pas de gomme ou de tabac dans l'aire de travail. Les écailles de peinture et la poussière émanant du décapage peuvent contenir des substances chimiques nocives.
5. **Étendez des bâches sur l'aire de travail pour capter les écailles de peinture. Portez des vêtements de protection :** chapeau, chemise et salopettes de travail. Les écailles de peinture peuvent contenir des substances chimiques nocives.
6. **Travaillez dans une seule pièce à la fois.** Enlevez les meubles ou couvrez-les après les avoir placés au centre de la pièce. Bouchez les ouvertures avec des bâches pour isoler le lieu de travail des autres pièces de l'immeuble.
7. **Les enfants, les femmes enceintes ou en âge de procréer et les mères qui allaitent** ne doivent pas s'approcher de l'endroit où a lieu le décapage avant qu'il ne soit complété et que le nettoyage à fond ne soit terminé.
8. **Portez un masque antipoussière ou à double action (poussière et vapeurs)** dûment approuvé par l'OSHA, le National Institute of Safety and Health (NIOSH), le United States Bureau of Mines ou par les organismes canadiens de santé et sécurité au travail (SIMDUT, CSST etc.). Ces masques sont pourvus d'un filtre remplaçable et vous pouvez vous les procurer dans la majorité des quincailleries. Assurez-vous que le masque adhère bien à la figure, La barbe et les cheveux pourraient nuire à son étanchéité. Remplacez fréquemment le filtre. **LES MASQUES JETABLES EN PAPIER NE SONT PAS ADÉQUATS.**

9. **Évacuez les rognures et la poussière de peinture. NE BALAYEZ PAS, N'ÉPOUSSETEZ PAS ET NE VOUS SERVEZ PAS D'UN ASPIRATEUR.** Passez une vadrouille humide sur le plancher. Nettoyez les murs, seuils, appuis de fenêtres et autres surfaces à l'aide d'un chiffon humide. Employez un détergent à haute teneur de phosphate, de phosphate trisodique (TSP) ou d'un succédané pour nettoyer l'aire de travail.

10. **Disposez des rognures de peinture selon les règles.** Après le travail, placez les rognures de peinture dans un sac de plastique doublé, scellez-le avec un ruban adhésif ou nouez-en le col avant d'en disposer.

11. **Enlevez vos vêtements de protection et vos chaussures de travail avant de quitter l'aire de travail, afin d'éviter de contaminer d'autres parties de l'immeuble.** Lavez vos vêtements de travail séparément. essuyez les chaussures avec un chiffon humide que vous laverez avec vos vêtements de travail. Lavez vos cheveux et votre corps à fond avec de l'eau et du savon.

MISE À LA TERRE



Si le fil de mise à la terre est incorrectement raccordé, il peut en résulter des risques de choc électrique. Si vous n'êtes pas certain que la prise dont vous vous servez est correctement mise à la terre, faites-la vérifier par un électricien. N'altérez pas la fiche du cordon de l'outil. N'enlevez pas de la fiche, la dent qui sert à la mise à la terre. N'employez pas l'outil si le cordon ou la fiche sont en mauvais état. Si tel est le cas, faites-les réparer dans un centre-service MILWAUKEE accrédité avant de vous en servir. Si la fiche du cordon ne s'adapte pas à la prise, faites remplacer la prise par un électricien.

**Outils mis à la terre :
Outils pourvus d'une fiche de cordon à trois dents**

Les outils marqués « Mise à la terre requise » sont pourvus d'un cordon à trois fils dont la fiche a trois dents. La fiche du cordon doit être branchée sur une prise correctement mise à la terre (voir Figure A). De cette façon, si une défectuosité dans le circuit électrique de l'outil survient, le relais à la terre fournira un conducteur à faible résistance pour décharger le courant et protéger l'utilisateur contre les risques de choc électrique.

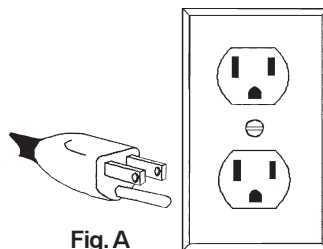


Fig. A

La dent de mise à la terre de la fiche est reliée au système de mise à la terre de l'outil via le fil vert du cordon. Le fil vert du cordon doit être le seul fil raccordé à un bout au système de mise à la terre de l'outil et son autre extrémité ne doit jamais être raccordée à une borne sous tension électrique.

Votre outil doit être branché sur une prise appropriée, correctement installée et mise à la terre conformément aux codes et ordonnances en vigueur. La fiche du cordon et la prise de courant doivent être semblables à celles de la Figure A.

**Outils à double isolation :
Outils pourvus d'une fiche de cordon à deux dents**

Les outils marqués « Double Isolation » n'ont pas besoin d'être raccordés à la terre. Ils sont pourvus d'une double isolation conforme aux exigences de l'OSHA et satisfont aux normes de l'Underwriters Laboratories, Inc., de l'Association canadienne de normalisation (ACNOR) et du « National Electrical Code » (code national de l'électricité). Les outils à double isolation peuvent être branchés sur n'importe laquelle des prises à 120 volt illustrées ci-contre Figure B et C.

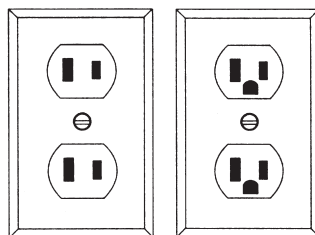


Fig. B

Fig. C

CORDONS DE RALLONGE

Si l'emploi d'un cordon de rallonge est nécessaire, un cordon à trois fils doit être employé pour les outils mis à la terre. Pour les outils à double isolation, on peut employer indifféremment un cordon de rallonge à deux ou trois fils. Plus la longueur du cordon entre l'outil et la prise de courant est grande, plus le calibre du cordon doit être élevé. L'utilisation d'un cordon de rallonge incorrectement calibré entraîne une chute de voltage résultant en une perte de puissance qui risque de détériorer l'outil. Reportez-vous au tableau ci-contre pour déterminer le calibre minimum du cordon.

Moins le calibre du fil est élevé, plus sa conductivité est bonne. Par exemple, un cordon de calibre 14 a une meilleure conductivité qu'un cordon de calibre 16. Lorsque vous utilisez plus d'une rallonge pour couvrir la distance, assurez-vous que chaque cordon possède le calibre minimum requis. Si vous utilisez un seul cordon pour brancher plusieurs outils, additionnez le chiffre d'intensité (ampères) inscrit sur la fiche signalétique de chaque outil pour obtenir le calibre minimal requis pour le cordon.

Directives pour l'emploi des cordons de rallonge

- Si vous utilisez une rallonge à l'extérieur, assurez-vous qu'elle est marquée des sigles « W-A » (« W » au Canada) indiquant qu'elle est adéquate pour usage extérieur.
- Assurez-vous que le cordon de rallonge est correctement câblé et en bonne condition. Remplacez tout cordon de rallonge détérioré ou faites-le remettre en état par une personne compétente avant de vous en servir.
- Tenez votre cordon de rallonge à l'écart des objets ranchants, des sources de grande chaleur et des endroits humides ou mouillés.

Calibres minimaux recommandés pour les cordons de rallonge*

Fiche signalétique Ampères	Longueur du cordon de rallonge (m)					
	7,6	15,2	22,8	30,4	45,7	60,9
0 - 5,0	16	16	16	14	12	12
5,1 - 8,0	16	16	14	12	10	--
8,1 - 12,0	14	14	12	10	--	--
12,1 - 15,0	12	12	10	10	--	--
15,1 - 20,0	10	10	10	--	--	--

* Basé sur une chute de voltage limite de 5 volts à 150% de l'intensité moyenne de courant.

**LISEZ ATTENTIVEMENT CES INSTRUCTIONS
ET CONSERVEZ-LES POUR LES
CONSULTER AU BESOIN.**

DESCRIPTION FONCTIONNELLE

No de cat. 8975 et 8977

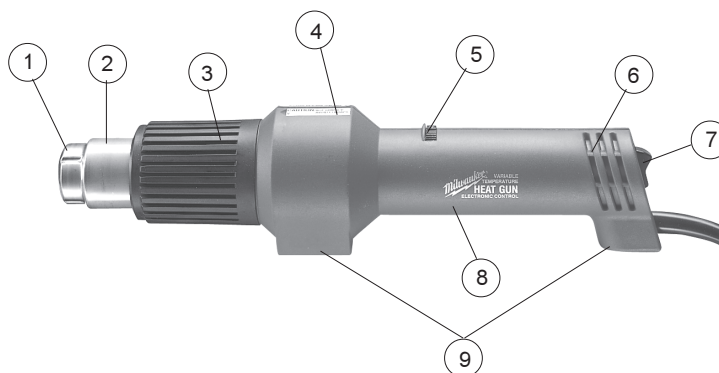
1. Aire de fixation des accessoires
2. Bec
3. Recouvrement
4. Fiche signalétique
5. Évents
6. Capuchon commande de température (sur 8977)
7. Poignée
8. Support
9. Interrupteur on/ off (on/off- haute/basse sur 8975)



No de cat. 8977

No de cat. 8978

1. Aire de fixation des accessoires
2. Bec
3. Recouvrement
4. Fiche signalétique
5. Boutonde réglage de chaler
6. Évents
7. Interrupteur on/ off
8. Poignée
9. Support



No de cat. 8978








No de cat. 8986-20 et 8988-20

1. Aire de fixation des accessoires
2. Bec
3. Recouvrement
4. Indicateur de température (No de cat. 8988-20 seulement)
5. Support
6. Commande d'intensité de chaleur
7. Poignée
8. Commande du débit d'air
9. Évents



No de cat. 8988-20

Pictographie

	Double Isolation
	Courant alternatif
	Ampères
	Watts
	Association canadienne de normalisation (ACNOR)
	Underwriters Laboratories Inc.
	Underwriters Laboratories, Inc. (UL Inscrit aux normes de sécurité des États-Unis et du Canada)

Spécifications

No de cat.	Volts CA	Amp. Max.	Watts Max.	Température	Volume d'Air Pi.Cu./Min*
8975	120	11,6	1 400	300°C / 540°C (570° F / 1 000° F)	14,8
8977	120	11,6	1 400	60°C / 560°C (140° F / 1 040° F)	14,8
8978	120	12,5	1 500	93°C / 593°C (200° F / 1 100° F)	14,8
8986-20	120	12,5	1 500	32°C / 593°C (90° F / 1 100° F)	7-16
8988-20	120	12,5	1 500	32°C / 593°C (90° F / 1 100° F)	7-16

* Pieds cubes par minute

MONTAGE DE L'OUTIL



AVERTISSEMENT!

Pour minimiser les risques de blessures, débranchez toujours l'outil avant d'y faire des réglages, d'y attacher ou d'en enlever des accessoires. Il pourrait être dangereux d'employer des accessoires autres que ceux qui sont spécifiquement recommandés.



AVERTISSEMENT!

Pour minimiser les risques de blessures, attendez que l'outil soit refroidi à la température ambiante avant d'enlever les accessoires.

Installation des réducteurs de débit

Les réducteurs de débit servent à intensifier l'application de chaleur sur un endroit spécifique.

Pour installer le réducteur de débit numéro 49-80-0297 :

1. Pour installer le réducteur de débit sur le pistolet à découper, glissez-le sur le bec du pistolet.
2. Réglez l'intensité, la distance et la durée d'application selon le besoin.

Pour installer les réducteurs Nos de cat. 49-80-0305 et 49-80-0306 (utilisés uniquement sur les pistolets à découper à commande électronique (8978, 8986-20 et 8988-20)) :

1. Pour installer un réducteur de débit sur un pistolet à découper, alignez les cannelures internes du manchon du réducteur sur les cannelures du bec de l'outil.
2. Glissez le réducteur sur le bec de l'outil.
3. Réglez l'intensité, la distance et la durée d'application selon le besoin.

Installation des becs à couper et à rainurer

Le bec à rainurer No de cat. 49-80-0308 est utilisé pour la soudure par recouvrement. Le bec à couper No de cat. 49-80-0309 est utilisé pour les coupes de bordure à la chaleur.

N.B. Le réducteur de débit No de cat 49-80-0305 doit être employé pour accompagner les becs à couper et à rainurer. (utilisé uniquement sur les pistolets à découper à commande électronique (8978, 8986-20 et 8988-20)) :

1. Pour installer le réducteur de débit sur le pistolet à découper, alignez les rainures internes du manchon du réducteur sur les rainures du bec de l'outil et glissez-le en place.
2. Glissez le bec à couper ou le bec à rainurer sur le réducteur de débit.
3. Réglez l'intensité, la distance et la durée d'application selon le besoin.

Installation des becs directeurs de débit d'air

Les becs directeurs de débit d'air sont utilisés pour varier la direction du débit d'air.

Pour le bec-crochet No de cat. 49-80-0292, le bec déflecteur No de cat. 49-80-0293, le bec diffuseur d'air No de cat. 49-80-0294 et le bec à souder No de cat. 49-80-0307 :

1. Pour installer un bec directeur de débit d'air sur un pistolet à découper, glissez le directeur de jet sur le bec de l'outil.
2. Réglez l'intensité, la distance et la durée d'application selon le besoin.

Pour le réflecteur d'air No de cat. 49-80-0307 (utilisé uniquement sur les pistolets à découper à commande électronique (8978, 8986-20 et 8988-20)) :

1. Pour installer un réflecteur d'air sur le pistolet à découper, alignez les rainures du réflecteur sur celles du bec de l'outil.
2. Glissez le réflecteur sur le bec de l'outil.
3. Réglez l'intensité, la distance et la durée d'application selon le besoin.

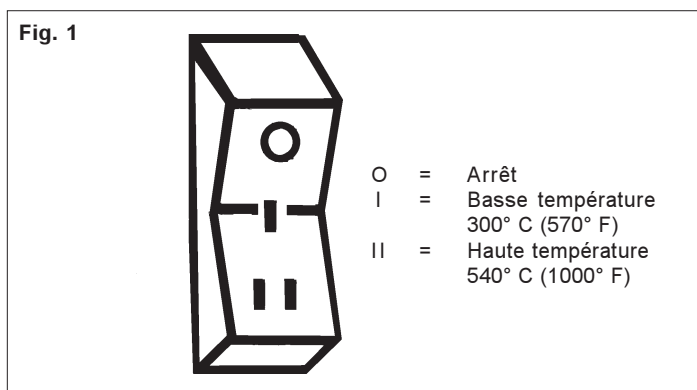


Pour minimiser les risques de blessures, portez des lunettes à coques latérales.

Commande de température (Figs. 1-4)

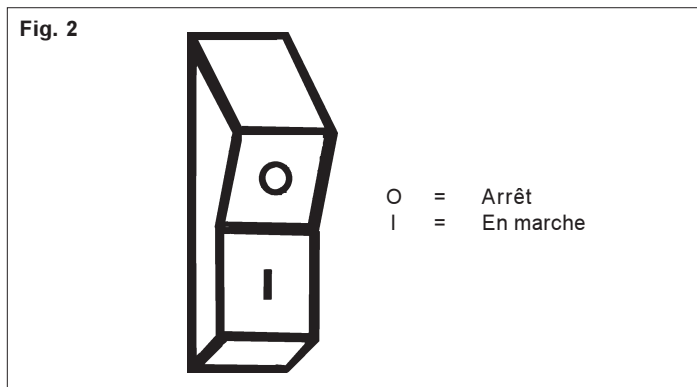
Cat. No. 8975 (Fig. 1)

Le no de catalogue 8975 est un pistolet à découper bithermique pourvu d'un interrupteur à bascule à trois réglages. Les repères marqués sur l'interrupteur correspondent aux positions suivantes:



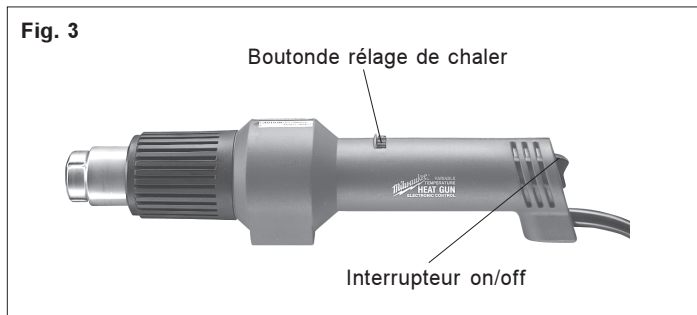
Cat. No. 8977 (Fig. 2)

Le no de catalogue 8977 est un pistolet à champ thermique variable. L'interrupteur est marqué "O" pour "Arrêt" et "I" pour "En marche". Le contrôle de la température s'effectue en tournant le capuchon selon la direction indiquée par les flèches.



Cat. No. 8978 (Fig. 3)

Le no de catalogue 8978 est pourvu d'un système électronique de contrôle de température qui fournit une plus grande concentration de chaleur au niveau du bec et permet l'emploi d'une variété de becs.

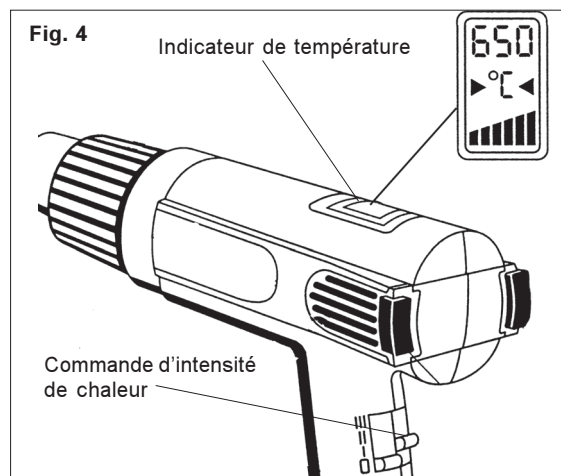


Le système électronique contrôle la température de l'élément chauffant. Contrairement aux pistolets à découper qui ne sont pas pourvus de ce dispositif, le pistolet *MILWAUKEE* offre l'avantage de maintenir une chaleur uniforme même lorsque le débit d'air est restreint par l'emploi des différents becs.

Le no de catalogue 8978 est un pistolet à découper dont le champ thermique varie entre 93° C et 593° C (200° F et 1 100° F). Le bouton de réglage de chaleur est marqué aux positions 1 à 6 (vignette cicontre). Les chiffres bas correspondent à des températures plus basses, tandis que les chiffres plus élevés correspondent aux températures plus chaudes. Pour régler la température, il suffit de tourner le bouton vers la gauche ou vers la droite.

Cat. No. 89786-20 et 8988-20 (Fig. 4)

Ces pistolets à découper sont pourvus d'une commande d'intensité de chaleur variable qui permet à l'utilisateur de régler l'intensité de chaleur selon les besoins d'application.



Le contrôle électronique de la commande d'intensité de chaleur ajuste la température de l'élément chauffant du pistolet. Contrairement aux pistolets à découper sans contrôle électronique les pistolets à découper *MILWAUKEE* maintiennent une intensité de chaleur uniforme même si le débit d'air est augmenté ou diminué par l'usage de becs accessoires. Reportez-vous au tableau des températures de débit d'air pour connaître les différents réglages de débit d'air et d'intensité de chaleur.

Le pistolet No de cat. 8988-20 est pourvu d'indicateur de température.

1. Glissez la commande de débit d'air (commande bleue) à la Position II ou à la Positon III pour que la commande d'intensité de chaleur fonctionne.
2. Pour régler l'intensité de chaleur, glissez la commande d'intensité de chaleur (commande rouge) à la position désirée.

Pour le pistolet No de cat. 8988-20, lorsque la commande d'intensité de chaleur est placée à la position désirée, le degré de la température à cette position apparaîtra à l'indicateur de température. Après 3 secondes, l'indicateur de température affichera la température actuelle du débit d'air. L'indicateur de température continuera d'afficher la température actuelle selon le réglage choisi à l'aide de la commande d'intensité de chaleur.

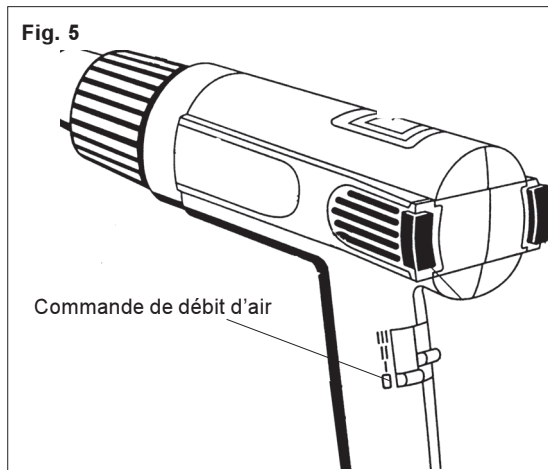
Réglages de débit d'air et de température (8986-20 et 8988-20)

Réglages de débit d'air	Régime de débit d'air	Température minimale	Température maximale	Débit d'air à température maximale
Position I	Haut	32°C (90°F)	32°C (90°F)	7 PCM*
Position II	Bas	32°C (90°F)	593°C (1 100°F)	8,8 PCM
Position III	Haut	32°C (90°F)	593°C (1 100°F)	16 PCM

* Pieds cubes par minute

Utilisation de la commande de débit d'air (Fig. 5) (No de cat. 8986-20 et 8988-20)

Ces pistolets à décaper offrent trois réglages de débit d'air : haut débit d'air sans chaleur, bas débit d'air avec chaleur et haut débit d'air avec chaleur. Reportez-vous au tableau des températures de débit d'air pour connaître les différents réglages de débit d'air.



1. Pour le débit d'air haut sans chaleur, glissez la commande de débit d'air (commande bleue) à la Position I.
N.B. La commande d'intensité de chaleur (commande rouge) ne fonctionnera pas à cette position
2. Pour le débit d'air bas avec chaleur, glissez la commande de débit d'air (commande bleue) à la Position II. L'intensité de chaleur peut être réglée de 32°C à 593°C (90°F à 1 100°F) à l'aide de la commande d'intensité de chaleur (commande rouge). Le débit d'air augmentera automatiquement si l'intensité de chaleur est plus grande.
3. Pour le haut débit d'air avec chaleur, glissez la commande de débit d'air (commande bleue) à la Position III. L'intensité de chaleur peut être réglée de 32°C à 593°C (90°F à 1 100°F) à l'aide de la commande d'intensité de chaleur (commande rouge). Le débit d'air augmentera automatiquement si l'intensité de chaleur est plus grande.
4. Pour arrêter le pistolet à décaper, glissez la commande de débit d'air (commande bleue) à la Position 0.

Réglage de la température

Le degré de chaleur requis pour chaque application dépend du réglage de température, de la distance entre le bec et l'objet à chauffer et de la durée de chauffe. Faites d'abord une expérience sur un matériau de rebut en commençant avec le réglage de température le plus bas. Travaillez soigneusement jusqu'à ce que vous ayez trouvé la combinaison idéale de température, distance et durée de chauffe. Appliquez le jet de chaleur sur la pièce en mouvements alternatifs rapides d'approche et de retrait, à moins qu'il soit nécessaire de concentrer toute la chaleur sur un seul point.

Support (No de cat. 8975 et 8977)

Les modèles 8975 et 8977 sont pourvus d'un support qui permet de les installer en position renversée sur l'établi et d'accorder à l'utilisateur une plus grande liberté de mouvement. Lorsque vous employez un modèle 8975 ou 8977 sur l'établi, mettez-le en position sur une surface unie et assurez-vous d'enclencher le support en place. Placez le cordon de façon à empêcher le basculement du pistolet. Les évents du capuchon arrière de l'outil, servent d'admission d'air, même lorsque l'outil repose en position verticale sur son bout. Il est important qu'ils ne soient pas obstrués par des corps étrangers, des vêtements ou des chiffons. La surface aplatie du bout du pistolet No 8978 sert d'appui. Lorsque vous le placez en position renversée sur le bout plat, assurez-vous que la position du cordon ne le fasse pas basculer.



AVERTISSEMENT!

Afin de minimiser les risques d'incendie, dommages matériels ou blessures corporelles, placez un écran protecteur entre l'aire de chauffe et les matériaux combustibles ou les surfaces adjacentes. Protégez-vous et protégez les autres contre les rognures de peinture chaudes et gaz ou poussières.

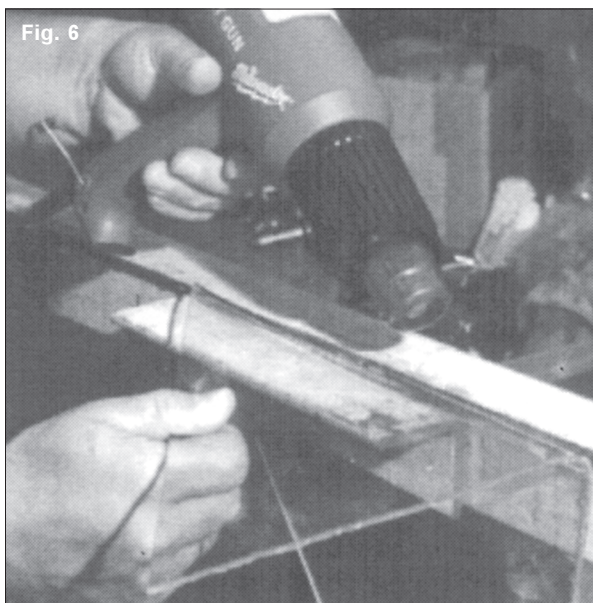
Pour décaper la peinture

Prenez connaissance des instructions de sécurité pour le décapage de la peinture avant de commencer votre travail.

1. Commencez à chauffer au réglage de température bas.
2. Approchez le bec du pistolet à environ 25 mm (1") de la surface de travail.
3. Promenez le bec par un mouvement de va-et-vient sur une petite partie de la surface.
4. Augmentez graduellement la chaleur jusqu'à ce que la peinture commence à se rider. Ensuite, arrêtez de chauffer.
5. Enlevez la peinture à l'aide d'un couteau à mastic bien affûté.

Pour créer des cambrures (Fig. 6)

Les pistolets bithermiques, aussi bien que les pistolets à champ thermique variable sont d'excellents outils pour mouler le plexiglass des gardes ou des garnitures.



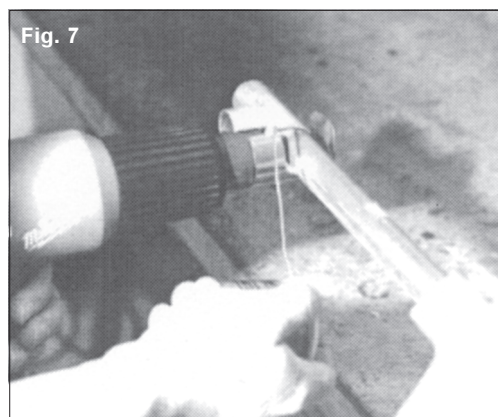
1. Vous pouvez former une cambrure au réglage de basse température ou à température élevée. Lorsque vous employez la température basse, promenez le pistolet près de la surface d'un lent mouvement de va-et-vient. Si vous employez la température élevée, éloignez le pistolet de la surface et passez-le plus rapidement en allant et venant.
2. Promenez le bec du pistolet sur toute la surface à courber. Si vous n'appliquez la chaleur qu'à un seul endroit, la cambrure ne sera pas uniforme.

Pour couper le styrofoam

1. Pour rattacher le bec à couper le styrofoam au pistolet, installez d'abord un réducteur de débit No 49-80-0305 sur le bec de l'outil (voir « Installation des réducteurs de débit »). Installez ensuite le bec à couper le styrofoam sur le réducteur de débit.
2. Pour couper le styrofoam, réglez la température à la position basse ou moyenne et appliquez la chaleur sur la surface selon le besoin. Le bec effectuera des coupes droites ou circulaires, des trous ou des évidements.

N.B. Il est normal qu'une fumée légère et de faibles odeurs se dégagent du matériau. Il n'y aura pas de danger pourvu que la ventilation de votre lieu de travail soit adéquate. Coupez à la vitesse maximale pour éviter l'accumulation excessive de fumée et empêcher la surchauffe du bec du pistolet. Prenez connaissance des instructions de sécurité fournies avec le matériau que vous désirez couper.

Pour souder (Fig. 7)



1. Installez le bec réflecteur à souder ou le bec crochet sur le pistolet à décaper.
2. Ébarbez le tuyau et la bague de joint avec un papier d'émeri ou de la laine d'acier.
3. Pour souder à souder avec ou sans plomb, enduisez de fondant le bout du tuyau de cuivre et la bague de joint. Ensuite, glissez la bague sur le tuyau.
4. Passez le bec accessoire du pistolet autour de la bague et chauffez le joint à haute température.
5. Lorsque le fondant commence à bouillonner, ajoutez la soudure en évitant qu'il n'en tombe dans le bec du pistolet.

Pour réduire à la chaleur (Fig. 8)

1. Installez le bec réflecteur à souder ou le bec crochet sur le pistolet à décaper.
2. Pour réduire une tubulure à la chaleur, employez la basse température. Appliquez la chaleur sur la tubulure à réduire en un mouvement de va-et-vient jusqu'à ce que la tubulure se rétrécisse et retirez-la immédiatement.



⚠ AVERTISSEMENT!

Pour minimiser les risques de blessures, débranchez toujours l'outil avant d'y effectuer des travaux de maintenance. Ne faites pas vous-même le démontage de l'outil ni le rebobinage du système électrique. Consultez un centre de service MILWAUKEE accrédité pour toutes les réparations.

Entretien de l'outil

Gardez l'outil en bon état en adoptant un programme d'entretien ponctuel. Avant de vous en servir, examinez son état en général. Inspectez-en la garde, interrupteur, cordon et cordon de rallonge pour en déceler les défauts. Vérifiez le serrage des vis, l'alignement et le jeu des pièces mobiles, les vices de montage, bris de pièces et toute autre condition pouvant en rendre le fonctionnement dangereux. Si un bruit ou une vibration insolite survient, arrêtez immédiatement l'outil et faites-le vérifier avant de vous en servir de nouveau. N'utilisez pas un outil défectueux. Fixez-y une étiquette marquée « HORS D'USAGE » jusqu'à ce qu'il soit réparé (voir « Réparations »).

⚠ AVERTISSEMENT!

Pour minimiser les risques de blessures, choc électrique et dommage à l'outil, n'immergez jamais l'outil et ne laissez pas de liquide s'y infiltrer.

Nettoyage

Débarrassez les événements des débris et de la poussière. Gardez les poignées de l'outil propres, à sec et exemptes d'huile ou de graisse. Le nettoyage de l'outil doit se faire avec un linge humide et un savon doux. Certains nettoyants tels l'essence, la térébenthine, les diluants à laque ou à peinture, les solvants chlorés, l'ammoniaque et les détergents d'usage domestique qui en contiennent pourraient détériorer le plastique et l'isolation des pièces. Ne laissez jamais de solvants inflammables ou combustibles auprès des outils.

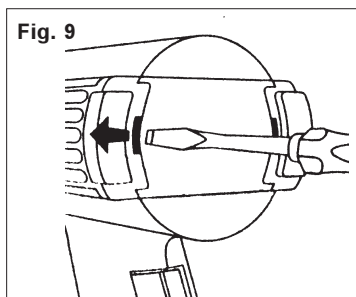
Réparations

Si votre outil est endommagé, retourne l'outil entier au centre de maintenance le plus proche.

Nettoyage des filtres d'air (Fig. 9) (No de cat. 8986-20 et 8988-20 seulement)

Les filtres d'air de ces pistolets s'enlèvent pour le nettoyage.

1. Débranchez l'outil
 2. Pour enlever le filtre, introduisez un tournevis à lame plate entre le boîtier du moteur et le filtre et dégagez le filtre vers l'arrière de l'outil (Fig. 9).
 3. Glissez le filtre hors de son logement à l'arrière de l'outil.
 4. Retirez le tampon d'appui du filtre à l'aide d'un tournevis.
 5. Enlevez la poussière et les débris du filtre avec une brosse trempée dans l'eau chaude.
- N.B.** Laissez sécher le filtre avant de le réinstaller.
6. Pour réinstaller le filtre, glissez-le dans les rainures de l'évent d'admission d'air à l'arrière de l'outil. Enclenchez le filtre en position.



GARANTIE LIMITÉE DE L'OUTIL DE CINQ ANS

Tous les outils MILWAUKEE sont testés avant de quitter l'usine et sont garantis exempts de vice de matériau ou de fabrication. MILWAUKEE réparera ou remplacera (à la discrétion de MILWAUKEE), sans frais, tout outil (y compris les chargeurs de batterie) dont l'examen démontre le caractère défectueux du matériau ou de la fabrication dans les cinq (5) ans suivant la date d'achat. Retourner l'outil et une copie de la facture ou de toute autre preuve d'achat à une branche Entretien usine/Assistance des ventes de l'établissement MILWAUKEE ou à un centre d'entretien agréé par MILWAUKEE, en port payé et assuré. Cette garantie ne couvre pas les dommages causés par les réparations ou les tentatives de réparation par quiconque autre que le personnel agréé par MILWAUKEE, les utilisations abusives, l'usure normale, les carences d'entretien ou les accidents.

Les batteries, les lampes de poche et les radios sont garanties pour un (1) an à partir de la date d'achat.

LES SOLUTIONS DE RÉPARATION ET DE REMPLACEMENT DÉCRITES PAR LES PRÉSENTES SONT EXCLUSIVES. MILWAUKEE NE SAURAIT ÊTRE RESPONSABLE, EN AUCUNE CIRCONSTANCE, DES DOMMAGES ACCESSOIRES, SPÉCIAUX OU INDIRECTS, Y COMPRIS LES MANQUES À GAGNER.

CETTE GARANTIE EST EXCLUSIVE ET REMPLACE TOUTES LES AUTRES GARANTIES OU CONDITIONS, ÉCRITES OU ORALES, EXPRESSES OU TACITES DE QUALITÉ MARCHANDE OU D'ADAPTATION À UNE UTILISATION OU UNE FIN PARTICULIÈRE.

Cette garantie vous donne des droits particuliers. Vous pouvez aussi bénéficier d'autres droits variant d'un état à un autre et d'une province à une autre. Dans les états qui n'autorisent pas les exclusions de garantie tacite ou la limitation des dommages accessoires ou indirects, les limitations ou exclusions ci-dessus peuvent ne pas s'appliquer. Cette garantie s'applique aux États-Unis, au Canada et au Mexique uniquement.

ACCESSOIRES



AVERTISSEMENT!

Pour minimiser les risques de blessures, débranchez toujours l'outil avant d'y installer ou d'en enlever les accessoires. L'emploi d'accessoires autres que ceux qui sont expressément recommandés pour cet outil peut présenter des risques.

Pour une liste complète des accessoires, prière de se reporter au catalogue *MILWAUKEE* Electric Tool ou visiter le site internet www.milwaukeetool.com. Pour obtenir un catalogue, il suffit de contacter votre distributeur local ou l'un des centres-service.



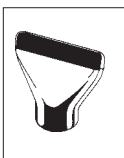
Bec crochet
No de cat. 49-80-0292

Pour chauffer autour, plier, souder les tuyaux, réduire les tubulures.



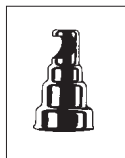
Réducteur de débit
No de cat. 49-80-0297

Sert à intensifier la chaleur à des endroits spécifiques. Ce bec peut aussi faire des soudures.



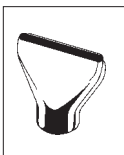
Bec déflecteur
No de cat. 49-80-0293

Pour diriger l'air chaud à un angle de 90° du bec du pistolet à découper. Cet accessoire permet de minimiser le choc thermique causé par l'expansion rapide du verre des fenêtres au cours des travaux d'amollissement du mastic ou de décapage de la peinture.



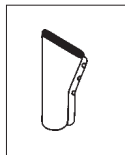
Bec réflecteur à souder
No de cat. 49-80-0307

L'accessoire idéal pour souder les joints de tuyaux de cuivre et appliquer la chaleur sur les tubulures à réduire.



Diffuseur d'air
No de cat. 49-80-0294

Sert à créer un débit d'air linéaire plutôt que circulaire pour découper la peinture. Le diffuseur peut aussi servir à amollir et modeler les thermoplastiques, les tuiles à plancher de vinyle, le linoléum et le formica.



Bec à rainurer
No de cat. 39-80-0308

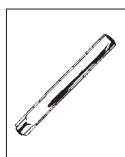
Sert à créer un débit d'air linéaire plutôt que circulaire pour souder par recouvrement les panneaux ou les toiles en PVC.

N.B. Ce bec doit être utilisé avec le réducteur de débit No de cat. 48-80-0305.



Réducteur de débit
No de cat. 49-80-0305

Sert à intensifier la chaleur à certains endroits et à faire des soudures. S'emploie aussi pour plier le plexiglass et pour diriger le débit d'air dans les encoignures.



Bec à couper
No de cat. 49-80-0309

Utilisé pour tailler, en coupe droite ou circulaire, le styrofoam ne dépassant pas 102mm (4") d'épaisseur.

N.B. Ce bec doit être utilisé avec le réducteur de débit No de cat. 48-80-0305.



Réducteur de débit
No de cat. 49-80-0306

Sert à intensifier la chaleur à certains endroits. Il convient aux mêmes applications que le réducteur de débit No 49-80-0305.

REGLAS GENERALES DE SEGURIDAD



¡ADVERTENCIA!

LEA Y ENTIENDA TODAS LAS INSTRUCCIONES


El no seguir las instrucciones a continuación puede ocasionar una descarga eléctrica, incendio y/o lesiones graves.

GUARDE ESTAS INSTRUCCIONES

AREA DE TRABAJO

1. **Mantenga el área de trabajo limpia e iluminada.** Las mesas de trabajo desordenadas y las áreas con poca iluminación propician los accidentes.
2. **No opere las herramientas con motor en ambientes explosivos, tales como los ambientes con líquidos, gases o polvo inflamables.** Las herramientas con motor producen chispas que pueden inflamar el polvo o los gases.
3. **Mantenga a las personas alejadas mientras esté utilizando una herramienta con motor.** Las distracciones pueden causar la pérdida del control de la herramienta. Proteja a las demás personas en el área de trabajo contra escombros, tales como astillas y chispas. Instale barreras si se necesitan.

SEGURIDAD ELECTRICA

4. **Las herramientas conectadas a tierra deben estar enchufadas en un toma corriente que esté instalado correctamente y conectado a tierra de acuerdo con todos los códigos y ordenanzas vigentes. Nunca retire la clavija de conexión a tierra o modifique el enchufe de ninguna manera. No use enchufes adaptadores. Consulte a un electricista capacitado si tiene dudas para asegurar que el tomacorriente esté correctamente conectado a tierra.** Si las herramientas sufren fallas eléctricas, la conexión a tierra proporciona una trayectoria de baja resistencia para que el usuario no quede expuesto a la electricidad.
5. **Las herramientas con aislamiento doble están equipadas con un enchufe polarizado (una clavija es más ancha que la otra). Hay una sola manera de introducir este enchufe en una toma polarizada. Si el enchufe no se ajusta completamente en la toma, dé vuelta el enchufe. Si el problema persiste, póngase en contacto con un electricista calificado para que instale una toma polarizada. No cambie la toma de ninguna manera.** El doble aislamiento  elimina la necesidad de un cable de energía con conexión a tierra con 3 alambres y la de un sistema de suministro de energía con conexión a tierra.
6. **Evite contacto físico con las superficies conectadas a tierra, tales como tuberías, radiadores, cocinas y refrigeradores.** Existe un riesgo de un choque eléctrico mayor si su cuerpo está expuesto a tierra.
7. **No exponga las herramientas eléctricas a condiciones de lluvia o humedad.** El agua que entra en una herramienta eléctrica aumentará el riesgo de fuego o choque eléctrico.
8. **No maltrate el cable. Nunca use el cable para transportar las herramientas ni para sacar el enchufe de la toma eléctrica. Mantenga el cable lejos de calefacción, petróleo, bordes afilados o cualquier parte móvil. Reemplace inmediatamente cualquier cable dañado.** Los cables dañados aumentan el riesgo de choque eléctrico.
9. **Al operar una herramienta eléctrica a la intemperie, use un cordón de extensión para la intemperie marcado "W-A" o "W".** Estos cordones están aprobados para usos exteriores y reducen el riesgo del choque eléctrico.

SEGURIDAD PERSONAL

10. **Esté alerta. Revise su trabajo y use el sentido común. No opere su herramienta cuando esté cansado, distraído o bajo la influencia de drogas, alcohol o medicamentos.** Un momento de descuido cuando operando un herramienta eléctrica puede resultar en lesiones graves.

11. **Utilice ropa adecuada.** No use ropa suelta o joyas. Mantenga el cabello largo, ropa y guantes alejados de las partes móviles.
12. **Evite los arranques accidentales.** Verifique que el interruptor esté apagado antes de enchufar la herramienta. Transportar la herramienta por el gatillo o enchufarla con el interruptor encendido puede ocasionar accidentes.
13. **Saque las llaves de ajuste antes de encender la herramienta.** Una llave sujeta a una parte en movimiento puede causar lesiones.
14. **No se esfuerce, mantenga el control y el balance en todo momento.** Mantenga siempre una postura y un balance adecuados. Una postura y un balance correctos otorga un mejor control ante situaciones inesperadas.
15. **Utilice el equipo de seguridad. Siempre use protección para los ojos.** Se debe usar una máscara contra el polvo, zapatos de seguridad antidelizantes, casco y protector para los oídos, cuando las condiciones así lo requieran.

USO Y MANTENIMIENTO DE LA HERRAMIENTA

16. **Utilice abrazaderas u otra manera práctica para sujetar y apoyar el material en una plataforma estable.** Tener el material en la mano o contra el cuerpo es inestable y puede causar la pérdida del control.
17. **No fuerce la herramienta. Utilice la herramienta apropiada para la aplicación.** La herramienta realizará el trabajo de manera más eficaz y segura, si la opera a la velocidad apropiada.
18. **Si el gatillo no enciende o apaga la herramienta, no utilice la herramienta.** Una herramienta que no se puede controlar con el gatillo es peligrosa y debe ser reparada.
19. **Desconecte el enchufe de la fuente de energía antes de realizar cualquier ajuste, cambiar los accesorios o almacenar la herramienta.** Tales medidas precautorias de seguridad reducen el riesgo de encender la herramienta accidentalmente.
20. **Almacene las herramientas que no se estén usando fuera del alcance de los niños y de personas que no estén capacitadas.** Es peligroso permitir a los usuarios utilizar las herramientas, si no están capacitados previamente.
21. **Mantenga las herramientas en buenas condiciones. Las herramientas cortadoras deben mantenerse afiladas y limpias.** Esto reduce el riesgo de que la herramienta se atasque y facilita el control de la misma. No utilice una herramienta dañada. Colóquela una etiqueta que diga "No Debe Usarse" hasta que sea reparada.
22. **Verifique que las partes en movimiento estén alineadas y no estén atascadas. También debe verificarse que las partes no estén rotas o tengan cualquier otra condición que pueda afectar el funcionamiento de la herramienta. Si está dañada, se debe reparar la herramienta antes de utilizarla.** Muchos accidentes se deben al mantenimiento incorrecto de la herramienta.
23. **Utilice solamente los accesorios recomendados por el fabricante para ese modelo.** Los accesorios que son apropiados para una herramienta pueden aumentar el riesgo de lesiones cuando se usan con otra herramienta.

SERVICIO

24. **El servicio de mantenimiento debe ser realizado solamente por personal técnico debidamente capacitado.** El servicio o mantenimiento realizado por personal no calificado puede aumentar el riesgo de lesiones.

25. **Cuando realice el servicio de mantenimiento, utilice solamente repuestos idénticos. Siga las instrucciones en la sección de mantenimiento de este manual.** El uso de partes no autorizadas o el incumplimiento de las instrucciones de mantenimiento puede aumentar el riesgo de descarga eléctrica o lesiones.

INSTRUCCIONES DE SEGURIDAD SPECIALES PARA LAS PISTOLAS DE CALOR

1. **No dirija el flujo de aire de la pistola de calor hacia la ropa, el cabello u otras partes del cuerpo. No use la pistola como secadora de cabello.** Las pistolas de calor pueden producir un calor sin llama de 540°C en la boquilla. El contacto con el flujo de aire puede resultar en lesiones personales.
2. **Conozca su ambiente de trabajo.** Las áreas ocultas tales como detrás de las paredes, techos, pisos, tableros y otros paneles quizás contengan materiales inflamables que pueden encenderse durante el uso de la pistola de calor en estas condiciones. La ignición de estos materiales puede no aparente inmediatamente y podría resultar en daños materiales y lesiones personales. Revise estas áreas antes de aplicar calor. Si tiene dudas, use un método alternativo. El prolongar la aplicación de calor en un lugar puede encender el panel o el material que está detrás del mismo. Mantenga la pistola de calor en movimiento para evitar temperaturas excesivas.
3. **No use la pistola de calor cerca de líquidos inflamables o en atmósferas explosivas, tales como en presencia de vapores, gases o polvo.** El calor sin llama de la pistola de calor puede encender el polvo o los vapores. Retire del área de trabajo los materiales o residuos que pueden encenderse.
4. **Proteja los materiales alrededor del área calentada** para evitar daños materiales o incendios.
5. **Tenga a la mano un extintor de incendios.** Las pistolas de calor pueden encender los materiales inflamables dejados en el área de trabajo.
6. **ATTENTION: Superficie caliente. Siempre sujete la pistola de calor por su compartimiento de plástico. No toque la boquilla, ni las puntas de los accesorios, ni guarde la pistola de calor hasta que la boquilla se haya enfriado a la temperatura ambiente.** La boquilla metálica requiere aproximadamente 20 minutos para enfriarse antes de que se pueda tocar. El contacto con la boquilla o la punta de un accesorio puede resultar en lesiones personales. Coloque la pistola en un área sin obstrucciones lejos de materiales combustibles mientras se enfría para evitar la ignición de materiales inflamables.
7. **No corte el flujo de aire colocando la boquilla demasiado cerca a la pieza de trabajo.** Mantenga las rendijas de entrada limpias y sin obstrucciones. El flujo de aire restringido puede hacer que se sobrecaliente la pistola de calor.
8. **Coloque la pistola de calor sobre una superficie estable y nivelada cuando no la sujete con la mano. Use almohadillas de soporte o una plataforma de soporte.** Coloque el cable en una posición que no cause que la pistola de calor se voltee de lado.
9. **No deje la pistola de calor desatendida mientras está funcionando o enfriándose.** La falta de atención puede propiciar accidentes.
10. **No se exponga la lluvia ni en sitios con excesiva humedad. Almacénela en sitios interiores y secos.**
11. **No dirija el flujo de aire directamente sobre materiales de vidrio.** El vidrio puede agrietarse y causar daños materiales o lesiones personales.
12. **Guarde las etiquetas y placas de especificaciones.** Estas tienen información importante. Si son ilegibles o si no se pueden encontrar, póngase en contacto con un centro de servicio de **MILWAUKEE** para una refacción gratis.
13. **¡ADVERTENCIA!** Ciertos polvos creados por dispositivos a motor para actividades de construcción tales como lijado, aserrado, esmerilado, perforado, etc., contienen productos químicos que se sabe producen cáncer, defectos congénitos y otros daños al sistema reproductivo. Algunos ejemplos de estos productos químicos son:
 - plomo en pinturas a base de plomo
 - sílice cristalino contenido en ladrillos, cemento y otros productos de albañilería,
 - arsénico y cromo contenido en madera tratada químicamente.

El riesgo de estas exposiciones varía, dependiendo de la frecuencia con que se hace este tipo de trabajo. Para reducir la exposición a estos productos químicos, trabaje en áreas bien ventiladas y utilice equipo de seguridad aprobado, tal como máscaras para polvo diseñadas específicamente para filtrar partículas microscópicas.

INSTRUCCIONES DE SEGURIDAD PARA REMOVER LA PINTURA



¡ADVERTENCIA!

Tenga mucho cuidado cuando raspe pintura. La pintura raspada, los residuos y los vapores de pintura pueden contener plomo, el cual es VENENOSO. Las pinturas elaboradas antes de 1977 pueden contener plomo y las pinturas elaboradas antes de 1950 probablemente contengan plomo. El contacto de mano a boca con pintura raspada o residuos de pintura elaborada antes de 1977 puede resultar en la ingestión de plomo. La exposición al plomo, incluso a niveles bajos, puede causar daños irreversibles al cerebro y al sistema nervioso. Los fetos y los niños pequeños son especialmente vulnerables al envenenamiento por plomo. **NO RETIRE PINTURA A BASE DE PLOMO CON UNA PISTOLA DE CALOR.** Antes de empezar a trabajar, determine si la pintura que va a retirar contiene plomo. El departamento de salud local o un profesional que use un analizador de pintura puede verificar el contenido de plomo de la pintura. **LAS PINTURAS A BASE DE PLOMO DEBEN RETIRADAS POR UN PROFESIONAL SOLAMENTE.**

1. **Trabaje en un área bien ventilada.** Si fuera posible, mueva la pieza de trabajo al aire libre. Si está trabajando en interiores, abra las ventanas y coloque un ventilador de extracción. Asegúrese de que el ventilador mueva el aire de adentro hacia afuera. Una ventilación apropiada reducirá el riesgo de inhalación de los productos químicos contenidos en los vapores o polvos creados al usar una pistola de calor.
2. **Retire o cubra alfombras, muebles, ropa, utensilios de cocina y conductos de aire** para evitar los daños materiales producidos por la pintura raspada.
3. **Tome precauciones cuando trabaje con la pistola de calor.** Mantenga la pistola en movimiento para evitar temperaturas excesivas. El calor excesivo puede quemar la pintura y otros materiales y causar vapores que pueden ser inhalados por el operador.
4. **Mantenga limpio el ambiente de trabajo.** Mantenga las comidas y bebidas lejos del área de trabajo. Lávese las manos, los brazos y la cara, y enjuáguese la boca antes de comer y beber. No fume ni consuma tabaco ni goma de mascar en el área de trabajo. Los desechos de pintura y el polvo creado al raspar la pintura pueden contener productos químicos peligrosos.
5. **Coloque lonas en el área de trabajo para recoger los desechos de pintura. Use ropa protectora** tal como sombreros, camisas de trabajo adicionales y overoles. Los desechos de pintura pueden contener productos químicos peligrosos.
6. **Trabaje en una habitación a la vez.** Retire los muebles o cúbralos y colóquelos en el centro de la habitación. Selle el claro de las puertas con lonas para aislar el área de trabajo del resto del edificio.
7. **Los niños, las mujeres embarazadas o que pueden estar embarazadas y las madres en etapa de lactación no deben acercarse al área de trabajo** hasta que se haya finalizado la tarea y el área de trabajo se haya limpiado exhaustivamente.
8. **Use una máscara respiradora para polvo o una máscara respiradora con doble filtro (para polvo y vapores)** aprobada por Occupational Safety and Health Administration (OSHA), National Institute of Safety and Health (NIOSH) o United States Bureau of Mines. Estas máscaras y filtros reemplazables están disponibles en las principales ferreterías. Asegúrese de que la máscara sea del tamaño apropiado. La barba y el vello facial pueden impedir el sello correcto de la máscara. Cambie los filtros con frecuencia. **LAS MASCARAS DE PAPEL DESECHABLES NO SON ADECUADAS.**
9. **Limpie todos los desechos de pintura y polvo. NO BARRA NI ASPIRE EL POLVO SECO.** Limpie los pisos con un trapeador húmedo. Use un paño húmedo para limpiar todas las paredes, umbrales de ventanas y otras superficies donde se haya acumulado la pintura y el polvo. Use un detergente con alto contenido de fosfato, fosfato trisódico (TSP) o un sustituto de fosfato trisódico para limpiar y trapear el área de trabajo.
10. **Descarte los desechos de pintura debidamente.** Después de cada sesión de trabajo, coloque los desechos de pintura en una bolsa de plástico doble, ciérrela con cinta adhesiva o flejes para amarrar y deséchela.
11. **Quítese la ropa protectora y los zapatos de trabajo en el área de trabajo para evitar transferir el polvo a otras partes del edificio.** Lave la ropa de trabajo por separado. Limpie los zapatos con un trapo húmedo, el cual debe lavarse después junto con la ropa de trabajo. Lávese el cabello y el cuerpo exhaustivamente con agua y jabón.

TIERRA



¡ADVERTENCIA!

Puede haber riesgo de descarga eléctrica si se conecta el cable de conexión de puesta a tierra incorrectamente. Consulte con un electricista certificado si tiene dudas respecto a la conexión de puesta a tierra del tomacorriente. No modifique el enchufe que se proporciona con la herramienta. Nunca retire la clavija de conexión de puesta a tierra del enchufe. No use la herramienta si el cable o el enchufe está dañado. Si está dañado antes de usarlo, llévelo a un centro de servicio **MILWAUKEE** para que lo reparen. Si el enchufe no se acopla al tomacorriente, haga que un electricista certificado instale un tomacorriente adecuado.

Herramientas con conexión a tierra:

Herramientas con enchufes de tres clavijas

Las herramientas marcadas con la frase "Se requiere conexión de puesta a tierra" tienen un cable de tres hilos y enchufes de conexión de puesta a tierra de tres clavijas. El enchufe debe conectarse a un tomacorriente debidamente conectado a tierra (véase la Figura A). Si la herramienta se averiara o no funcionara correctamente, la conexión de puesta a tierra proporciona un trayecto de baja resistencia para desviar la corriente eléctrica de la trayectoria del usuario, reduciendo de este modo el riesgo de descarga eléctrica.

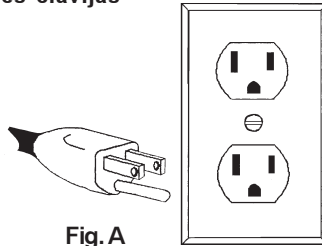


Fig. A

La clavija de conexión de puesta a tierra en el enchufe está conectada al sistema de conexión de puesta a tierra de la herramienta a través del hilo verde dentro del cable. El hilo verde debe ser el único hilo conectado al sistema de conexión de puesta a tierra de la herramienta y nunca se debe unir a una terminal energizada.

Su herramienta debe estar enchufada en un tomacorriente apropiado, correctamente instalado y conectado a tierra según todos los códigos y reglamentos. El enchufe y el tomacorriente deben asemejarse a los de la Figura A.

Herramientas con doble aislamiento:

Herramientas con clavijas de dos patas

Las herramientas marcadas con "Doble aislamiento" no requieren conectarse "a tierra". Estas herramientas tienen un sistema aislante que satisface los estándares de OSHA y llena los estándares aplicables de UL (Underwriters Laboratories, Inc.), de la Asociación Canadiense de Estándares (CSA) y el Código Nacional de Electricidad. Las herramientas con doble aislamiento pueden ser usadas en cualquiera de los toma corriente de 120 Volt mostrados en las Figuras B y C.

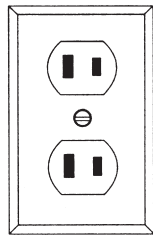


Fig. B

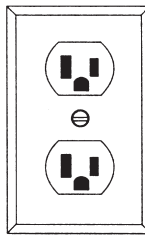


Fig. C

EXTENSIONES ELÉCTRICAS

Las herramientas que deben conectarse a tierra cuentan con clavijas de tres patas y requieren que las extensiones que se utilicen con ellas sean también de tres cables. Las herramientas con doble aislamiento y clavijas de dos patas pueden utilizarse indistintamente con extensiones de dos a tres cables. El calibre de la extensión depende de la distancia que exista entre la toma de la corriente y el sitio donde se utilice la herramienta. El uso de extensiones inadecuadas puede causar serias caídas en el voltaje, resultando en pérdida de potencia y posible daño a la herramienta. La tabla que aquí se ilustra sirve de guía para la adecuada selección de la extensión.

Mientras menor sea el número del calibre del cable, mayor será la capacidad del mismo. Por ejemplo, un cable calibre 14 puede transportar una corriente mayor que un cable calibre 16. Cuando use más de una extensión para lograr el largo deseado, asegúrese que cada una tenga al menos, el mínimo tamaño de cable requerido. Si está usando un cable de extensión para más de una herramienta, sume los amperes de las varias placas y use la suma para determinar el tamaño mínimo del cable de extensión.

Guías para el uso de cables de extensión

- Si está usando un cable de extensión en sitios al aire libre, asegúrese que está marcado con el sufijo "W-A" ("W" en Canadá) el cual indica que puede ser usado al aire libre.
- Asegúrese que su cable de extensión está correctamente cableado y en buenas condiciones eléctricas. Cambie siempre una extensión dañada o hágala reparar por una persona calificada antes de volver a usarla.
- Proteja su extensión eléctrica de objetos cortantes, calor excesivo o áreas mojadas.

Calibre mínimo recomendado para cables de extensiones eléctricas*

Amperios (En la placa)	Largo de cable de Extensión en (m)					
	7,6	15,2	22,8	30,4	45,7	60,9
0 - 5,0	16	16	16	14	12	12
5,1 - 8,0	16	16	14	12	10	--
8,1 - 12,0	14	14	12	10	--	--
12,1 - 15,0	12	12	10	10	--	--
15,1 - 20,0	10	10	10	--	--	--

* Basado en limitar la caída en el voltaje a 5 volts al 150% de los amperios.

LEA Y GUARDE TODAS LAS INSTRUCCIONES PARA FUTURAS REFERENCIAS.

DESCRIPCION FUNCIONAL

Cat. Nos. 8975 y 8977

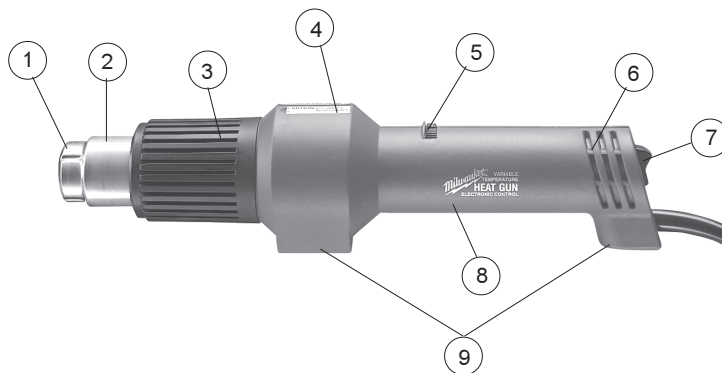
1. Área para fijar los accessories
2. Boquilla
3. Cubierta frontal
4. Placa de especificaciones
5. Respiradero de admisión
6. Control de temperatura (en 8977)
7. Empuñadura
8. Base de soporte
9. Interruptor de corriente (interruptor de corriente- alta/baja, en 8975)



Cat. No. 8977

Cat. No. 8978

1. Área para fijar los accessories
2. Boquilla
3. Cubierta frontal
4. Placa de especificaciones
5. Botón para ajustar el calor
6. Respiradero de admisión
7. Interruptor de corriente
8. Empuñadura
9. Base de soporte



Cat. No. 8978








Cat. Nos. 8986-20 y 8988-20

1. Área para fijar los accessories
2. Boquilla
3. Cubierta frontal
4. Indicador de temperatura (Cat. No. 8988-20 solamente)
5. Base de soporte
6. Interruptor de control de temperatura
7. Empuñadura
8. Interruptor de control de flujo de aire
9. Respiradero de admisión



Cat. No. 8988-20

Simbología

	Doble aislamiento
	Volts corriente alterna
	Amperios
	Watts
	Asociación de Normas Canadiense
	Underwriters Laboratories, Inc.
	Underwriters Laboratories, Inc. (Lista UL según estándares de seguridad de EE.UU. y Canadá)

Especificaciones

Cat. No.	Volts ca~	Amperios Max.	Watts Max.	Temperatura	Volumen de air CFM*
8975	120	11,6	1 400	300°C / 540°C (570° F / 1 000° F)	14,8
8977	120	11,6	1 400	60°C / 560°C (140° F / 1 040° F)	14,8
8978	120	12,5	1 500	93°C / 593°C (200° F / 1 100° F)	14,8
8986-20	120	12,5	1 500	32° C / 593° C 90° F / 1 100° F	7-16
8988-20	120	12,5	1 500	32° C / 593° C 90° F / 1 100° F	7-16

*Pies cúbicos por minuto

ENSAMBAJE DE LA HERRAMIENTA



¡ADVERTENCIA!

Para reducir el riesgo de lesiones personales, siempre desenchufe la herramienta antes de conectar o retirar los accesorios y hacer ajustes. Use sólo los accesorios recomendados específicamente. El uso de otros accesorios puede ser peligroso.



¡ADVERTENCIA!

Para reducir el riesgo de lesiones personales, no retire las puntas de los accesorios hasta que se hayan enfriado a la temperatura ambiente.

Instalación de boquillas reductoras

Las boquillas reductoras se usan para intensificar la aplicación de calor en un área específica.

Para la boquilla reductora Cat. No. 49-80-0297:

1. Para instalar la boquilla reductora en la pistola de calor, deslice la boquilla sobre la nariz de la pistola de calor.
2. Ajuste el calor, la distancia y la duración de la aplicación según sea necesario.

Para boquillas reductoras Cat. No. 49-80-0305, 49-80-0306 (sólo para uso con pistolas de calor controladas electrónicamente 8978, 8986-20 y 8988-20):

1. Para instalar la boquilla reductora en la pistola de calor, alinee las ranuras de la boquilla con las ranuras de la nariz de la pistola de calor.
2. Deslice la boquilla sobre la nariz.
3. Ajuste el calor, la distancia y la duración de la aplicación según sea necesario.

Instalación de boquillas de ranuración y corte

La boquilla de ranuración Cat. No. 49-80-0308 se usa para soldadura a solape. La boquilla de corte Cat. No. 49-80-0309 se usa para borde de corte por calentamiento.

NOTA: La boquilla reductora Cat. No. 49-80-0305 se necesita como accesorio para las boquillas de ranuración y corte. (sólo para uso con pistolas de calor controladas electrónicamente 8978, 8986-20 y 8988-20):

1. Para instalar la boquilla reductora en la pistola de calor, alinee las ranuras de la boquilla con las ranuras de la nariz de la pistola de calor y deslice la boquilla sobre la nariz.
2. Deslice la boquilla de ranuración o corte sobre la boquilla reductora.
3. Ajuste el calor, la distancia y la duración de la aplicación según sea necesario.

Instalación de boquillas de dirección de aire

Las boquillas de dirección de aire se usan para cambiar la dirección del flujo de aire.

Para la boquilla de gancho Cat. No. 49-80-0292, el deflector Cat. No. 49-80-0293, el distribuidor de aire Cat. No. 49-80-0294 y la boquilla reflectora de soldadura Cat. No. 49-80-0307:

1. Para instalar una boquilla de dirección de aire en la pistola de calor, deslice la boquilla sobre la nariz de la pistola de calor.
2. Ajuste el calor, la distancia y la duración de la aplicación según sea necesario.

Para el reflector de aire Cat. No. 49-80-0307 (sólo para uso con pistolas de calor controladas electrónicamente 8978, 8986-20 y 8988-20):

1. Para instalar la boquilla reflectora de aire en la pistola de calor, alinee las ranuras de la boquilla con las ranuras de la nariz de la pistola de calor.
2. Deslice la boquilla sobre la nariz.
3. Ajuste el calor, la distancia y la duración de la aplicación según sea necesario.

OPERACION



¡ADVERTENCIA!

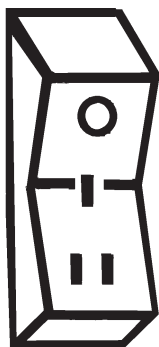
Para reducir el riesgo de lesiones, use siempre lentes de seguridad o anteojos con protectores laterales.

Control de temperatura (Figs. 1-4)

Cat. No. 8975 (Fig. 1)

El número de catálogo 8975 es una pistola de aire caliente de temperatura dual que cuenta con un interruptor de tres posiciones. Las marcas que se observan en el interruptor corresponden a las siguientes posiciones:

Fig. 1

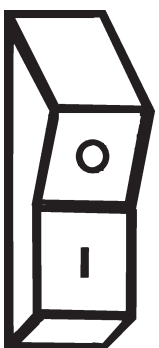


- O = Apagado
- I = Temperatura baja
300° C (570° F)
- II = Temperatura alta
540° C (1000° F)

Cat. No. 8977 (Fig. 2)

El número de catálogo 8977 es una pistola de aire caliente de temperatura variable. Está marcada con una "O" que indica APAGADO y con un "I" que indica ENCENDIDO. La temperatura se controla girando la tapa del extremo en la dirección que indican las flechas.

Fig. 2



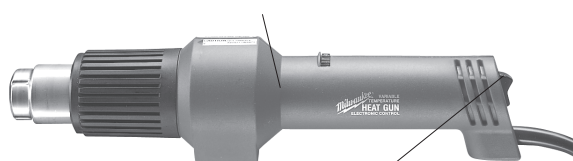
- O = Apagado
- I = Encendido

Cat. No. 8978 (Fig. 3)

El Número de catálogo 8978 cuenta con un sistema electrónico de control de la temperatura, mismo que permite a la herramienta producir una mayor concentración de calor en la boquilla, pudiendo utilizarse varias boquillas accesorias.

Fig. 3

Botón para ajustar el calor



Interruptor de corriente

El sistema electrónico de control de la temperatura regula ésta dentro del elemento de calor de la herramienta. A diferencia de las pistolas de aire caliente que no son electrónicas, la Pistola de Aire Caliente MILWAUKEE mantendrá la misma temperatura incluso cuando el flujo de aire disminuya o se vea restringido por el uso de boquillas accesorias.

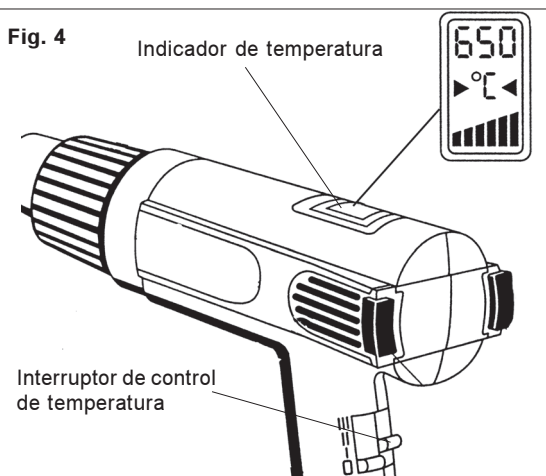
El Número de catálogo 8978 es una pistola de aire caliente de temperatura variable que va desde los 100° C hasta los 593° C (212° F et 1 100° F). El botón para ajustar el calor es un disco con números del 1 al 6 tal como se muestra. Los números menores corresponden a temperaturas más bajas, y los mayores, a temperaturas más altas. Para ajustar la temperatura, simplemente gire el disco hacia la izquierda o la derecha.

Cat. Nos. 8986-20 y 8988-20 (Fig. 4)

Estas pistolas de calor tienen un interruptor de control de temperatura variable, el cual permite que el usuario ajuste la temperatura para aplicaciones específicas.

El sistema electrónico de control de temperatura regula la temperatura dentro del elemento calefactor de la herramienta. A diferencia de las pistolas de calor no electrónicas, la pistola de calor electrónica de MILWAUKEE mantiene la misma temperatura aun cuando se reduce o restringe el flujo de aire con las boquillas. Consulte la tabla de flujo de aire/temperatura para obtener información sobre las diversas selecciones de flujo de aire y temperatura.

Fig. 4



En la herramienta Cat. No. 8988-20, un indicador de temperatura muestra la selección de temperatura de la pistola de calor.

- Deslice el interruptor de control de flujo de aire (interruptor azul) a la Posición II o III para hacer funcionar el interruptor de control de temperatura.
- Para ajustar la temperatura, deslice el interruptor de control de temperatura (interruptor rojo) a la posición deseada.

Para Cat. No. 8988-20, cuando el interruptor de control de temperatura está establecido en la posición deseada, la temperatura para dicha posición se mostrará en el indicador de temperatura. Después de 3 segundos, el indicador de temperatura mostrará la temperatura actual de la pistola de calor. El indicador de temperatura continuará mostrando la temperatura real a medida que la pistola de calor se ajuste a la temperatura deseada establecida por la posición del interruptor de control de temperatura.

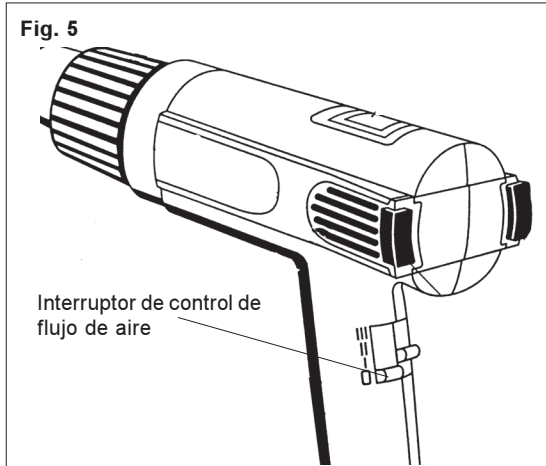
Selecciones de flujo de aire/temperatura (8986-20 y 8988-20)

Selección del interruptor de control de flujo de aire	Velocidad del ventilador de flujo de aire	Selección de temperatura mínima	Selección de temperatura máxima	Flujo de aire en selección de temperatura máxima
Posición I	Alta	32°C (90°F)	32°C (90°F)	7 CFM*
Posición II	Baja	32°C (90°F)	593°C (1 100°F)	8,8 CFM
Posición III	Alta	32°C (90°F)	593°C (1 100°F)	16 CFM

*Pies cúbicos por minuto

Uso del interruptor de control de flujo de aire (Fig. 5) (Cat. Nos. 8986-20 y 8988-20)

Estas pistolas de calor tienen tres selecciones de flujo de aire: alto sin calor, bajo con calor y alto con calor. Consulte la tabla de flujo de aire/temperatura para obtener información sobre las diversas selecciones de flujo de aire y temperatura.



1. Para obtener un flujo de aire alto sin calor, deslice el interruptor de control de flujo de aire (interruptor azul) a la Posición I.

NOTA: El interruptor de control de temperatura (interruptor rojo) no funcionará en esta posición.

2. Para obtener un flujo de aire bajo con calor, deslice el interruptor de control de flujo de aire (interruptor azul) a la Posición II. La temperatura se puede ajustar desde 32°C a 593°C (90°F a 1 100°F) con el interruptor de control de temperatura (interruptor rojo). El flujo de aire aumentará automáticamente a medida que aumente la temperatura.
3. Para obtener un flujo de aire alto con calor, deslice el interruptor de control de flujo de aire (interruptor azul) a la Posición III. La temperatura se puede ajustar desde 32°C a 593°C (90°F a 1 100°F) con el interruptor de control de temperatura (interruptor rojo). El flujo de aire aumentará automáticamente a medida que aumente la temperatura.
4. Para apagar la pistola de calor, deslice el interruptor de control de flujo de aire (interruptor azul) a la Posición 0.

Selección de temperaturas

La cantidad apropiada de calor que se requiere en cada tarea depende del margen de temperatura que se haya seleccionado, de la distancia entre la boquilla y la pieza de trabajo y de cuánto tiempo se aplique el calor. Experimente con materiales de desecho y empiece utilizando el margen de temperatura más bajo. Sea precavido al trabajar hasta que haya logrado la combinación de calor, distancia y tiempo de aplicación apropiada. Cuando aplique el calor, utilice un movimiento de atrás hacia adelante, a menos que el calor concentrado sea el que se desea.

Base de soporte (Cat. Nos. 8975 y 8977)

Los Cat. Nos. 8975 y 8977 cuentan con una base de soporte, que permite colocar la pistola en posición erguida, sobre una mesa de trabajo, para que pueda usted tener las dos manos libres. Cuando utilice los modelos 8975 y 8977 sobre una mesa de trabajo, coloque siempre la herramienta en una superficie lisa y coloque la base de soporte de modo que no vaya a abrirse. Coloque el cable en forma tal, que no haga que la pistola de aire caliente se voltee. Las rendijas de aire en la parte trasera de la pistola están diseñadas para permitir el flujo de aire incluso cuando la herramienta esté apoyada sobre la tapa del extremo; sin embargo, es importante no cubrir las rendijas de aire con materiales ajenos a la pistola como sería algún trapo. El Cat. No. 8978 tiene una parte plana que actúa como base de soporte. Coloque la herramienta sobre una superficie lisa asegurándose de que el cordón no haga que la pistola se caiga.

APLICACIONES



¡ADVERTENCIA!

Para reducir el riesgo de daños por calor, o lesiones personales, cubra los materiales combustibles y las áreas adyacentes a la pieza de trabajo. Proteja a los demás y a usted mismo contra los residuos de pintura caliente y polvo.

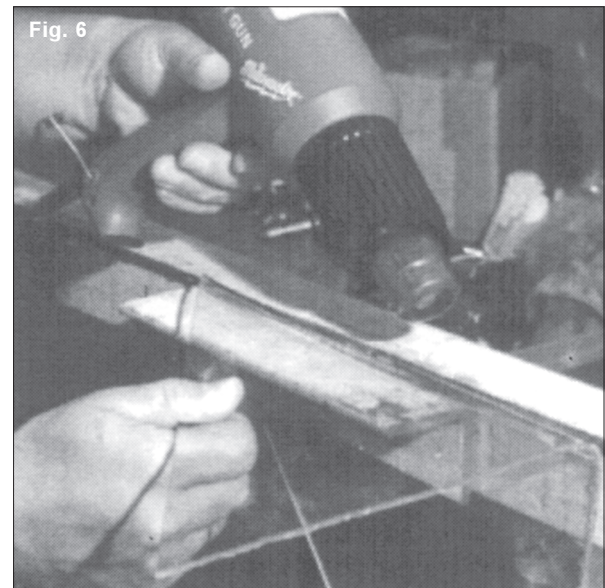
Remoción de pintura

Lea las instrucciones de seguridad respecto a remoción de pintura antes de proceder a remover la pintura.

1. Empiece a trabajar con la selección de temperatura baja.
2. Coloque la boquilla aproximadamente a 25 mm (1") de la superficie de trabajo.
3. Mueva la boquilla hacia adelante y hacia atrás sobre un área pequeña de la pieza de trabajo.
4. Aumente el calor gradualmente hasta que la pintura empiece a ampollarse, luego retire el calor.
5. Retire la pintura usando una espátula con borde filoso.

Creación de acodamientos (Fig. 6)

Las pistolas de calor de temperatura variable y de doble temperatura son ideales para crear acodamientos en plexiglás usado para guardas y accesorios.



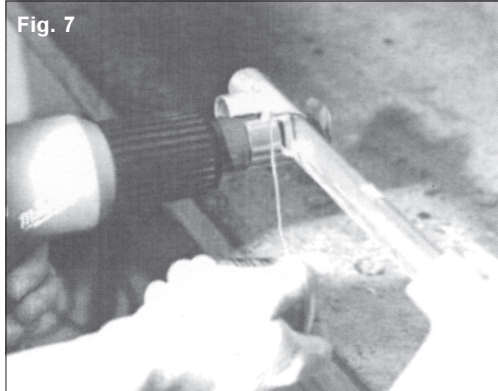
1. Para formar un acodamiento, use una selección de temperatura baja o alta. Cuando use temperatura baja, sujete la pistola de calor cerca de la pieza de trabajo y pase la boquilla lentamente en un movimiento hacia atrás y hacia adelante. Cuando use temperatura alta, sujete la pistola de calor más alejada de la pieza de trabajo y pase la boquilla rápidamente en un movimiento hacia atrás y hacia adelante.
2. Pase la boquilla sobre toda la superficie que desea acodar. Si aplica calor a una parte de la superficie solamente, el acodamiento será disparejo.

Corte de espuma de estireno

1. Para conectar la boquilla de corte de espuma de estireno, primero acople la boquilla reductora Cat. No. 49-80-0305 a la pistola de calor. Vea "Instalación de boquillas reductoras". Acople la boquilla para espuma de estireno a la boquilla reductora.
2. Para cortar espuma de estireno, use la selección de temperatura baja a media y aplique calor a la pieza de trabajo en el patrón deseado. La boquilla hace cortes rectos o curvos, corta agujeros y hace rebajos.

NOTA: Los olores y humo ligeros son normales y no son dañinos, siempre y cuando trabaje con ventilación adecuada. Corte a la máxima velocidad para evitar el desarrollo de humo y evitar que se sobrecaliente la boquilla. Lea las instrucciones de seguridad proporcionadas con el material que desea cortar.

Soldadura (Fig. 7)



1. Acople la boquilla reflectora de soldadura o la boquilla de enganche a la pistola de calor.
2. Quite las rebabas de la tubería y de la junta con papel de lija o lana de acero.
3. Para soldar con soldadora de plomo o soldadora sin plomo, recubra con flujo la tubería de cobre y la junta. Luego deslice la junta sobre la tubería.
4. Deslice la boquilla alrededor de la junta. Con la pistola de calor en la selección de temperatura alta, aplique calor a la junta.
5. Cuando el flujo tenga burbujas, añada la soldadura y coloque la pistola de calor de manera que el exceso de soldadura no gotee dentro de la pistola de calor.

Contracción térmica (Fig. 8)

1. Acople la boquilla reflectora de soldadura o la boquilla de enganche a la pistola de calor.
2. Para contraer térmicamente la tubería, use una selección de temperatura baja. Aplique calor a la pieza de trabajo con un movimiento de lado a lado hasta que el tubo se haya contraído. Retire el calor inmediatamente.





¡ADVERTENCIA!

Para reducir el riesgo de lesiones, desconecte siempre la herramienta antes de darle cualquier mantenimiento. Nunca desarme la herramienta ni trate de hacer modificaciones en el sistema eléctrico de la misma. Acuda siempre a un Centro de Servicio **MILWAUKEE** para **TODAS** las reparaciones.

Mantenimiento de las herramientas

Adopte un programa regular de mantenimiento y mantenga su herramienta en buenas condiciones. Antes de usarla, examine las condiciones generales de la misma. Inspeccione guardas, interruptores, el cable de la herramienta y el cable de extensión. Busque tornillos sueltos o flojos, defectos de alineación y dobleces en partes móviles, así como montajes inadecuados, partes rotas y cualquier otra condición que pueda afectar una operación segura. Si detecta ruidos o vibraciones anormales, apague la herramienta de inmediato y corrija el problema antes de volver a usarla. No utilice una herramienta dañada. Colóquese una etiqueta que diga "NO DEBE USARSE" hasta que sea reparada (vea "Reparaciones").



¡ADVERTENCIA!

Para reducir el riesgo de lesiones, descarga eléctrica o daño a la herramienta, nunca la sumerja en líquidos ni permita que estos fluyan dentro de la misma.

Limpieza

Limpie el polvo y suciedad de las ventilas. Mantenga las empuñaduras de la herramienta limpias, secas y libres de aceite y grasa. Use sólo jabón neutro y un trapo húmedo para limpiar su herramienta ya que algunas substancias y disolventes limpiadores pueden ocasionar daños a materiales plásticos y partes aislantes. Algunos de estos incluyen: gasolina, trementina, diluyente para barniz, diluyente para pintura, disolventes limpiadores clorados, amoníaco, y detergentes caseros que contengan amoníaco.

Reparaciones

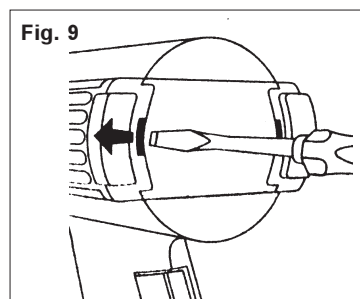
Si su instrumento se daña, vuelva el instrumento entero al más cercano centro de reparaciones.

Limpieza de filtros de aire (Fig. 9) (Cat. No. 8986-20 y 8988-20 solamente)

Los filtros de aire en estas pistolas de calor se pueden retirar para su limpieza.

1. Desenchufe la herramienta.
2. Para retirar el filtro de aire. Inserte un destornillador plano entre el alojamiento del motor y el filtro de aire, y afloje el filtro de aire separándolo de la parte posterior de la herramienta (Fig. 4).
3. Deslice el filtro de aire fuera de la parte posterior de la herramienta.
4. Retire la almohadilla de soporte del filtro de aire usando un destornillador.
5. Limpie el polvo o desechos del filtro de aire con agua tibia y un cepillo.
NOTA: Deje que el filtro de aire se seque antes de reinstalarlo.
6. Para reinstalar el filtro de aire, deslice el filtro de aire sobre las ranuras de la rejilla de entrada desde el extremo posterior de la herramienta. Deje que el filtro de aire encaje en su lugar.

Fig. 9



GARANTÍA LIMITADA DE CINCO AÑOS

Todas las herramientas **MILWAUKEE** se prueban antes de abandonar la fábrica y se garantiza que no presentan defectos ni en el material ni de mano de obra. En el plazo de cinco (5) años a partir de la fecha de compra **MILWAUKEE** reparará o reemplazará (a discreción de **MILWAUKEE**), sin cargo alguno, cualquier herramienta (cargadores de baterías inclusive) cuyo examen determine que presenta defectos de material o de mano de obra. Devuelva la herramienta, con gastos de envío prepagados y asegurada, y una copia de la factura de compra, u otro tipo de comprobante de compra, a una sucursal de reparaciones/ventas de la fábrica **MILWAUKEE** o a un centro de reparaciones autorizado por **MILWAUKEE**. Esta garantía no cubre los daños ocasionados por reparaciones o intentos de reparación por parte de personal no autorizado por **MILWAUKEE**, abuso, desgaste y deterioro normal, falta de mantenimiento o accidentes.

Las baterías, linternas y radios tienen una garantía de un (1) año a partir de la fecha de compra.

LOS DERECHOS A REPARACIÓN Y REEMPLAZO DESCRITOS EN EL PRESENTE DOCUMENTO SON EXCLUSIVOS. **MILWAUKEE** NO SERÁ EN NINGÚN CASO RESPONSABLE DE DAÑOS INCIDENTALES, ESPECIALES O CONSECUENTES, INCLUYENDO LA PÉRDIDA DE GANANCIAS.

ESTA GARANTÍA ES EXCLUSIVA Y SUSTITUYE A TODA OTRA GARANTÍA, O CONDICIONES, ESCRITAS U ORALES, EXPRESAS O IMPLÍCITAS DE COMERCIALIZACIÓN O IDONEIDAD PARA UN USO O FIN DETERMINADO.

Esta garantía le proporciona derechos legales específicos. Es posible que usted tenga otros derechos que varían de estado a estado y de provincia a provincia. En aquellos estados que no permiten la exclusión de garantías implícitas o la limitación de daños incidentales o consecuentes, las limitaciones anteriores pueden que no apliquen. Esta garantía es válida solamente en los Estados Unidos, Canadá y México.

ACCESORIOS



¡ADVERTENCIA!

Para reducir el riesgo de lesiones, desconecte siempre su herramienta antes de colocar o retirar un accesorio. Use solo accesorios recomendados específicamente. Otros pueden ser peligrosos.

Para una lista completa de accesorios, refiérase a su catálogo *MILWAUKEE* Electric Tool o visite nuestro sitio en Internet: www.milwaukeetool.com. Para obtener un catálogo, contacte su distribuidor local o uno de los centros.



Boquilla de enganche
Cat. No. 49-80-0292

La boquilla de enganche se usa para acodamiento circundante, soldar tuberías y aplicar calor a la tubería contraible.



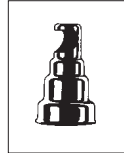
Boquilla reductora
Cat. No. 49-80-0297

Las boquillas reductoras intensifican la aplicación de calor en un área específica. Esta boquilla se puede usar para soldar.



Boquilla deflectora
Cat. No. 49-80-0293

La boquilla deflectora está diseñada para dirigir el flujo de aire a un ángulo de 90 grados desde la boquilla de la pistola de calor. Esto ayuda a minimizar el choque térmico causado por la rápida expansión del vidrio al suavizar masilla o remover pintura de ventanas.



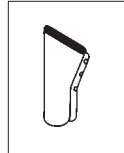
Boquilla reflectora para soldadura
Cat. No. 49-80-0307

La boquilla reflectora para soldadura es ideal para soldar juntas de tuberías de cobre y aplicar calor a tuberías contraibles.



Boquilla distribuidora de aire
Cat. No. 49-80-0294

La boquilla distribuidora de aire reduce el flujo de aire de un área circular a una línea ancha o angosta. Esta boquilla se usa para remover pintura y también se puede usar para suavizar y formar planchas termoplásticas, losetas de vinilo para piso, linóleo y fórmica.



Boquilla de ranuración
Cat. No. 49-80-0308

La boquilla de ranuración reduce el flujo de aire desde un área circular a una línea angosta. Esta boquilla se usa para soldadura a solape de planchas de PVC

NOTA: Se debe usar con la boquilla reductora Cat. No. 49-80-0305.



Boquilla reductora
Cat. No. 49-80-0305

Las boquillas reductoras intensifican la aplicación de calor en un área específica. Esta boquilla se usa para flexionar plexiglás, para soldar y para dirigir el calor hacia las esquinas.



Boquilla de corte
Cat. No. 49-80-0309

La boquilla de corte se usa para cortar espuma de estireno de hasta 102mm (4") de grosor. Se pueden hacer cortes rectos o curvos.

NOTA: Se debe usar con la boquilla reductora Cat. No. 49-80-0305.



Boquilla reductora
Cat. No. 49-80-0306

Las boquillas reductoras intensifican la aplicación de calor en un área específica. Esta boquilla se usa en aplicaciones similares como boquilla reductora.

UNITED STATES

MILWAUKEE Service

MILWAUKEE prides itself in producing a premium quality product that is **NOTHING BUT HEAVY DUTY®**.

Your satisfaction with our products is very important to us!

If you encounter any problems with the operation of this tool, or you would like to locate the *factory Service/Sales Support Branch* or *authorized service station* nearest you, please call...

1-800-SAWDUST

(1.800.729.3878)

NATIONWIDE TOLL FREE

Monday-Friday • 8:00 AM - 4:30 PM • Central Time
or visit our website at

www.milwaukeetool.com

For service information, use the 'Service Center Search' icon found in the 'Parts & Service' section.

Additionally, we have a nationwide network of *authorized* Distributors ready to assist you with your tool and accessory needs. Check your "Yellow Pages" phone directory under "Tools-Electric" for the names & addresses of those nearest you or see the 'Where To Buy' section of our website.

Corporate After Sales Service - Technical Support
Brookfield, Wisconsin USA

•Technical Questions •Service/Repair Questions •Warranty

1-800-SAWDUST

(1.800.729.3878)

fax:1.800.638.9582

email: metproductsupport@milwaukeetool.com

Monday-Friday • 8:00 AM - 4:30 PM • Central Time

CANADA

Service MILWAUKEE

MILWAUKEE est fier de proposer un produit de première qualité **NOTHING BUT HEAVY DUTY®**. Votre satisfaction est ce qui compte le plus!

En cas de problèmes d'utilisation de l'outil ou pour localiser le centre de service/ventes ou le *centre d'entretien* le plus proche, appelez le...

416.439.4181

fax: 416.439.6210

Milwaukee Electric Tool (Canada) Ltd

755 Progress Avenue

Scarborough, Ontario M1H 2W7

Notre réseau national de distributeurs *agréés* se tient à votre disposition pour fournir l'aide technique, l'outillage et les accessoires nécessaires. Composez le 416.439.4181 pour obtenir les noms et adresses des revendeurs les plus proches ou bien consultez la section «Où acheter» sur notre site web à l'adresse

www.milwaukeetool.com

MEXICO

Servicios de MILWAUKEE

Milwaukee Electric Tool

Bvd. Abraham Lincoln no. 13

Colonia Los Reyes Zona Industrial

Tlalnepantla, Edo. México C.P. 54073

Tel. 55 5565-1414 Fax: 55 5565-6874

Adicionalmente, tenemos una red nacional de distribuidores autorizados listos para ayudarle con su herramienta y sus accesorios. Por favor, llame al 55 5565-1414 para obtener los nombres y direcciones de los más cercanos a usted, o consulte la sección 'Where to buy' (Dónde comprar) de nuestro sitio web en

www.milwaukeetool.com

MILWAUKEE ELECTRIC TOOL CORPORATION

13135 West Lisbon Road • Brookfield, Wisconsin, U.S.A. 53005