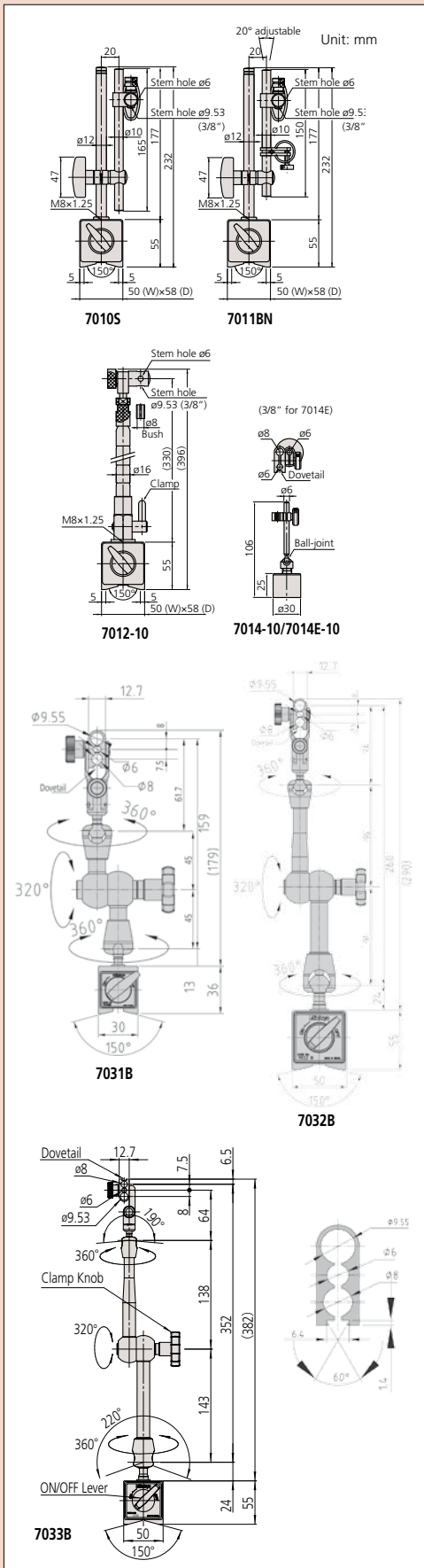
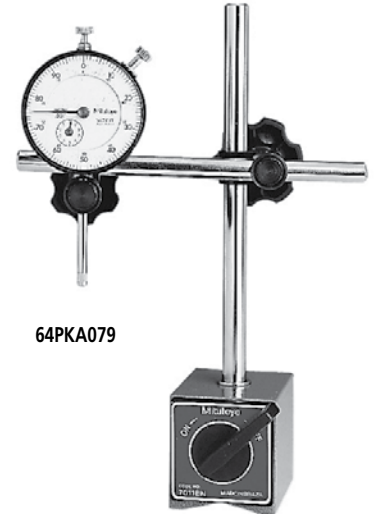


DIMENSIONS



Dial/Test Indicator & Magnetic Stand Sets

SERIES 7



SPECIFICATIONS

Set No.	Included in set
64PKA078*	2804S-10, 7010S
64PKA079*	2416S, 7010S
513-907	513-402, 7014E-10
513-908	513-404E, 7014-10

*Supplied with collar 02AZC291

Magnetic Stands

SERIES 7

Mitutoyo's Magnetic Stands accept all dial indicators and dial test indicators. The On-Off switch offers instant mounting and dismounting without any adverse effect to the indicators or workpiece surface.



No magnet force On/Off

SPECIFICATIONS

Order No.	Description	Applicable holding stem dia.	Dovetail groove	Remarks
7010S	Magnetic stand	$\phi 6\text{mm}$, $\phi 8\text{mm}^*$, $\phi 9.53\text{mm}$ (3/8")	—	—
7011BN	Magnetic stand	$\phi 6\text{mm}$, $\phi 8\text{mm}^*$, $\phi 9.53\text{mm}$ (3/8")	—	With fine adjustment
7011S-10	Magnetic stand	$\phi 4\text{mm}$, $\phi 8\text{mm}$, $\phi 9.53\text{mm}$ (3/8")	—	With fine adjustment
7012-10	Magnetic flexi-stand	$\phi 6\text{mm}$, $\phi 8\text{mm}^*$, $\phi 9.53\text{mm}$ (3/8")	—	For dial test indicator
7014-10	Mini magnetic stand	$\phi 6\text{mm}$, $\phi 8\text{mm}$	Provided	Without magnet ON/OFF
7014E-10	Mini magnetic stand	$\phi 6\text{mm}$, $\phi 8\text{mm}^*$, $\phi 9.53\text{mm}$ (3/8")	Provided	Without magnet ON/OFF
7031B	Universal magnetic stand	$\phi 6\text{mm}$, $\phi 8\text{mm}$, $\phi 9.53\text{mm}$ (3/8")	Provided	With mechanical locking system
7032B	Universal magnetic stand	$\phi 6\text{mm}$, $\phi 8\text{mm}$, $\phi 9.53\text{mm}$ (3/8")	Provided	With mechanical locking system
7033B	Universal magnetic stand	$\phi 6\text{mm}$, $\phi 8\text{mm}$, $\phi 9.53\text{mm}$ (3/8")	Provided	With mechanical locking system

*Supplied with collar 02AZC291

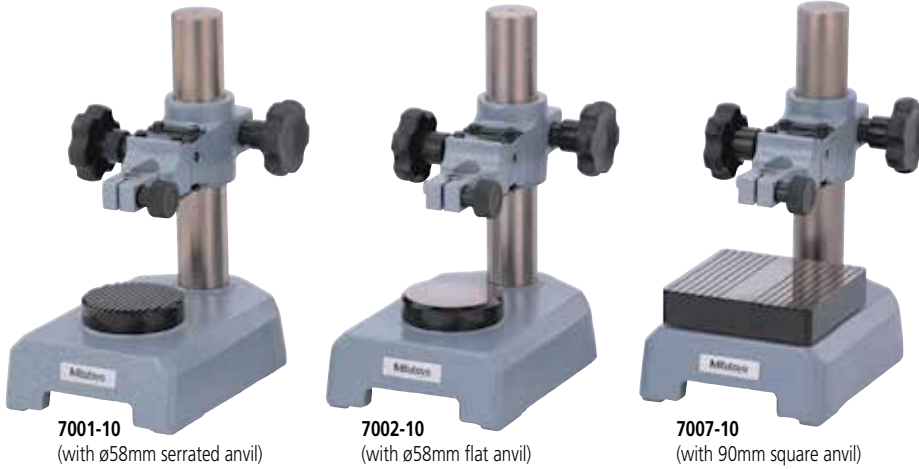
Mitutoyo

Dial Gage Stands

SERIES 7

FEATURES

- Dial Gage Stands are designed for comparison measurements of size using a dial indicator or Digimatic Indicator.
- Anvil of 7001-10 and 7002-10: $\phi 58\text{mm}$
Anvil of 7007-10: 90mm square
- Vertical fine adjustment is available with one-touch control thanks to the parallel spring suspension.

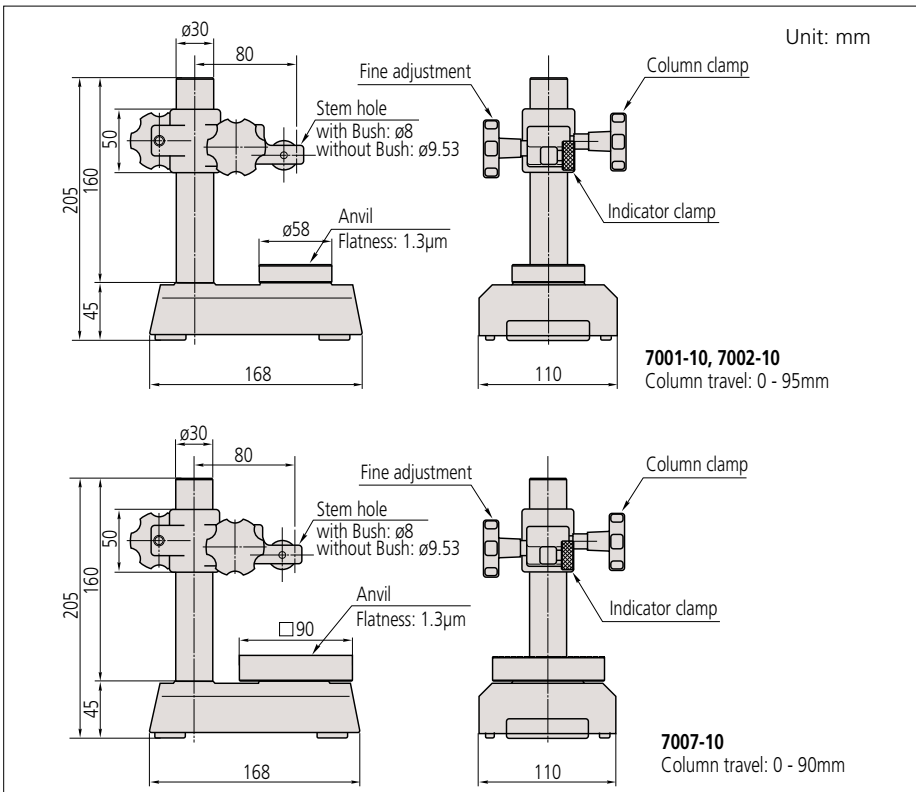


SPECIFICATIONS

Metric

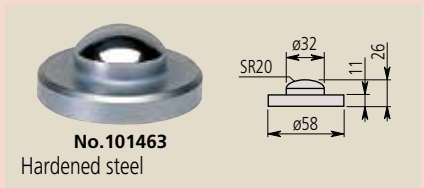
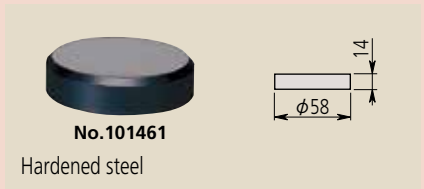
Order No.	Stem hole	Remarks	Mass(g)
7001-10	$\phi 8\text{mm}$, $\phi 9.53\text{mm}$	With serrated anvil (101462)	4
7002-10	$\phi 8\text{mm}$, $\phi 9.53\text{mm}$	With flat anvil (101461)	4
7007-10	$\phi 8\text{mm}$, $\phi 9.53\text{mm}$	With square anvil	5

DIMENSIONS



Optional Accessories

- 101461:** Hardened-steel flat anvil
 - 101462:** Hardened-steel serrated anvil
 - 101463:** Hardened-steel domed anvil*
- *Not available for 7007-10.



Transfer Stands

SERIES 519

FEATURES

- Transfer Stands are designed for comparison measurements of size using a dial indicator or Digimatic Indicator.

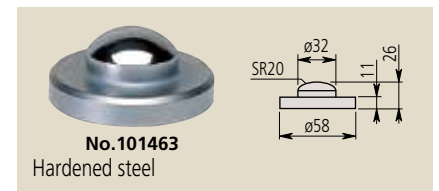
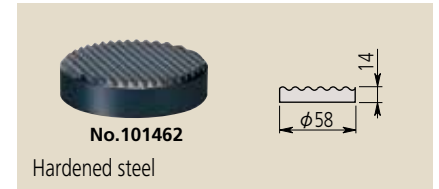


519-109-10
(with a serrated anvil)

Optional Accessories

101461: Hardened-steel flat anvil

101463: Hardened-steel domed anvil

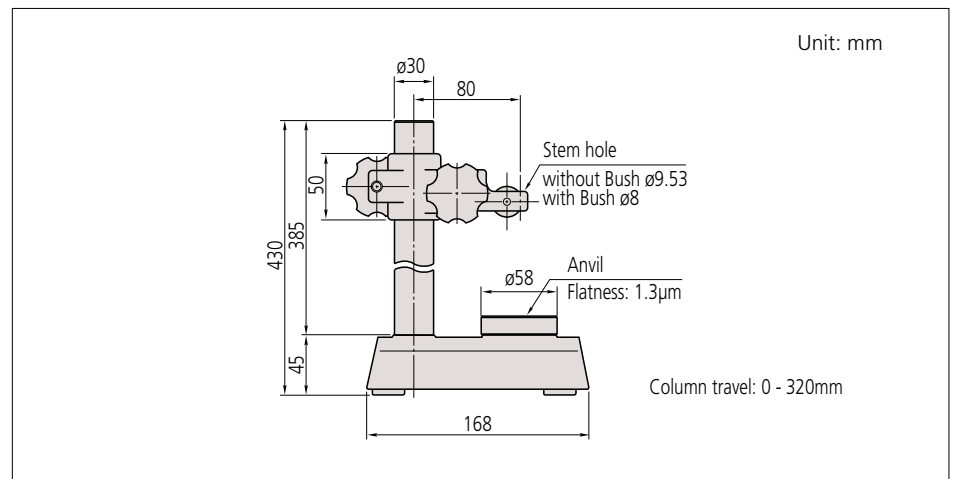


SPECIFICATIONS

Metric

Order No.	Stem hole	Remarks
519-109-10	ø8mm, ø9.53mm	With serrated anvil (101462)

DIMENSIONS



Granite Comparator Stands

SERIES 215

FEATURES

- Easy maintenance due to the non-rusting base.
- The rigid granite base is free from burrs and pileups due to its fine-grain composition and less viscousness compared with casting iron. The flatness is always accurate and the workpiece is free from damage.



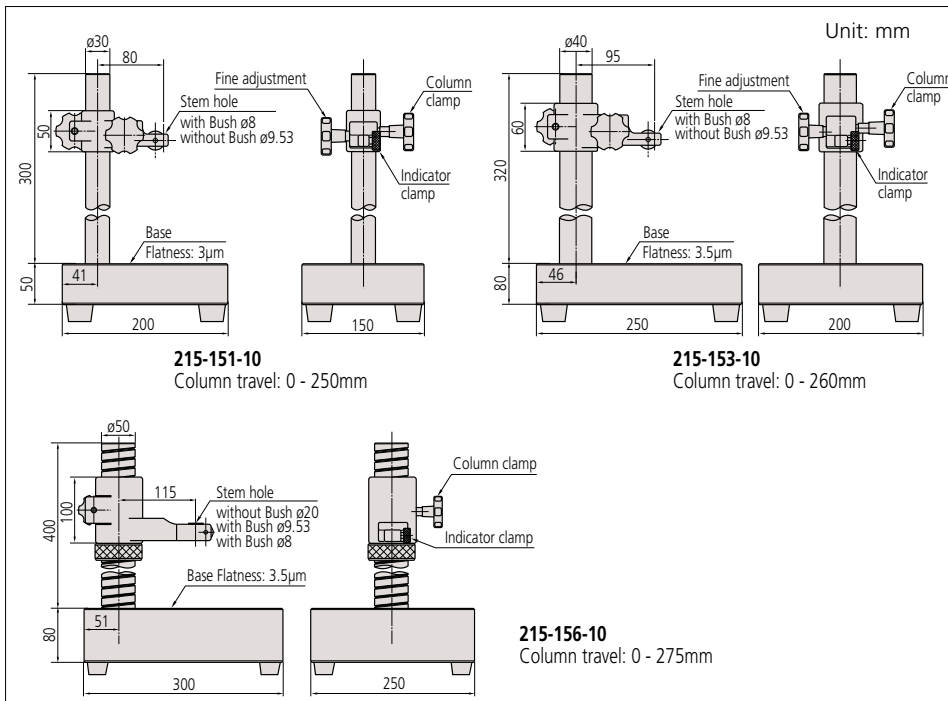
Optional Accessories

- 21JAA329: ø8mm bush
 - 21JAA330: ø9.53mm bush
 - 21JAA331: ø15mm bush
- only available for 215-156-10

SPECIFICATIONS

Order No.	Granite base size (W x D x H)	Column travel	Stem hole	Remarks
215-151-10	150 x 200 x 50mm	250mm	ø8mm, ø9.53mm	With fine adjustment of 1mm range
215-153-10	200 x 250 x 80mm	260mm	ø8mm, ø9.53mm	With fine adjustment of 1mm range
215-156-10	300 x 250 x 80mm	275mm	ø8mm, ø9.53mm, ø20mm	With fine adjustment over the entire travel

DIMENSIONS



Comparator Stands

SERIES 215

FEATURES

- Comparator Stands have a stable, cast-iron base which enables precise measurement.
- The partially serrated anvil prevents flat workpieces from wringing to it and the 2.3 μ m flatness (or better) promotes accurate measurement.
- The **215-505-10** model has a threaded column which enables easy and precise coarse adjustment.
- Serrated anvils 110x110mm are supplied with **215-405-10**, and 150x150mm with **215-505-10** models.



Application example using Digimatic Indicator ID-H.



215-405-10

SPECIFICATIONS

Order No.	Square anvil size (W x D)	Column travel	Stem hole	Remarks
215-405-10	110 x 110mm	235mm	\varnothing 8mm, \varnothing 9.53mm	With fine adjustment of 1mm range
215-505-10	150 x 150mm	275mm	\varnothing 8mm, \varnothing 9.53mm, \varnothing 20mm	With fine adjustment over the entire travel

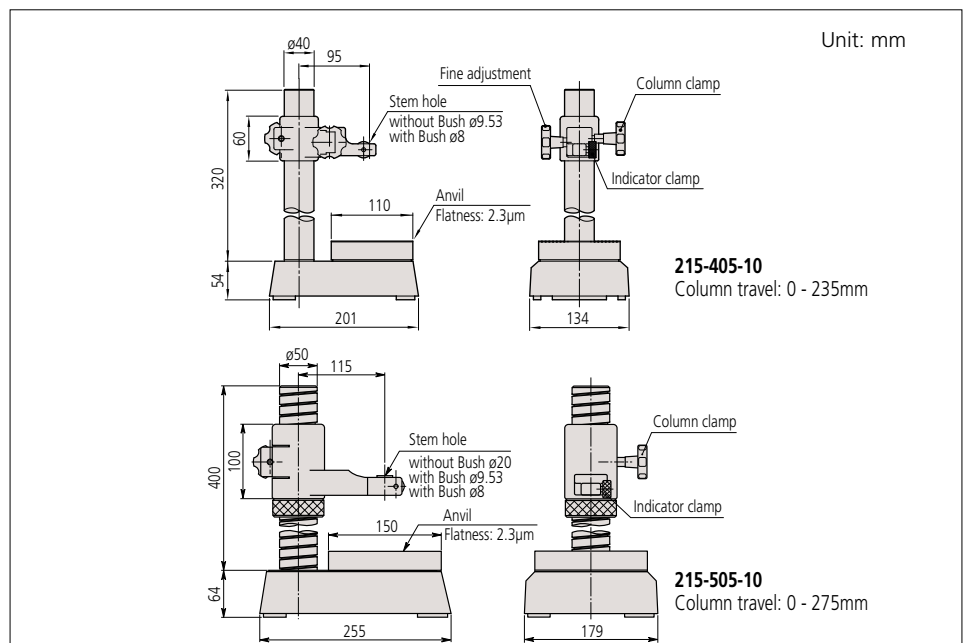
* Perpendicularity of the mounting hole to the anvil: less than 0.4mm/100mm

Optional Accessories

- 21JAA329: \varnothing 8mm bush*
- 21JAA330: \varnothing 9.53mm (3/8") bush*
- 21JAA331: \varnothing 15mm bush*

* Only available for 215-505-10.

DIMENSIONS



Precision Granite Stands (with black granite bases)

SERIES 517

FEATURES

Mitutoyo's Granite Comparator Stands are basic building blocks for the assembly of special purpose, precision measuring equipment. By mounting precision measuring instruments such as Digimatic indicators, Mu-Checker Cartridge Heads and Linear Gages on the stands, it is possible to satisfy all manners of measuring assignment. The rigid granite base is free from burrs, pileups and rust, thereby preventing deterioration over time.



Optional Accessories

012580: Holder for Lug-Back indicator

SPECIFICATIONS

Order No.	Base	Column Diameter	Column Height	Throat Clearance	Table Flatness	Table Thickness	Weight
517-890	6 x 8"	1.181"	6"	4.375"	.0001"	2"	18 lbs
517-891	6 x 8"	1.181"	8"	4.375"	.0001"	2"	19 lbs
517-892	6 x 8"	1.181"	12"	4.375"	.0001"	2"	20 lbs
517-893	6 x 8"	1.181"	18"	4.375"	.0001"	2"	21 lbs
517-895	8 x 12"	1.181"	6"	5.8"	.0001"	2"	29 lbs
517-896	8 x 12"	1.181"	8"	5.8"	.0001"	2"	30 lbs
517-897	8 x 12"	1.181"	12"	5.8"	.0001"	2"	31 lbs
517-898	8 x 12"	1.181"	18"	5.8"	.0001"	2"	32 lbs
517-899	8 x 12"	1.181"	24"	5.8"	.0001"	2"	35 lbs

