

DRO Packages, Parts & Digimatic Scale Units Price List 2014

Bulletin No. 2142



Effective April 1, 2014

Mitutoyo

Section Heading	Page
DRO System	3
Functions KA Counter, KLD Counter	4
Specifications	
KA Counter	5
KLD Counter	6
AT715 Electro-Magnetic Linear Scales	7-8
Packages for Milling System	
Electro-Magnetic ABSOLUTE® DRO System Package (Using KA Counter and AT715 Linear Scales)	9
Mounting & Counter Display Brackets	10
All Brackets	11
Packages for Grinder System	
Glass Linear Scale Package (Using KA Counter and AT116 Linear Scales)	12
Mounting Brackets	13
Packages for Lathe System	
Electro-Magnetic ABSOLUTE® DRO and Glass Linear Scale System Package (Using KA Counter, AT116, and AT715 Linear Scales)	14
Brackets	15
Glass Linear Scales	16-25
Optional Accessories	26
Adapter Cross Reference	27
Quill Kit for Milling Machines	27
Digimatic Scale Units and SD scale	28-31
PSU-200 Pulse Signal Conversion Interface	32-33
Replacement Parts	34
Linear Scale Quotation Worksheet	35
DRO System Price List	36-46
Contact Information	47

ABSOLUTE® DRO
Electro-Magnetic Linear Scale

AT715

From 100mm up to 3,000mm



IP67

TRUE ABSOLUTE® Linear Scale
IP-67 Coolant Proof

Display Units

KA Counter

Standard Type for
Milling Machine, Grinders & Lathes
mm/inch 2-AXIS
3-AXIS



Glass Linear Scale

AT116

Slim Spar
From 100mm up to 1,500mm
Standard Accuracy only



Glass Linear Scale

AT103

Standard-size Spar
From 100mm up to 6,000mm
Standard and High-Accuracy



Glass Linear Scale

AT113

Slim Spar
From 100mm up to 1,500mm
Standard and High-Accuracy



Glass Linear Scale

AT112F

Super-Slim Spar
From 50 mm up to 1,020mm
High-Accuracy



Glass Linear Scale

AT181

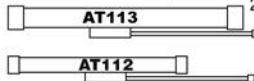
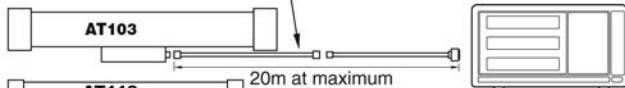
Plunger Type
From 100mm up to 600mm
Standard and High-Accuracy



Extension Cables

Type A†

2m (09AAA033A)
5m (09AAA033B)
7m (09AAA033C)

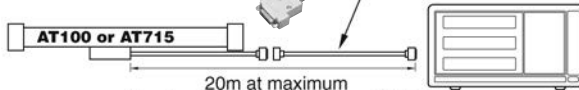


†With water-proof connectors
(Not available on AT115 or AT116)



Type B*





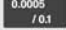















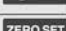
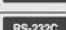




2m (09AAB674A)
5m (09AAB674B)
7m (09AAB674C)



* Notes:
09AAB674A to C connectable to AT715, AT115, AT116
and other AT100 series scales

Types of Display Units

Functions

Function		Counter	KA Counter	KLD-200 Counter
				
Zero-setting		●	●	●
Preset		●	●	●
Resolution setting		●	●	●
Measurement direction setting		●	●	●
mm/inch conversion		●	●	●
Diameter display		●	●	●
Scale reference point setting ¹		●	●	●
1/2 calculation		●	●	●
Coordinate system switching		●	●	—
Bolt-hole circle machining		● ⁻²	—	—
Pitch machining		●	—	—
Zero approach machining (INC mode)		●	—	—
Addition of 2-scale data		● ⁻³	—	—
Linearity error compensation		●	●	●
Smoothing		●	●	●
Memory backup		●	●	●
Expansion/contraction coefficient setting		—	●	●
Lower digit blanking out		●	●	●
Touch-signal probe connection ⁴		▲	▲	▲
External zero-setting		▲ ⁻⁵	●	●
RS-232C interface unit		▲	●	●
Limit signal output		—	●	●
Error message		●	●	●
Memorization of machining reference point for each cutting tool ⁶		●	—	—

●: Standard function, ▲: Optional function, —: Not available

-1: Not available when connecting with AT715 -2: Not available in single axis use
 -4: Not available when connecting with AT715 and touch-signal probe is optional.

-3: Only available for 3-axis model
 -5: RS-232C interface unit (09CAB217) is required.

-6: for KA counter

Features

- Bolt Hole Circle Calculation
- Diameter Display and Tool Off Sets (Parameter Mode)
- Memory compensation value
- Ten Tool Coordinates (1 Absolute and 9 incremental)
- Preset
- Detection reference (When connecting AT100 Series)
- Hold reference (When connecting AT100 Series)
- Zero Approach Machining
- Pitch Approach Machining
- 1/2 Calculation
- mm/inch



Affordable price and High Performance Counter

Has both Mill and Lathe functions

Connectable with AT715 Scales as electromagnetic induction system and AT100 Series scales as photoelectric system

Specifications

Connectable Linear Scale	AT715 and AT100 Series
Standard Resolution	.001"/.0005"/.0002"/.0001"/.00005"/.00002" (0.010mm/0.005mm/0.002mm/ 0.001mm/ 0.0005mm); When connecting AT715 and AT100 Series .002"/.0010"/.0005"/.0004"/.0002"/.0001"/.00004" (0.020mm/0.010mm/0.004mm/0.002mm/ 0.001mm); When connecting AT715 and AT100 Series (DIA.)
High Resolution	.0001"/.00005"/.00002"/.00001"/.000005" (0.0010mm/0.0005mm/0.0002mm/0.0001mm); When connecting AT100 Series .0002"/.00010"/.00005"/.00004"/.00002"/.000010" (0.0020mm/0.0010mm/0.0004mm/0.0002mm) When connecting AT100 Series (DIA.)
Display	Seven Segment Green LED
Unit	Inch / metric
Display Range	X, Y, Z Axis +/-999.9999" +/-9999.999mm
Power Supply	AC 100V to 240V (50/60Hz)
Output	RS-232C code out unit (Optional)
Dimensions (WXHxD)	10.24"(W) X 6.61"(H) X 3.2"(D) / 260mm(W) X 168mm(H) X 80mm(D)

Order Number

Order No.	Axis	Model Name	List Price
174-173A	2	KA-12	\$587.00
174-175A	3	KA-13	\$864.00

Optional Accessories

Order No.	Description	List Price
09CAB217	RS-232C Code out unit	\$259.00
12AAA882	RS-232C CONNECTING CABLE	\$103.00
64AAB336	RS-232C Footswitch (use w/09CAB217)	\$77.30
06ACF941	EXTERNAL CABLE	\$213.00
965004	RS-232C EXT.LOAD FOOT SWITCH	\$131.00
264-504-5A	DP-1VR, 120V AC	\$494.00
09EAA094	RS-232C CONNECTING CABLE TO DP-1VR	\$300.00
06ACB391	Adapter cable for connecting AT211, AT202, AT212	\$331.00
06ACB392	Adapter cable for connecting exposed linear scales such as ST46EZA, etc.	\$331.00
06ACB393	Adapter cable for connecting Linear Gages with origin point (542 series)	\$331.00
06ACB913	Adapter cable for connecting Linear Gages without origin point (542 series)	\$331.00

SERIES 174 — Special Purpose Type with Limit Signal Output

Features

- A 1-axis counter dedicated to sending signals when a linear scale displacement value and a preset limit value coincide.
- Two types of limit settings are available: 2 steps, 4 steps.
- Connectable with AT715 electromagnetic scale or AT100 series glass scale.
- For controlling a vertical position of an EDM or a grinding machine.
- Can be connected to a personal computer or a sequencer via an RS-232C interface or limite signal output (standard feature)

Specifications

Order No.	174-146A	174-147A
Limit signal output	2-step	4-step
Limit value setting method	Digital switch	Digital switch

Technical Data: Common

Limit signal output: 2-step, 4-step
 Scale input ports: 1
 Resolution: 0.0005mm, 0.001mm, 0.002mm, 0.005mm, 0.01mm .00002", .00005", .0001", .0002", .0005", .001"
 Display: 9-digit LED and a negative [-] sign
 Limit value setting method: Digital switch, Ten-keyboard
 Mass: 4.5kg

Optional Accessories

965004: External load foot switch*
 937326: External load box*
 936551: External zero-set box



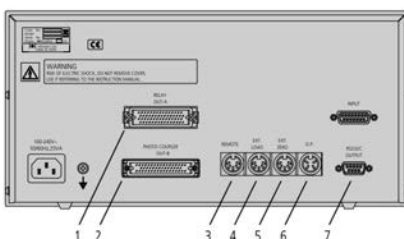
174-146A (2-step model)



174-147A (4-step model)

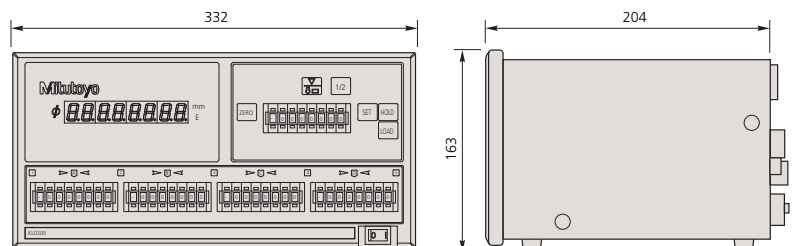
Order Number

Order No.	Model	List Price
174-146A	KLD-212	\$2,670.00
174-147A	KLD-214	\$2,720.00



- 1: Relay signal output
- 2: Photocoupler signal output
- 3: Remote signal input
- 4: External load signal input
- 5: External zero-set signal input
- 6: Touch signal input
- 7: RS-232C interface
- 8: Relay signal output

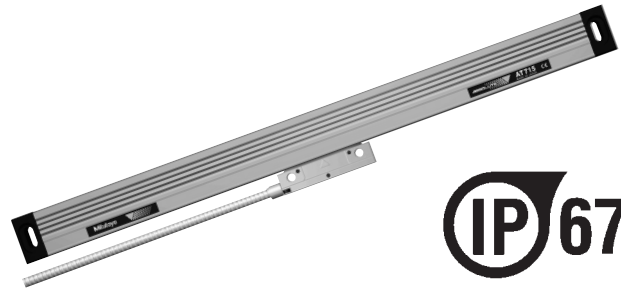
Dimensions



AT715 Linear Scale

Using new electromagnetic induction detection method with improved reliability and improved contamination protection. New IP-67 rating means Linear Scale is submersible in water and coolant.

True Absolute Scale Technology means original part datum point is never lost even when power is off.



Specifications

Detection Method	Electromagnetic Induction System
Interface	Mitutoyo Original Serial Interface (Connectable only to KA Counter)
Effective Length	4" (100mm) to 120" (3000mm)
Accuracy (20°C)	0-500mm ±5µm 600-1800mm ±7µm 2000 - 3000mm ±10µm
Resolution	See KA counter Resolution (Page 5)
Response Speed	50 m/min
Dust / Water Proof	IP-67

Optional Extension Cables

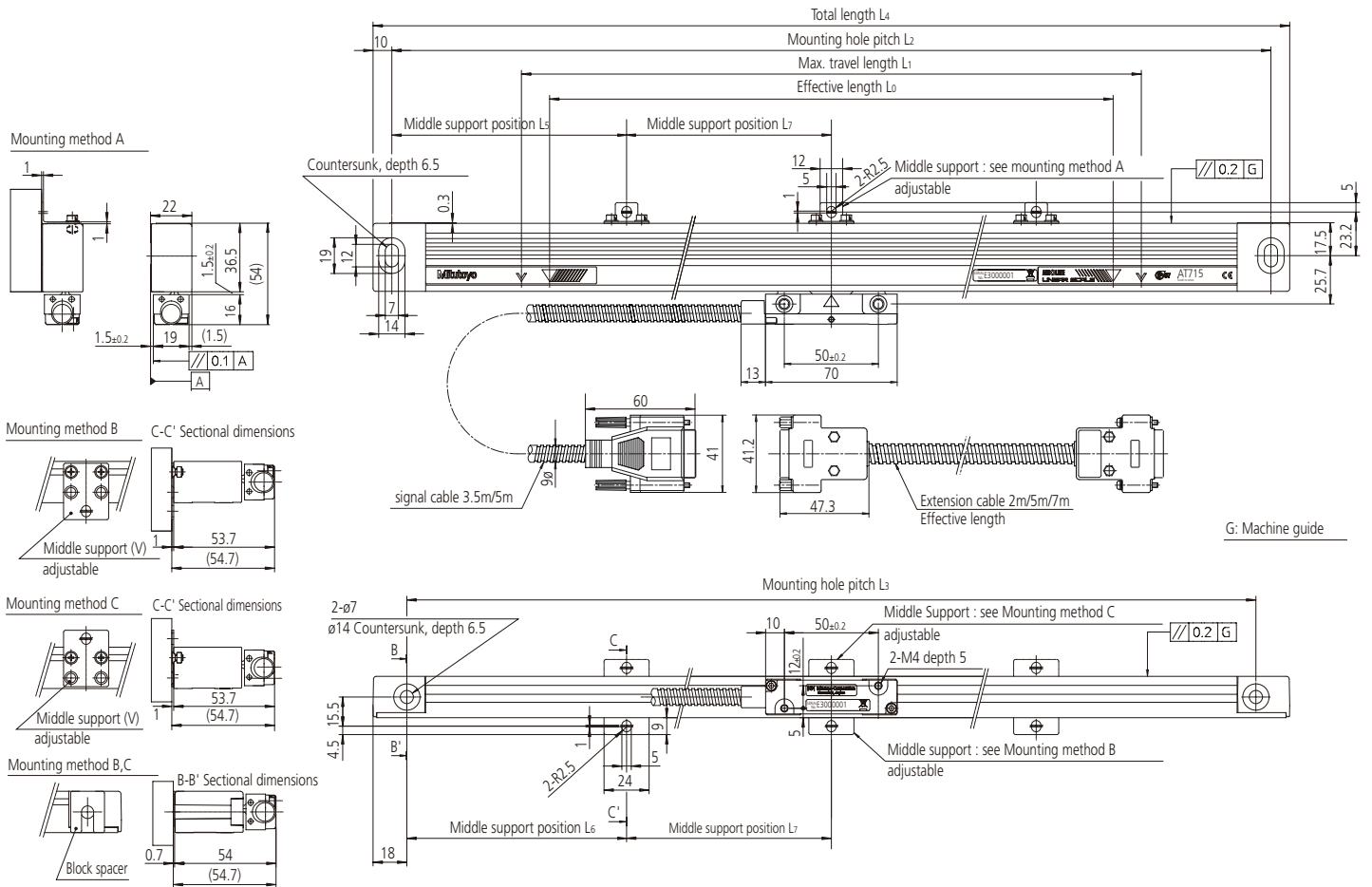
Code No.	Description	List Price
09AAB674A	Extension Cable 6.5 ft. (2m)	\$108.00
09AAB674B	Extension Cable 16.4 ft. (5m)	\$147.00
09AAB674C	Extension Cable 22.9 ft. (7m)	\$176.00

Note: connectable to AT715, AT115, AT116 and other AT100 Series scales

Order Number

Order No.	L ₀ : Effective length inch(mm)	L ₁ : Maximum travel length inch(mm)	L ₂ : Mounting hole pitch inch(mm)	L ₃ : Mounting hole pitch inch(mm)	L ₄ : Total length inch(mm)	L ₅ : Middle support position inch(mm)	L ₆ : Middle support position inch(mm)	L ₇ : Middle support position inch(mm)	Cable inch(m)	List Price
539-801	4"(100)	4.72"(120)	10.16"(258)	9.53"(242)	10.94"(278)	—	—	—	138"(3.5)	\$296.00
539-802	6"(150)	6.69"(170)	12.13"(308)	11.50"(292)	12.91"(328)	—	—	—	138"(3.5)	\$296.00
539-803	8"(200)	8.66"(220)	14.09"(358)	13.46"(342)	14.88"(378)	—	—	—	138"(3.5)	\$299.00
539-804	10"(250)	10.63"(270)	16.06"(408)	15.43"(392)	16.85"(428)	—	—	—	138"(3.5)	\$299.00
539-805	12"(300)	12.99"(330)	18.43"(468)	17.80"(452)	19.21"(488)	—	—	—	138"(3.5)	\$299.00
539-806	14"(350)	14.96"(380)	20.39"(518)	19.76"(502)	21.18"(538)	—	—	—	138"(3.5)	\$302.00
539-807	16"(400)	16.93"(430)	22.36"(568)	21.73"(552)	23.15"(588)	—	—	—	138"(3.5)	\$306.00
539-808	18"(450)	18.90"(480)	24.33"(618)	23.70"(602)	25.12"(638)	—	—	—	138"(3.5)	\$312.00
539-809	20"(500)	21.26"(540)	26.69"(678)	26.06"(662)	27.48"(698)	13.35"(339)	13.03"(331)	—	138"(3.5)	\$315.00
539-811	24"(600)	25.20"(640)	30.63"(778)	30.00"(762)	31.42"(798)	15.31"(389)	15.00"(381)	—	138"(3.5)	\$321.00
539-813	28"(700)	29.13"(740)	34.57"(878)	33.94"(862)	35.35"(898)	17.28"(439)	16.97"(431)	—	138"(3.5)	\$327.00
539-814	30"(750)	30.71"(780)	36.14"(918)	35.51"(902)	36.93"(938)	18.07"(459)	17.76"(451)	—	138"(3.5)	\$332.00
539-815	32"(800)	33.07"(840)	38.50"(978)	37.87"(962)	39.29"(998)	19.25"(489)	18.94"(481)	—	138"(3.5)	\$334.00
539-816	36"(900)	37.01"(940)	42.44"(1078)	41.81"(1062)	43.23"(1098)	21.22"(539)	20.91"(531)	—	138"(3.5)	\$365.00
539-817	40"(1000)	40.94"(1040)	46.38"(1178)	45.75"(1162)	47.17"(1198)	23.19"(589)	22.87"(581)	—	197"(5)	\$379.00
539-818	44"(1100)	44.88"(1140)	50.31"(1278)	49.69"(1262)	51.10"(1298)	16.69"(424)	16.38"(416)	16.93"(430)	197"(5)	\$430.00
539-819	48"(1200)	48.82"(1240)	54.25"(1378)	53.62"(1362)	55.04"(1398)	18.07"(459)	17.76"(451)	18.11"(460)	197"(5)	\$482.00
539-820	52"(1300)	52.76"(1340)	58.19"(1478)	57.56"(1462)	58.98"(1498)	19.45"(494)	19.13"(486)	19.29"(490)	197"(5)	\$535.00
539-821	56"(1400)	56.69"(1440)	62.13"(1578)	61.50"(1562)	62.91"(1598)	20.63"(524)	20.31"(516)	20.87"(530)	197"(5)	\$585.00
539-822	60"(1500)	60.63"(1540)	66.06"(1678)	65.43"(1662)	66.85"(1698)	22.01"(559)	21.69"(551)	22.05"(560)	197"(5)	\$649.00
539-823	64"(1600)	64.57"(1640)	70.00"(1778)	69.37"(1762)	70.79"(1798)	18.07"(459)	17.76"(451)	16.93"(430)	197"(5)	\$727.00
539-824	68"(1700)	68.50"(1740)	73.94"(1878)	73.31"(1862)	74.72"(1898)	18.86"(479)	18.54"(471)	18.11"(460)	197"(5)	\$803.00
539-825	72"(1800)	72.44"(1840)	77.87"(1978)	77.24"(1962)	78.66"(1998)	18.07"(459)	17.76"(451)	20.87"(530)	197"(5)	\$880.00
539-860	80"(2000)	80.31"(2040)	85.75"(2178)	85.12"(2162)	86.54"(2198)	21.22"(539)	20.91"(531)	21.65"(550)	197"(5)	\$1,340.00
539-861	88"(2200)	88.19"(2240)	93.62"(2378)	92.99"(2362)	94.41"(2398)	18.46"(469)	18.15"(461)	18.90"(480)	197"(5)	\$1,430.00
539-862	96"(2400)	96.06"(2440)	101.50"(2578)	100.87"(2562)	102.28"(2598)	20.04"(509)	19.72"(501)	20.47"(520)	276"(7)*	\$1,720.00
539-863	100"(2500)	100.00"(2540)	105.43"(2678)	104.80"(2662)	106.22"(2698)	20.83"(529)	20.51"(521)	21.26"(540)	276"(7)*	\$1,760.00
539-864	104"(2600)	103.94"(2640)	109.37"(2778)	108.74"(2762)	110.16"(2798)	21.61"(549)	21.30"(541)	22.05"(560)	276"(7)*	\$1,800.00
539-865	112"(2800)	111.81"(2840)	117.24"(2978)	116.61"(2962)	118.03"(2998)	19.25"(489)	18.94"(481)	19.69"(500)	276"(7)*	\$1,920.00
539-866	120"(3000)	119.68"(3040)	125.12"(3178)	124.49"(3162)	125.91"(3198)	20.83"(529)	20.51"(521)	20.87"(530)	276"(7)*	\$2,140.00

* Total cable length is due to the combination of the signal cable (5m) and extension cable (2m)

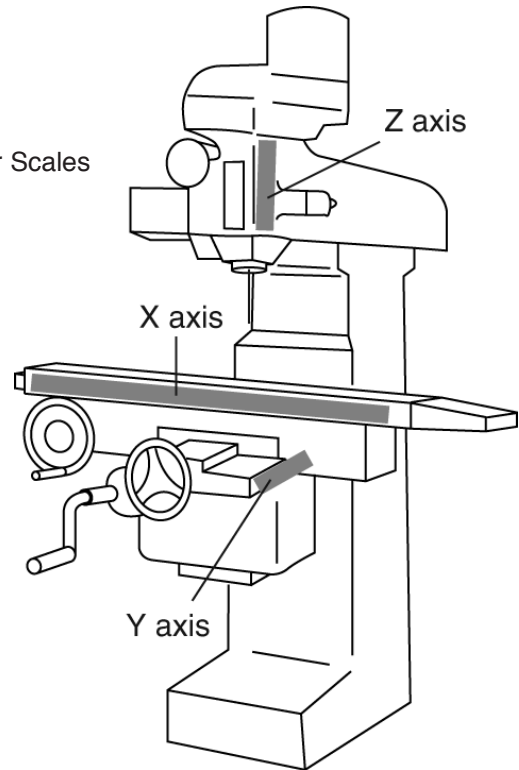


Using KA Counter and AT715 Linear Scales

2 Axis, KA Counter Milling System

Package Includes:

- KA Counter
 - AT715 Electro-Magnetic Absolute Linear Scales
 - Brackets for Linear Scales
 - Display Arm Kit
- (refer to Page 10)



Milling Machine System Packages

X Axis Travel	Y Axis Travel			
	12"	14"	16"	18"
30"	64PKA058 \$1,490.00	64PKA060 \$1,490.00	-	-
36"	64PKA059 \$1,490.00	-	64PKA062 \$1,490.00	-
40"	-	64PKA061 \$1,490.00	64PKA063 \$1,490.00	64PKA064 \$1,490.00

Available in 3 axis (quill or knee).

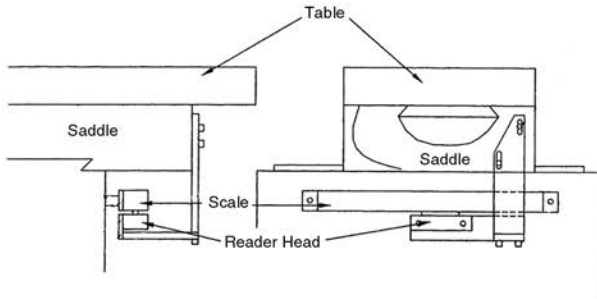
Contact Mitutoyo representative for ordering details.

3 Axis, KA Counter Milling System (Z Axis 6" Travel AT715)

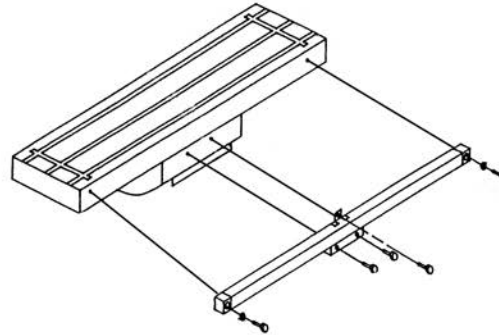
Order No.	Description	List Price
64PKA065	MILL pkg, 3-axis, ABS Linear Scales, 12" x 30" 6", w/DRO	\$2,220.00
64PKA066	MILL pkg, 3-axis, ABS Linear Scales, 12" x 36" 6", w/DRO	\$2,220.00
64PKA067	MILL pkg, 3-axis, ABS Linear Scales, 16" x 36" 6", w/DRO	\$2,220.00

Mounting and Counter Display Brackets

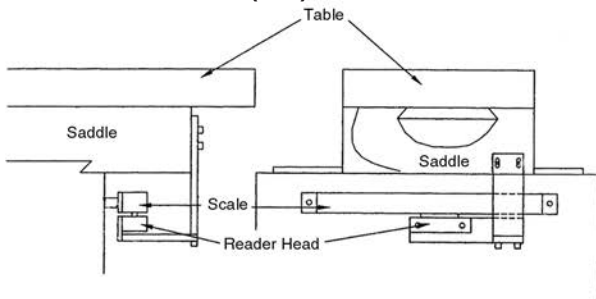
Bridgeport Style Y-Axis (AT116 & AT715)
 One Piece Bracket Kit
 Order No. **64AAB195 (12")** List Price \$155.00



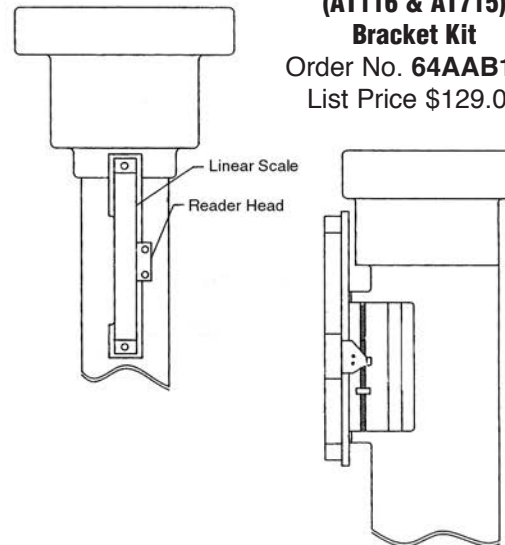
**X-Axis Rear Mount
 (AT116 and AT715) Screw Kit**
 Order No. **64AAB199**
 List Price \$46.40



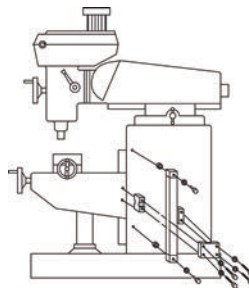
Universal Y-Axis (AT116 & AT715) Two Piece Bracket Kit
 Order No. **64AAB196 (12")** List Price \$164.00
 Order No. **64AAB197 (14 & 16")** List Price \$167.00
 Order No. **64AAB198 (18")** List Price \$180.00



**Z-Axis
 (Quill)
 (AT116 & AT715)
 Bracket Kit**
 Order No. **64AAB192**
 List Price \$129.00



**Z-Axis (Knee)
 (AT116 & AT715)
 Bracket Kit**
 Order No. **64AAB193**
 List Price \$141.00



Order No.	Description	List Price	Remark
64AAB200	Machine Arm Kit for KA Counter (With Tray)	\$138.00	Current Style
53AAA375	Tray for KA Counter (Tray Only)	\$19.95	For Kit 64AAB200 and Mini Stand

Brackets for Mill

Brackets for Mill Packages

Order No.	Description	List Price	Remark
64AAB195	Bracket Kit, Bridgeport Series I Style, One Piece-Y axis (12")	\$155.00	For AT115, AT113, AT116, AT111 & AT715
64AAB196	Bracket Kit, Universal Style, Two Piece-Y axis (12")	\$164.00	For AT115, AT113, AT116, AT111 & AT715
64AAB197	Bracket Kit, Universal Style, Two Piece -Y axis (16" and 14")	\$167.00	For AT115, AT113, AT116, AT111 & AT715
64AAB198	Bracket Kit, Universal Style, Two Piece -Y axis (18")	\$180.00	For AT115, AT113, AT116, AT111 & AT715
64AAB199	Screw Kit, Rear Mount - X axis	\$46.40	For AT115, AT113, AT116, AT111 & AT715

Brackets for Milling Machine - Z axis

64AAB192	Bracket Kit, Quill-Z axis	\$129.00	For AT115, AT116, AT111, AT113, & AT715
64AAB193	Bracket Kit, Knee Mount for Z axis	\$141.00	For AT115, AT116, AT111, AT113, & AT715

Brackets for Grinder

Brackets for Grinder Packages

Order No.	Description	List Price	Remark
64AAB194	Bracket Kit, Grinder Z & Y axis	\$275.00	For AT115, AT116, AT111, AT113, & AT715

Brackets for Lathe

Brackets for Lathe Packages

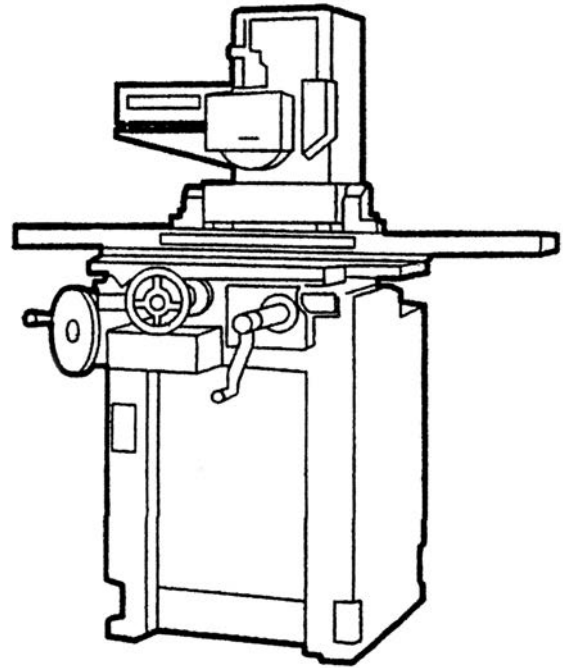
Order No.	Description	List Price	Remark
64AAB191	Bracket Kit for Z (Universal Brackets) and X axis on a Lathe Includes mini-stand, Chip Guard for Cross-slide	\$186.00	For AT115, AT116, AT111, AT113, & AT715

Using KA Counter and AT116 Linear Scales

2 Axis, KA Counter Grinder System

Package Includes:

- KA Counter
- AT116 Glass Linear Scales
- Bracket Kit (refer to page 13)
- Display Arm Kit



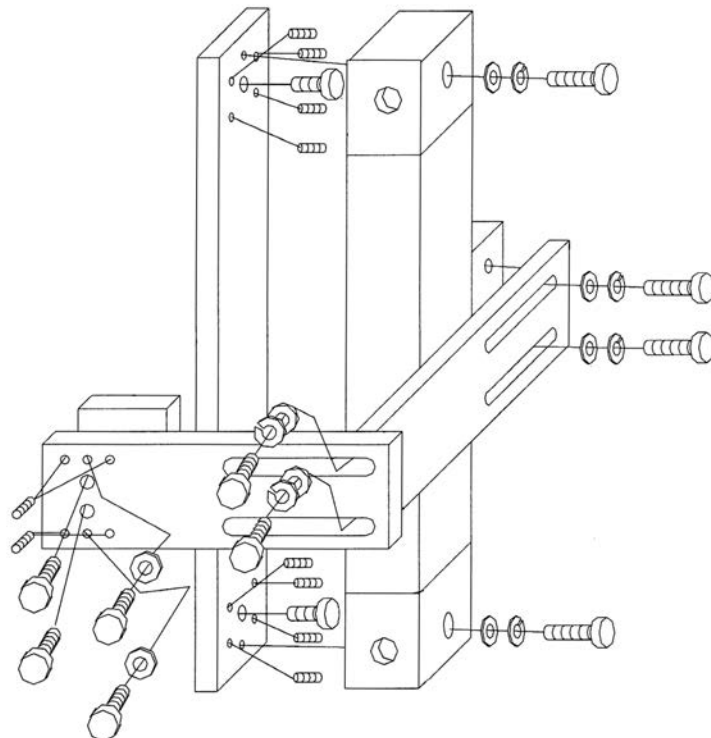
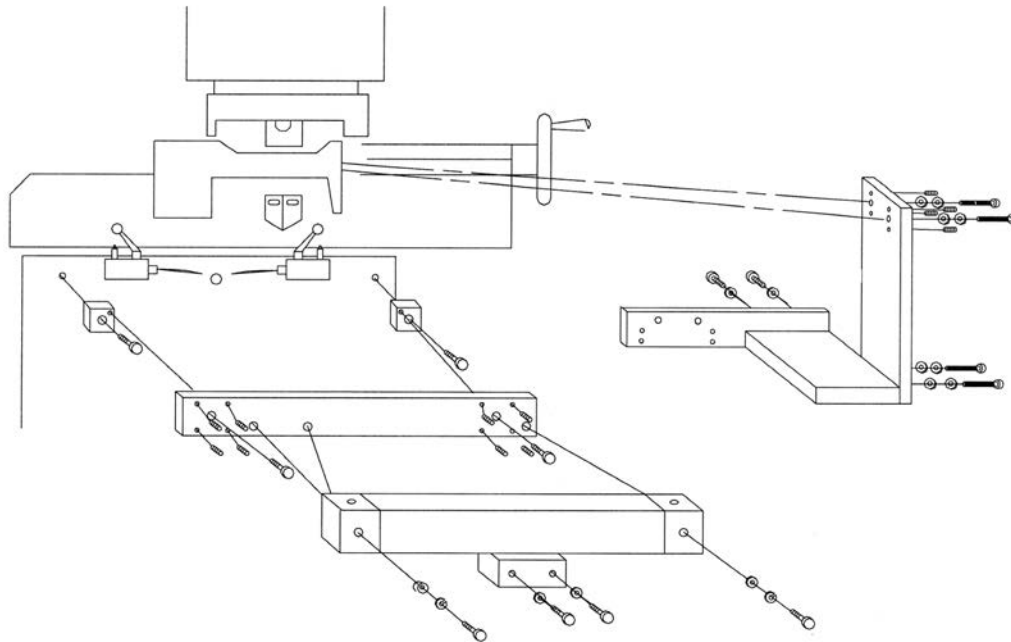
Vertical	Cross Side			
	AT116-150 (6")	AT116-200 (8")	AT116-250 (10")	AT116-300 (12")
AT116-300 (12")	64PKA026 \$1,620.00	64PKA028 \$1,620.00	–	–
AT116-350 (14")	64PKA027 \$1,620.00	64PKA029 \$1,620.00	–	–
AT116-400 (16")	–	64PKA030 \$1,620.00	–	–
AT116-450 (18")	–	–	64PKA031 \$1,620.00	64PKA033 \$1,620.00
AT116-500 (20")	–	–	–	64PKA034 \$1,620.00
AT116-600 (24")	–	–	64PKA032 \$1,620.00	–

Also available with AT715 Electromagnetic Linear Scales with IP-67 rating (highest contamination resistance).

Contact your Mitutoyo representative for ordering information.

Bracket Kit: **64AAB194**, Grinder Linear Scales List Price: \$275.00

Mounting Arm Kit for Counter: **64AAB200**, List Price: \$138.00

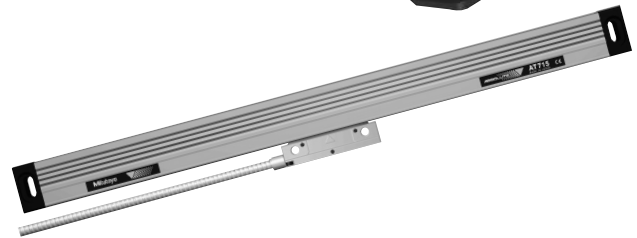
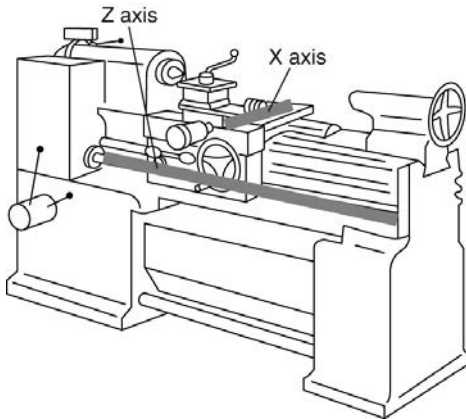


Using KA Counter, AT116 and AT715 Linear Scales

2 Axis, KA Counter Lathe System

Package Includes:

- KA Counter
- AT116 and AT715 Linear Scale combinations
- Bracket Kit (refer to page 15)
- Counter Stand
- Counter Tray
- Extension Cable (X axis) in kits 60" and longer



AT715 Electromagnetic Linear Scale

Z axis travel	X Axis Travel (AT116 Slim Glass Linear Scale)					
	AT116-150 (6")	AT116-200 (8")	AT116-250 (10")	AT116-300 (12")	AT116-350 (14")	AT116-400 (16")
AT715-700 (28")	64PKA035 \$1,680.00	-	-	-	-	-
AT715-750 (30")	64PKA036 \$1,680.00	-	-	-	-	-
AT715-900 (36")	64PKA037 \$1,680.00	-	-	-	-	-
AT715-1000 (40")	64PKA038 \$1,680.00	64PKA039 \$1,680.00	64PKA042 \$1,680.00	64PKA046 \$1,680.00	64PKA052 \$1,680.00	-
AT715-1100 (44")	-	64PKA040 \$2,040.00	64PKA043 \$2,040.00	64PKA047 \$2,040.00	64PKA053 \$2,040.00	-
AT715-1200 (48")	-	64PKA041 \$2,040.00	64PKA044 \$2,040.00	64PKA048 \$2,040.00	64PKA054 \$2,040.00	-
AT715-1300 (52")	-	-	-	64PKA049 \$2,040.00	64PKA055 \$2,040.00	-
AT715-1500 (60")	-	-	64PKA045 \$2,040.00	64PKA050 \$2,040.00	64PKA056 \$2,040.00	64PKA057 \$2,040.00
AT715-1800 (72")	-	-	-	64PKA051 \$2,040.00	-	-

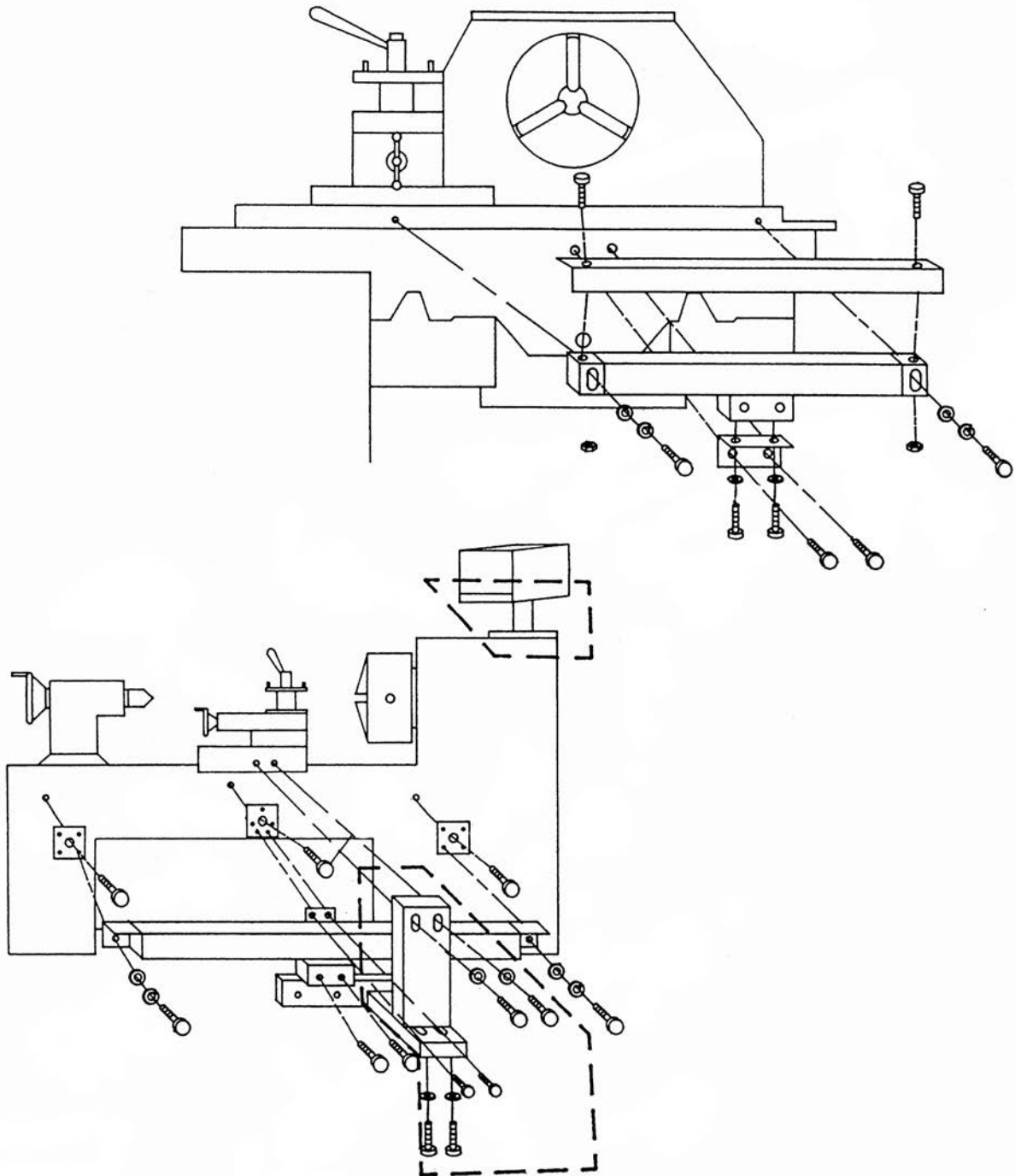
Note: Z-Axis Travel sizes past 72" Use AT715 or AT103 (Extension cable is needed). 2m extension cable included with 60" and 72" packages

Bracket Kit: **64AAB191**
53AAA375

Lathe Machine Bracket Kit
Counter tray (for KA counter)

List Price: \$186.00

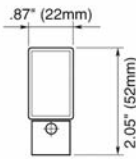
List Price: \$19.95



AT100 Series Glass Linear Scale

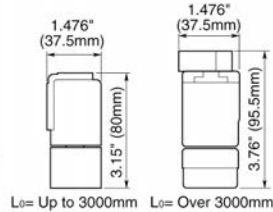
AT116

Type: Slim spar
MIN range: 4" (100mm)
MAX range: 60" (1,500mm)



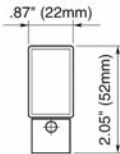
AT103

Type: Standard-size spar
MIN range: 4" (100mm)
MAX range: 240" (6,000mm)



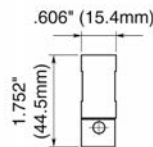
AT113

Type: Slim spar
MIN range: 4" (100mm)
MAX range: 60" (1,500mm)



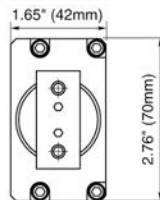
AT112F

Type: Super slim spar
MIN range: 4" (50mm)
MAX range: 40" (1,020mm)
HIGH ACCURACY



AT181

Type: Plunger
MIN range: 4" (100mm)
MAX range: 24" (600mm)



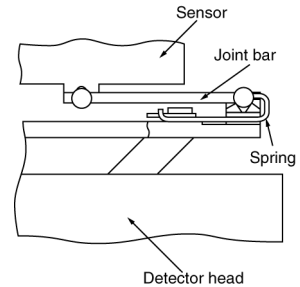
Features

1. Value-priced model AT116

The value-priced version of Mitutoyo Linear Scale AT116 Series are available. The mounting dimensions of all the AT116 models are the same as those of the AT113 Series. Most suitable for mounting on a milling machine or an XY table.

2. Joint Structure of Detector

The ball joint structure is employed at the joint of the detector head and the slider (sensor unit) inside the scale. This structure prevents the slider movement from deviating from the normal moving directions when the detector head shifts to right and left, thus providing a normal linear scale reading and increasing flexibility in the scale installation. In addition, this structure is highly rigid and therefore has excellent durability.



3. Water-proof Connector

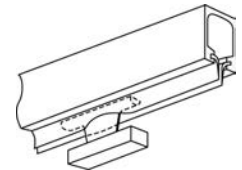
A waterproof/splash-proof connector is used to enable separation of the signal cable. Thus, an installation and maintenance of the Linear Scale can be easily performed. (The signal cable in AT115 cannot be separated.)

4. Armored type signal cable

The signal cable is protected by the conduit system. Its exterior is made of stainless steel, which is free from rust and corrosion and withstands sustained use for many years.

5. Unique rubber-lip seals

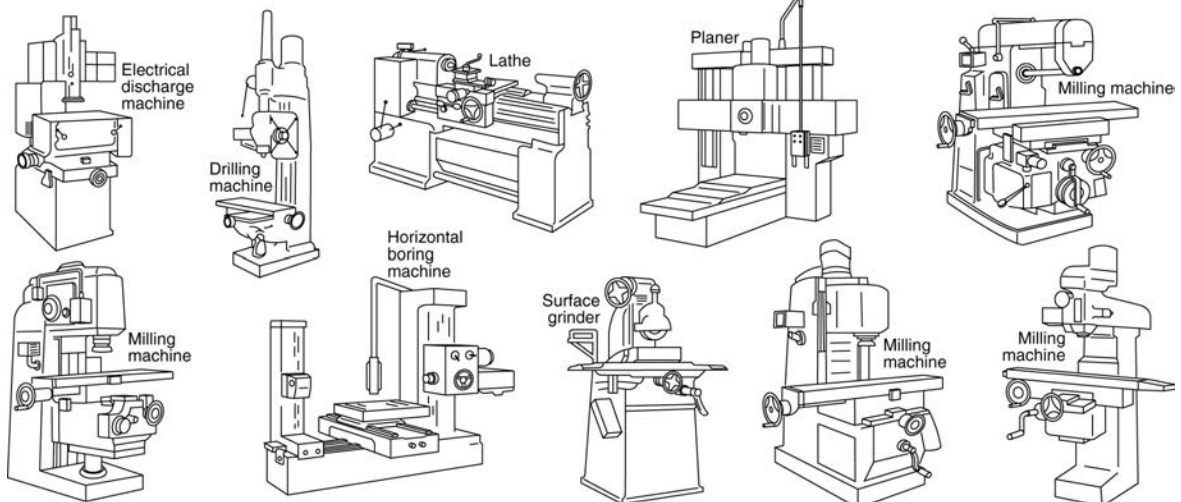
The rubber-lip seals openings are shaped like the bottom of a ship that plows the water.



6. Excellent splash- and dust-proof rubber lip structure

The rubber lip seals are made of a strong, custom-made urethane that is wire-reinforced to improve the contamination resistance of the scale.

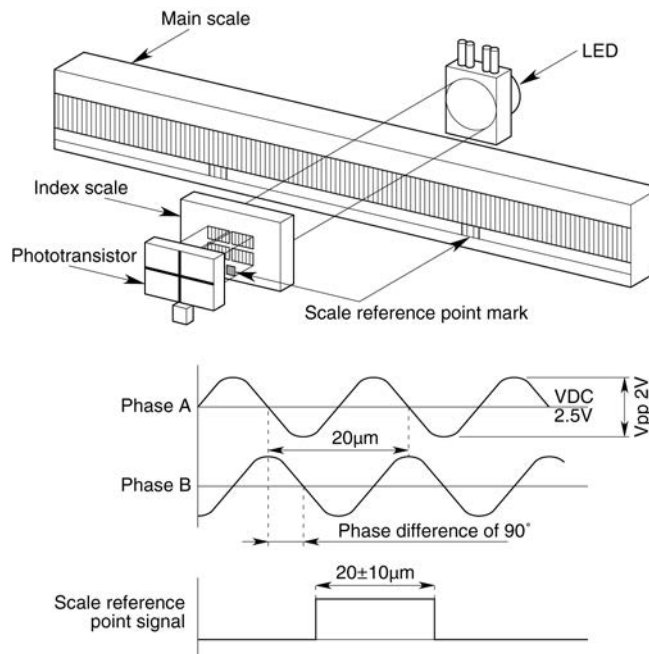
Applications



Specifications

Model	AT116 / AT103 / AT113 / AT112F	AT181
Detecting method	Photoelectric	
Light source	LED	
Receptor	Phototransistor	Photodiode
Output wave form	2-phase sine wave with a phase difference of 90°	
Scale grating pitch	20μm	
Resolution	0.0001mm - 0.01mm / .000005" - .01" (depending upon the counter connected)	
Scale reference point	At every 50mm interval	Not provided
Coefficient of linear expansion	$(8\pm 1) \cdot 10^{-6}/^{\circ}\text{C}$	
Power supply	5V \pm 5% DC	
Current consumption	70mA at maximum	120mA at maximum
Sliding force	5N or less	6N or less
Dust/water protection	Conforming to IP-53	Conforming to IP-54
Operating temperature	0°C to 45°C	
Storage temperature	-20°C to 70°C	
Relative humidity	20% to 80% (no condensation)	

Detecting Principle



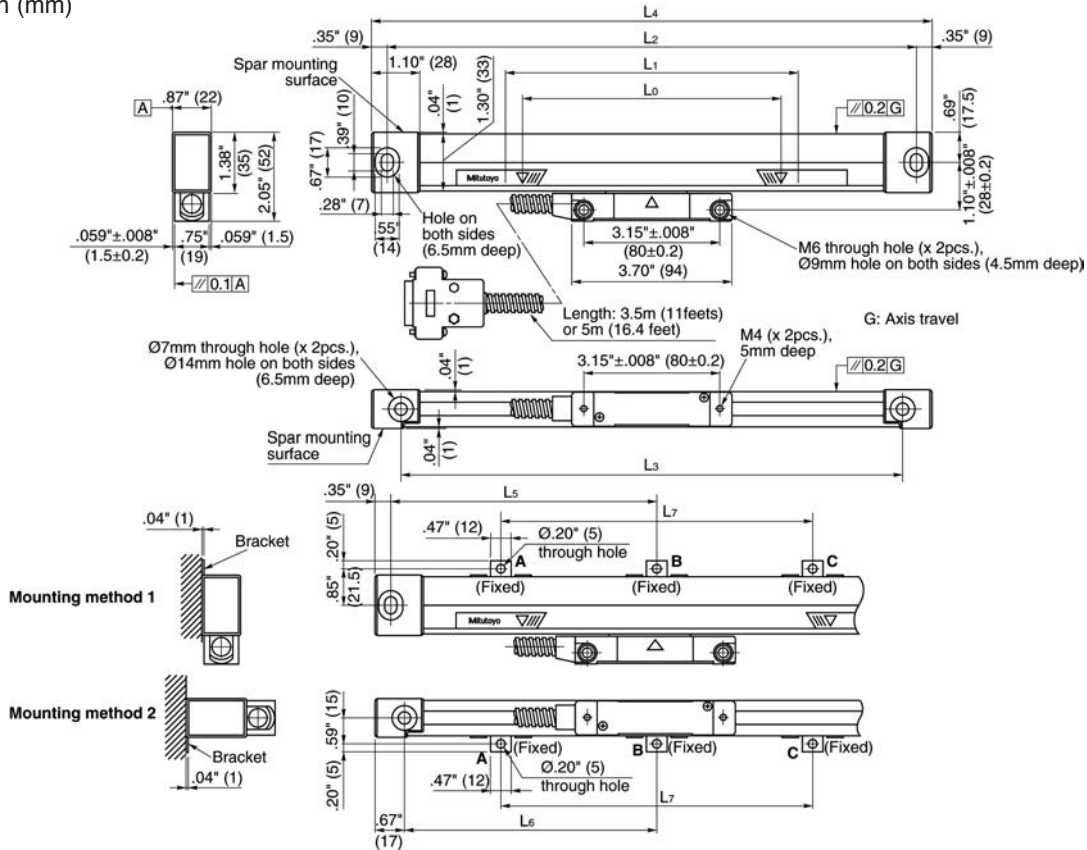
The detector of each linear scale unit consists of a light source (LED) and a photoelectric device (phototransistor) which face each other with the main scale and index scale between them. When the main scale moves, relative to the index scale, the quantity of light that is transmitted through the gratings on the index scale varies with the same period as the grating pitch. This variation of light intensity is converted into electrical signals and output as two-phase (A and B) waves with a phase difference of 90°. The display unit divides these signals to determine the direction of the scale movement, and digitally displays the displacement of the scale.

Order Numbers and List Prices

Spar Type Model	Slim (Economy)		Standard-size				Extra-long		Slim			
	AT116	List Price	AT103	List Price	AT103	List Price	AT103	List Price	AT113	List Price	AT113	List Price
Accuracy at 20°C (µm) Lo: Effective range	Standard-Accuracy 5 + 5Lo/1000		Standard-Accuracy 5 + 5Lo/1000		High-Accuracy 3 + 3Lo/1000		Standard-Accuracy 5 + 8Lo/1000		Standard-Accuracy 5 + 5Lo/1000		High-Accuracy 3 + 3Lo/1000	
Maximum response speed	164 ft/min 50m/min		236 ft/min 72m/min		236 ft/min 72m/min		164 ft/min 50m/min		390 ft/min 120m/min		390 ft/min 120m/min	
100mm (4")	539-271-30	\$369.00	539-111-30	\$510.00	539-111-40	\$638.00	-	-	539-201-30	\$570.00	539-201-40	\$741.00
150mm (6")	539-272-30	\$369.00	539-112-30	\$510.00	539-112-40	\$638.00	-	-	539-202-30	\$580.00	539-202-40	\$755.00
200mm (8")	539-273-30	\$379.00	539-113-30	\$527.00	539-113-40	\$658.00	-	-	539-203-30	\$624.00	539-203-40	\$777.00
250mm (10")	539-274-30	\$379.00	539-114-30	\$527.00	539-114-40	\$658.00	-	-	539-204-30	\$644.00	539-204-40	\$799.00
300mm (12")	539-275-30	\$379.00	539-115-30	\$527.00	539-115-40	\$658.00	-	-	539-205-30	\$649.00	539-205-40	\$855.00
350mm (14")	539-276-30	\$388.00	539-116-30	\$540.00	539-116-40	\$675.00	-	-	539-206-30	\$681.00	539-206-40	\$889.00
400mm (16")	539-277-30	\$427.00	539-117-30	\$594.00	539-117-40	\$743.00	-	-	539-207-30	\$708.00	539-207-40	\$960.00
450mm (18")	539-278-30	\$459.00	539-118-30	\$636.00	539-118-40	\$794.00	-	-	539-208-30	\$764.00	539-208-40	\$1,060.00
500mm (20")	539-279-30	\$476.00	539-119-30	\$661.00	539-119-40	\$826.00	-	-	539-209-30	\$809.00	539-209-40	\$1,150.00
600mm (24")	539-281-30	\$525.00	539-121-30	\$728.00	539-121-40	\$911.00	-	-	539-211-30	\$884.00	539-211-40	\$1,250.00
700mm (28")	539-283-30	\$570.00	539-123-30	\$813.00	539-123-40	\$1,020.00	-	-	539-213-30	\$970.00	539-213-40	\$1,370.00
750mm (30")	539-284-30	\$609.00	539-124-30	\$843.00	539-124-40	\$1,050.00	-	-	539-214-30	\$1000.00	539-214-40	\$1,520.00
800mm (32")	539-285-30	\$644.00	539-125-30	\$893.00	539-125-40	\$1,120.00	-	-	539-215-30	\$1,050.00	539-215-40	\$1,630.00
900mm (36")	539-286-30	\$684.00	539-126-30	\$948.00	539-126-40	\$1,180.00	-	-	539-216-30	\$1,170.00	539-216-40	\$1,770.00
1000mm (40")	539-287-30	\$829.00	539-127-30	\$1,170.00	539-127-40	\$1,470.00	-	-	539-217-30	\$1,230.00	539-217-40	\$1,970.00
1100mm (44")	539-288-30	\$932.00	539-128-30	\$1,300.00	539-128-40	\$1,620.00	-	-	539-218-30	\$1,470.00	539-218-40	\$2,200.00
1200mm (48")	539-289-30	\$1030.00	539-129-30	\$1,420.00	539-129-40	\$1,780.00	-	-	539-219-30	\$1,600.00	539-219-40	\$2,310.00
1300mm (52")	539-290-30	\$1,090.00	539-130-30	\$1,510.00	539-130-40	\$1,900.00	-	-	539-220-30	\$1,780.00	539-220-40	\$2,380.00
1400mm (56")	539-291-30	\$1,150.00	539-131-30	\$1,620.00	539-131-40	\$2,020.00	-	-	539-221-30	\$1,830.00	539-221-40	\$2,430.00
1500mm (60")	539-292-30	\$1,460.00	539-132-30	\$2,040.00	539-132-40	\$2,540.00	-	-	539-222-30	\$2,340.00	539-222-40	\$2,500.00
1600mm (64")	-	-	539-133-30	\$2,180.00	539-133-40	\$4,180.00	-	-	-	-	-	-
1700mm (68")	-	-	539-134-30	\$2,270.00	539-134-40	\$4,400.00	-	-	-	-	-	-
1800mm (72")	-	-	539-135-30	\$2,590.00	539-135-40	\$4,670.00	-	-	-	-	-	-
2000mm (80")	-	-	539-136-30	\$2,870.00	539-136-40	\$5,090.00	-	-	-	-	-	-
2200mm (88")	-	-	539-137-30	\$3,140.00	-	-	-	-	-	-	-	-
2400mm (96")	-	-	539-138-30	\$3,450.00	-	-	-	-	-	-	-	-
2500mm (100")	-	-	539-139-30	\$3,570.00	-	-	-	-	-	-	-	-
2600mm (104")	-	-	539-140-30	\$3,730.00	-	-	-	-	-	-	-	-
2800mm (112")	-	-	539-141-30	\$3,890.00	-	-	-	-	-	-	-	-
3000mm (120")	-	-	539-142-30	\$4,280.00	-	-	-	-	-	-	-	-
3250mm (130")	-	-	-	-	-	-	539-143-30	\$5,490.00	-	-	-	-
3500mm (140")	-	-	-	-	-	-	539-144-30	\$5,890.00	-	-	-	-
3750mm (150")	-	-	-	-	-	-	539-145-30	\$6,060.00	-	-	-	-
4000mm (160")j	-	-	-	-	-	-	539-146-30	\$6,270.00	-	-	-	-
4250mm (170")	-	-	-	-	-	-	539-147-30	\$6,550.00	-	-	-	-
4500mm (180")	-	-	-	-	-	-	539-148-30	\$6,910.00	-	-	-	-
4750mm (190")	-	-	-	-	-	-	539-149-30	\$7,090.00	-	-	-	-
5000mm (200")	-	-	-	-	-	-	539-150-30	\$7,390.00	-	-	-	-
5250mm (210")	-	-	-	-	-	-	539-151-30	\$7,590.00	-	-	-	-
5500mm (220")	-	-	-	-	-	-	539-152-30	\$7,990.00	-	-	-	-
5750mm (230")	-	-	-	-	-	-	539-153-30	\$8,210.00	-	-	-	-
6000mm (240")	-	-	-	-	-	-	539-154-30	\$8,550.00	-	-	-	-

Spar Type	Super Slim			Plunger Construction	
Model	AT112F	List Price	Model	AT181	List Price
Accuracy at 20°C (µm) Lo: Effective range	High-Accuracy 3 + 3Lo/1000			Standard-Accuracy 5 + 5Lo/1000	
Maximum response speed	164 ft/min 50m/min			164 ft/min 50m/min	
50mm (1.5")	539-251-10	\$785.00	100mm (4")	539-301	\$1,290.00
70mm (2.5")	539-252-10	\$803.00	150mm (6")	539-302	\$1,340.00
120mm (4.5")	539-253-10	\$864.00	200mm (8")	539-303	\$1,390.00
170mm (6.5")	539-254-10	\$884.00	250mm (10")	539-304	\$1,410.00
220mm (8.5")	539-255-10	\$902.00	300mm (12")	539-305	\$1,460.00
270mm (10.5")	539-256-10	\$927.00	350mm (14")	539-306	\$1,490.00
320mm (12.5")	539-257-10	\$948.00	400mm (16")	539-307	\$1,550.00
370mm (14.5")	539-258-10	\$983.00	450mm (18")	539-308	\$1,580.00
420mm (16.5")	539-259-10	\$1,120.00	500mm (20")	539-309	\$1,670.00
470mm (18.5")	539-260-10	\$1,220.00	550mm (22")	539-310	\$1,750.00
520mm (20")	539-261-10	\$1,270.00	600mm (24")	539-311	\$1,810.00
570mm (22")	539-262-10	\$1,330.00			
620mm (24")	539-263-10	\$1,370.00			
670mm (26")	539-264-10	\$1,290.00			
720mm (28")	539-265-10	\$1,470.00			
770mm (30")	539-266-10	\$1,670.00			
820mm (32")	539-267-10	\$1,780.00			
920mm (36")	539-268-10	\$1,910.00			
1020mm (40")	539-269-10	\$2,090.00			

units: inch (mm)



Mounting dimensions

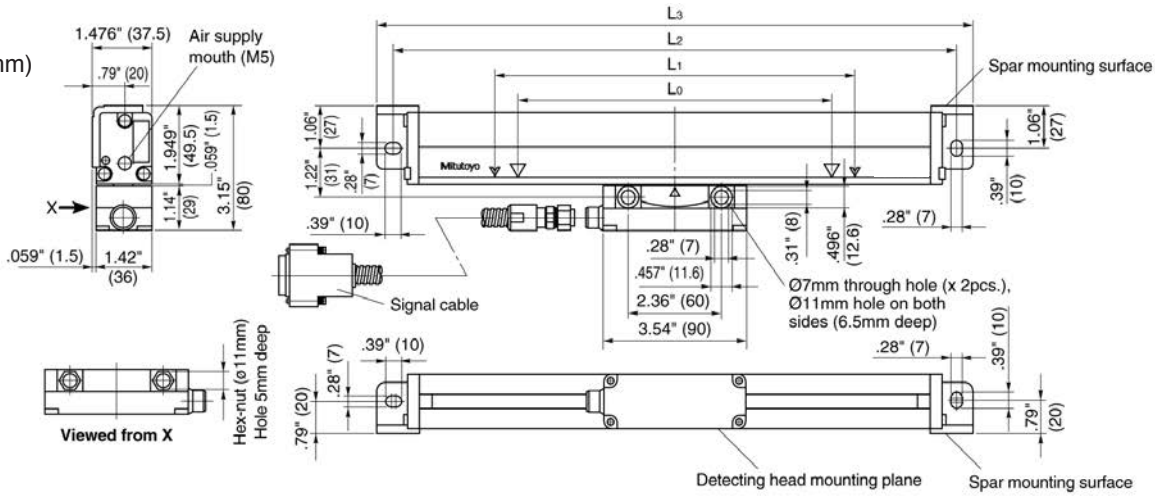
Effective range L_0 inch (mm)	Travel range L_1 inch (mm)	Mount interval L_2 inch (mm)	Mount interval L_3 inch (mm)	Overall length L_4 inch (mm)	Supporting bracket			Signal cable length feet (m)	Mass lbs. (kg)
					L_5 inch (mm)	L_6 inch (mm)	L_7 inch (mm)		
4" (100)	4.72" (120)	10.16" (258)	9.53" (242)	10.87" (276)	-	-	-	9.8 (3)	2.2 (1.0)
6" (150)	6.69" (170)	12.13" (308)	11.50" (292)	12.83" (326)	-	-	-	9.8 (3)	2.2 (1.0)
8" (200)	8.66" (220)	14.09" (358)	13.46" (342)	14.80" (376)	-	-	-	9.8 (3)	2.2 (1.0)
10" (250)	10.63" (270)	16.06" (408)	15.43" (392)	16.77" (426)	-	-	-	9.8 (3)	2.42 (1.1)
12" (300)	12.99" (330)	18.43" (468)	17.80" (452)	19.13" (486)	-	-	-	9.8 (3)	2.42 (1.1)
14" (350)	14.96" (380)	20.39" (518)	19.76" (502)	21.10" (536)	-	-	-	9.8 (3)	2.42 (1.1)
16" (400)	16.93" (430)	22.36" (568)	21.73" (552)	23.07" (586)	-	-	-	9.8 (3)	2.64 (1.2)
18" (450)	18.90" (480)	24.33" (618)	23.70" (602)	25.04" (636)	-	-	-	9.8 (3)	2.64 (1.2)
20" (500)	21.26" (540)	26.69" (678)	26.06" (662)	27.40" (696)	13.35" (339)	13.03" (331)	-	9.8 (3)	2.64 (1.2)
24" (600)	25.20" (640)	30.63" (778)	30.00" (762)	31.34" (796)	15.31" (389)	15.00" (381)	-	9.8 (3)	2.86 (1.3)
28" (700)	29.13" (740)	34.57" (878)	33.94" (862)	35.28" (896)	17.28" (439)	16.97" (431)	-	9.8 (3)	2.86 (1.3)
30" (750)	30.71" (780)	36.14" (918)	35.51" (902)	36.85" (936)	18.07" (459)	17.76" (451)	-	9.8 (3)	2.86 (1.3)
32" (800)	33.07" (840)	38.50" (978)	37.87" (962)	39.21" (996)	19.25" (489)	18.94" (481)	-	9.8 (3)	3.08 (1.4)
36" (900)	37.01" (940)	42.44" (1078)	41.81" (1062)	43.15" (1096)	21.22" (539)	20.91" (531)	-	9.8 (3)	3.08 (1.4)
40" (1000)	40.94" (1040)	46.38" (1178)	45.75" (1162)	47.09" (1196)	23.19" (589)	22.87" (581)	-	16.4 (5)	3.96 (1.8)
44" (1100)	44.88" (1140)	50.31" (1278)	49.69" (1262)	51.02" (1296)	-	-	16.93" (430)	16.4 (5)	3.96 (1.8)
48" (1200)	48.82" (1240)	54.25" (1378)	53.62" (1362)	54.96" (1396)	-	-	18.11" (460)	16.4 (5)	4.18 (1.9)
52" (1300)	52.76" (1340)	58.19" (1478)	57.56" (1462)	58.90" (1496)	-	-	19.29" (490)	16.4 (5)	4.18 (1.9)
56" (1400)	56.69" (1440)	62.13" (1578)	61.50" (1562)	62.83" (1596)	-	-	20.87" (530)	16.4 (5)	4.4 (2.0)
60" (1500)	60.63" (1540)	66.06" (1678)	65.43" (1662)	66.77" (1696)	-	-	22.05" (560)	16.4 (5)	4.4 (2.0)

Mounting hardware (provided as standard)

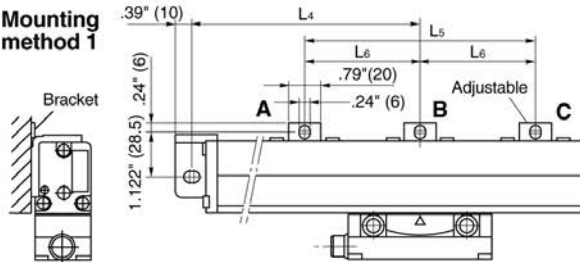
Items included	Quantity
• Hex-socket head screw (M6x1x25)	2 pcs.
• Hex-socket head screw (M4x0.7x25)	2 pcs.
• Hex-socket head screw (M4x0.7x8)	6 pcs.
• Plain washer (4mm nominal)	2 pcs.
• Plain washer (6mm nominal)	2 pcs.
• Cable clip	5 pcs.
• Connector clamp	1 pc.
• Spacer (0.3mm)	1 pc.
• Spacer (0.4mm)	1 pc.
• Spacer (0.5mm)	1 pc.
• Spacer (0.6mm)	1 pc.
• Middle support set	1 or 2 pcs.

Note) When selecting the size of a Linear Scale for your application, make sure that the maximum travel range of the Linear Scale (L_1) is larger than the maximum travel range of the machine. Also, take into consideration in selecting a size that the accuracy of the Linear Scale is guaranteed only within the range of the effective measuring length (L_0).

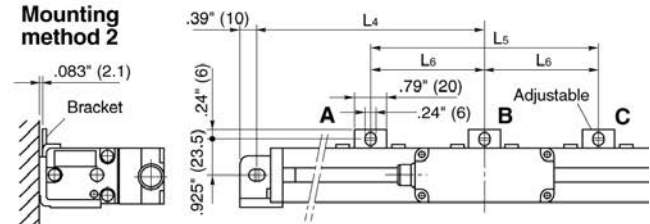
units:
inch (mm)



Mounting method 1



Mounting method 2



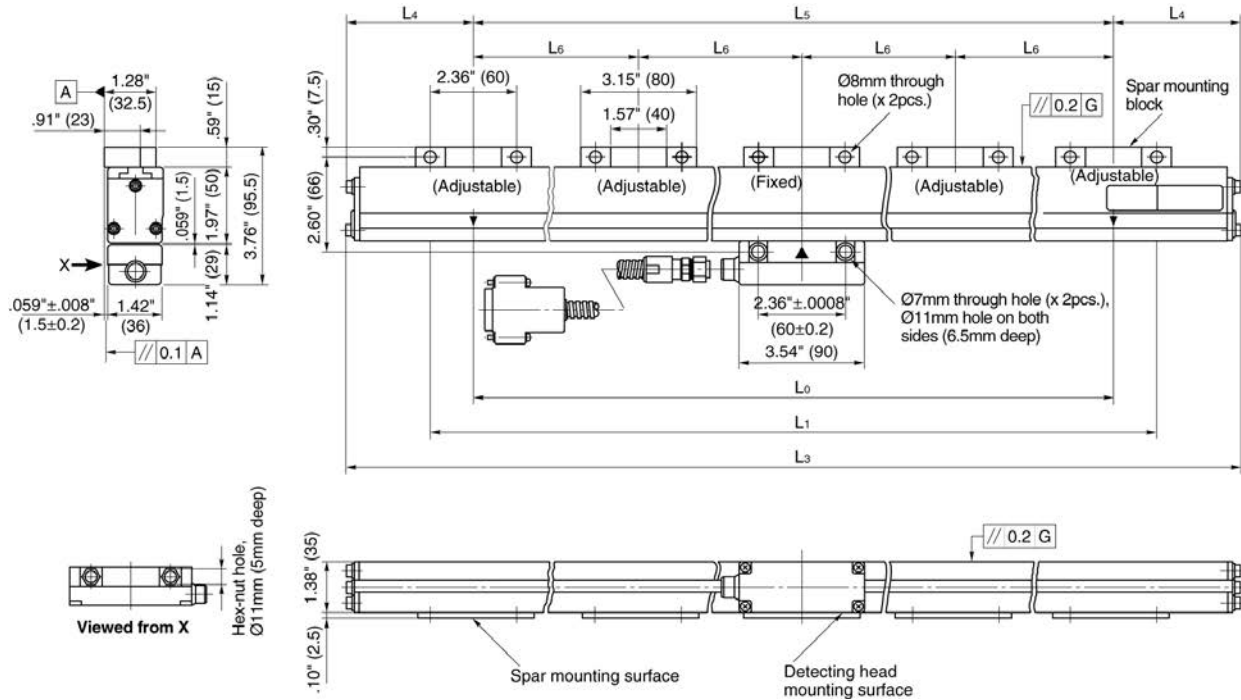
Mounting dimensions

Effective range L ₀ inch (mm)	Travel range L ₁ inch (mm)	Mount interval L ₂ inch (mm)	Overall length L ₃ inch (mm)	Supporting bracket			Signal cable length feet (m)	Mass lbs. (kg)
				L ₄ inch (mm)	L ₅ inch (mm)	L ₆ inch (mm)		
4" (100)	4.72" (120)	9.76" (248)	10.55" (268)	-	-	-	9.8 (3)	3.30 (1.5)
6" (150)	6.69" (170)	11.73" (298)	12.52" (318)	-	-	-	9.8 (3)	3.52 (1.6)
8" (200)	8.66" (220)	13.70" (348)	14.49" (368)	-	-	-	9.8 (3)	3.74 (1.7)
10" (250)	10.63" (270)	15.67" (398)	16.46" (418)	-	-	-	9.8 (3)	3.96 (1.8)
12" (300)	12.99" (330)	18.03" (458)	18.82" (478)	-	-	-	9.8 (3)	4.18 (1.9)
14" (350)	14.96" (380)	20.00" (508)	20.79" (528)	-	-	-	9.8 (3)	4.40 (2.0)
16" (400)	16.93" (430)	21.97" (558)	22.76" (578)	-	-	-	9.8 (3)	4.62 (2.1)
18" (450)	18.90" (480)	23.94" (608)	24.72" (628)	-	-	-	9.8 (3)	4.84 (2.2)
20" (500)	21.26" (540)	26.30" (668)	27.09" (688)	-	-	-	9.8 (3)	5.06 (2.3)
24" (600)	25.59" (650)	30.63" (778)	31.42" (798)	-	-	-	9.8 (3)	5.72 (2.6)
28" (700)	29.92" (760)	34.96" (888)	35.75" (908)	-	-	-	9.8 (3)	6.16 (2.8)
30" (750)	31.89" (810)	36.93" (938)	37.72" (958)	-	-	-	9.8 (3)	6.38 (2.9)
32" (800)	33.86" (860)	38.90" (988)	39.69" (1008)	-	-	-	9.8 (3)	6.60 (3.0)
36" (900)	37.79" (960)	42.83" (1088)	43.62" (1108)	-	-	-	9.8 (3)	7.26 (3.3)
40" (1000)	41.73" (1060)	46.77" (1188)	47.56" (1208)	23.39" (594)	-	-	16.4 (5)	8.14 (3.7)
44" (1100)	45.67" (1160)	50.71" (1288)	51.50" (1308)	25.35" (644)	-	-	16.4 (5)	8.80 (4.0)
48" (1200)	49.60" (1260)	54.65" (1388)	55.43" (1408)	27.32" (694)	-	-	16.4 (5)	9.24 (4.2)
52" (1300)	53.54" (1360)	58.58" (1488)	59.37" (1508)	29.29" (744)	-	-	16.4 (5)	9.68 (4.4)
56" (1400)	57.48" (1460)	62.52" (1588)	63.31" (1608)	31.26" (794)	-	-	16.4 (5)	10.12 (4.6)
60" (1500)	61.41" (1560)	66.46" (1688)	67.24" (1708)	33.23" (844)	-	-	16.4 (5)	10.56 (4.8)
64" (1600)	66.53" (1690)	71.57" (1818)	72.36" (1838)	-	610 (24.02")	-	16.4 (5)	11.22 (5.1)
68" (1700)	70.47" (1790)	75.51" (1918)	76.30" (1938)	-	650 (25.59")	-	16.4 (5)	11.66 (5.3)
72" (1800)	74.41" (1890)	79.45" (2018)	80.24" (2038)	-	670 (26.38")	-	16.4 (5)	12.10 (5.5)
80" (2000)	82.67" (2100)	87.72" (2228)	88.50" (2248)	-	740 (29.13")	-	16.4 (5)	13.20 (6.0)
88" (2200)	90.55" (2300)	95.59" (2428)	96.38" (2448)	-	800 (31.50")	-	16.4 (5)	14.08 (6.4)
96" (2400)	98.42" (2500)	103.46" (2628)	104.25" (2648)	51.73" (1314)	1300 (51.18")	25.59" (650)	22.9 (7)	15.62 (7.1)
100" (2500)	102.36" (2600)	107.40" (2728)	108.19" (2748)	53.70" (1364)	1340 (52.76")	25.38" (670)	22.9 (7)	16.06 (7.3)
104" (2600)	106.30" (2700)	111.34" (2828)	112.13" (2848)	55.67" (1414)	1400 (55.12")	27.56" (700)	22.9 (7)	16.50 (7.5)
112" (2800)	114.17" (2900)	119.21" (3028)	120.00" (3048)	59.60" (1514)	1500 (59.06")	29.53" (750)	22.9 (7)	17.38 (7.9)
120" (3000)	118.11" (3100)	127.09" (3228)	127.87" (3248)	63.99" (1614)	1600 (62.99")	31.50" (800)	22.9 (7)	18.26 (8.3)

Note) When selecting the size of a Linear Scale for your application, make sure that the maximum travel range of the Linear Scale (L₁) is larger than the maximum travel range of the machine. Also, take into consideration in selecting a size that the accuracy of the Linear Scale is guaranteed only within the range of the effective measuring length (L₀).

Mounting parts for the AT102 & AT103 Series Linear Scale units (standard accessories) are shown on the next page.

units: inch (mm)



Mounting dimensions

Effective range L ₀ inch (mm)	Travel range L ₁ inch (mm)	Overall length L ₃ inch (mm)	Mounting block				Signal cable length feet (m)	Mass lbs. (kg)
			Blocks included	L ₄ inch (mm)	L ₅ inch (mm)	L ₆ inch (mm)		
130" (3250)	131.88" (3350)	136.61" (3470)	5 pcs.	5.32" (135)	125.98" (3200)	31.50" (800)	32.8 (10)	23.76 (10.8)
140" (3500)	141.73" (3600)	146.46" (3720)	5 pcs.	6.30" (160)	133.86" (3400)	33.46" (850)	32.8 (10)	25.08 (11.4)
150" (3750)	151.57" (3850)	156.30" (3970)	5 pcs.	4.92" (125)	146.46" (3720)	36.61" (930)	32.8 (10)	26.40 (12.0)
160" (4000)	161.42" (4100)	166.14" (4220)	5 pcs.	4.33" (110)	157.48" (4000)	39.37" (1000)	32.8 (10)	27.72 (12.6)
170" (4250)	171.26" (4350)	175.98" (4470)	5 pcs.	5.32" (135)	165.35" (4200)	41.34" (1050)	32.8 (10)	29.04 (13.2)
180" (4500)	181.10" (4600)	185.83" (4720)	5 pcs.	6.30" (160)	173.23" (4400)	43.31" (1100)	32.8 (10)	30.36 (13.8)
190" (4750)	191.94" (4850)	195.67" (4970)	7 pcs.	3.35" (85)	188.98" (4800)	31.50" (800)	49.2 (15)	33.44 (15.2)
200" (5000)	200.78" (5100)	205.51" (5220)	7 pcs.	4.72" (120)	196.06" (4980)	32.68" (830)	49.2 (15)	34.76 (15.8)
210" (5250)	210.63" (5350)	215.35" (5470)	7 pcs.	4.92" (125)	205.51" (5220)	34.25" (870)	49.2 (15)	36.08 (16.4)
220" (5500)	220.47" (5600)	225.20" (5720)	7 pcs.	5.12" (130)	214.41" (5460)	35.83" (910)	49.2 (15)	37.40 (17.0)
230" (5750)	230.31" (5850)	235.24" (5970)	7 pcs.	5.32" (135)	224.41" (5700)	37.40" (950)	49.2 (15)	38.72 (17.6)
240" (6000)	240.16" (6100)	244.88" (6220)	7 pcs.	4.33" (110)	236.22" (6000)	39.37" (1000)	49.2 (15)	40.04 (18.2)

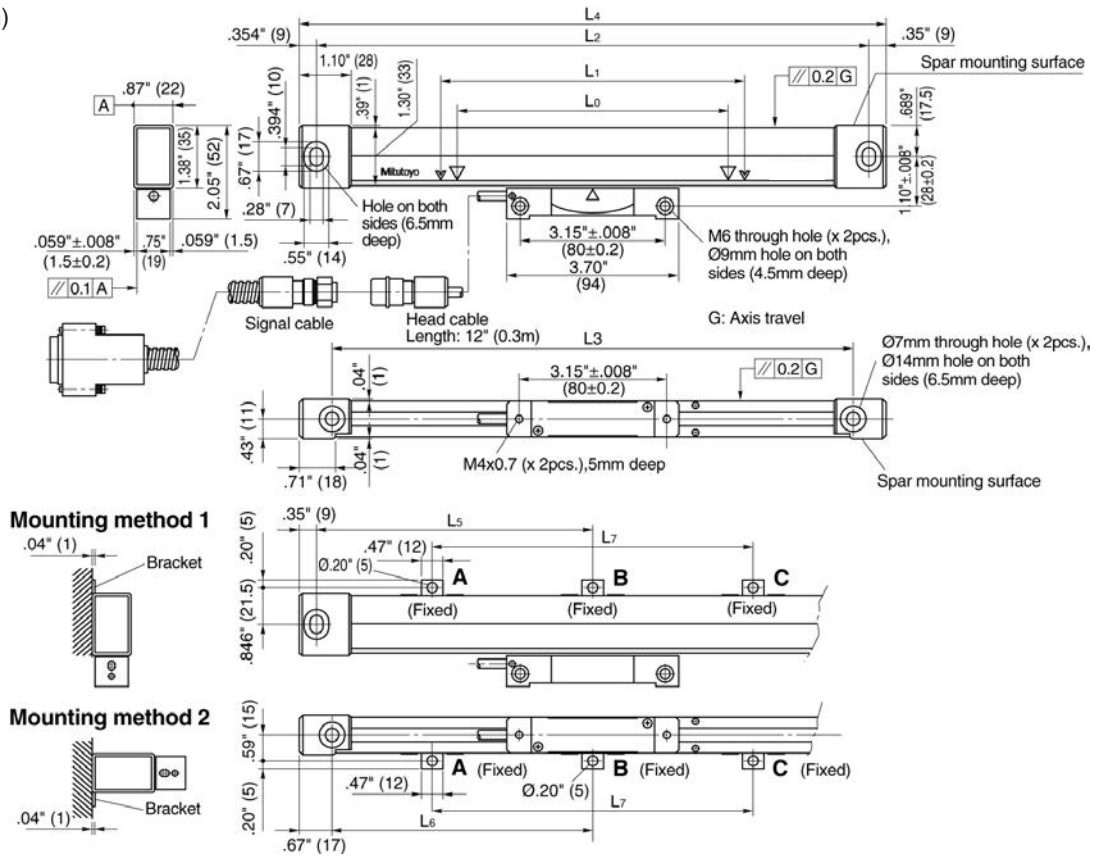
Note) When selecting the size of a Linear Scale for your application, make sure that the maximum travel range of the Linear Scale (L₁) is larger than the maximum travel range of the machine. Also, take into consideration in selecting a size that the accuracy of the Linear Scale is guaranteed only within the range of the effective measuring length (L₀).

Mounting hardware parts

Type of spar	Standard-size	Extra-long
Effective range L ₀	4" (100mm) - 120" (3000mm)	130" (3250mm) - 240" (6000mm)
Items included	<ul style="list-style-type: none"> • Hex-socket head screw (M6x1x40) 2 pcs. • Hex-socket head screw (M6x1x16) 2 pcs. • Hex-socket head screw (M4x0.7x8) 5 pcs. • Spring washer (6mm nominal) 2 pcs. • Plain washer (6mm nominal) 2 pcs. • Cable clip 5 pcs. • Spacers (0.3mm) 1 pc. • Spacer (0.4mm) 1 pc. • Spacer (0.5mm) 1 pc. • Spacer (0.6mm) 1 pc. • Middle Support Set 1 to 3 pcs. 	<ul style="list-style-type: none"> • Hex-socket head screw (M6x1x40) 2 pcs. • Hex-socket head screw (M6x1x30) 14 pcs. • Hex-socket head screw (M4x0.7x8) 7 pcs. • Spring washer (6mm nominal) 14 pcs. • Plain washer (6mm nominal) 14 pcs. • Cable clip 7 pcs. • Spacer (0.3mm) 1 pc. • Spacer (0.4mm) 1 pc. • Spacer (0.5mm) 1 pc. • Spacer (0.6mm) 1 pc. • Middle Support Set 5 to 7 pcs.

Remarks: Dustproofing and splashproofing of the AT102 & AT103 model Linear Scale units can be improved by supplying clean and dry air to the main spar.
(Air pressure required: 50kPa, Air flow rate: 10 to 20 normal liters per minute)

units: inch (mm)



Mounting dimensions

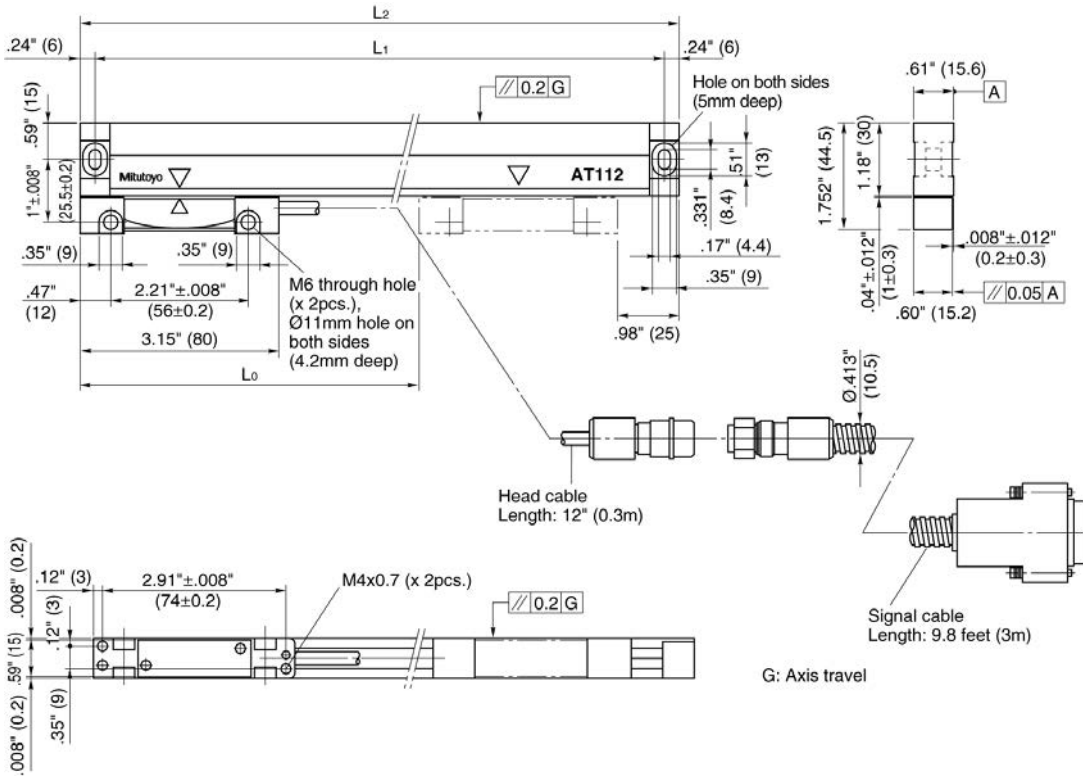
Effective range L_0 inch (mm)	Travel range L_1 inch (mm)	Mount interval L_2 inch (mm)	Mount interval L_3 inch (mm)	Overall length L_4 inch (mm)	Supporting bracket			Signal cable length feet (m)	Mass lbs. (kg)
					L_5 inch (mm)	L_6 inch (mm)	L_7 inch (mm)		
4" (100)	4.72" (120)	10.16" (258)	9.53" (242)	10.87" (276)	-	-	-	9.8 (3)	2.2 (1.0)
6" (150)	6.69" (170)	12.13" (308)	11.50" (292)	12.83" (326)	-	-	-	9.8 (3)	2.2 (1.0)
8" (200)	8.66" (220)	14.09" (358)	13.46" (342)	14.80" (376)	-	-	-	9.8 (3)	2.2 (1.0)
10" (250)	10.63" (270)	16.06" (408)	15.43" (392)	16.77" (426)	-	-	-	9.8 (3)	2.42 (1.1)
12" (300)	12.99" (330)	18.43" (468)	17.80" (452)	19.13" (486)	-	-	-	9.8 (3)	2.42 (1.1)
14" (350)	14.96" (380)	20.39" (518)	19.76" (502)	21.10" (536)	-	-	-	9.8 (3)	2.64 (1.2)
16" (400)	16.93" (430)	22.36" (568)	21.73" (552)	23.07" (586)	-	-	-	9.8 (3)	2.64 (1.2)
18" (450)	18.90" (480)	24.33" (618)	23.70" (602)	25.04" (636)	-	-	-	9.8 (3)	2.64 (1.2)
20" (500)	21.26" (540)	26.69" (678)	26.06" (662)	27.40" (696)	13.35" (339)	13.03" (331)	-	9.8 (3)	2.64 (1.2)
24" (600)	25.20" (640)	30.63" (778)	30.00" (762)	31.34" (796)	15.31" (389)	15.00" (381)	-	9.8 (3)	2.86 (1.3)
28" (700)	29.13" (740)	34.57" (878)	33.94" (862)	35.28" (896)	17.28" (439)	16.97" (431)	-	9.8 (3)	2.86 (1.3)
30" (750)	30.71" (780)	36.14" (918)	35.51" (902)	36.85" (936)	18.07" (459)	17.76" (451)	-	9.8 (3)	2.86 (1.3)
32" (800)	33.07" (840)	38.50" (978)	37.87" (962)	39.21" (996)	19.25" (489)	18.94" (481)	-	9.8 (3)	3.08 (1.4)
36" (900)	37.01" (940)	42.44" (1078)	41.81" (1062)	43.15" (1096)	21.22" (539)	20.91" (531)	-	9.8 (3)	3.08 (1.4)
40" (1000)	40.94" (1040)	46.38" (1178)	45.75" (1162)	47.09" (1196)	23.19" (589)	22.87" (581)	-	16.4 (5)	3.96 (1.8)
44" (1100)	44.88" (1140)	50.31" (1278)	49.69" (1262)	51.02" (1296)	-	-	16.93" (430)	16.4 (5)	3.96 (1.8)
48" (1200)	48.82" (1240)	54.25" (1378)	53.62" (1362)	54.96" (1396)	-	-	18.11" (460)	16.4 (5)	4.18 (1.9)
52" (1300)	52.76" (1340)	58.19" (1478)	57.56" (1462)	58.90" (1496)	-	-	19.29" (490)	16.4 (5)	4.18 (1.9)
56" (1400)	56.69" (1440)	62.13" (1578)	61.50" (1562)	62.83" (1596)	-	-	20.87" (530)	16.4 (5)	4.4 (2.0)
60" (1500)	60.63" (1540)	66.06" (1678)	65.43" (1662)	66.77" (1696)	-	-	22.05" (560)	16.4 (5)	4.4 (2.0)

Mounting hardware (provided as standard)

Items included		
• Hex-socket head screw (M6x1x25)	2 pcs.	
• Hex-socket head screw (M4x0.7x25)	2 pcs.	
• Hex-socket head screw (M4x0.7x8)	6 pcs.	
• Plain washer (4mm nominal)	2 pcs.	
• Plain washer (6mm nominal)	2 pcs.	
• Cable clip	5 pcs.	
• Connector clamp	1 pc.	
• Spacer (0.3mm)	1 pc.	
• Spacer (0.4mm)	1 pc.	
• Spacer (0.5mm)	1 pc.	
• Spacer (0.6mm)	1 pc.	
• Middle Support Set	1 to 2 pcs.	

Note) When selecting the size of a Linear Scale for your application, make sure that the maximum travel range of the Linear Scale (L_1) is larger than the maximum travel range of the machine. Also, take into consideration in selecting a size that the accuracy of the Linear Scale is guaranteed only within the range of the effective measuring length (L_0).

units: inch (mm)



Mounting dimensions

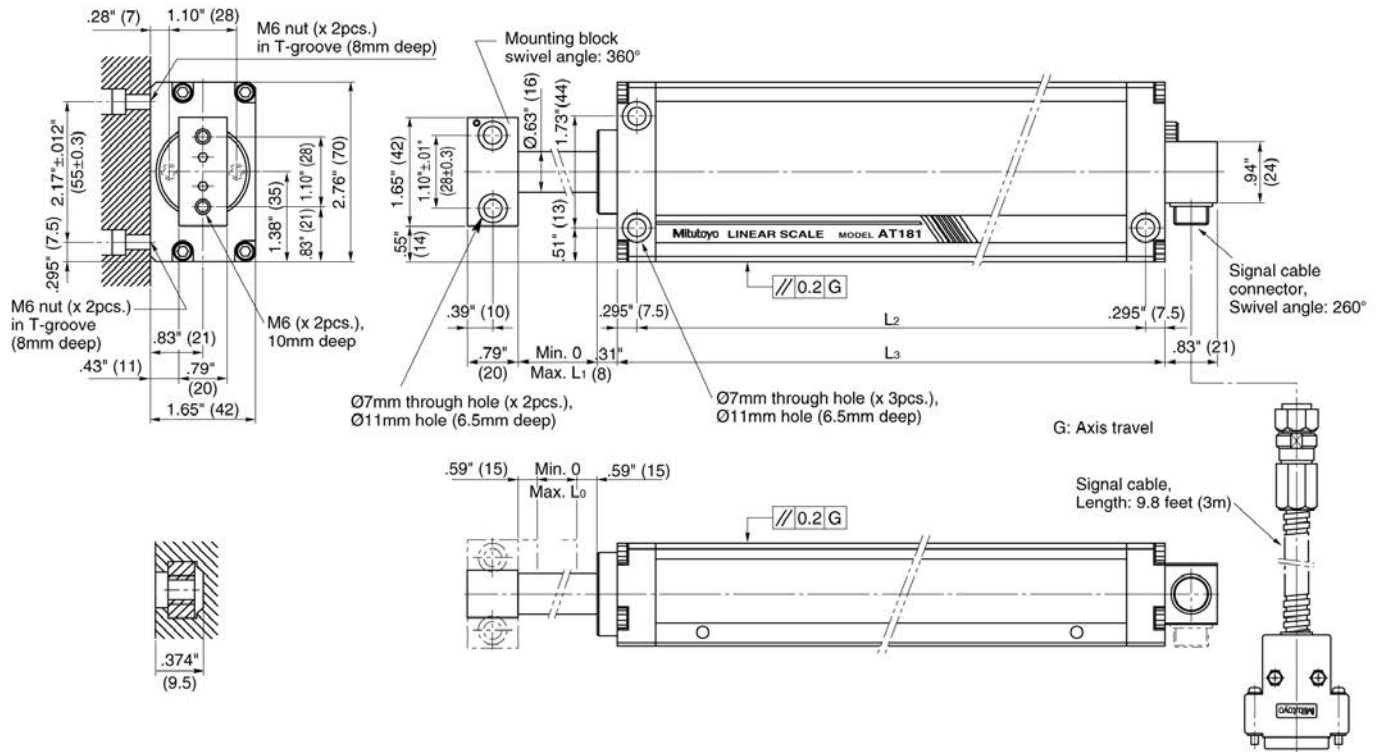
Effective range L ₀ inch (mm)	Mount interval L ₁ inch (mm)	Overall length L ₂ inch (mm)	Signal cable length inch (mm)	Mass lbs. (kg)
1.5" (50)	5.63" (143)	6.10" (155)	9.8 (3)	1.58 (0.72)
2.5" (70)	6.42" (163)	10.89" (175)	9.8 (3)	1.63 (0.74)
4.5" (120)	8.39" (213)	8.86" (225)	9.8 (3)	1.76 (0.80)
6.5" (170)	10.35" (263)	10.83" (275)	9.8 (3)	1.87 (0.85)
8.5" (220)	12.32" (313)	12.80" (325)	9.8 (3)	1.98 (0.90)
10.5" (270)	14.29" (363)	14.76" (375)	9.8 (3)	2.09 (0.95)
12.5" (320)	16.26" (413)	16.73" (425)	9.8 (3)	2.20 (1.00)
14.5" (370)	18.23" (463)	18.70" (475)	9.8 (3)	2.31 (1.05)
16.5" (420)	20.20" (513)	20.67" (525)	9.8 (3)	2.42 (1.10)
18.5" (470)	22.17" (563)	22.64" (575)	9.8 (3)	2.53 (1.15)
20" (520)	24.13" (613)	24.61" (625)	9.8 (3)	2.64 (1.20)
22" (570)	26.10" (663)	26.57" (675)	9.8 (3)	2.75 (1.25)
24" (620)	28.07" (713)	28.54" (725)	9.8 (3)	2.86 (1.30)
26" (670)	30.04" (763)	30.51" (775)	9.8 (3)	2.97 (1.35)
28" (720)	32.01" (813)	32.48" (825)	9.8 (3)	3.08 (1.40)
30" (770)	33.98" (863)	34.45" (875)	9.8 (3)	3.19 (1.45)
32" (820)	35.94" (913)	36.42" (925)	9.8 (3)	3.30 (1.50)
36" (920)	39.88" (1013)	40.35" (1025)	9.8 (3)	3.43 (1.56)
40" (1020)	43.82" (1113)	44.29" (1125)	9.8 (3)	3.56 (1.62)

Note) When selecting the size of a Linear Scale for your application, make sure that the maximum travel range of the Linear Scale (L₁) is larger than the maximum travel range of the machine. Also, take into consideration in selecting a size that the accuracy of the Linear Scale is guaranteed only within the range of the effective measuring length (L₀).

Mounting parts (provided as standard)

Items included	Quantity
• Hex-socket head screw (M4x0.7x20)	4 pcs.
• Hex-socket head screw (M4x0.7x8)	6 pcs.
• Spring washer (4mm nominal)	4 pcs.
• Plain washer (4mm nominal)	4 pcs.
• Cable clip	5 pcs.
• Connector clamp	1 pc.
• Spacer (0.3mm)	1 pc.
• Spacer (0.4mm)	1 pc.
• Spacer (0.5mm)	1 pc.
• Spacer (0.6mm)	1 pc.

units: inch (mm)



Mounting dimensions

Effective range L ₀ inch (mm)	Travel range L ₁ inch (mm)	Mount interval L ₂ inch (mm)	Main spar length L ₃ inch (mm)	Signal cable length feet (m)	Mass lbs. (kg)
4" (100)	5.11" (130)	10.04" (255)	10.63" (270)	9.8 (3)	3.74 (1.7)
6" (150)	7.08" (180)	12.01" (305)	12.60" (320)	9.8 (3)	4.18 (1.9)
8" (200)	9.05" (230)	13.98" (355)	14.57" (370)	9.8 (3)	4.62 (2.1)
10" (250)	11.02" (280)	15.94" (405)	16.54" (420)	9.8 (3)	5.06 (2.3)
12" (300)	12.99" (330)	17.91" (455)	18.50" (470)	9.8 (3)	5.50 (2.5)
14" (350)	14.96" (380)	19.88" (505)	20.47" (520)	9.8 (3)	5.94 (2.7)
16" (400)	16.93" (430)	21.85" (555)	22.44" (570)	9.8 (3)	6.38 (2.9)
18" (450)	18.90" (480)	23.82" (605)	24.41" (620)	9.8 (3)	6.82 (3.1)
20" (500)	20.87" (530)	25.79" (655)	26.38" (670)	9.8 (3)	7.26 (3.3)
22" (550)	22.83" (580)	27.76" (705)	28.35" (720)	9.8 (3)	7.70 (3.5)
24" (600)	24.83" (630)	29.72" (755)	30.31" (770)	9.8 (3)	8.14 (3.7)

Note) When selecting the size of a Linear Scale for your application, make sure that the maximum travel range of the Linear Scale (L₁) is larger than the maximum travel range of the machine. Also, take into consideration in selecting a size that the accuracy of the Linear Scale is guaranteed only within the range of the effective measuring length (L₀).

Foot switches

Connects to the external load/zero cable (06ACF941) when also using the optional RS-232C card of KA, KS and KC counters. The foot switch can be used to output the displayed data.



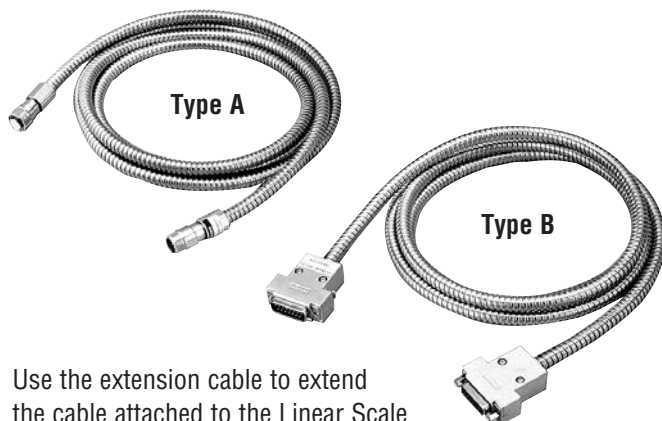
Model No. **965004** List Price \$131.00

Connects to the built-in touch-probe port on the back of the KA Counter and triggers RS-232C output when using the optional RS-232C card (09CAB217)



Model No. **64AAB336** List Price \$77.40

Extension cables



Use the extension cable to extend the cable attached to the Linear Scale when the Linear Scale and the counter are placed far apart.

The Type A extension cable is provided with a water-proof connector. (The Type A is not compatible with the AT115, AT116 and AT715 Linear Scale units.)

Extension Cables Type A for AT102/103/111/112/113/181 (Only)

Cable Length	Order No.	Mass	Remarks	List Price
6.5 ft (2m)	09AAA033A	0.35kg	Armored Cable	\$104.00
16.4 ft (5m)	09AAA033B	0.75kg	Armored Cable	\$134.00
22.9 ft (7m)	09AAA033C	1.01kg	Armored Cable	\$163.00

Note: Do not allow the entire length of the cables to exceed 20m.

Extension Cables Type B for AT715/AT115/AT116 and AT102/103/111/112/113/181

Cable Length	Order No.	Mass	Remarks	List Price
6.5 ft (2m)	09AAB674A	0.35kg	Armored Cable	\$108.00
16.4 ft (5m)	09AAB674B	0.75kg	Armored Cable	\$147.00
22.9 ft (7m)	09AAB674C	1.01kg	Armored Cable	\$176.00

Note: Do not allow the entire length of the cables to exceed 20m.



09AAA207



09AAA198

Adapter Cross Reference

(for adapting old Linear Scales to new counters,
or new Linear Scales to old counters)

	Linear Scale Series No's.	Adapter No.	Counters	List Price
Old Linear Scales with 6 pin round connectors	FOR AT2-N, AT2, AT-11N, AT11, AT12N (529 Series)	09AAA207	All KA, KS, KC, UDR Series Counters with 15 pin connectors. (All 174 Series)	\$54.80
		09AAA181	For all .0001" resolution counters with seven pin round connectors	\$77.20
New Linear Scales w/15 pin D-Sub connectors	FOR AT102, AT103, AT111, AT112, AT113, AT115, AT116, AT181	09AAA181V*	APL Counter 164-660*, 164-661*, 164-662* MPK-2L 983-352	\$67.35
		09AAA198	For all .0005" resolution counters with six pin round connectors	\$69.70
		09AAA198V*	APL Counter 164-660*, 164-661*, 164-662*, 164-563*, 164-664*, 164-665* PL and PL Zero Output Counter 164-252A, 164-254A, 164-295A	\$69.70

* V = Vertical type

When only replacing one linear scale, you can use either horizontal or vertical type adapter

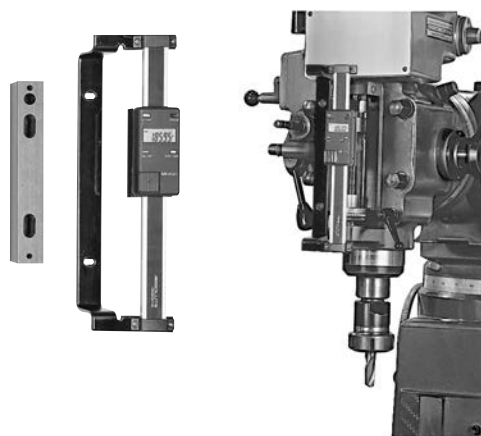
Quill Kit with Absolute Encoder

Easy Installation

Fits Most Vertical Knee Mills

Features

- Easy to read LCD with resolution of .0005"/0.01mm.
- Push button controls for inch/mm, Zero-Set and On/Off.
- Powered by a single SR-44 Battery which lasts about 1 year with normal use.
- SPC Output for data transmission to Data Processors or a Remote Display.



The Mitutoyo Quill Kit mounted on a vertical mill.

Specifications

Quill Kit

Order No.	Description	List Price
053906B	Digimatic Quill Kit complete with brackets & scale for Bridgeport Type machines.	\$306.00

Digimatic Scale Units with Absolute Encoder

Series 572

MITUTOYO'S new Absolute Digimatic Scale Unit offers special functions which allow it to always remember its measuring position even after the gage has been switched off.



Single Function Type

Horizontal					Dimension		
Order No.	List Price	Range	Resolution	Accuracy	L1	L2	t
572-210-20	\$235.00	4"/100mm	.0005"/0.01mm	.001"	8.228"	7.283"	.138"
572-211-20	\$249.00	6"/150mm	.0005"/0.01mm	.001"	10.197"	9.252"	.138"
572-212-20	\$290.00	8"/200mm	.0005"/0.01mm	.001"	12.244"	11.299"	.138"
572-213-10	\$559.00	12"/300mm	.0005"/0.01mm	.002"	17.5"	16.5"	.150"

See page number 30 for scale dimension data.

Function

- ZERO/ABS changeover
- Origin-setting
- Inch/mm conversion
- Data output
- Data hold (with optional Data Hold Switch)

Vertical					Dimension		
Order No.	List Price	Range	Resolution	Accuracy	L1	L2	t
572-310-10	\$260.00	4"/100mm	.0005"/0.01mm	.001"	9.606"	8.661"	.150"
572-311-10	\$276.00	6"/150mm	.0005"/0.01mm	.001"	11.575"	10.630"	.150"
572-312-10	\$320.00	8"/200mm	.0005"/0.01mm	.001"	13.543"	12.598"	.150"
572-313-10	\$616.00	12"/300mm	.0005"/0.01mm	.002"	17.480"	16.535"	.150"

See page number 30 for scale dimension data.

Function

- ZERO/ABS changeover
- Origin-setting
- Inch/mm conversion
- Data hold (with optional Data Hold Switch)



Multi-Function Type

Order No.		List Price	Range	Resolution	Accuracy	Dimension		
Horizontal	Vertical					L1	L2	t
572-470	572-570	\$494.00	4"/100mm	.0005"/0.01mm	.001"/0.03mm	9.606	8.661"	0.150"
572-471	572-571	\$517.00	6"/150mm	.0005"/0.01mm	.001"/0.03mm	11.575"	10.630"	0.150"
572-472	572-572	\$563.00	8"/200mm	.0005"/0.01mm	.001"/0.03mm	13.543"	12.598"	0.150"
572-473	572-573	\$647.00	12"/300mm	.0005"/0.01mm	.002"/0.04mm	17.480"	16.535"	0.150"
572-474	572-574	\$782.00	18"/450mm	.0005"/0.01mm	.002"/0.04mm	23.386"	22.441"	0.236"
572-475	572-575	\$867.00	24"/600mm	.0005"/0.01mm	.002"/0.04mm	30.472"	29.528"	0.236"
572-476	572-576	\$1,380.00	32"/800mm	.0005"/0.01mm	.0025"/0.06mm	38.346"	37.402"	0.394"
572-477	572-577	\$1,500.00	40"/1000mm	.0005"/0.01mm	.0025"/0.06mm	46.220"	45.276"	0.394"

See page numbers 30 and 31 for Digimatic Scale dimension data and spacer information.

Function

- ZERO/ABS changeover
- Origin-setting
- Inch/mm conversion
- Data output
- Data hold
- Presetting
- Counting direction changeover



Multi-Function Double Reading Type

Order No.		List Price	Range	Resolution	Accuracy	Dimension		
Horizontal	Vertical					L1	L2	t
572-490-10	572-590-10	\$543.00	4"/100mm	.0005"/0.01mm	.001"/0.03mm	9.606	8.661"	0.150"
572-491-10	572-591-10	\$571.00	6"/150mm	.0005"/0.01mm	.001"/0.03mm	11.575"	10.630"	0.150"
572-492-10	572-592-10	\$620.00	8"/200mm	.0005"/0.01mm	.001"/0.03mm	13.543"	12.598"	0.150"
572-493-10	572-593-10	\$711.00	12"/300mm	.0005"/0.01mm	.002"/0.04mm	17.480"	16.535"	0.150"
572-494-10	572-594-10	\$861.00	18"/450mm	.0005"/0.01mm	.002"/0.04mm	23.386"	22.441"	0.236"
572-495-10	572-595-10	\$953.00	24"/600mm	.0005"/0.01mm	.002"/0.04mm	30.472"	29.528"	0.236"
572-496-10	572-596-10	\$1,500.00	32"/800mm	.0005"/0.01mm	.0025"/0.06mm	38.346"	37.402"	0.394"
572-497-10	572-597-10	\$1,680.00	40"/1000mm	.0005"/0.01mm	.0025"/0.06mm	46.220"	45.276"	0.394"

See page number 31 for Digimatic Scale dimension data and spacer information.



Digimatic Scale Units with Absolute Encoder

Series 572

MITUTOYO'S new Absolute Digimatic Scale Unit offers special functions which allow it to always remember its measuring position even after the gage has been switched off.



Single Function Type

Horizontal					Dimension		
Order No.	List Price	Range	Resolution	Accuracy	L1	L2	t
572-200-20	\$260.00	100mm	0.01mm	0.03mm	209mm	185mm	3.5mm
572-201-20	\$249.00	150mm	0.01mm	0.03mm	259mm	235mm	3.5mm
572-202-20	\$290.00	200mm	0.01mm	0.03mm	311mm	287mm	3.5mm
572-203-10	\$539.00	300mm	0.01mm	0.04mm	444mm	420mm	3.8mm

See page number 30 for Digimatic Scale dimension data

Function

- ZERO/ABS changeover
- Origin-setting
- Inch/mm conversion
- Data output
- Data hold (with optional Data Hold Switch)

Vertical					Dimension		
Order No.	List Price	Range	Resolution	Accuracy	L1	L2	t
572-300-10	\$260.00	100mm	0.01mm	0.03mm	244mm	220mm	3.8mm
572-301-10	\$276.00	150mm	0.01mm	0.03mm	294mm	270mm	3.8mm
572-302-10	\$320.00	200mm	0.01mm	0.03mm	344mm	320mm	3.8mm
572-303-10	\$616.00	300mm	0.01mm	0.04mm	444mm	420mm	3.8mm

See page number 30 for Digimatic Scale dimension data.

Function

- ZERO/ABS changeover
- Origin-setting
- Inch/mm conversion
- Data hold (with optional Data Hold Switch)

Multi-Function Type

Order No.						Dimension		
Horizontal	Vertical	List Price	Range	Resolution	Accuracy	L1	L2	t
572-460	572-560	\$494.00	100mm	0.01mm	0.03mm	244mm	220mm	3.8mm
572-461	572-561	\$517.00	150mm	0.01mm	0.03mm	294mm	270mm	3.8mm
572-462	572-562	\$563.00	200mm	0.01mm	0.03mm	344mm	320mm	3.8mm
572-463	572-563	\$647.00	300mm	0.01mm	0.04mm	444mm	420mm	3.8mm
572-464	572-564	\$782.00	450mm	0.01mm	0.04mm	594mm	570mm	6mm
572-465	572-565	\$867.00	600mm	0.01mm	0.05mm	774mm	750mm	6mm
572-466	572-566	\$1,340.00	800mm	0.01mm	0.06mm	974mm	950mm	10mm
572-467	572-567	\$1,500.00	1000mm	0.01mm	0.07mm	1174mm	1150mm	10mm

See page numbers 30 and 31 for Digimatic Scale dimension data and spacer information.

Function

- ZERO/ABS changeover
- Origin-setting
- Inch/mm conversion
- Data output
- Data hold
- Presetting
- Counting direction changeover

Multi-Function Double Reading Type

Order No.						Dimension		
Horizontal	Vertical	List Price	Range	Resolution	Accuracy	L1	L2	t
572-480-10	572-580-10	\$543.00	100mm	0.01mm	0.03mm	244mm	220mm	3.8mm
572-481-10	572-581-10	\$571.00	150mm	0.01mm	0.03mm	294mm	270mm	3.8mm
572-482-10	572-582-10	\$620.00	200mm	0.01mm	0.03mm	344mm	320mm	3.8mm
572-483-10	572-583-10	\$711.00	300mm	0.01mm	0.04mm	444mm	420mm	3.8mm
572-484-10	572-584-10	\$861.00	450mm	0.01mm	0.04mm	594mm	570mm	6mm
572-485-10	572-585-10	\$953.00	600mm	0.01mm	0.05mm	774mm	750mm	6mm
572-486-10	572-586-10	\$1,500.00	800mm	0.01mm	0.06mm	974mm	950mm	10mm
572-487-10	572-587-10	\$1,680.00	1000mm	0.01mm	0.07mm	1174mm	1150mm	10mm

See page number 31 for Digimatic Scale dimension data and spacer information.

Function

- x1,x2 changeover
- ZERO/ABS changeover
- Origin-setting
- Inch/mm conversion
- Data output
- Data hold
- Presetting
- Counting direction changeover

IP66 Coolant Proof, Single Function Type Horizontal



Order No.	List Price	Range	Resolution	Accuracy	L1	L2	t
572-613	\$284.00	4"/100mm	.0005"/0.01mm	.001"/0.03mm	8.29"/209mm	7.28"/185mm	.13"/3.5mm
572-614	\$309.00	6"/150mm	.0005"/0.01mm	.001"/0.03mm	10.20"/259mm	9.25"/235mm	.13"/3.5mm
572-615	\$416.00	8"/200mm	.0005"/0.01mm	.001"/0.03mm	12.24"/311mm	11.30"/287mm	.13"/3.5mm
572-600	\$285.00	100mm	0.01mm	0.03mm	209mm	185mm	3.5mm
572-601	\$309.00	150mm	0.01mm	0.03mm	259mm	235mm	3.5mm
572-602	\$416.00	200mm	0.01mm	0.03mm	311mm	287mm	3.5mm

EC Counter

Series 542 — Low-cost, Assembly Type Display for Digimatic Scale Units



Features

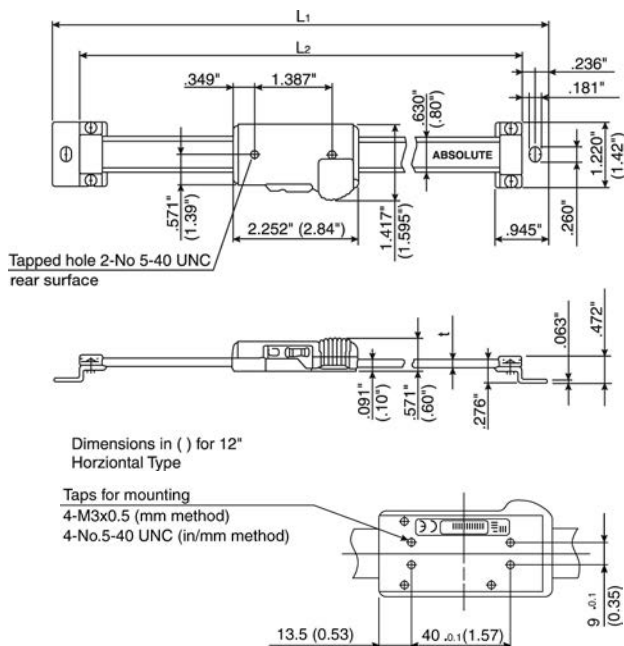
- Employ the panel mount DIN size (96x48mm) to facilitate system integration.
- Possible to produce either tolerance judgement output or Digimatic output.

Specifications

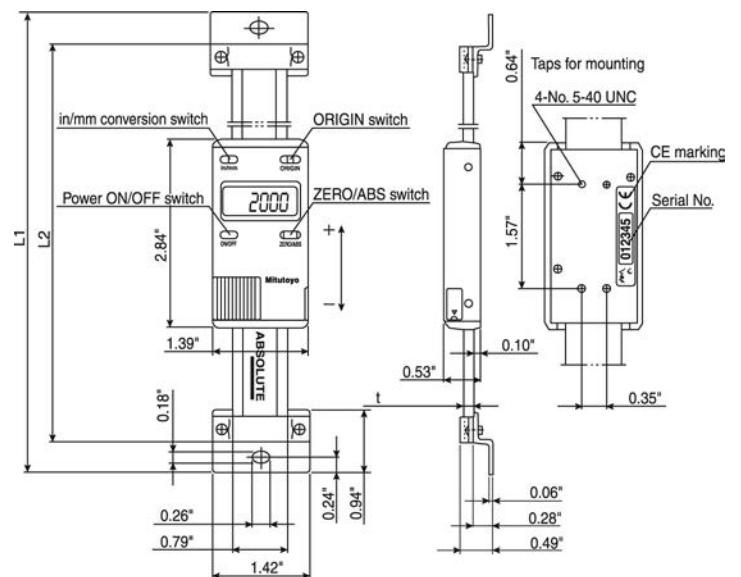
Order No.	542-007A
List Price	\$353.00
Applicable input	Digimatic code (SPC)
Applicable scale	572 Series Digimatic Scale
Number of scale input	1
Resolution	0.01mm / .0005"
Display	6-digit and a negative [-] sign LED (Amber, Green, Red)

Series 572 Digimatic Units with Absolute Encoder

SINGLE FUNCTION TYPE Horizontal



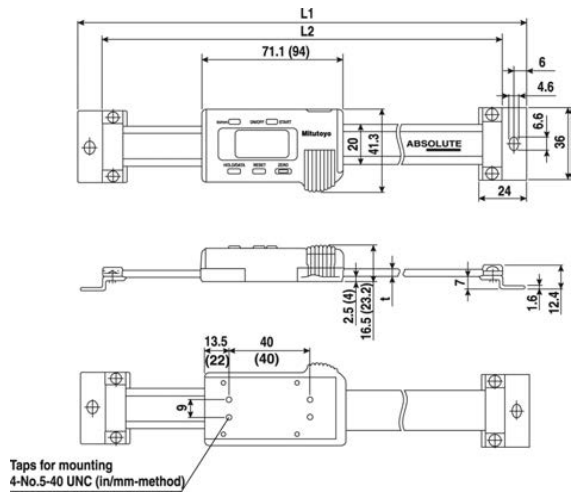
SINGLE FUNCTION TYPE Vertical



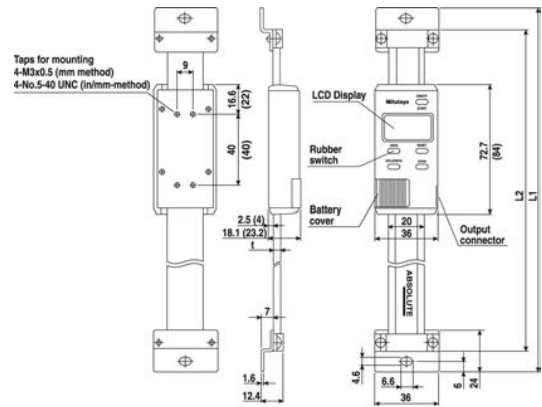
Digimatic Scale Units with Absolute Encoder

Series 572

MULTI FUNCTION TYPE Horizontal

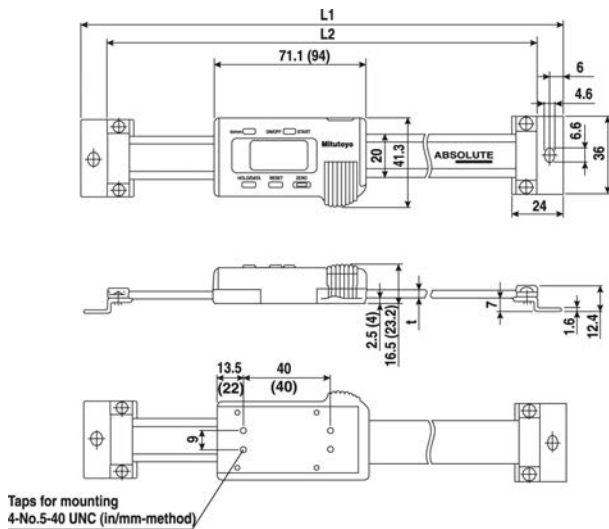


MULTI FUNCTION TYPE Vertical

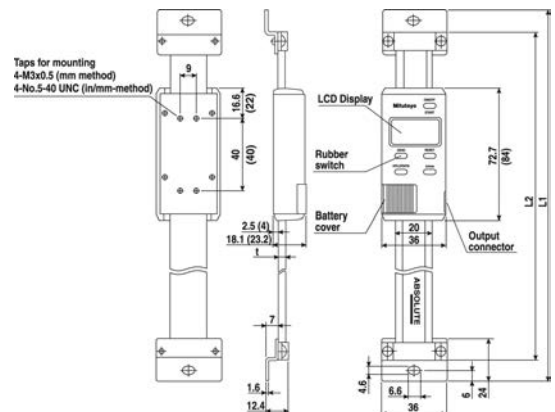


Dimensions in () for over 18"

MULTI FUNCTION DOUBLE READING TYPE Horizontal



MULTI FUNCTION DOUBLE READING TYPE Vertical



Attention:

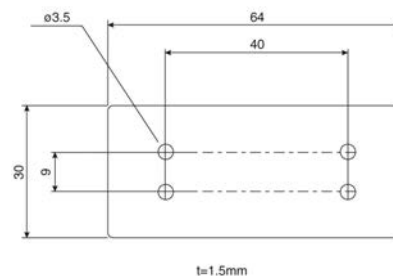
When substituting a new style Digimatic Scale for a discontinued style which is listed below, a spacer (Part No. 05DAA438) is required due to mounting dimension differences.

Measuring range	4"	6"	8"	12"
Code No.	572-430	572-431	572-432	572-433
	572-530	572-531	572-532	572-533
	572-450	572-451	572-452	572-453
	572-550	572-551	572-552	572-553

Spacer

Order No. 05DAA438

List Price \$11.20



Pulse Signal Conversion Interface

Features

- +5VDC external power supply.
- Applicable with Linear Scales with the sinusoidal signal output.
- Quadrature signal output (conforming to EIA standard RS422-A).
- Alarm function for detecting broken wires or short circuits in the detector, over-speed and fluctuation errors in the input signal from the detector.
- LED indications. Origin signal input Alarm for power supply (voltage drop and noise)
- DIP switch functions. Direction switching. Mode switching (high impedance/alarm signal output). Division selection (4/8/10/20/40/80/100/200) Min. edge interval selection (1000/500/250/125/62.5ns)

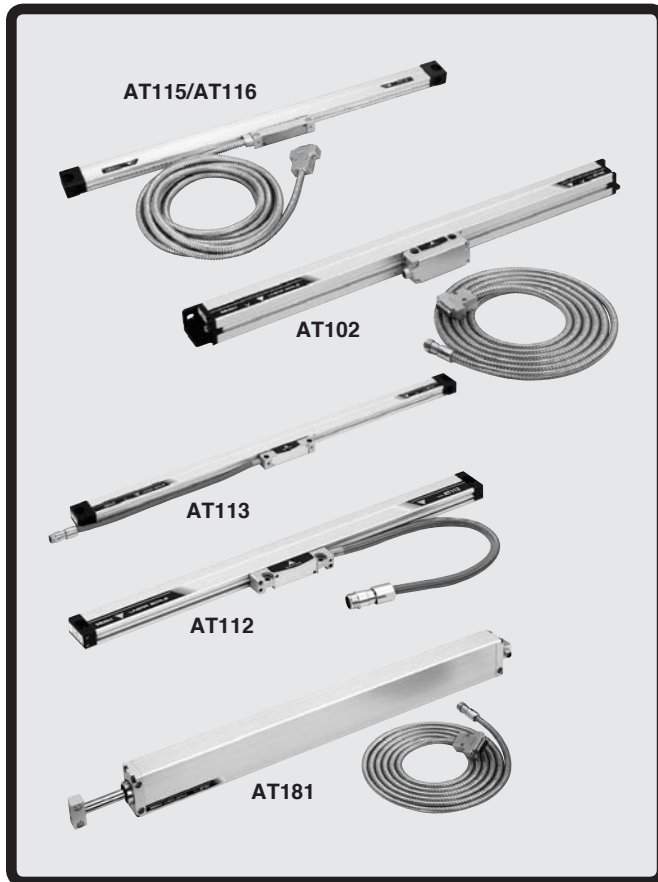


Order No.	Model Name	List Price
539-005	PSU-200	\$464.00

Specifications

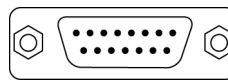
Number of axes	1 axis
Number of deviation	4, 8, 10, 20, 40, 80, 100 or 200 (switchable)
Functions	Division setting: 4/8/10/20/40/80/100/200 Min. edge interval setting: 1000/500/250/125/62.5ns Direction switching LED for alarm indication: Broken wires and short circuits in the Linear Scale, abnormal signal, over speed Alarm output mode switching: High impedance output/alarm signal output External alarm reset (photo-coupler input) LED for origin detection LED for low-level power supply voltage warning
Power supply	5VDC±5% on the power terminal
Consumption	200mA (except the scale)
Operating temperature	0°C to 40°C
Mass	Approx. 620g (1.4 lbs)

Applicable Linear Scale*

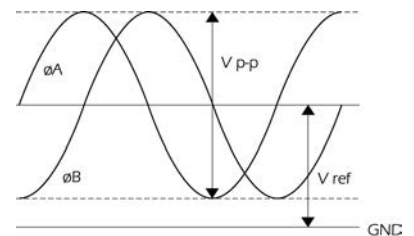


Input Connector

■ Connector:
D-Sub 15S



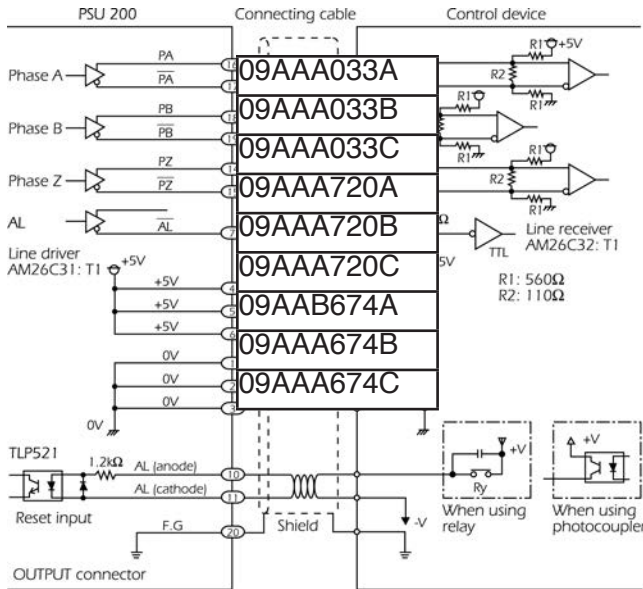
Pin No.	Signal name
1, 2	0V
3, 4	+5V
5	ØA
6	ØB
7	Vref
8	ØZ
9	AL
10 - 14	NC
15	F.GND



V ref ≈ 2.5V
V p-p = 2V

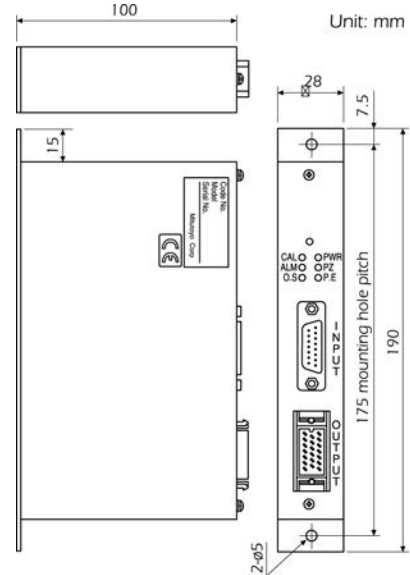
*Does not work with AT715 Electromagnetic Scales

Arrangement of cable connection



Reset input: Design the connection so that the current of the alarm reset input is between 3mA and 10mA. An alarm can be reset by supplying a voltage of 5V to 12V between the anode and cathode terminals because a resistor (1.2kΩ) is provided inside the PSU200. If the voltage is greater than 12V, add an appropriate external resistor.

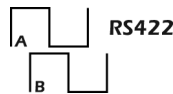
Dimensions



Maximum response speed

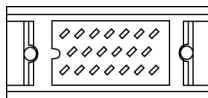
Deviation	Min. edge interval ^{*3}	Input signal pitch ^{*2}		
		4μm	8μm	20μm
4	62.5ns	120m/min	240m/min	600m/min
	125ns	120m/min	240m/min	600m/min
	250ns	120m/min	240m/min	600m/min
	500ns	120m/min	240m/min	600m/min
	1ms	60m/min	120m/min	300m/min
8	62.5ns	120m/min	240m/min	600m/min
	125ns	120m/min	240m/min	600m/min
	250ns	120m/min	240m/min	600m/min
	500ns	60m/min	120m/min	300m/min
	1ms	30m/min	60m/min	150m/min
10	62.5ns	120m/min	240m/min	600m/min
	125ns	120m/min	240m/min	600m/min
	250ns	96m/min	192m/min	480m/min
	500ns	48m/min	96m/min	240m/min
	1ms	24m/min	48m/min	120m/min
20	62.5ns	120m/min	240m/min	600m/min
	125ns	96m/min	192m/min	480m/min
	250ns	48m/min	96m/min	240m/min
	500ns	24m/min	48m/min	120m/min
	1ms	12m/min	24m/min	60m/min
40	62.5ns	96m/min	192m/min	480m/min
	125ns	48m/min	96m/min	240m/min
	250ns	24m/min	48m/min	120m/min
	500ns	12m/min	24m/min	60m/min
	1ms	6m/min	12m/min	30m/min
80	62.5ns	48m/min	96m/min	240m/min
	125ns	24m/min	48m/min	120m/min
	250ns	12m/min	24m/min	60m/min
	500ns	6m/min	12m/min	30m/min
	1ms	3m/min	6m/min	15m/min
100	62.5ns	38.4m/min	76.8m/min	192m/min
	125ns	19.2m/min	38.4m/min	96m/min
	250ns	9.6m/min	19.2m/min	48m/min
	500ns	4.8m/min	9.6m/min	24m/min
	1ms	2.4m/min	4.8m/min	12m/min
200	62.5ns	19.2m/min	38.4m/min	96m/min
	125ns	9.6m/min	19.2m/min	48m/min
	250ns	4.8m/min	9.6m/min	24m/min
	500ns	2.4m/min	4.8m/min	12m/min
	1ms	1.2m/min	2.4m/min	6m/min

* The maximum response speed may be limited depending on the response speed of the Linear Scale itself.

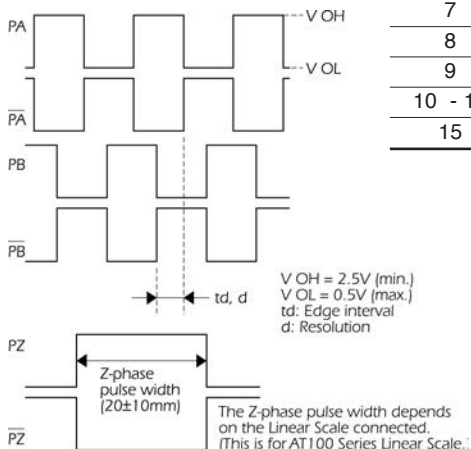


Output Connector

- **Connector:** MR20RM [Manufacturer: Honda Tsushin]
- **Applicable plug (standard accessory):** MR20LF [Manufacturer: Honda Tsushin]



Pin No.	Signal name
1, 2	0V
3, 4	+5V
5	ØA
6	ØB
7	Vref
8	ØZ
9	AL
10 - 14	NC
15	F.GND



Replacement Parts

Order No.	Description	List Price	Remark
09AAA077	AT102 Read Head	\$293.00	Less than 3250mm
09AAA278	AT102 Read Head for Extra-Long Scale	\$385.00	3250mm and Longer
06ADK738	AT103 Read Head	\$361.00	
09AAA135	AT111 Read Head	\$323.00	
09AAA006	AT112 Read Head	\$312.00	
06ACX822	AT113 Read Head	\$393.00	
09AAA607A	AT115 Read Head (3m cable)	\$344.00	
09AAA607B	AT115 Read Head (5m cable)	\$344.00	
09AAB661A	AT715 Read Head		* Special calibration required. Contact Mitutoyo.
09AAA030A	Signal Cable (9.9'/3m)	\$148.00	For AT102, 103, 111, 112, 181
09AAA030B	Signal Cable (16.5'/5m)	\$199.00	For AT102, 103, 111, 112, 181
09AAA030C	Signal Cable (23.1'/7m)	\$242.00	For AT102, 103, 111, 112, 181
09AAA030D	Signal Cable (10m)	\$302.00	For AT102, 103, 111, 112, 181
09AAA030E	Signal Cable (15m)	\$364.00	For AT102, 103, 111, 112, 181

Note: AT116 reader head, please contact Mitutoyo

Extension Cables

Order No.	Description	List Price
09AAA033A	2m-For AT102,103,111,112,113,181	\$104.00
09AAA033B	5m-For AT102,103,111,112,113,181	\$134.00
09AAA033C	7m-For AT102,103,111,112,113,181	\$163.00
09AAB674A	2m-For AT715, AT115, 116	\$108.00
09AAA674B	5m-For AT715, AT115, 116	\$147.00
09AAA674C	7m-For AT715, AT115, 116	\$176.00

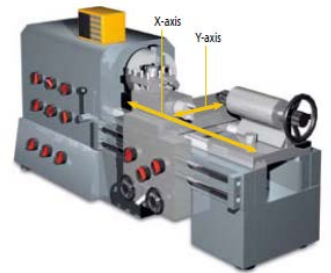
Lip Seal Replacements

Order No.	Description	Length (in)	Cut Length (in)	Applicable Linear Scales	List Price	
64AAB153	DUST PROOF LIP SEAL, STD TYPE, 20"	20	21	AT102, AT103, AT300, AT203, AT2, AT21, AT31	\$5.05	
64AAB154	DUST PROOF LIP SEAL, STD TYPE, 40"	40	41		\$10.50	
64AAB155	DUST PROOF LIP SEAL, STD TYPE, 60"	60	61		\$15.90	
64AAB156	DUST PROOF LIP SEAL, STD TYPE, 80"	80	81		\$21.20	
64AAB157	DUST PROOF LIP SEAL, STD TYPE, 100"	100	101		\$27.15	
64AAB158	DUST PROOF LIP SEAL, STD TYPE, 120"	120	121		\$32.05	
64AAB159	DUST PROOF LIP SEAL, STD TYPE, 140"	140	141		\$35.65	
64AAB160	DUST PROOF LIP SEAL, STD TYPE, 160"	160	161		\$40.00	
64AAB161	DUST PROOF LIP SEAL, STD TYPE, 180"	180	181		\$44.90	
64AAB162	DUST PROOF LIP SEAL, STD TYPE, 200"	200	201		\$49.65	
64AAB163	DUST PROOF LIP SEAL, STD TYPE, 220"	220	221		\$54.60	
64AAB164	DUST PROOF LIP SEAL, STD TYPE, 240"	260	261		\$59.50	
64AAB165	DUST PROOF LIP SEAL, SLIM TYPE, 20"	20	21		AT111, AT112(F), AT113, AT114, AT115, AT116, AT715, AT500, AT211, AT11, AT12, Digimatic DRO Systems	\$9.95
64AAB166	DUST PROOF LIP SEAL, SLIM TYPE, 40"	40	41			\$19.20
64AAB167	DUST PROOF LIP SEAL, SLIM TYPE, 60"	80	81	\$25.90		

Note: Sold per piece. Order 2 pieces for a pair.



America Corporation
Scale Units & Display Counters
Linear Scale DRO Systems



Linear Scale System Quotation Worksheet

Linear Scales/Encoders is the movement of the machine table stated in terms of direction, distance, and location: Left or Right (X), Front to Back (Y) and Up or Down (Z)

1. Machine Type / Make (Grinding, EDMs, Milling, Turning, CNC, Lathe, Other):

2. Linear Scale Type (Circle One)

(STANDARD) (SLIM) (SUPER SLIM) (PLUNGER TYPE) (OPEN-SEPARATE TYPE)

3. Machine Measuring Travels:

(X) _____ (Y) _____ (Z) _____ (OTHER) _____

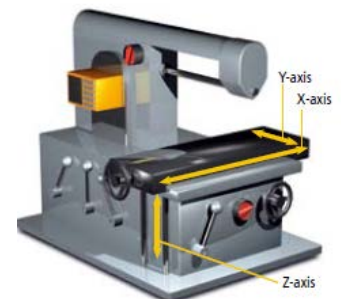
4. Resolution/Accuracy/Interface Requirements (FANUC, Mitsubishi, Yaskawa, Mitutoyo, etc.):

5. Machine Travel Speed/Counting Requirement:

6. Brackets, Extension Cables, Data Management Accessories, Needed?

DistributedBy _____

Mitutoyo America Corporation
 965 Corporate Blvd.
 Aurora, IL. 60502-9176 Toll Free (888)648-8869 | Fax: 630-978-3501
 Email: customer.service@mitutoyo.com



3-axes KA counter + three scales



Part No.	Description	Price	Code	Part No.	Description	Price	Code
053906B	QUILL KIT	306.00	D	539-116-10	AT102 SCALE, 350MM	823.00	D
05DAA438	SPACER	11.20	G	539-116-30	AT103 SCALE, 350MM	540.00	D
06ACF941	EXTERNAL CABLE	213.00	R	539-116-40	AT103 SCALE, 350MM	675.00	D
06ACX822	AT113 DETECTOR ASSY	393.00	G	539-117-30	AT103 SCALE, 400MM	594.00	D
06ADK738	AT103 DETECTOR ASSY	361.00	G	539-117-40	AT103F, 400MM	743.00	D
09AAA006	DETECTOR ASSY FOR AT112	312.00	G	539-118-30	AT103 SCALE, 450MM	636.00	D
09AAA030A	CONNECTING CABLE 3M, AT100	148.00	R	539-118-40	AT103F, 450MM	794.00	D
09AAA030B	CONNECTING CABLE 5M, AT100	199.00	R	539-119-30	AT103 SCALE, 500MM	661.00	D
09AAA030BK	SIGNAL CABLE ASSY FOR AT102	102.00	G	539-119-40	AT103F, 500MM	826.00	D
09AAA030C	CONNECTING CABLE 7M, AT100	242.00	R	539-121-30	AT103 SCALE, 600MM	728.00	D
09AAA030CK	SIGNAL CABLE ASSY FOR AT102	126.00	G	539-121-40	AT103 SCALE, 600MM	911.00	D
09AAA030D	CONNECTING CABLE 10M, AT100	302.00	R	539-123-30	AT103 SCALE, 700MM	813.00	D
09AAA030E	CONNECTING CABLE 15M	364.00	R	539-123-40	AT103F, 700MM	1,020.00	D
09AAA033A	EXTENSION CABLE 2M	104.00	R	539-124-30	AT103 SCALE, 750MM	843.00	D
09AAA033B	EXTENSION CABLE 5M	134.00	R	539-124-40	AT103 SCALE, 750MM	1,050.00	D
09AAA033C	EXTENSION CABLE 7M	163.00	R	539-125-30	AT103 SCALE, 800MM	893.00	D
09AAA077	DETECTOR ASSY	293.00	G	539-125-40	AT103 SCALE, 800MM	1,120.00	D
09AAA135	DETECTOR ASSY	323.00	G	539-126-30	AT103 SCALE, 900MM	948.00	D
09AAA181	ADAPTER 1C	77.20	R	539-126-40	AT103F, 900MM	1,180.00	D
09AAA181V	ADAPTER 1C	67.35	R	539-127-30	AT103 SCALE, 1000MM	1,170.00	D
09AAA198	ADAPTER 5C	69.70	R	539-127-40	AT103F, 1000MM	1,470.00	D
09AAA198V	ADAPTER 5C	69.70	R	539-128-30	AT103 SCALE, 1100MM	1,300.00	D
09AAA207	ADAPTER 5S	54.80	R	539-128-40	AT103 SCALE, 1100MM	1,620.00	D
09AAA278	DETECTOR	385.00	G	539-129-30	AT103 SCALE, 1200MM	1,420.00	D
09AAA607A	DETECTOR ASSY(3m cable)	344.00	G	539-129-40	AT103F, 1200MM	1,780.00	D
09AAA607B	DETECTOR ASSY(5m cable)	344.00	G	539-130-30	AT103 SCALE, 1300MM	1,510.00	D
09AAB661A	DETECTOR ASSY/AT715(3.5M)	208.00	G	539-130-40	AT103F, 1300MM	1,900.00	D
09AAB661B	DETECTOR ASSY FOR AT715	208.00	G	539-131-30	AT103 SCALE, 1400MM	1,620.00	D
09AAB674A	EXTENSION CABLE 2M	108.00	R	539-131-40	AT103 SCALE, 1400MM	2,020.00	D
09AAB674B	EXTENSION CABLE 5M	147.00	R	539-132-30	AT103 SCALE, 1500MM	2,040.00	D
09AAB674C	EXTENSION CABLE 7M	176.00	R	539-132-40	AT103 SCALE, 1500MM	2,540.00	D
09CAB217	RS232C CODEOUT UNIT	259.00	R	539-133-30	AT103 SCALE, 1600MM	2,180.00	D
09CAB293	MAIN P.C.B ASSY, KA 2-AXIS	276.00	G	539-133-40	AT103F, 1600MM	4,180.00	D
09EAA094	RS-232C COUNTER CABLE	300.00	R	539-134-30	AT103 SCALE, 1700MM	2,270.00	D
12AAA882	RS-232C CONNECTING CABLE	103.00	R	539-134-40	AT103F, 1700MM	4,400.00	D
174-146A	DRO COUNTER, KLD-212	2,670.00	D	539-135-30	AT103 SCALE, 1800MM	2,590.00	D
174-146A	DRO COUNTER, KLD-212	2,670.00	D	539-135-40	AT103F, 1800MM	4,670.00	D
174-147A	KLD-214, 120VAC	2,720.00	R	539-136-30	AT103 SCALE, 2000MM	2,870.00	D
174-173A	KA-12 (2-AXIS)	587.00	R	539-136-40	AT103F, 2000MM	5,090.00	D
174-175A	KA-13 (3-AXIS)	864.00	R	539-137-30	AT103 SCALE, 2200MM	3,140.00	D
264-504-5A	DP-1VR, 120V AC	494.00	C	539-138-30	AT103 SCALE, 2400MM	3,450.00	D
529-468-3	AT216-450TL	876.00	D	539-139-30	AT103 SCALE, 2500MM	3,570.00	D
539-005	PSU-200	464.00	R	539-140-30	AT103 SCALE, 2600MM	3,730.00	D
539-111-30	AT103 SCALE, 100MM	510.00	D	539-141-30	AT103 SCALE, 2800MM	3,890.00	D
539-111-40	AT103 SCALE, 100MM	638.00	D	539-142-30	AT103 SCALE, 3000MM	4,280.00	D
539-112-30	AT103 SCALE, 150MM	510.00	D	539-143-30	AT103 SCALE, 3250MM	5,490.00	D
539-112-40	AT103F, 150MM	638.00	D	539-144-30	AT103 SCALE, 3500MM	5,890.00	D
539-113-30	AT103 SCALE, 200MM	527.00	D	539-145	AT102 SCALE, 3750MM	6,240.00	D
539-113-40	AT103F, 200MM	658.00	D	539-145-30	AT103 SCALE, 3750MM	6,060.00	D
539-114-30	AT103 SCALE, 250MM	527.00	D	539-146-30	AT103 SCALE, 4000MM	6,270.00	D
539-114-40	AT103 SCALE, 250MM	658.00	D	539-147-30	AT103 SCALE, 4250MM	6,550.00	D
539-115-30	AT103 SCALE, 300MM	527.00	D	539-148-30	AT103 SCALE, 4500MM	6,910.00	D
539-115-40	AT103F, 300MM	658.00	D	539-149-30	AT103 SCALE, 4750MM	7,090.00	D

Part No.	Description	Price	Code	Part No.	Description	Price	Code
539-150-30	AT103 SCALE, 5000MM	7,390.00	D	539-217-30	AT113 SCALE, 1000MM	1,230.00	D
539-151-30	AT103 SCALE, 5250MM	7,590.00	D	539-217-40	AT113 SCALE, 1000MM	1,970.00	D
539-152-30	AT103 SCALE, 5500MM	7,990.00	D	539-218-30	AT113 SCALE, 1100MM	1,470.00	D
539-153-30	AT103 SCALE, 5750MM	8,210.00	D	539-218-40	AT113 SCALE, 1100MM	2,200.00	D
539-154-30	AT103 SCALE, 6000MM	8,550.00	D	539-219-30	AT113 SCALE, 1200MM	1,600.00	D
539-161-10	AT503 SCALE, 100MM	1,570.00	D	539-219-40	AT113 SCALE, 1200MM	2,310.00	D
539-163-10	AT503 SCALE, 200MM	1,580.00	D	539-220	AT111 SCALE, 1300MM	1,780.00	D
539-165-10	AT503 SCALE, 300MM	1,620.00	D	539-220-30	AT113 SCALE, 1300MM	1,780.00	D
539-167-10	AT503 SCALE, 400MM	1,650.00	D	539-220-40	AT113 SCALE, 1300MM	2,380.00	D
539-169-10	AT503 SCALE, 500MM	1,740.00	D	539-221	AT111 SCALE, 1400MM	1,830.00	D
539-171-10	AT503 SCALE, 600MM	1,790.00	D	539-221-30	AT113 SCALE, 1400MM	1,830.00	D
539-173-10	AT503 SCALE, 700MM	1,820.00	D	539-221-40	AT113 SCALE, 1400MM	2,430.00	D
539-175-10	AT503 SCALE, 800MM	1,880.00	D	539-222-30	AT113 SCALE, 1500MM	2,340.00	D
539-176-10	AT503 SCALE, 900MM	2,030.00	D	539-222-40	AT113 SCALE, 1500MM	2,500.00	D
539-177-10	AT503 SCALE, 1000MM	2,080.00	D	539-251-10	AT112 SCALE, 50MM	785.00	D
539-178-10	AT503 SCALE, 1100MM	2,130.00	D	539-252-10	AT112 SCALE, 70MM	803.00	D
539-179-10	AT503 SCALE, 1200MM	2,160.00	D	539-253-10	AT112 SCALE, 120MM	864.00	D
539-180-10	AT503 SCALE, 1300MM	2,260.00	D	539-254	AT112 SCALE, 170MM	884.00	D
539-181-10	AT503 SCALE, 1400MM	2,320.00	D	539-254-10	AT112 SCALE, 170MM	884.00	D
539-182-10	AT503 SCALE, 1500MM	2,360.00	D	539-255	AT112 SCALE, 220MM	902.00	D
539-183-10	AT503 SCALE, 1600MM	2,460.00	D	539-255-10	AT112 SCALE, 220MM	902.00	D
539-185-10	AT503 SCALE, 1800MM	2,700.00	D	539-256-10	AT112 SCALE, 270MM	927.00	D
539-186-10	AT503 SCALE, 2000MM	2,890.00	D	539-257	AT112 SCALE, 320MM	948.00	D
539-187-10	AT503 SCALE, 2200MM	3,140.00	D	539-257-10	AT112 SCALE, 320MM	948.00	D
539-201-30	AT113 SCALE, 100MM	570.00	D	539-258-10	AT112 SCALE, 370MM	983.00	D
539-201-40	AT113 SCALE, 100MM	741.00	D	539-259-10	AT112 SCALE, 420MM	1,120.00	D
539-202-30	AT113 SCALE, 150MM	580.00	D	539-260-10	AT112 SCALE, 470MM	1,220.00	D
539-202-40	AT113 SCALE, 150MM	755.00	D	539-261-10	AT112 SCALE, 520MM	1,270.00	D
539-203-30	AT113 SCALE, 200MM	624.00	D	539-262-10	AT112 SCALE, 570MM	1,330.00	D
539-203-40	AT113 SCALE, 200MM	777.00	D	539-263-10	AT112 SCALE, 620MM	1,370.00	D
539-204-30	AT113 SCALE, 250MM	644.00	D	539-264-10	AT112 SCALE, 670MM	1,290.00	D
539-204-40	AT113 SCALE, 250MM	799.00	D	539-265-10	AT112 SCALE, 720MM	1,470.00	D
539-205-30	AT113 SCALE, 300MM	649.00	D	539-266	AT112 SCALE, 770MM	1,670.00	D
539-205-40	AT113 SCALE, 300MM	855.00	D	539-266-10	AT112 SCALE, 770MM	1,670.00	D
539-206-30	AT113 SCALE, 350MM	681.00	D	539-267-10	AT112 SCALE, 820MM	1,780.00	D
539-206-40	AT113 SCALE, 350MM	889.00	D	539-268	AT112 SCALE, 920MM	1,910.00	D
539-207-30	AT113 SCALE, 400MM	708.00	D	539-268-10	AT112 SCALE, 920MM	1,910.00	D
539-207-40	AT113 SCALE, 400MM	960.00	D	539-269-10	AT112 SCALE, 1020MM	2,090.00	D
539-208-30	AT113 SCALE, 450MM	764.00	D	539-271	AT115 SCALE, 100MM	369.00	D
539-208-40	AT113 SCALE, 450MM	1,060.00	D	539-271-30	AT116 SCALE, 100MM	369.00	D
539-209-30	AT113 SCALE, 500MM	809.00	D	539-272-30	AT116 SCALE, 150MM	369.00	D
539-209-40	AT113 SCALE, 500MM	1,150.00	D	539-273-30	AT116 SCALE, 200MM	379.00	D
539-211-10	AT111 SCALE, 600MM	1,250.00	D	539-274-30	AT116 SCALE, 250MM	379.00	D
539-211-30	AT113 SCALE, 600MM	884.00	D	539-275-30	AT116 SCALE, 300MM	379.00	D
539-211-40	AT113 SCALE, 600MM	1,250.00	D	539-276-30	AT116 SCALE, 350MM	388.00	D
539-213-30	AT113 SCALE, 700MM	970.00	D	539-277-30	AT116 SCALE, 400MM	427.00	D
539-213-40	AT113 SCALE, 700MM	1,370.00	D	539-278-30	AT116 SCALE, 450MM	459.00	D
539-214-30	AT113 SCALE, 750MM	1,000.00	D	539-279-30	AT116 SCALE, 500MM	476.00	D
539-214-40	AT113 SCALE, 750MM	1,520.00	D	539-281-30	AT116 SCALE, 600MM	525.00	D
539-215-30	AT113 SCALE, 800MM	1,050.00	D	539-283-30	AT116 SCALE, 700MM	570.00	D
539-215-40	AT113 SCALE, 800MM	1,630.00	D	539-284-30	AT116 SCALE, 750MM	609.00	D
539-216-30	AT113 SCALE, 900MM	1,170.00	D	539-285-30	AT116 SCALE, 800MM	644.00	D
539-216-40	AT113 SCALE, 900MM	1,770.00	D	539-286-30	AT116 SCALE, 900MM	684.00	D

Part No.	Description	Price	Code	Part No.	Description	Price	Code
539-287-30	AT116 SCALE, 1000MM	829.00	D	539-416-30	AT203-350	2,050.00	D
539-288	AT115 SCALE, 1100MM	932.00	D	539-417-30	AT203-400	2,120.00	D
539-288-30	AT116 SCALE, 1100MM	932.00	D	539-418-30	AT203-450	2,170.00	D
539-289-30	AT116 SCALE, 1200MM	1,030.00	D	539-419-30	AT203-500	2,210.00	D
539-290-30	AT116 SCALE, 1300MM	1,090.00	D	539-421-30	AT203-600	2,330.00	D
539-291-30	AT116 SCALE, 1400MM	1,150.00	D	539-423-30	AT203-700	2,410.00	D
539-292	AT115 SCALE, 1500MM	1,460.00	D	539-424-30	AT203-750	2,490.00	D
539-292-30	AT116 SCALE, 1500MM	1,460.00	D	539-425-30	AT203-800	2,550.00	D
539-301	AT181 SCALE, 100MM/4"	1,290.00	D	539-426-30	AT203-900	2,670.00	D
539-302	AT181 SCALE, 150MM/6"	1,340.00	D	539-427-30	AT203-1000	2,770.00	D
539-303	AT181 SCALE, 200MM/8"	1,390.00	D	539-428-30	AT203-1100	2,870.00	D
539-304	AT181 SCALE, 250MM/10"	1,410.00	D	539-429-30	AT203-1200	2,970.00	D
539-305	AT181 SCALE, 300MM /12"	1,460.00	D	539-430-30	AT203-1300	3,060.00	D
539-306	AT181 SCALE, 350MM /14"	1,490.00	D	539-431-30	AT203-1400	3,160.00	D
539-307	AT181 SCALE, 400MM /16"	1,550.00	D	539-432-30	AT203-1500	3,250.00	D
539-308	AT181 SCALE, 450MM/18"	1,580.00	D	539-433-30	AT203-1600	3,490.00	D
539-309	AT181 SCALE, 500MM /20"	1,670.00	D	539-434-30	AT203-1700	3,680.00	D
539-310	AT181 SCALE, 550MM /22"	1,750.00	D	539-435-30	AT203-1800	3,850.00	D
539-311	AT181 SCALE, 600MM / 24"	1,810.00	D	539-436-30	AT203-2000	4,210.00	D
539-371-03	AT402E SCALE, 140MM	981.00	D	539-437-30	AT203-2200	4,570.00	D
539-373-00	AT402E-240	924.00	D	539-438-30	AT203-2400	4,930.00	D
539-373-03	AT402E SCALE, 240MM	1,020.00	D	539-439-30	AT203-2500	5,040.00	D
539-374-03	AT402E SCALE, 340MM	1,050.00	D	539-440-30	AT203-2600	5,150.00	D
539-375-03	AT402E SCALE, 440MM	1,080.00	D	539-441-30	AT203-2800	5,390.00	D
539-376-03	AT402E SCALE, 540MM	1,110.00	D	539-442-30	AT203-3000	5,620.00	D
539-377-03	AT402E SCALE, 640MM	1,340.00	D	539-443-30	AT203-3250	6,530.00	D
539-378-02	AT402E SCALE, 740MM	1,490.00	D	539-444-30	AT203-3500	6,970.00	D
539-378-03	AT402E SCALE, 740MM	1,490.00	D	539-445-30	AT203-3750	7,260.00	D
539-379-03	AT402E SCALE, 840MM	1,660.00	D	539-446-30	AT203-4000	7,580.00	D
539-380-02	AT402E SCALE, 940MM	1,930.00	D	539-447-30	AT203-4250	7,960.00	D
539-380-03	AT402E SCALE, 940MM	1,930.00	D	539-448-30	AT203-4500	8,270.00	D
539-381-00	AT402E SCALE, 1040MM	1,800.00	D	539-449-30	AT203-4750	8,610.00	D
539-381-03	AT402E SCALE, 1040MM	1,970.00	D	539-450-30	AT203-5000	8,870.00	D
539-382-03	AT402E SCALE, 1140MM	2,110.00	D	539-451-30	AT203-5250	9,260.00	D
539-383-03	AT402E SCALE, 1240MM	2,270.00	D	539-452-30	AT203-5500	9,560.00	D
539-384-03	AT402E SCALE, 1340MM	2,400.00	D	539-453-30	AT203-5750	9,770.00	D
539-385-03	AT402E SCALE, 1440MM	2,500.00	D	539-454-30	AT203-6000	10,100.00	D
539-386-03	AT402E SCALE, 1540MM	2,590.00	D	539-504	AT332 SCALE, 250MM	2,310.00	D
539-387-03	AT402E SCALE, 1640MM	2,680.00	D	539-517	AT332 SCALE, 1000MM	2,750.00	D
539-388-03	AT402E SCALE, 1740MM	2,760.00	D	539-521	AT332 SCALE, 1400MM	3,150.00	D
539-389-03	AT402E SCALE, 1840MM	2,850.00	D	539-541-30	AT353 SCALE, 100MM	1,970.00	D
539-390-03	AT402E SCALE, 2040MM	3,040.00	D	539-542-30	AT353 SCALE, 150MM	2,020.00	D
539-391-00	AT402E-2240	3,070.00	D	539-543-30	AT353 SCALE, 200MM	2,050.00	D
539-391-03	AT402E SCALE, 2240MM	3,160.00	D	539-544-30	AT353 SCALE, 250MM	2,090.00	D
539-392-03	AT402E SCALE, 2440MM	3,240.00	D	539-545-30	AT353 SCALE, 300MM	2,090.00	D
539-393-03	AT402E SCALE, 2640MM	3,540.00	D	539-546-30	AT353 SCALE, 350MM	2,170.00	D
539-394-03	AT402E SCALE, 2840MM	3,660.00	D	539-547-30	AT353 SCALE, 400MM	2,190.00	D
539-395-03	AT402E SCALE, 3040MM	3,760.00	D	539-547-30NJ2	AT353-400N2/FOR NTC AMERICA	2,190.00	D
539-411-30	AT203-100	1,940.00	D	539-548-30	AT353 SCALE, 450MM	2,190.00	D
539-412-30	AT203-150	1,940.00	D	539-549-30	AT353 SCALE, 500MM	2,210.00	D
539-413-30	AT203-200	1,940.00	D	539-549-30NJ2	AT353-500N2/FOR NTC AMERICA	2,250.00	D
539-414-30	AT203-250	1,940.00	D	539-551-30	AT353 SCALE, 600MM	2,260.00	D
539-415-30	AT203, SCALE, 300MM	2,000.00	D	539-551-30NJ2	AT353-600N2/FOR NTC AMERICA	2,310.00	D

Part No.	Description	Price	Code	Part No.	Description	Price	Code
539-553-30	AT353 SCALE, 700MM	2,330.00	D	539-731-11	AT543A SCALE, 100MM	2,040.00	D
539-553-30NJ2	AT353-700N2/FOR NTC AMERICA	2,360.00	D	539-731-22	AT543E-100-HC	2,280.00	D
539-553-31NJ2	AT353-700RN2/FOR NTC AMERICA	2,360.00	D	539-731-32	AT543E-100-HR	2,520.00	D
539-554-30	AT353 SCALE, 750MM	2,350.00	D	539-731-40	AT543-100-HL	2,520.00	D
539-555-30	AT353 SCALE800MM	2,420.00	D	539-731-41	AT543A-100-HL	2,520.00	D
539-555-30NJ2	AT353-800N2/FOR NTC AMERICA	2,420.00	D	539-731-42	AT543E-100-HL	2,520.00	D
539-556-30	AT353 SCALE, 900MM	2,480.00	D	539-731-62	AT545E-100-HC	2,830.00	D
539-557-30	AT353 SCALE, 1000MM	2,590.00	D	539-731-72	AT545E-100-HR	3,070.00	D
539-557-31NJ2	AT353-1000RN2/FOR NTC AMERIC	2,590.00	D	539-731-82	AT545E-100-HL	3,070.00	D
539-558-30	AT353 SCALE, 1100MM	2,670.00	D	539-732-22	AT543E-150-HC	2,310.00	D
539-559-30	AT353 SCALE, 1200MM	2,760.00	D	539-732-32	AT543E-150-HR	2,540.00	D
539-560-30	AT353 SCALE, 1300MM	2,870.00	D	539-732-40	AT543-150-HL	2,540.00	D
539-561-30	AT353 SCALE, 1400MM	2,990.00	D	539-732-41	AT543A-150-HL	2,540.00	D
539-562-30	AT353 SCALE, 1500MM	3,110.00	D	539-732-42	AT543E-150-HL	2,540.00	D
539-563-30	AT353 SCALE, 1600MM	3,200.00	D	539-732-62	AT545E-150-HC	2,850.00	D
539-564-30	AT353 SCALE, 1700MM	3,320.00	D	539-732-72	AT545E-150-HR	3,090.00	D
539-565-30	AT353 SCALE, 1800MM	3,430.00	D	539-732-82	AT545E-150-HL	3,090.00	D
539-571-30	AT353 SCALE, 2800MM	4,460.00	D	539-733-10	AT543-200-SC	2,030.00	D
539-572-30	AT353 SCALE, 3000MM	4,640.00	D	539-733-11	AT543A SCALE, 200MM	2,090.00	D
539-611-30NJ2	AT343-600N2	2,310.00	D	539-733-22	AT543E-200-HC	2,330.00	D
539-626-30	AT343 SCALE, 2000MM	4,020.00	D	539-733-32	AT543E-200-HR	2,560.00	D
539-701AC1	AT211 SCALE, 100MM	927.00	D	539-733-40	AT543-200-HL	2,560.00	D
539-701AC2	AT211 SCALE, 100MM	847.00	D	539-733-41	AT543A-200-HL	2,560.00	D
539-702AC1	AT211 SCALE, 150MM	927.00	D	539-733-42	AT543E-200-HL	2,560.00	D
539-702AC2	AT211 SCALE, 150MM	847.00	D	539-733-62	AT545E-200-HC	2,870.00	D
539-703AC1	AT211 SCALE, 200MM	955.00	D	539-733-72	AT545E-200-HR	3,120.00	D
539-703AC2	AT211 SCALE, 200MM	936.00	D	539-733-82	AT545E-200-HL	3,120.00	D
539-704AC1	AT211 SCALE, 250MM	983.00	D	539-734-22	AT543E-250-HC	2,360.00	D
539-704AC2	AT211 SCALE, 250MM	894.00	D	539-734-32	AT543E-250-HR	2,600.00	D
539-704B	AT211 SCALE, 250MM	766.00	D	539-734-40	AT543-250-HL	2,600.00	D
539-705AC1	AT211 SCALE, 300MM	983.00	D	539-734-41	AT543A-250-HL	2,600.00	D
539-706AC1	AT211 SCALE, 350MM	1,010.00	D	539-734-42	AT543E-250-HL	2,600.00	D
539-706AC2	AT211 SCALE, 350MM	933.00	D	539-734-62	AT545E-250-HC	2,890.00	D
539-707AC1	AT211 SCALE, 400MM	1,070.00	D	539-734-72	AT545E-250-HR	3,140.00	D
539-707AC2	AT211 SCALE, 400MM	986.00	D	539-734-82	AT545E-250-HL	3,140.00	D
539-708AC1	AT211 SCALE, 450MM	1,140.00	D	539-735-11	AT543A-300-SC	2,160.00	D
539-708AC2	AT211 SCALE, 450MM	1,050.00	D	539-735-22	AT543E-300-HC	2,410.00	D
539-709AC1	AT211 SCALE, 500MM	1,210.00	D	539-735-32	AT543E-300-HR	2,640.00	D
539-709AC2	AT211-0500B1H-U1-AZ	1,100.00	D	539-735-40	AT543-300-HL	2,640.00	D
539-711AC1	AT211 SCALE, 600MM	1,220.00	D	539-735-41	AT543A-300-HL	2,640.00	D
539-713AC1	AT211 SCALE, 700MM	1,300.00	D	539-735-42	AT543E-300-HL	2,640.00	D
539-714AC1	AT211 SCALE, 750MM	1,390.00	D	539-735-62	AT545E-300-HC	2,950.00	D
539-715AC1	AT211 SCALE, 800MM	1,490.00	D	539-735-72	AT545E-300-HR	3,190.00	D
539-716AC1	AT211 SCALE, 900MM	1,600.00	D	539-735-82	AT545E-300-HL	3,190.00	D
539-717AC1	AT211 SCALE, 1000MM	1,780.00	D	539-736-22	AT543E-350-HC	2,470.00	D
539-718AC1	AT211 SCALE, 1100MM	1,800.00	D	539-736-32	AT543E-350-HR	2,710.00	D
539-719AC1	AT211 SCALE, 1200MM	1,820.00	D	539-736-40	AT543-350-HL	2,710.00	D
539-719AC2	AT211 SCALE, 1200MM	1,820.00	D	539-736-41	AT543A-350-HL	2,710.00	D
539-720AC1	AT211 SCALE, 1300MM	1,850.00	D	539-736-42	AT543E-350-HL	2,710.00	D
539-721AC1	AT211 SCALE, 1400MM	1,870.00	D	539-736-62	AT545E-350-HC	3,000.00	D
539-722AC1	AT211 SCALE, 1500MM	1,060.00	D	539-736-72	AT545E-350-HR	3,240.00	D
539-722AC2	AT211 SCALE, 1500MM	1,060.00	D	539-736-82	AT545E-350-HL	3,240.00	D

Part No.	Description	Price	Code	Part No.	Description	Price	Code
539-737-11	AT543A-400-SC	2,280.00	D	539-762-42	AT553E-150-HL	2,540.00	D
539-737-22	AT543E-400-HC	2,520.00	D	539-762-60	AT555-150-HC	3,030.00	D
539-737-62	AT545E-400-HC	3,070.00	D	539-762-62	AT555E-150-HC	2,850.00	D
539-738-22	AT543E-450-HC	2,590.00	D	539-762-70	AT555-150-HR	3,280.00	D
539-738-62	AT545E-450-HC	3,130.00	D	539-762-72	AT555E-150-HR	3,090.00	D
539-739-11	AT543A-500-SC	2,400.00	D	539-762-80	AT555-150-HL	3,280.00	D
539-739-22	AT543E-500-HC	2,640.00	D	539-762-82	AT555E-150-HL	3,090.00	D
539-739-62	AT545E-500-HC	3,190.00	D	539-763-10	AT553-200-SC	1,410.00	D
539-740-22	AT543E-550-HC	2,710.00	D	539-763-20	AT553-200-HC	2,180.00	D
539-740-62	AT545E-550-HC	3,240.00	D	539-763-22	AT553E-200-HC	2,330.00	D
539-741-11	AT543A-600-SC	2,520.00	D	539-763-32	AT553E-200-HR	2,560.00	D
539-741-22	AT543E-600-HC	2,770.00	D	539-763-42	AT553E-200-HL	2,560.00	D
539-741-62	AT545E-600-HC	3,310.00	D	539-763-50	AT555-200-SC	2,720.00	D
539-742-22	AT543E-650-HC	2,830.00	D	539-763-60	AT555-200-HC	3,050.00	D
539-742-62	AT545E-650-HC	3,370.00	D	539-763-62	AT555E-200-HC	2,870.00	D
539-743-11	AT543A-700-SC	2,640.00	D	539-763-70	AT555-200-HR	3,310.00	D
539-743-22	AT543E-700-HC	2,880.00	D	539-763-72	AT555E-200-HR	3,120.00	D
539-743-62	AT545E-700-HC	3,430.00	D	539-763-80	AT555-200-HL	3,310.00	D
539-744-22	AT543E-750-HC	2,950.00	D	539-763-82	AT555E-200-HL	3,120.00	D
539-744-62	AT545E-750-HC	3,490.00	D	539-764-20	AT553-250-HC	2,200.00	D
539-745-11	AT543A-800-SC	2,760.00	D	539-764-22	AT553E-250-HC	2,360.00	D
539-745-22	AT543E-800-HC	3,000.00	D	539-764-32	AT553E-250-HR	2,600.00	D
539-745-62	AT545E-800-HC	3,550.00	D	539-764-42	AT553E-250-HL	2,600.00	D
539-746-11	AT543A-900-SC	2,870.00	D	539-764-60	AT555-250-HC	3,070.00	D
539-746-22	AT543E-900-HC	3,130.00	D	539-764-62	AT555E-250-HC	2,890.00	D
539-746-62	AT545E-900-HC	3,670.00	D	539-764-70	AT555-250-HR	3,330.00	D
539-747-11	AT543A-1000-SC	3,000.00	D	539-764-72	AT555E-250-HR	3,140.00	D
539-747-22	AT543E-1000-HC	3,240.00	D	539-764-80	AT555-250-HL	3,330.00	D
539-747-62	AT545E-1000-HC	3,790.00	D	539-764-82	AT555E-250-HL	3,140.00	D
539-748-11	AT543A-1100-SC	3,000.00	D	539-765-10	AT553-300-SC	1,430.00	D
539-749-11	AT543A-1200-SC	3,230.00	D	539-765-20	AT553-300-HC	2,250.00	D
539-750-11	AT543A-1300-SC	3,370.00	D	539-765-22	AT553E-300-HC	2,410.00	D
539-751-11	AT543A-1400-SC	3,480.00	D	539-765-32	AT553E-300-HR	2,640.00	D
539-752-11	AT543A-1500-SC	3,610.00	D	539-765-42	AT553E-300-HL	2,640.00	D
539-753-11	AT543A-1600-SC	3,610.00	D	539-765-50	AT555-300-SC	2,800.00	D
539-755-11	AT543A-1800-SC	3,970.00	D	539-765-60	AT555-300-HC	3,130.00	D
539-756-11	AT543A-2000-SC	4,200.00	D	539-765-62	AT555E-300-HC	2,950.00	D
539-757-11	AT543A-2200-SC	4,440.00	D	539-765-70	AT555-300-HR	3,390.00	D
539-761-10	AT553-100-SC	1,400.00	D	539-765-72	AT555E-300-HR	3,190.00	D
539-761-20	AT553-100-HC	2,140.00	D	539-765-80	AT555-300-HL	3,390.00	D
539-761-22	AT553E-100-HC	2,280.00	D	539-765-82	AT555E-300-HL	3,190.00	D
539-761-32	AT553E-100-HR	2,520.00	D	539-766-20	AT553-350-HC	2,310.00	D
539-761-42	AT553E-100-HL	2,520.00	D	539-766-22	AT553E-350-HC	2,470.00	D
539-761-50	AT555-100-SC	2,680.00	D	539-766-32	AT553E-350-HR	2,710.00	D
539-761-60	AT555-100-HC	3,000.00	D	539-766-42	AT553E-350-HL	2,710.00	D
539-761-62	AT555E-100-HC	2,830.00	D	539-766-60	AT555-350-HC	3,180.00	D
539-761-70	AT555-100-HR	3,250.00	D	539-766-62	AT555E-350-HC	3,000.00	D
539-761-72	AT555E-100-HR	3,070.00	D	539-766-70	AT555-350-HR	3,440.00	D
539-761-80	AT555-100-HL	3,250.00	D	539-766-72	AT555E-350-HR	3,240.00	D
539-761-82	AT555E-100-HL	3,070.00	D	539-766-80	AT555-350-HL	3,440.00	D
539-762-20	AT553-150-HC	2,160.00	D	539-766-82	AT555E-350-HL	3,240.00	D
539-762-22	AT553E-150-HC	2,310.00	D	539-767-10	AT553-400-SC	1,470.00	D
539-762-32	AT553E-150-HR	2,540.00	D	539-767-20	AT553-400-HC	2,360.00	D

Part No.	Description	Price	Code	Part No.	Description	Price	Code
539-767-22	AT553E-400-HC	2,520.00	D	539-778-50	AT555-1100-SC	3,830.00	D
539-767-50	AT555-400-SC	3,440.00	D	539-779-10	AT553-1200-SC	1,840.00	D
539-767-60	AT555-400-HC	3,250.00	D	539-779-50	AT555-1200-SC	3,960.00	D
539-767-62	AT555E-400-HC	3,070.00	D	539-780-10	AT553-1300-SC	1,920.00	D
539-768-20	AT553-450-HC	2,420.00	D	539-780-50	AT555-1300-SC	4,090.00	D
539-768-22	AT553E-450-HC	2,590.00	D	539-781-10	AT553-1400-SC	2,000.00	D
539-768-60	AT555-450-HC	3,320.00	D	539-781-50	AT555-1400-SC	4,210.00	D
539-768-62	AT555E-450-HC	3,130.00	D	539-782-10	AT553-1500-SC	2,060.00	D
539-769-10	AT553-500-SC	1,510.00	D	539-782-50	AT555-1500-SC	4,340.00	D
539-769-20	AT553-500-HC	2,480.00	D	539-783-10	AT553-1600-SC	2,120.00	D
539-769-22	AT553E-500-HC	2,640.00	D	539-783-50	AT555-1600-SC	4,470.00	D
539-769-50	AT555-500-SC	3,060.00	D	539-785-10	AT553-1800-SC	2,260.00	D
539-769-60	AT555-500-HC	3,390.00	D	539-785-50	AT555-1800-SC	4,720.00	D
539-769-62	AT555E-500-HC	3,190.00	D	539-786-10	AT553-2000-SC	2,380.00	D
539-770-22	AT553E-550-HC	2,710.00	D	539-786-50	AT555-2000-SC	4,970.00	D
539-770-62	AT555E-550-HC	3,240.00	D	539-787-10	AT553-2200-SC	2,490.00	D
539-771-10	AT553-600-SC	1,550.00	D	539-787-50	AT555-2200-SC	5,230.00	D
539-771-20	AT553-600-HC	2,590.00	D	539-801	AT715 LINEAR SCALE, 100MM	296.00	D
539-771-22	AT553E-600-HC	2,770.00	D	539-802	AT715 LINEAR SCALE, 150MM	296.00	D
539-771-50	AT555-600-SC	3,180.00	D	539-803	AT715 LINEAR SCALE, 200 MM	299.00	D
539-771-60	AT555-600-HC	3,510.00	D	539-804	AT715 LINEAR SCALE, 250MM	299.00	D
539-771-62	AT555E-600-HC	3,310.00	D	539-805	AT715 LINEAR SCALE, 300MM	299.00	D
539-772-22	AT553E-650-HC	2,830.00	D	539-806	AT715 LINEAR SCALE, 350MM	302.00	D
539-772-62	AT555E-650-HC	3,370.00	D	539-807	AT715 LINEAR SCALE, 400MM	306.00	D
539-773-10	AT553-700-SC	1,600.00	D	539-808	AT715 LINEAR SCALE, 450MM	312.00	D
539-773-20	AT553-700-HC	2,700.00	D	539-809	AT715 LINEAR SCALE, 500MM	315.00	D
539-773-22	AT553E-700-HC	2,880.00	D	539-811	AT715 LINEAR SCALE, 600MM	321.00	D
539-773-50	AT555-700-SC	3,320.00	D	539-813	AT715 LINEAR SCALE, 700MM	327.00	D
539-773-60	AT555-700-HC	3,640.00	D	539-814	AT715 LINEAR SCALE, 750 MM	332.00	D
539-773-62	AT555E-700-HC	3,430.00	D	539-815	AT715 LINEAR SCALE, 800MM	334.00	D
539-774-20	AT553-750-HC	2,760.00	D	539-816	AT715 LINEAR SCALE, 900MM	365.00	D
539-774-22	AT553E-750-HC	2,950.00	D	539-817	AT715 LINEAR SCALE, 1000 MM	379.00	D
539-774-60	AT555-750-HC	3,700.00	D	539-818	AT715 LINEAR SCALE, 1100 MM	430.00	D
539-774-62	AT555E-750-HC	3,490.00	D	539-819	AT715 LINEAR SCALE, 1200MM	482.00	D
539-775-10	AT553-800-SC	1,650.00	D	539-820	AT715 LINEAR SCALE, 1300MM	535.00	D
539-775-20	AT553-800-HC	2,820.00	D	539-821	AT715 LINEAR SCALE, 1400 MM	585.00	D
539-775-22	AT553E-800-HC	3,000.00	D	539-822	AT715 LINEAR SCALE, 1500MM	649.00	D
539-775-50	AT555-800-SC	3,440.00	D	539-823	AT715 LINEAR SCALE, 1600 MM	727.00	D
539-775-60	AT555-800-HC	3,770.00	D	539-824	AT715 LINEAR SCALE, 1700 MM	803.00	D
539-775-62	AT555E-800-HC	3,550.00	D	539-825	AT715 LINEAR SCALE, 1800 MM	880.00	D
539-776-10	AT553-900-SC	1,700.00	D	539-860	AT715 LINEAR SCALE, 2000MM	1,340.00	D
539-776-20	AT553-900-HC	2,930.00	D	539-861	AT715 LINEAR SCALE, 2200MM	1,430.00	D
539-776-22	AT553E-900-HC	3,130.00	D	539-862	AT715 LINEAR SCALE, 2400MM	1,720.00	D
539-776-50	AT555-900-SC	3,570.00	D	539-863	AT715 LINEAR SCALE, 2500MM	1,760.00	D
539-776-60	AT555-900-HC	3,890.00	D	539-864	AT715 LINEAR SCALE, 2600MM	1,800.00	D
539-776-62	AT555E-900-HC	3,670.00	D	539-865	AT715 LINEAR SCALE, 2800MM	1,920.00	D
539-777-10	AT553-1000-SC	1,760.00	D	539-866	AT715 LINEAR SCALE, 3000MM	2,140.00	D
539-777-20	AT553-1000-HC	3,040.00	D	53AAA375	COUNTER TRAY FOR KA COUNTER	19.95	R
539-777-22	AT553E-1000-HC	3,240.00	D	53AAB746	MACHINE ARM KIT FOR KA	108.00	R
539-777-50	AT555-1000-SC	3,700.00	D	542-007A	EC-101D Counter, 120V	353.00	R
539-777-60	AT555-1000-HC	4,020.00	D	549-701A	MICSYS-SA1	10,100.00	D
539-777-62	AT555E-1000-HC	3,790.00	D	572-200-20	SCALE UNIT, DIG, 100MM	260.00	D
539-778-10	AT553-1100-SC	1,780.00	D	572-201-10	SCALE UNIT, DIG	249.00	D

Part No.	Description	Price	Code	Part No.	Description	Price	Code
572-201-20	SCALE UNIT, DIG, 150MM	249.00	D	572-565	SCALE UNIT, DIG, 600MM	867.00	D
572-202-20	SCALE UNIT, DIG, 200MM	290.00	D	572-566	SCALE UNIT, DIG, 800MM	1,380.00	D
572-203-10	572-203-10	539.00	D	572-567	SCALE UNIT, DIG, 1000MM	1,500.00	D
572-210-20	SCALE UNIT, DIG, 4"/100MM	235.00	D	572-570	SCALE UNIT, DIG, 4"/100MM	494.00	D
572-211-20	SCALE UNIT, DIG, 6"/150MM	249.00	D	572-571	SCALE UNIT, DIG, 6"/150MM	517.00	D
572-212-20	SCALE UNIT, DIG, 8"/200MM	290.00	D	572-572	SCALE UNIT, DIG, 8"/200MM	563.00	D
572-213-10	SCALE UNIT, DIG, 12"/300MM	559.00	D	572-573	SCALE UNIT, DIG, 12"/300MM	647.00	D
572-300-10	SCALE UNIT, DIG, 100MM	260.00	D	572-574	SCALE UNIT, DIG, 18"/450MM	782.00	D
572-301-10	SCALE UNIT, DIG, 150MM	276.00	D	572-575	SCALE UNIT, DIG, 24"/600MM	867.00	D
572-302-10	SCALE UNIT, DIG, 200MM	320.00	D	572-576	SCALE UNIT, DIG, 32"/800MM	1,380.00	D
572-303-10	SCALE UNIT, DIG, 300MM	616.00	D	572-577	SCALE UNIT, DIG 40"/1000MM	1,500.00	D
572-310-10	SCALE UNIT, DIG, 4"/100MM	260.00	D	572-580-10	SCALE UNIT, DIG, 100MM	543.00	D
572-311-10	SCALE UNIT, DIG, 6"/150MM	276.00	D	572-581-10	SCALE UNIT, DIG, 150MM	571.00	D
572-312-10	SCALE UNIT, DIG, 8"/200MM	320.00	D	572-582-10	SCALE UNIT, DIG, 200MM	620.00	D
572-313-10	SCALE UNIT, DIG, 12"/300MM	616.00	D	572-583-10	SCALE UNIT, DIG, 300MM	711.00	D
572-460	SCALE UNIT, DIG, 100MM	494.00	D	572-584-10	SCALE UNIT, DIG, 450MM	861.00	D
572-461	SCALE UNIT, DIG, 150MM	517.00	D	572-585-10	SCALE UNIT, DIG, 600MM	953.00	D
572-462	SD-20E	563.00	D	572-586-10	SCALE UNIT, DIG, 800MM	1,500.00	D
572-463	300MM DM SCALE UNIT/MULTI-FU	647.00	D	572-587-10	SCALE UNIT, DIG, 1000MM	1,680.00	D
572-464	SCALE UNIT, DIG, 450MM	782.00	D	572-590-10	SCALE UNIT, DIG, 4"/100MM	543.00	D
572-465	SCALE UNIT, DIG, 600MM	867.00	D	572-591	SCALE UNIT, DIG,	571.00	D
572-466	SD-80E	1,340.00	D	572-591-10	SCALE UNIT, DIG, 6"/150MM	571.00	D
572-467	SD-100E	1,500.00	D	572-592-10	SCALE UNIT, DIG, 8"/200MM	620.00	D
572-470	SCALE UNIT, DIG, 4"/100MM	494.00	D	572-593-10	SCALE UNIT, DIG, 12"/300MM	711.00	D
572-471	SCALE UNIT, DIG, 6"/150MM	517.00	D	572-594-10	SCALE UNIT, DIG, 18"/450MM	861.00	D
572-472	SCALE UNIT, DIG, 8"/200MM	563.00	D	572-595-10	SCALE UNIT, DIG, 24"/600MM	953.00	D
572-473	SCALE UNIT, DIG, 12"/300MM	647.00	D	572-596-10	SCALE UNIT, DIG, 32"/800MM	1,500.00	D
572-474	SCALE UNIT, DIG, 18"/450MM	782.00	D	572-597-10	SCALE UNIT, DIG,40"/1000MM	1,680.00	D
572-475	SCALE UNIT, DIG, 24"/600MM	867.00	D	572-600	SCALE UNIT, DIG,0-100MM	285.00	D
572-476	SCALE UNIT, DIG, 32"/800MM	1,380.00	D	572-601	SCALE UNIT, DIG,0-150MM	309.00	D
572-477	SCALE UNIT, DIG, 40"/1000MM	1,500.00	D	572-602	SCALE UNIT, DIG,0-200MM	416.00	D
572-480-10	SCALE UNIT, DIG, 100MM	543.00	D	572-610	SCALE UNIT, DIG, 0-4"	284.00	D
572-481-10	SD-15F	571.00	D	572-613	SCALE UNIT, DIG, 4"/100MM	284.00	D
572-482-10	SD-20F	620.00	D	572-614	SCALE UNIT, DIG, 6"/150MM	309.00	D
572-483-10	SCALE UNIT, DIG, 300MM	711.00	D	572-615	SCALE UNIT, DIG, 8"/200MM	416.00	D
572-484-10	SCALE UNIT, DIG, 450MM	861.00	D	579-301-01	ST701A-100A	1,910.00	D
572-485-10	SCALE UNIT, DIG, 600MM	953.00	D	579-301-03	ST703A-100A	2,160.00	D
572-486-10	SCALE UNIT, DIG, 800MM	1,500.00	D	579-301-41	ST741A-100A	1,800.00	D
572-487-10	SCALE UNIT, DIG, 1000MM	1,680.00	D	579-301-42	ST742A-100A	1,800.00	D
572-490	SCALE UNIT, DIG,	543.00	D	579-301-43	ST743A-100A	2,050.00	D
572-490-10	SCALE UNIT, DIG, 4"/100MM	543.00	D	579-301-44	ST744A-100A	2,050.00	D
572-491-10	SCALE UNIT, DIG, 6"/150MM	571.00	D	579-301-53	ST753-100A	2,360.00	D
572-492-10	SCALE UNIT, DIG, 8"/200MM	620.00	D	579-301-81	ST781A-100A	1,850.00	D
572-493-10	SCALE UNIT, DIG, 12"/300MM	711.00	D	579-302-01	ST701A-200A	1,980.00	D
572-494-10	SCALE UNIT, DIG, 18"/450MM	861.00	D	579-302-03	ST703A-200A	2,220.00	D
572-495-10	SCALE UNIT, DIG, 24"/600MM	953.00	D	579-302-41	ST741A-200A	1,850.00	D
572-496-10	SCALE UNIT, DIG, 32"/800MM	1,500.00	D	579-302-42	ST742A-200A	1,850.00	D
572-497-10	SCALE UNIT, DIG,40"/1000MM	1,680.00	D	579-302-43	ST743A-200A	2,110.00	D
572-560	SCALE UNIT, DIG, 100MM	494.00	D	579-302-44	ST744A-200A	2,110.00	D
572-561	SCALE UNIT, DIG, 150MM	517.00	D	579-302-53	ST753-200A	2,420.00	D
572-562	SCALE UNIT, DIG, 200MM	563.00	D	579-302-81	ST781A-200A	1,910.00	D
572-563	300MM DM SCALE UNIT/MULTI-FU	647.00	D	579-302L48	ST748A-200A-L	1,850.00	D
572-564	SCALE UNIT, DIG, 450MM	782.00	D	579-303-01	ST701A-300A	2,040.00	D

Part No.	Description	Price	Code	Part No.	Description	Price	Code
579-303-03	ST703A-300A	2,290.00	D	579-309-42	ST742A-900A	2,640.00	D
579-303-41	ST741A-300A	1,920.00	D	579-309-43	ST743A-900A	2,890.00	D
579-303-42	ST742A-300A	1,920.00	D	579-309-44	ST744A-900A	2,890.00	D
579-303-43	ST743A-300A	2,170.00	D	579-309-53	ST753-900A	3,250.00	D
579-303-44	ST744A-300A	2,170.00	D	579-309-81	ST781A-900A	2,710.00	D
579-303-53	ST753-300A	2,490.00	D	579-309D48	ST748A-900A-D	2,640.00	D
579-303-81	ST781A-300A	1,980.00	D	579-310-01	ST701A-1000A	2,940.00	D
579-304-01	ST701A-400A	2,170.00	D	579-310-03	ST703A-1000A	3,180.00	D
579-304-03	ST703A-400A	2,420.00	D	579-310-41	ST741A-1000A	2,760.00	D
579-304-41	ST741A-400A	2,040.00	D	579-310-42	ST742A-1000A	2,760.00	D
579-304-42	ST742A-400A	20,400.00	D	579-310-43	ST743A-1000A	3,020.00	D
579-304-43	ST743A-400A	2,280.00	D	579-310-44	ST744A-1000A	3,020.00	D
579-304-44	ST744A-400A	2,280.00	D	579-310-53	ST753-1000A	3,390.00	D
579-304-53	ST753-400A	2,620.00	D	579-310-81	ST781A-1000A	2,840.00	D
579-304-81	ST781A-400A	2,100.00	D	579-310-82	ST782A-1000A	2,840.00	D
579-305-01	ST701A-500A	2,290.00	D	579-310-83	ST783A-1000A	3,090.00	D
579-305-03	ST703A-500A	2,540.00	D	579-310-84	ST784A-1000A	3,090.00	D
579-305-41	ST741A-500A	2,160.00	D	579-311-01	ST701A-1100A	3,060.00	D
579-305-42	ST742A-500A	2,160.00	D	579-311-41	ST741A-1100A	2,870.00	D
579-305-43	ST743A-500A	2,410.00	D	579-311-42	ST742A-1100A	2,870.00	D
579-305-44	ST744A-500A	2,410.00	D	579-311-43	ST743A-1100A	3,130.00	D
579-305-53	ST753-500A	2,750.00	D	579-311-44	ST744A-1100A	3,130.00	D
579-305-81	ST781A-500A	2,210.00	D	579-311-53	ST753-1100A	3,510.00	D
579-305-82	ST782A-500A	2,210.00	D	579-311-81	ST781A-1100A	2,970.00	D
579-306-01	ST701A-600A	2,420.00	D	579-312-01	ST701A-1200A	3,180.00	D
579-306-03	ST703A-600A	2,680.00	D	579-312-41	ST741A-1200A	3,000.00	D
579-306-41	ST741A-600A	2,280.00	D	579-312-42	ST742A-1200A	3,000.00	D
579-306-42	ST742A-600A	2,280.00	D	579-312-43	ST743A-1200A	3,250.00	D
579-306-43	ST743A-600A	2,530.00	D	579-312-44	ST744A-1200A	3,250.00	D
579-306-44	ST744A-600A	2,530.00	D	579-312-53	ST753-1200A	3,640.00	D
579-306-53	ST753-600A	2,870.00	D	579-312-81	ST781A-1200A	3,090.00	D
579-306-81	ST781A-600A	2,350.00	D	579-312-82	ST782A-1200A	3,090.00	D
579-306-82	ST782A-600A	2,350.00	D	579-313-01	ST701A-1300A	3,320.00	D
579-307-01	ST701A-700A	2,550.00	D	579-313-41	ST741A-1300A	3,120.00	D
579-307-03	ST703A-700A	2,800.00	D	579-313-42	ST742A-1300A	3,120.00	D
579-307-41	ST741A-700A	2,400.00	D	579-313-43	ST743A-1300A	3,380.00	D
579-307-42	ST742A-700A	2,400.00	D	579-313-44	ST744A-1300A	3,380.00	D
579-307-43	ST743A-700A	2,640.00	D	579-313-53	ST753-1300A	3,770.00	D
579-307-44	ST744A-700A	2,640.00	D	579-313-81	ST781A-1300A	3,210.00	D
579-307-53	ST753-700A	3,000.00	D	579-314-01	ST701A-1400A	3,440.00	D
579-307-81	ST781A-700A	2,470.00	D	579-314-41	ST741A-1400A	3,230.00	D
579-308-01	ST701A-800A	2,680.00	D	579-314-42	ST742A-1400A	3,230.00	D
579-308-03	ST703A-800A	2,930.00	D	579-314-43	ST743A-1400A	3,490.00	D
579-308-41	ST741A-800A	2,520.00	D	579-314-44	ST744A-1400A	3,490.00	D
579-308-42	ST742A-800A	2,520.00	D	579-314-53	ST753-1400A	3,890.00	D
579-308-43	ST743A-800A	2,770.00	D	579-314-81	ST781A-1400A	3,340.00	D
579-308-44	ST744A-800A	2,770.00	D	579-315-01	ST701A-1500A	3,570.00	D
579-308-53	ST753-800A	3,130.00	D	579-315-41	ST741A-1500A	3,370.00	D
579-308-81	ST781A-800A	2,530.00	D	579-315-42	ST742A-1500A	3,370.00	D
579-308-82	ST782A-800A	2,530.00	D	579-315-43	ST743A-1500A	3,620.00	D
579-309-01	ST701A-900A	2,800.00	D	579-315-44	ST744A-1500A	3,620.00	D
579-309-03	ST703A-900A	3,060.00	D	579-315-53	ST753-1500A	4,020.00	D
579-309-41	ST741A-900A	2,640.00	D	579-315-81	ST781A-1500A	3,450.00	D

Part No.	Description	Price	Code	Part No.	Description	Price	Code
579-315-82	ST782A-1500A	3,450.00	D	579-323-43	ST743A-2300A	5,050.00	D
579-316-01	ST701A-1600A	3,700.00	D	579-323-44	ST744A-2300A	5,050.00	D
579-316-41	ST741A-1600A	3,480.00	D	579-323-53	ST753-2300A	5,550.00	D
579-316-42	ST742A-1600A	3,480.00	D	579-323-81	ST781A-2300A	4,940.00	D
579-316-43	ST743A-1600A	3,740.00	D	579-324-01	ST701A-2400A	5,230.00	D
579-316-44	ST744A-1600A	3,740.00	D	579-324-41	ST741A-2400A	4,920.00	D
579-316-53	ST753-1600A	4,150.00	D	579-324-42	ST742A-2400A	4,920.00	D
579-316-81	ST781A-1600A	3,580.00	D	579-324-43	ST743A-2400A	5,180.00	D
579-317-01	ST701A-1700A	3,830.00	D	579-324-44	ST744A-2400A	5,180.00	D
579-317-41	ST741A-1700A	3,610.00	D	579-324-53	ST753-2400A	5,690.00	D
579-317-42	ST742A-1700A	3,610.00	D	579-324-81	ST781A-2400A	5,070.00	D
579-317-43	ST743A-1700A	3,850.00	D	579-325-01	ST701A-2500A	5,360.00	D
579-317-44	ST744A-1700A	3,850.00	D	579-325-41	ST741A-2500A	5,040.00	D
579-317-53	ST753-1700A	4,270.00	D	579-325-42	ST742A-2500A	5,040.00	D
579-317-81	ST781A-1700A	3,720.00	D	579-325-43	ST743A-2500A	5,300.00	D
579-318-01	ST701A-1800A	3,960.00	D	579-325-44	ST744A-2500A	5,300.00	D
579-318-41	ST741A-1800A	3,730.00	D	579-325-53	ST753-2500A	5,800.00	D
579-318-42	ST742A-1800A	3,730.00	D	579-325-81	ST781A-2500A	5,190.00	D
579-318-43	ST743A-1800A	3,980.00	D	579-326-01	ST701A-2600A	5,490.00	D
579-318-44	ST744A-1800A	3,980.00	D	579-326-41	ST741A-2600A	5,160.00	D
579-318-53	ST753-1800A	4,400.00	D	579-326-42	ST742A-2600A	5,160.00	D
579-318-81	ST781A-1800A	3,830.00	D	579-326-43	ST743A-2600A	5,420.00	D
579-319-01	ST701A-1900A	4,590.00	D	579-326-44	ST744A-2600A	5,420.00	D
579-319-41	ST741A-2200A	4,330.00	D	579-326-53	ST753-2600A	5,930.00	D
579-319-42	ST742A-1900A	4,330.00	D	579-326-81	ST781A-2600A	5,310.00	D
579-319-43	ST743A-1900A	4,580.00	D	579-327-01	ST701A-2700A	5,610.00	D
579-319-44	ST744A-1900A	4,580.00	D	579-327-41	ST741A-2700A	5,270.00	D
579-319-53	ST753-1900A	5,040.00	D	579-327-42	ST742A-2700A	5,270.00	D
579-319-81	ST781A-1900A	4,460.00	D	579-327-43	ST743A-2700A	5,540.00	D
579-320-01	ST701A-2000A	4,720.00	D	579-327-44	ST744A-2700A	5,540.00	D
579-320-41	ST741A-2200A	4,440.00	D	579-327-53	ST753-2700A	6,070.00	D
579-320-42	ST742A-2000A	4,440.00	D	579-327-81	ST781A-2700A	5,430.00	D
579-320-43	ST743A-2000A	4,700.00	D	579-328-01	ST701A-2800A	5,740.00	D
579-320-44	ST744A-2000A	4,700.00	D	579-328-41	ST741A-2800A	5,400.00	D
579-320-53	ST753-2000A	5,170.00	D	579-328-42	ST742A-2800A	5,400.00	D
579-320-81	ST781A-2000A	4,570.00	D	579-328-43	ST743A-2800A	5,670.00	D
579-321-01	ST701A-2100A	4,850.00	D	579-328-44	ST744A-2800A	5,670.00	D
579-321-41	ST741A-2200A	4,560.00	D	579-328-53	ST753-2800A	6,200.00	D
579-321-42	ST742A-2100A	4,560.00	D	579-328-81	ST781A-2800A	5,550.00	D
579-321-43	ST743A-2100A	4,820.00	D	579-328L48	579-328R48/ST748A-2800A-R	5,670.00	D
579-321-44	ST744A-2100A	4,820.00	D	579-328R48	579-328L48/ST748A-2800A-L	5,670.00	D
579-321-53	ST753-2100A	5,300.00	D	579-329-01	ST701A-2900A	5,870.00	D
579-321-81	ST781A-2100A	4,700.00	D	579-329-41	ST741A-2900A	5,520.00	D
579-322-01	ST701A-2200A	4,970.00	D	579-329-42	ST742A-2900A	5,520.00	D
579-322-41	ST741A-2200A	4,680.00	D	579-329-43	ST743A-2900A	5,780.00	D
579-322-42	ST742A-2200A	4,680.00	D	579-329-44	ST744A-2900A	5,780.00	D
579-322-43	ST743A-2200A	4,940.00	D	579-329-53	ST753-2900A	6,310.00	D
579-322-44	ST744A-2200A	4,940.00	D	579-329-81	ST781A-2900A	5,690.00	D
579-322-53	ST753-2200A	5,420.00	D	579-330-01	ST701A-3000A	5,990.00	D
579-322-81	ST781A-2200A	4,820.00	D	579-330-41	ST741A-3000A	5,630.00	D
579-323-01	ST701A-2300A	5,100.00	D	579-330-42	ST742A-3000A	5,630.00	D
579-323-41	ST741A-2300A	4,800.00	D	579-330-43	ST743A-3000A	5,900.00	D
579-323-42	ST742A-2300A	4,800.00	D				

Part No.	Description	Price	Code	Part No.	Description	Price	Code
579-330-44	ST744A-3000A	5,900.00	D	579-338-41	ST741AL-4600A	9,220.00	D
579-330-53	ST753-3000A	6,450.00	D	579-338-42	ST742AL-4600A	9,220.00	D
579-330-81	ST781A-3000A	5,800.00	D	579-338-43	ST743AL-4600A	9,460.00	D
579-331-01	ST701AL-3200A	7,770.00	D	579-338-44	ST744AL-4600A	9,460.00	D
579-331-41	ST741AL-3200A	7,210.00	D	579-338-53	ST753L-4600A	10,300.00	D
579-331-42	ST742AL-3200A	7,210.00	D	579-338-81	ST781A-4600A	9,630.00	D
579-331-43	ST743AL-3200A	7,450.00	D	579-339-01	ST701AL-4800A	10,400.00	D
579-331-44	ST744AL-3200A	7,450.00	D	579-339-41	ST741AL-4800A	9,690.00	D
579-331-53	ST753L-3200A	8,160.00	D	579-339-42	ST742AL-4800A	9,690.00	D
579-331-81	ST781A-3200A	7,540.00	D	579-339-43	ST743AL-4800A	9,920.00	D
579-332-01	ST701AL-3400A	8,010.00	D	579-339-44	ST744AL-4800A	9,920.00	D
579-332-41	ST741AL-3400A	7,450.00	D	579-339-53	ST753L-4800A	10,800.00	D
579-332-42	ST742AL-3400A	7,450.00	D	579-339-81	ST781A-4800A	10,100.00	D
579-332-43	ST743AL-3400A	7,680.00	D	579-340-01	ST701AL-5000A	11,400.00	D
579-332-44	ST744AL-3400A	7,680.00	D	579-340-41	ST741AL-5000A	10,600.00	D
579-332-53	ST753L-3400A	8,420.00	D	579-340-42	ST742AL-5000A	10,600.00	D
579-332-81	ST781A-3400A	7,780.00	D	579-340-43	ST743AL-5000A	10,800.00	D
579-333-01	ST701AL-3600A	8,270.00	D	579-340-44	ST744AL-5000A	10,800.00	D
579-333-41	ST741AL-3600A	7,680.00	D	579-340-53	ST753L-5000A	11,700.00	D
579-333-42	ST742AL-3600A	7,680.00	D	579-340-81	ST781A-5000A	11,100.00	D
579-333-43	ST743AL-3600A	7,920.00	D	579-341-01	ST701AL-5200A	11,400.00	D
579-333-44	ST744AL-3600A	7,920.00	D	579-341-41	ST741AL-5200A	11,100.00	D
579-333-53	ST753L-3600A	8,670.00	D	579-341-42	ST742AL-5200A	11,100.00	D
579-333-81	ST781A-3600A	8,030.00	D	579-341-43	ST743AL-5200A	11,300.00	D
579-334-01	ST701AL-3800A	8,520.00	D	579-341-44	ST744AL-5200A	11,300.00	D
579-334-41	ST741AL-3800A	7,920.00	D	579-341-53	ST753L-5200A	12,300.00	D
579-334-42	ST742AL-3800A	7,920.00	D	579-341-81	ST781A-5200A	11,600.00	D
579-334-43	ST743AL-3800A	8,160.00	D	579-342-01	ST701AL-5400A	12,500.00	D
579-334-44	ST744AL-3800A	8,160.00	D	579-342-41	ST741AL-5400A	11,500.00	D
579-334-53	ST753L-3800A	8,930.00	D	579-342-42	ST742AL-5400A	11,500.00	D
579-334-81	ST781A-3800A	8,270.00	D	579-342-43	ST743AL-5400A	11,700.00	D
579-335-01	ST701AL-4000A	8,780.00	D	579-342-44	ST744AL-5400A	11,700.00	D
579-335-41	ST741AL-4000A	8,160.00	D	579-342-53	ST753L-5400A	12,900.00	D
579-335-42	ST742AL-4000A	8,160.00	D	579-342-81	ST781A-5400A	12,100.00	D
579-335-43	ST743AL-4000A	8,390.00	D	579-343-01	ST701AL-5600A	13,400.00	D
579-335-44	ST744AL-4000A	8,390.00	D	579-343-41	ST741AL-5600A	12,200.00	D
579-335-53	ST753L-4000A	9,180.00	D	579-343-42	ST742AL-5600A	12,200.00	D
579-335-81	ST781A-4000A	8,520.00	D	579-343-43	ST743AL-5600A	12,600.00	D
579-336-01	ST701AL-4200A	9,290.00	D	579-343-44	ST744AL-5600A	12,600.00	D
579-336-41	ST741AL-4200A	8,630.00	D	579-343-53	ST753L-5600A	13,700.00	D
579-336-42	ST742AL-4200A	8,630.00	D	579-343-81	ST781A-5600A	12,900.00	D
579-336-43	ST743AL-4200A	8,870.00	D	579-344-01	ST701AL-5800A	14,300.00	D
579-336-44	ST744AL-4200A	8,870.00	D	579-344-41	ST741AL-5800A	13,300.00	D
579-336-53	ST753L-4200A	9,690.00	D	579-344-42	ST742AL-5800A	13,300.00	D
579-336-81	ST781A-4200A	9,020.00	D	579-344-43	ST743AL-5800A	13,500.00	D
579-337-01	ST701AL-4400A	9,540.00	D	579-344-44	ST744AL-5800A	13,500.00	D
579-337-41	ST741AL-4400A	8,870.00	D	579-344-53	ST753L-5800A	14,600.00	D
579-337-42	ST742AL-4400A	8,870.00	D	579-344-81	ST781A-5800A	14,000.00	D
579-337-43	ST743AL-4400A	9,110.00	D	579-345-01	ST701AL-6000A	15,200.00	D
579-337-44	ST744AL-4400A	9,110.00	D	579-345-41	ST741AL-6000A	14,200.00	D
579-337-53	ST753L-4400A	9,950.00	D	579-345-42	ST742AL-6000A	14,200.00	D
579-337-81	ST781A-4400A	9,260.00	D	579-345-43	ST743AL-6000A	14,400.00	D
579-338-01	ST701AL-4600A	9,920.00	D	579-345-44	ST744AL-6000A	14,400.00	D

Part No.	Description	Price	Code	Part No.	Description	Price	Code
579-345-53	ST753L-6000A	15,600.00	D	64PKA032	GRINDER PKG, 10" X 24"	1,620.00	D
579-345-81	ST781A-6000A	14,800.00	D	64PKA033	GRINDER PKG, 12" X 18"	1,620.00	D
579-631	ST422-10	1,300.00	D	64PKA034	GRINDER PKG, 12" X 20"	1,620.00	D
579-632	ST422-25	1,310.00	D	64PKA035	LATHE PKG, 28" X 6"	1,680.00	D
579-633	ST422-50	1,330.00	D	64PKA036	LATHE PKG, 30" X 6"	1,680.00	D
579-634	ST422-75	1,340.00	D	64PKA037	LATHE PKG, 36" X 6"	1,680.00	D
579-635	ST422-100	1,350.00	D	64PKA038	LATHE PKG, 40" X 6"	1,680.00	D
579-636	ST422-150	1,380.00	D	64PKA039	LATHE PKG, 40" X 8"	1,680.00	D
579-637	ST422-200	1,400.00	D	64PKA040	LATHE PKG, 44" X 8"	2,040.00	D
579-638	ST422-250	1,450.00	D	64PKA041	LATHE PKG, 48" X 8"	2,040.00	D
579-639	ST422-300	1,480.00	D	64PKA042	LATHE PKG, 40" X 10"	1,680.00	D
579-640	ST422-350	1,510.00	D	64PKA043	LATHE PKG, 44" X 10"	2,040.00	D
579-641	ST422-400	1,560.00	D	64PKA044	LATHE PKG, 48" X 10"	2,040.00	D
579-642	ST422-450	1,600.00	D	64PKA045	LATHE PKG, 60" X 10"	2,040.00	D
579-643	ST422-500	1,630.00	D	64PKA046	LATHE PKG, 40" X 12"	1,680.00	D
579-644	ST422-600	1,700.00	D	64PKA047	LATHE PKG, 44" X 12"	2,040.00	D
579-645	ST422-700	1,770.00	D	64PKA048	LATHE PKG, 48" X 12"	2,040.00	D
579-646	ST422-800	1,780.00	D	64PKA049	LATHE PKG, 52" X 12"	2,040.00	D
579-647	ST422-900	1,830.00	D	64PKA050	LATHE PKG, 60" X 12"	2,040.00	D
579-648	ST422-1000	1,910.00	D	64PKA051	LATHE PKG, 72" X 12"	2,040.00	D
579-649	ST422-1100	2,060.00	D	64PKA052	LATHE PKG, 40" X 14"	1,680.00	D
64AAB153	DUST PROOF LIP SEAL, STD TYPE, 20"	\$5.05	G	64PKA053	LATHE PKG, 44" X 14"	2,040.00	D
64AAB154	DUST PROOF LIP SEAL, STD TYPE, 40"	\$10.50	G	64PKA054	LATHE PKG, 48" X 14"	2,040.00	D
64AAB155	DUST PROOF LIP SEAL, STD TYPE, 60"	\$15.90	G	64PKA055	LATHE PKG, 52" X 14"	2,040.00	D
64AAB156	DUST PROOF LIP SEAL, STD TYPE, 80"	\$21.20	G	64PKA056	LATHE PKG, 60" X 14"	2,040.00	D
64AAB157	DUST PROOF LIP SEAL, STD TYPE, 100"	\$27.15	G	64PKA057	LATHE PKG, 60" X 16"	2,040.00	D
64AAB158	DUST PROOF LIP SEAL, STD TYPE, 120"	\$32.05	G	64PKA058	MILL PKG, 12" X 30"	1,490.00	D
64AAB159	DUST PROOF LIP SEAL, STD TYPE, 140"	\$35.65	G	64PKA059	MILL PKG, 12" X 36"	1,490.00	D
64AAB160	DUST PROOF LIP SEAL, STD TYPE, 160"	\$40.00	G	64PKA060	MILL PKG, 14" X 30"	1,490.00	D
64AAB161	DUST PROOF LIP SEAL, STD TYPE, 180"	\$44.90	G	64PKA061	MILL PKG, 14" X 40"	1,490.00	D
64AAB162	DUST PROOF LIP SEAL, STD TYPE, 200"	\$49.65	G	64PKA062	MILL PKG, 16" X 36"	1,490.00	D
64AAB163	DUST PROOF LIP SEAL, STD TYPE, 220"	\$54.60	G	64PKA063	MILL PKG, 16" X 40"	1,490.00	D
64AAB164	DUST PROOF LIP SEAL, STD TYPE, 240"	\$59.50	G	64PKA064	MILL PKG, 18" X 40"	1,490.00	D
64AAB165	DUST PROOF LIP SEAL, SLIM TYPE, 20"	\$9.95	G	64PKA065	MILL PKG, 3-AXIS, 12" X 30"	2,220.00	D
64AAB166	DUST PROOF LIP SEAL, SLIM TYPE, 40"	\$19.20	G	64PKA066	MILL PKG, 3-AXIS, 12" X 36"	2,220.00	D
64AAB167	DUST PROOF LIP SEAL, SLIM TYPE, 60"	\$25.90	G	64PKA067	MILL PKG, 3-AXIS, 16" X 36"	2,220.00	D
64AAB191	BRACKET KIT FOR LATHE	186.00	R	965004	RS-232C EXT.LOAD FOOT SWITC	131.00	R
64AAB192	BRACKET KIT FOR Z-AXIS	129.00	R				
64AAB193	BRACKET KIT FOR BRIDGEPORT	141.00	R				
64AAB194	BRACKET KIT	275.00	R				
64AAB195	BRACKET KIT FOR BRIDGEPORT	155.00	R				
64AAB196	BRACKET KIT, UNIVERSAL	164.00	R				
64AAB197	BRACKET KIT, UNIVERSAL	167.00	R				
64AAB198	BRACKET KIT, UNIVERSAL	180.00	R				
64AAB199	SCREW KIT	46.40	R				
64AAB200	MACHINE ARM KIT	138.00	R				
64AAB336	EXTERNAL LOAD FOOTSWITCH FO	77.30	C				
64PKA026	GRINDER PKG, 6" X 12"	1,620.00	D				
64PKA027	GRINDER PKG, 6" X 14"	1,620.00	D				
64PKA028	GRINDER PKG, 8" X 12"	1,620.00	D				
64PKA029	GRINDER PKG, 8" X 14"	1,620.00	D				
64PKA030	GRINDER PKG, 8" X 16"	1,620.00	D				
64PKA031	GRINDER PKG, 10" X 18"	1,620.00	D				

Distributed by:

Note: All information regarding our products, and in particular the illustrations, drawings, dimensional and performance data contained in this printed matter as well as other technical data are to be regarded as approximate average values. We therefore reserve the right to make changes to the corresponding designs. The stated standards, similar technical regulations, descriptions and illustrations of the products were valid at the time of printing. In addition, the latest applicable version of our General Trading Conditions will apply. Only quotations submitted by ourselves may be regarded as definitive.

This product is subject to US Export Administration Regulations (EAR). Re-export or relocation of this product may require prior approval by an appropriate governing authority.

Trademarks and Registrations

Designations used by companies to distinguish their products are often claimed as trademarks. In all instances where Mitutoyo America Corporation is aware of a claim, the product names appear in initial capital or all capital letters. The appropriate companies should be contacted for more complete trademark and registration information.



Mitutoyo America Corporation

www.mitutoyo.com

One Number to Serve You Better

1-888-MITUTOYO (1-888-648-8869)

M³ Solution Centers:

Aurora, Illinois

(Corporate Headquarters)

Westford, Massachusetts

Huntersville, North Carolina

Mason, Ohio

Plymouth, Michigan

City of Industry, California

Birmingham, Alabama

Renton, Washington

Mitutoyo
Precision is our Profession