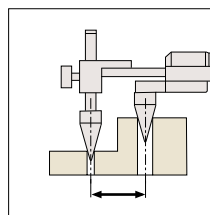
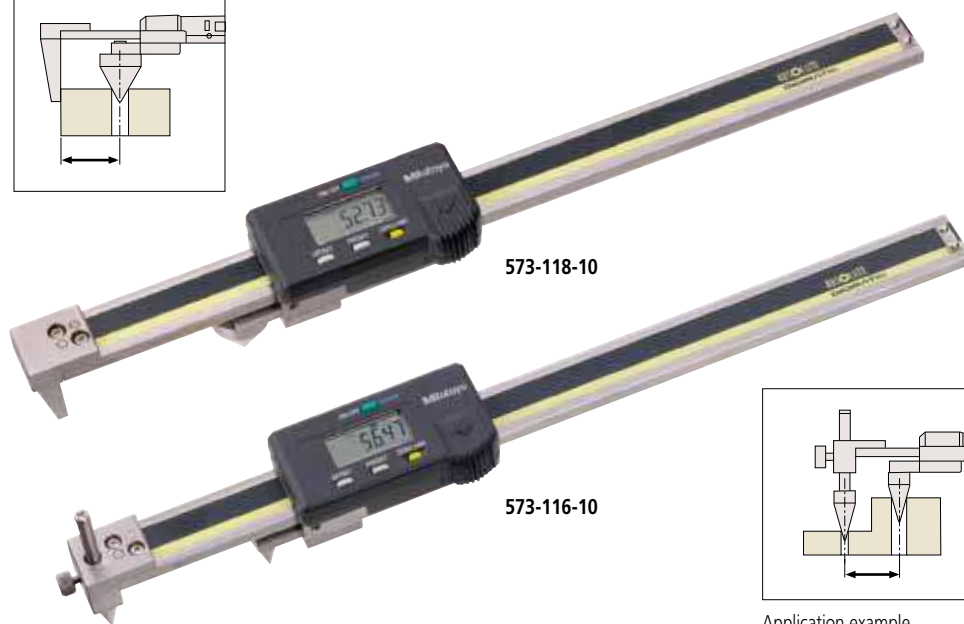
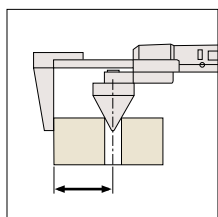


Calipers

SERIES 573 – ABSOLUTE Digimatic Back Jaw Centreline Caliper

- Specially designed to measure hole Centre-to-Centre and Edge-to-Centre distances.
- Provided with jaws on the back of the slider, measurements can be read easily from above.
- Direct reading of pitch measurements is possible due to the offset-value setting function.
- Data output function allows integration into statistical process control and measurement systems.
- Dedicated calibration inspection tools are available.

ABSOLUTE



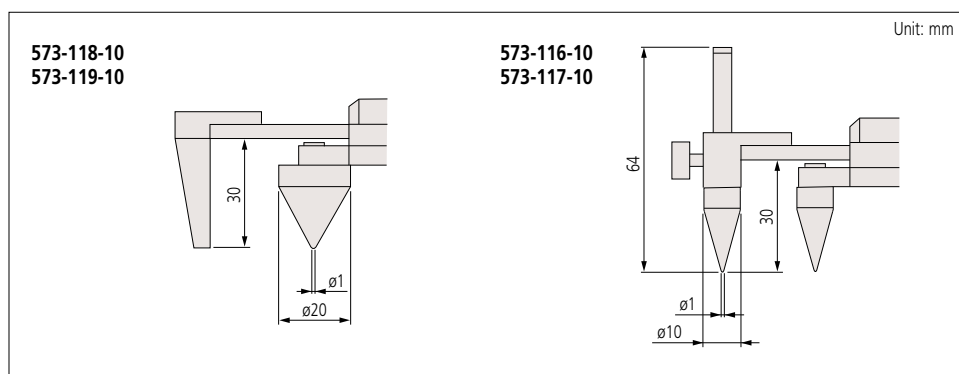
Application example

SPECIFICATIONS

Metric				
Code No.	Range	Resolution	Accuracy*1	Price
Edge-to-Centre type				
573-118-10	10-200 mm	0.01 mm	±0.1 mm	£700.00
573-119-10	10-300 mm		±0.15 mm	£840.00
Centre-to-Centre type				
573-116-10	10-200 mm	0.01 mm	±0.1 mm	£700.00
573-117-10	10-300 mm		±0.15 mm	£840.00

*1 Excluding quantizing error.

DIMENSIONS



Technical Data

Scale type: ABSOLUTE electrostatic linear encoder
 Max. response speed: Unlimited
 Battery: SR44 (1 pc.), **938882**
 Battery life: Approx. 3.5 years under normal use

Optional Accessories

- 959143:** Data hold unit
£17.00
- 959149:** SPC data cable with pushbutton (1 m)
£34.60
- 959150:** SPC data cable with pushbutton (2 m)
£39.40
- 06ADV380C:** USB Input Tool Direct USB-ITN-C (2 m)
£90.80
- 02AZD790C:** SPC data cable for U-WAVE-T (160 mm)
£52.20
- 02AZE140C:** SPC data cable for U-WAVE-T and footswitch (160/500 mm)
£114.00
- 05FAJ735:** Centreline caliper inspection gauge
£875.00

